



US00D470345S

(12) **United States Design Patent**  
**Muller**

(10) **Patent No.:** **US D470,345 S**

(45) **Date of Patent:** **\*\* Feb. 18, 2003**

(54) **COCKTAIL TABLE**

D389,674 S \* 1/1998 Muller ..... D6/482  
D408,652 S \* 4/1999 Muller ..... D6/436

(75) Inventor: **Carl Muller**, Huntington Beach, CA  
(US)

\* cited by examiner

(73) Assignee: **Elite Manufacturing Corporation**,  
Santa Fe Springs, CA (US)

*Primary Examiner*—Janice E. Seeger  
(74) *Attorney, Agent, or Firm*—George W. Finch

(\*\*) Term: **14 Years**

(57) **CLAIM**

The ornamental design for a cocktail table, as shown.

(21) Appl. No.: **29/158,955**

(22) Filed: **Apr. 13, 2002**

**DESCRIPTION**

(51) **LOC (7) Cl.** ..... **06-03**

(52) **U.S. Cl.** ..... **D6/482; D6/477**

(58) **Field of Search** ..... D6/480–489, 495,  
D6/436, 477; 108/150, 153.1, 155, 156,  
161, 157.1; 248/188, 188.1, 188.8

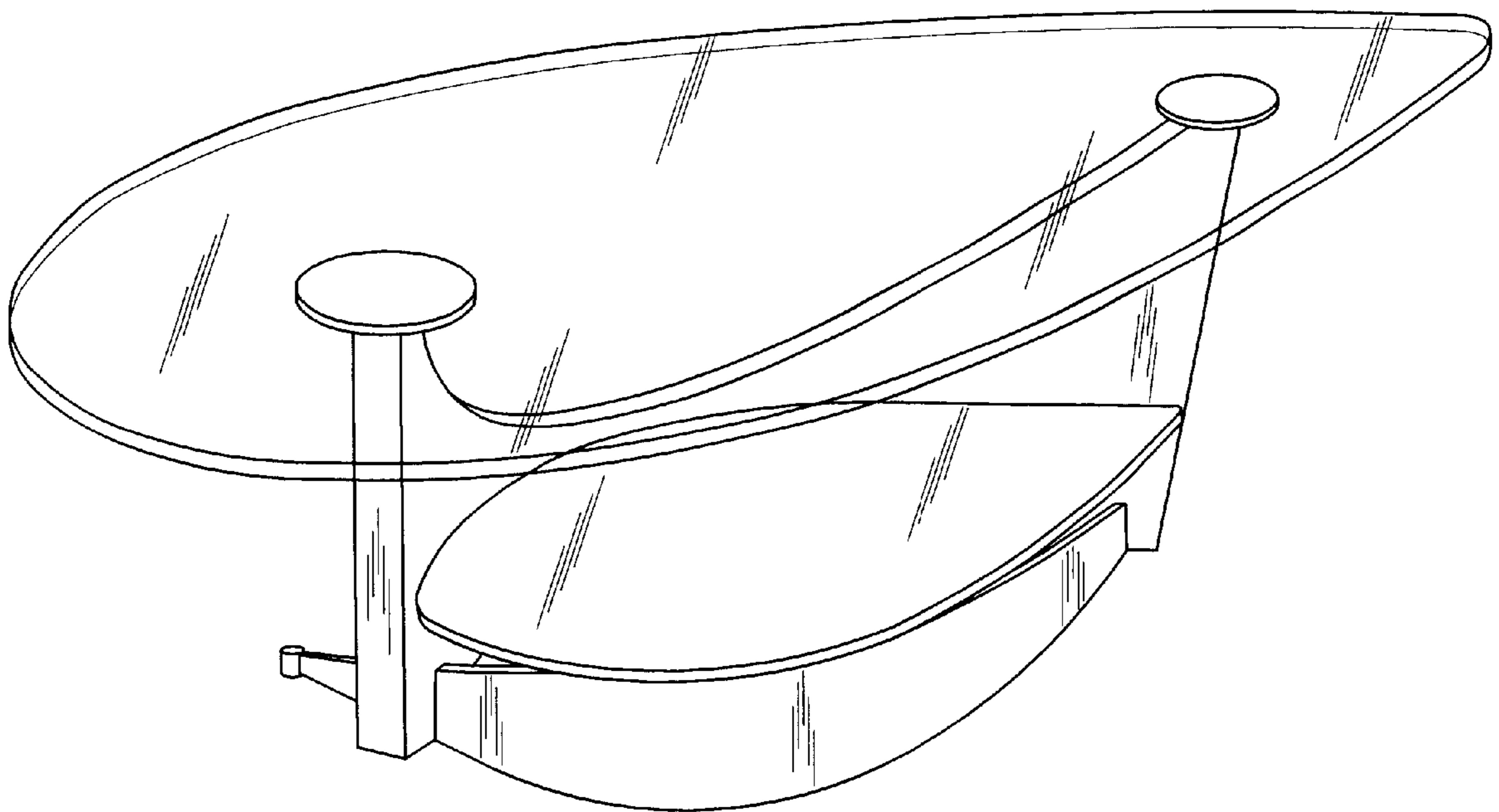
FIG. 1 is a perspective view showing the front side, right side, and top of the ornamental design;  
FIG. 2 is a front elevational view of the same;  
FIG. 3 is a back elevational view of the same;  
FIG. 4 is a right side view of the same;  
FIG. 5 is a left side view of the same;  
FIG. 6 is a top plan view of the same; and,  
FIG. 7 is an underside view of the same.

(56) **References Cited**

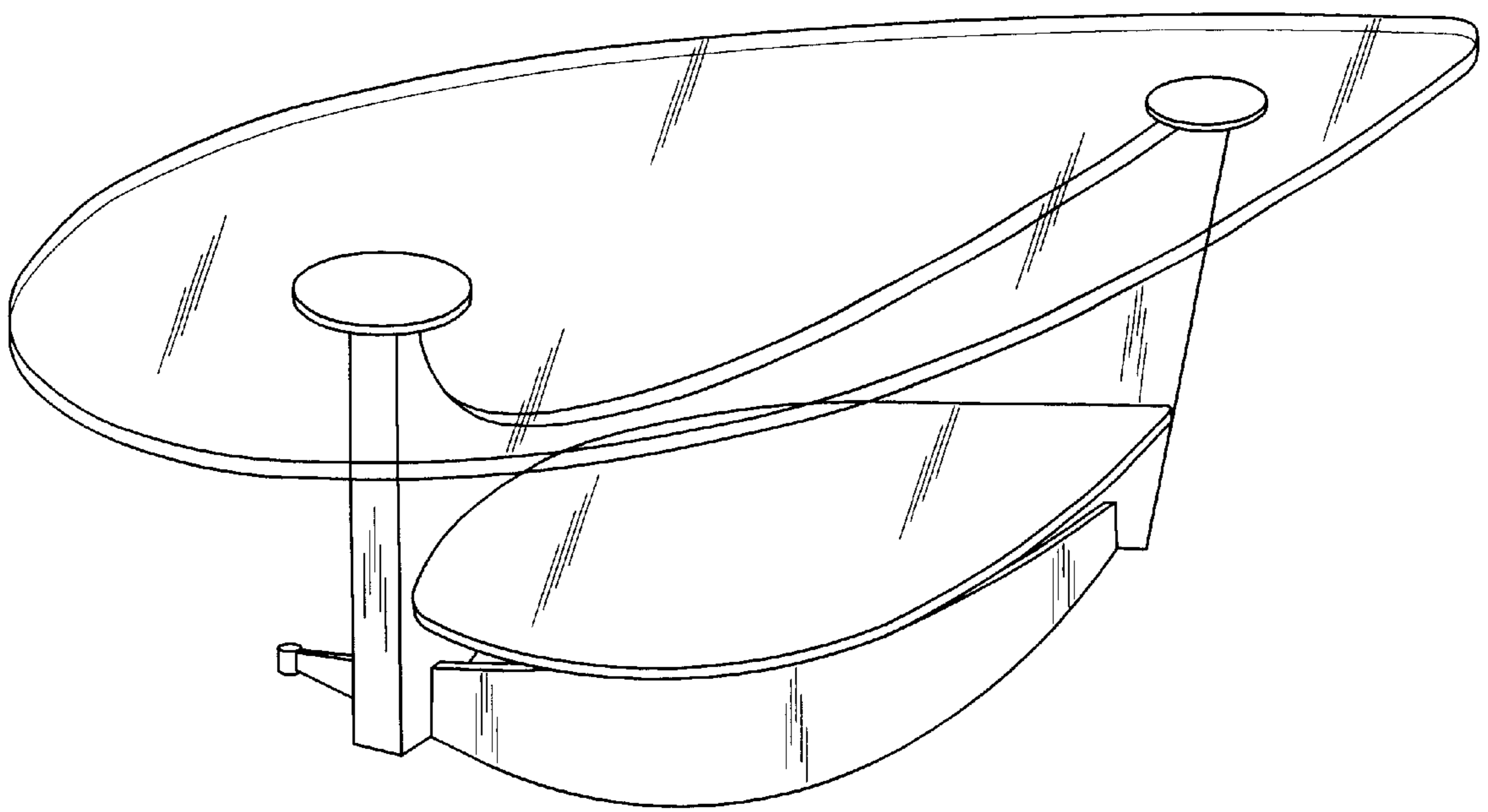
**U.S. PATENT DOCUMENTS**

D382,422 S \* 8/1997 Muller ..... D6/477

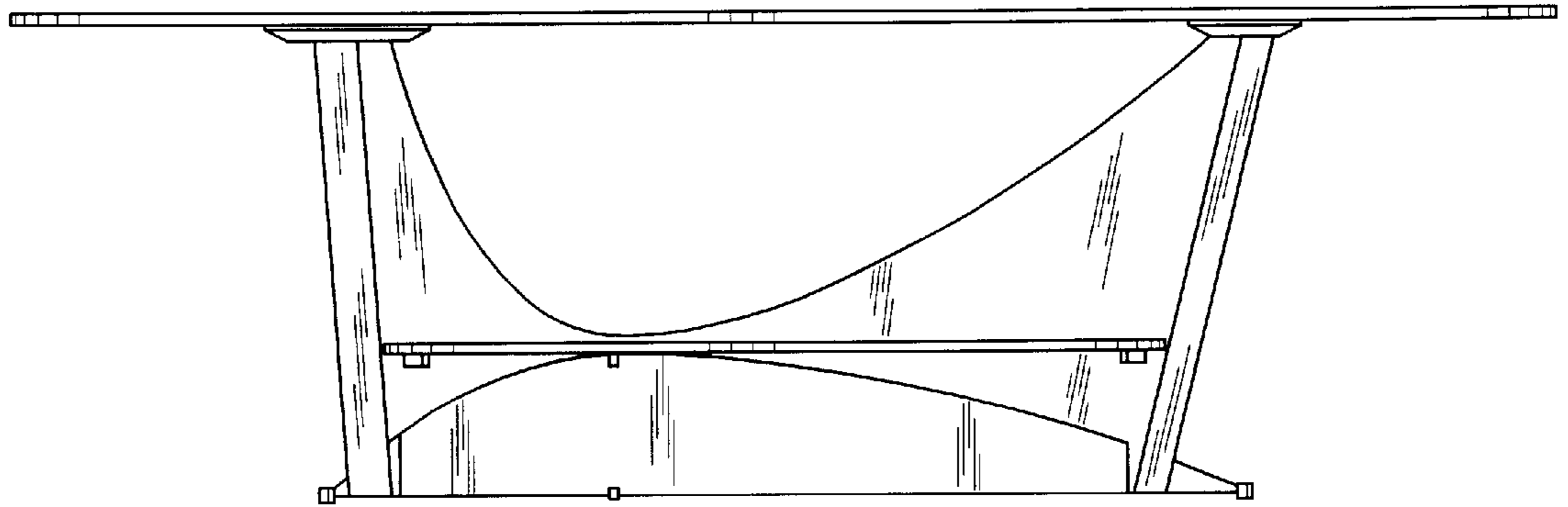
**1 Claim, 4 Drawing Sheets**



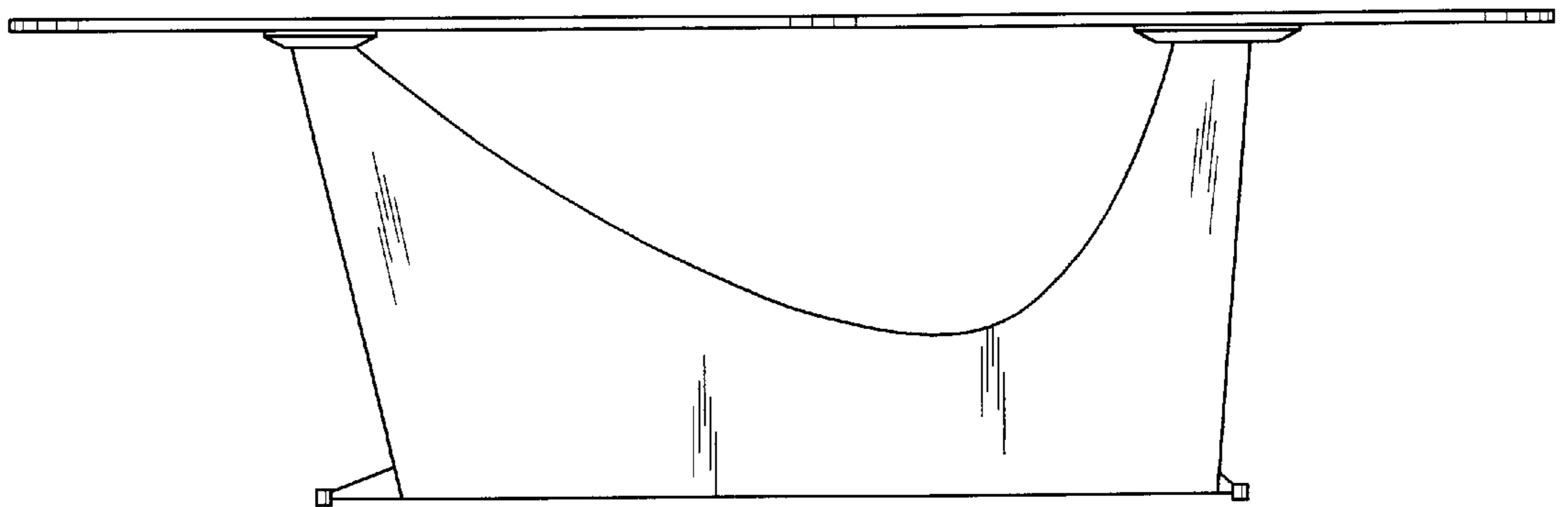
*Fig. 1*



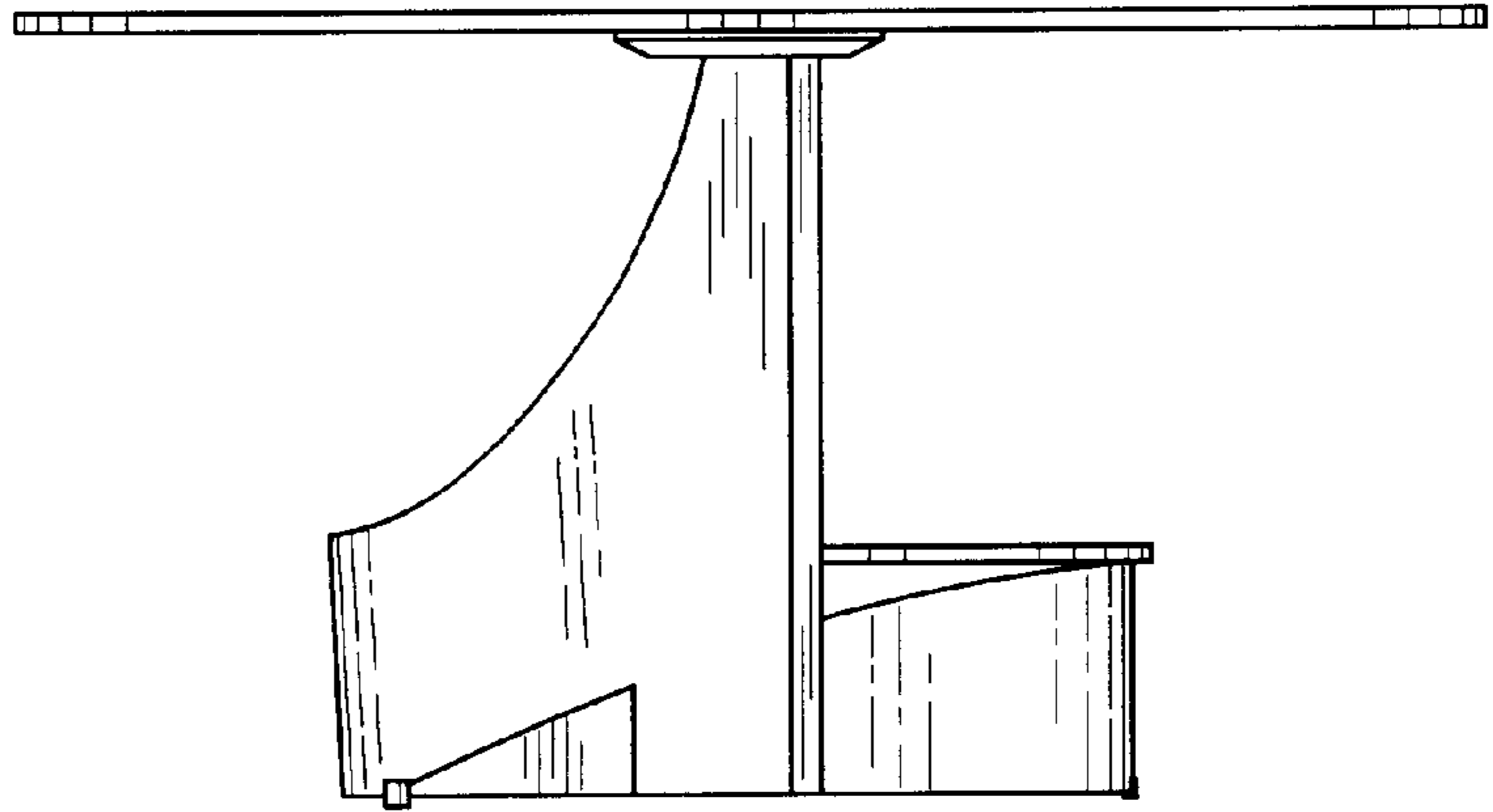
*Fig. 2*



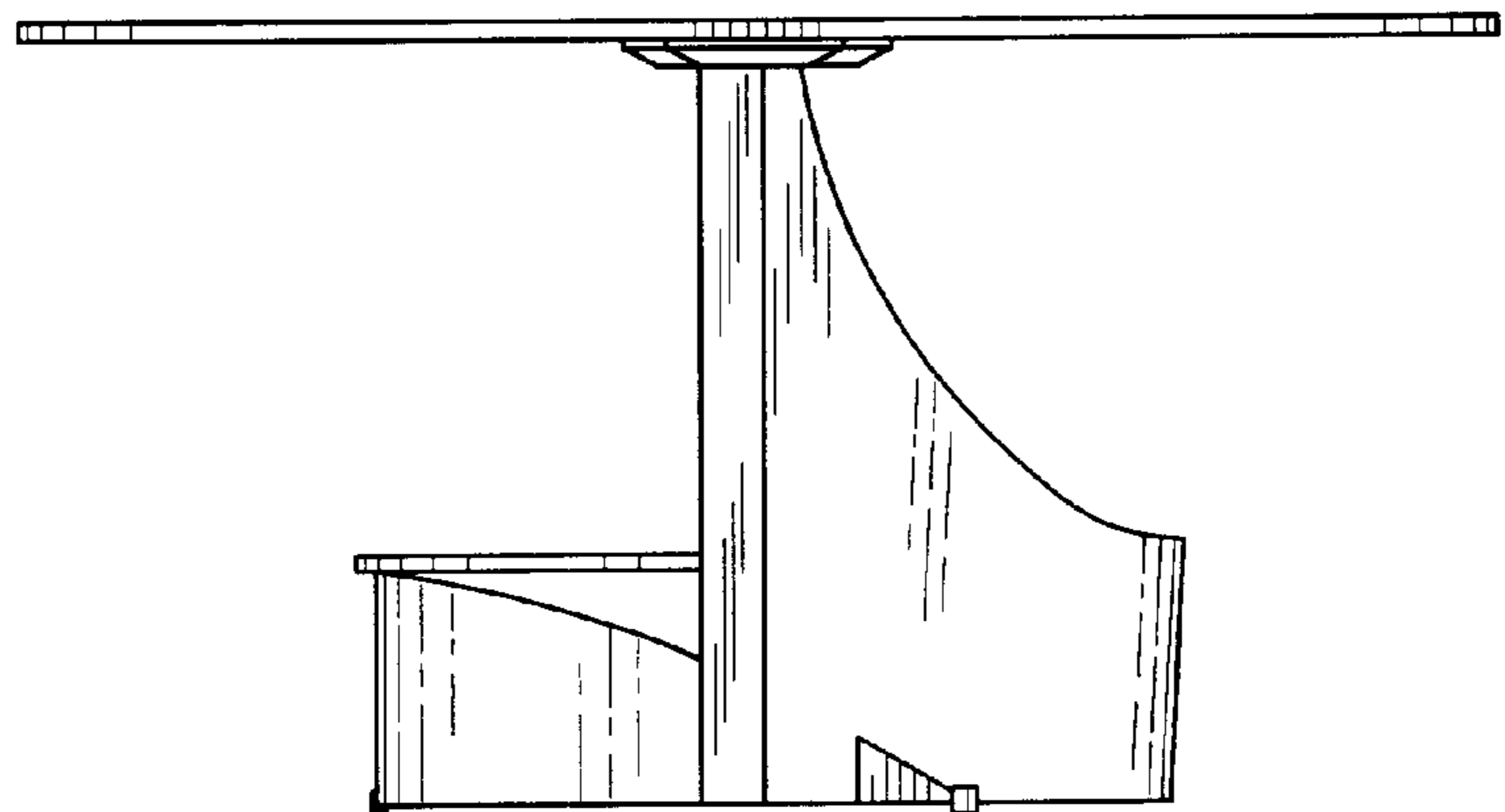
*Fig. 3*



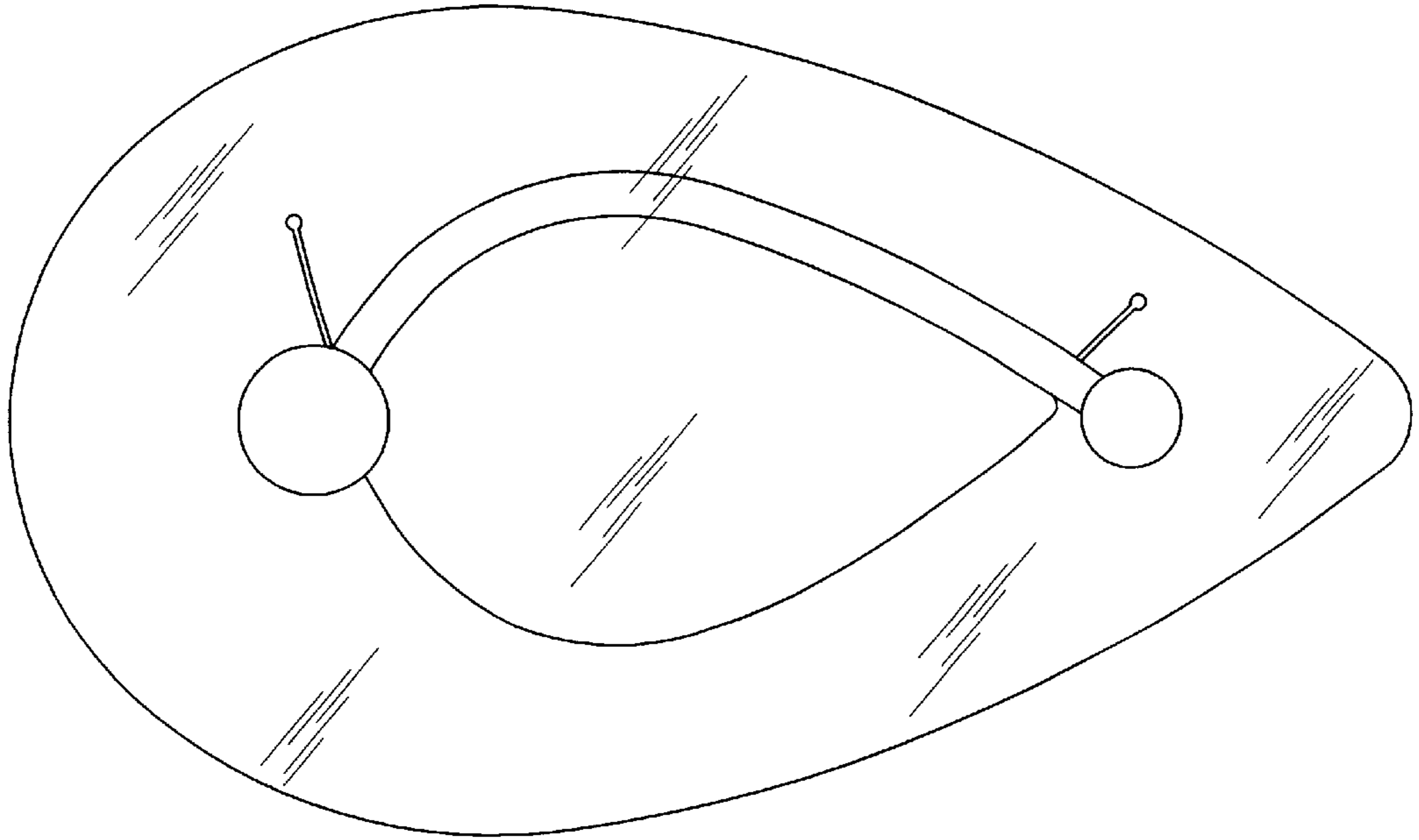
*Fig. 4*



*Fig. 5*



*Fig. 6*



*Fig. 7*

