



US00D470341S

(12) **United States Design Patent**
Muller

(10) **Patent No.:** **US D470,341 S**

(45) **Date of Patent:** **** Feb. 18, 2003**

(54) **COCKTAIL TABLE**

(75) **Inventor:** **Carl Muller**, Huntington Beach, CA
(US)

(73) **Assignee:** **Elite Manufacturing Corporation**,
Santa Fe Springs, CA (US)

(**) **Term:** **14 Years**

(21) **Appl. No.:** **29/158,956**

(22) **Filed:** **Apr. 13, 2002**

(51) **LOC (7) Cl.** **06-03**

(52) **U.S. Cl.** **D6/480**

(58) **Field of Search** D6/480-489, 495,
D6/436, 477; 108/150, 153.1, 155, 156,
161, 157.1; 248/188, 188.1, 188.8

(56) **References Cited**

U.S. PATENT DOCUMENTS

D277,438 S * 2/1985 Passarello D6/483

D337,008 S * 7/1993 Yoes et al. D6/480

D342,847 S * 1/1994 Armstrong D6/480

D386,631 S * 11/1997 Meier et al. D6/480

* cited by examiner

Primary Examiner—Janice E. Seeger

(74) *Attorney, Agent, or Firm*—George W. Finch

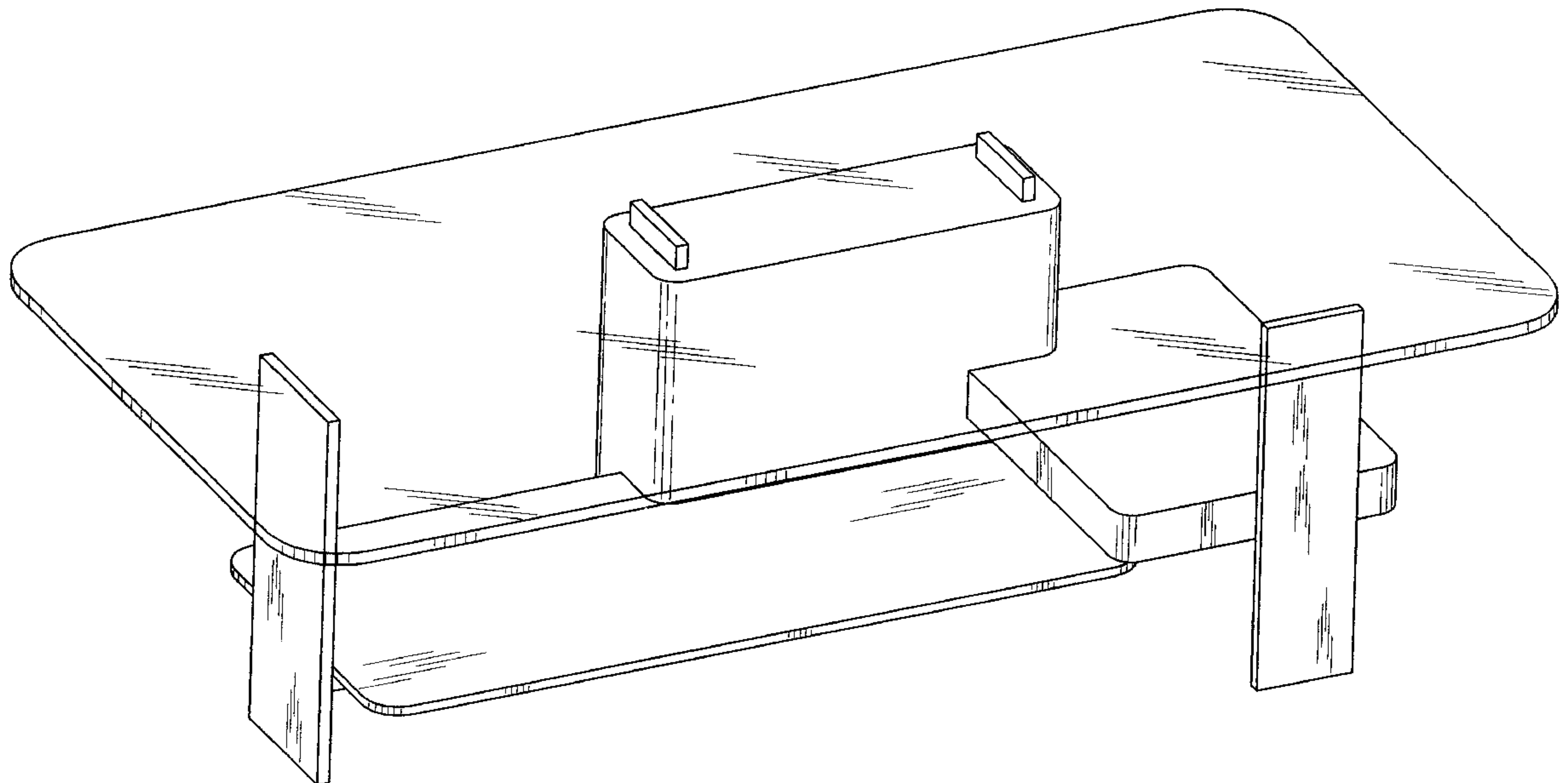
(57) **CLAIM**

The ornamental design for a cocktail table, as shown.

DESCRIPTION

FIG. 1 is a perspective view showing the front side, right side, and top of the ornamental design;
FIG. 2 is a right side view of the same;
FIG. 3 is a left side view of the same;
FIG. 4 is a front elevational view of the same;
FIG. 5 is a back elevational view of the same;
FIG. 6 is a top plan view of the same; and,
FIG. 7 is an underside view of the same.

1 Claim, 5 Drawing Sheets



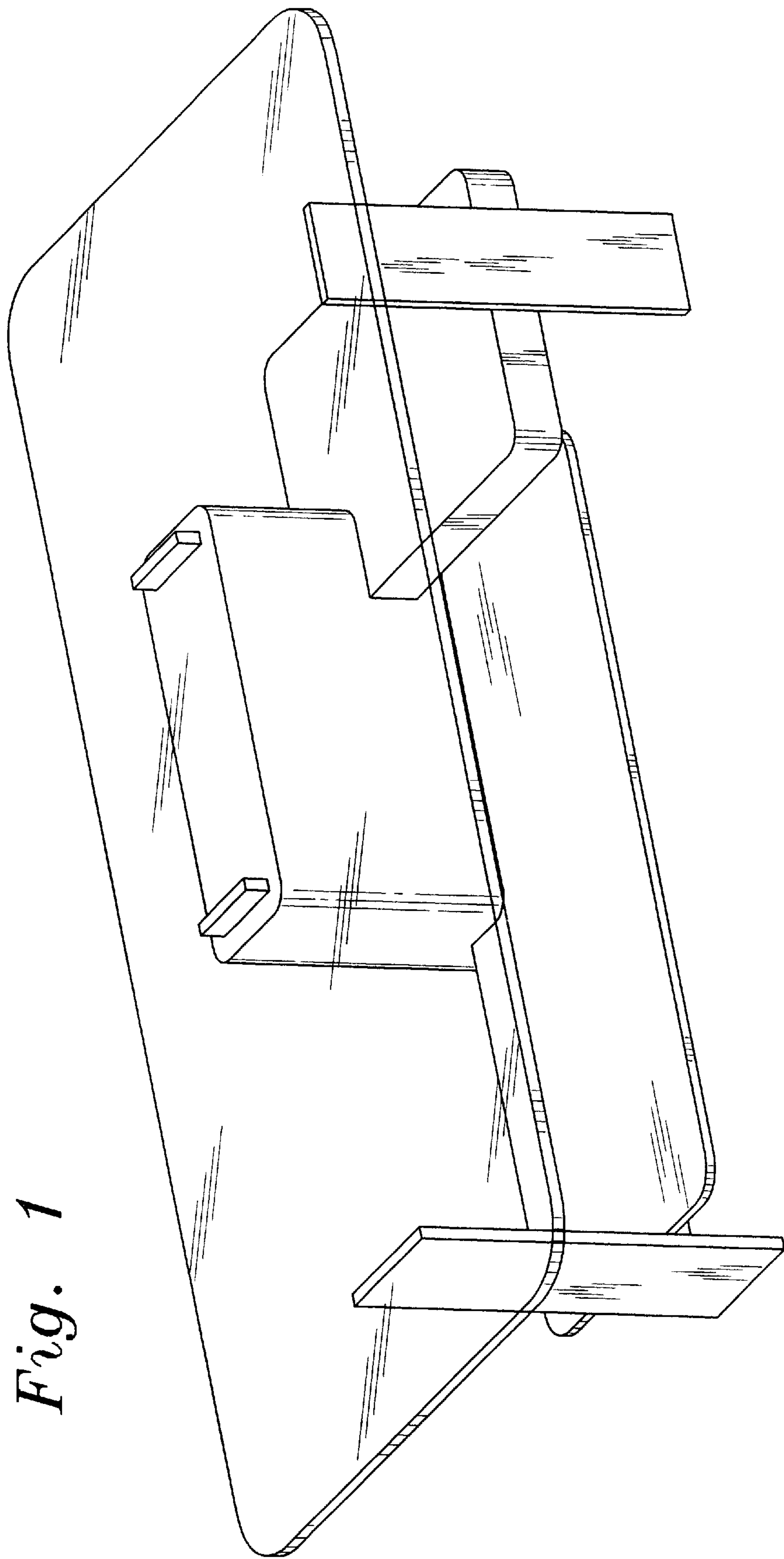


Fig. 1

Fig. 3

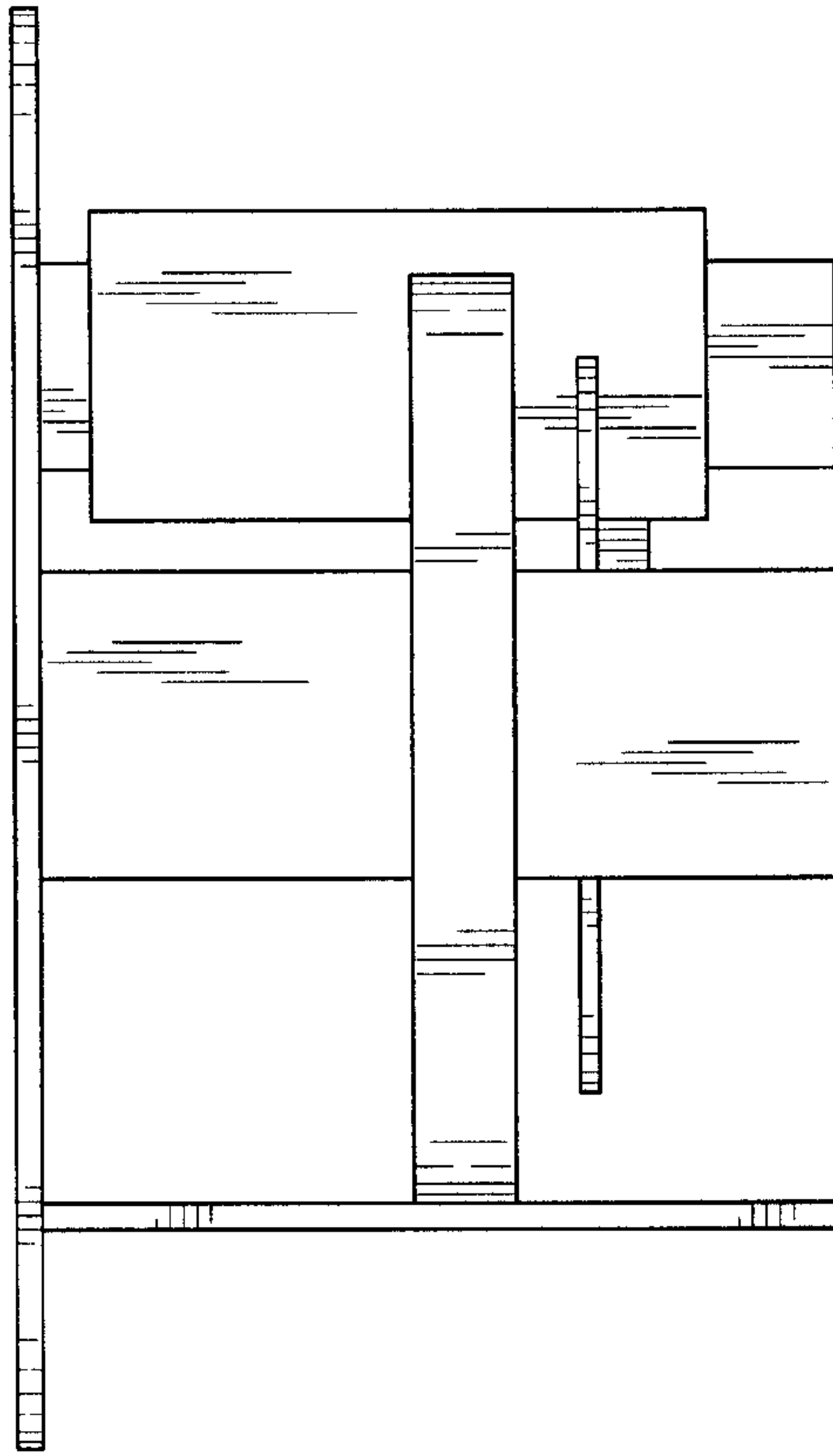


Fig. 2

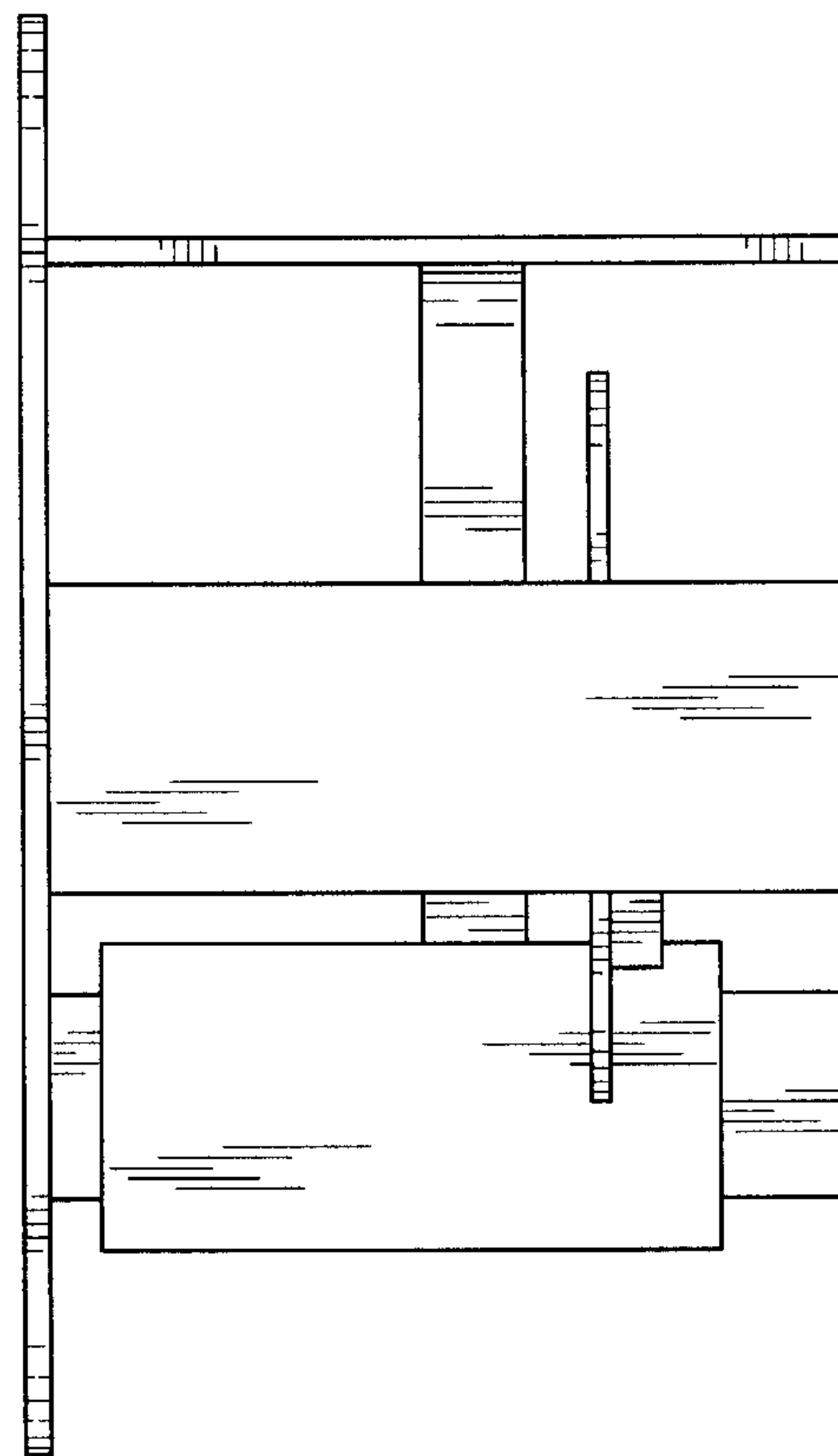


Fig. 4

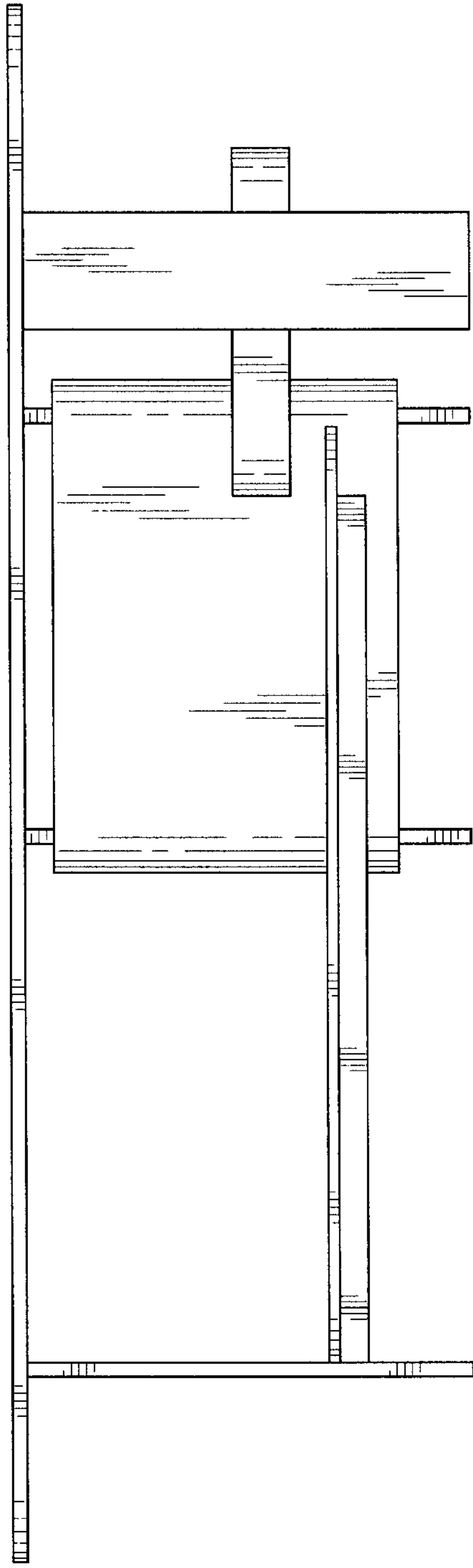


Fig. 5

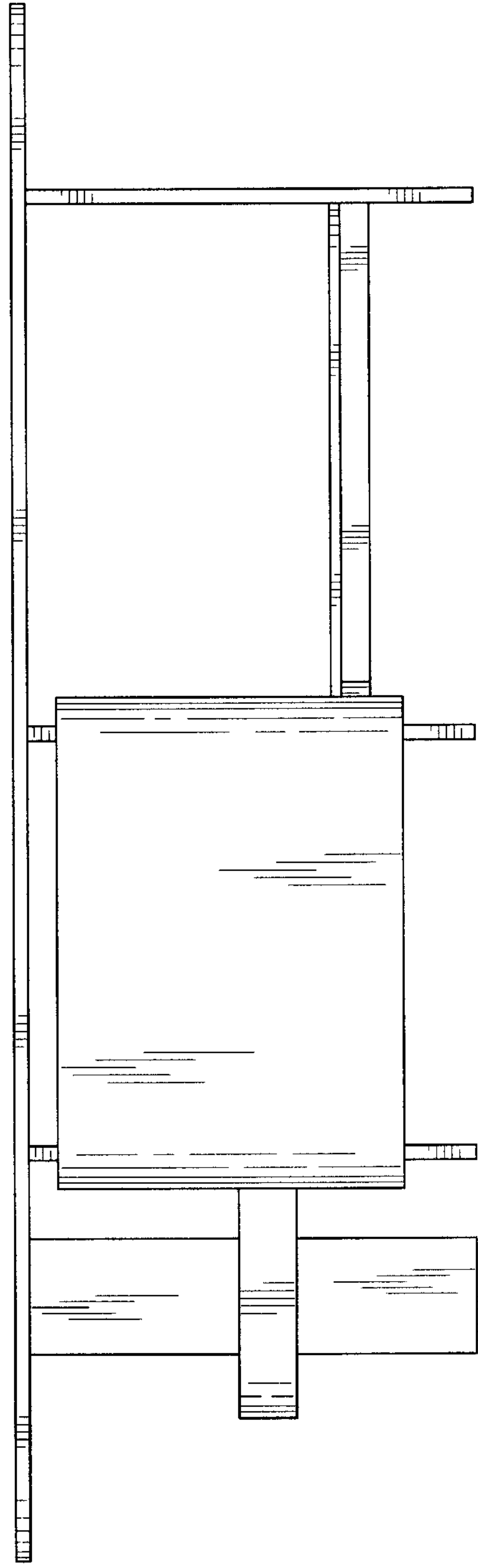


Fig. 6

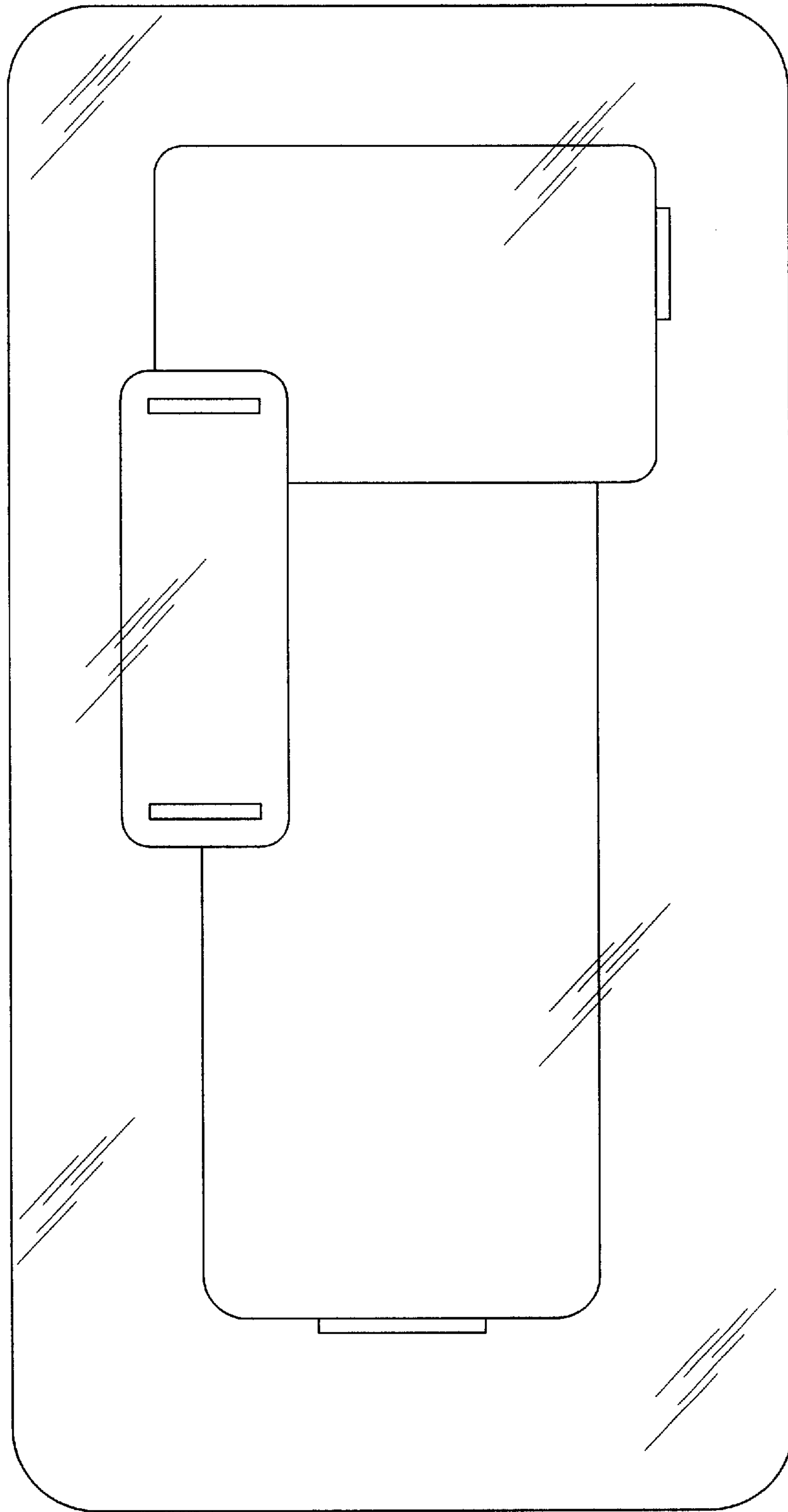


Fig. 7

