



US00D470339S

(12) **United States Design Patent**  
**Mohanraju et al.**

(10) **Patent No.:** **US D470,339 S**

(45) **Date of Patent:** **\*\* Feb. 18, 2003**

- (54) **MODULAR CANDY DISPLAY**
- (75) Inventors: **Sathish K. Mohanraju**, Chattanooga, TN (US); **George Mullinix**, Signal Mountain, TN (US)
- (73) Assignee: **Brach's Confections, Inc.**, Chattanooga, TN (US)
- (\*\*) Term: **14 Years**
- (21) Appl. No.: **29/146,161**
- (22) Filed: **Aug. 7, 2001**
- (51) **LOC (7) Cl.** ..... **06-04**
- (52) **U.S. Cl.** ..... **D6/474**
- (58) **Field of Search** ..... D6/396, 397, 432, D6/436, 437, 470, 471, 475, 476; 312/119, 118, 126; 211/85.4, 85.26

- D410,157 S 5/1999 Murray et al. .... D6/449
- D413,211 S \* 8/1999 Baluk et al. .... D6/470
- D415,630 S \* 10/1999 Kalnitsky .... D6/457
- D420,837 S 2/2000 Baluk .... D6/474
- D450,837 S \* 2/2000 Baluk .... D6/474
- D422,165 S \* 4/2000 Baluk .... D6/474
- D426,401 S 6/2000 Conway, Jr. .... D6/470

\* cited by examiner

*Primary Examiner*—Cathron C. Brooks

(74) *Attorney, Agent, or Firm*—Miller & Martin LLP

(57) **CLAIM**

The ornamental design for a modular candy display, as shown and described.

**DESCRIPTION**

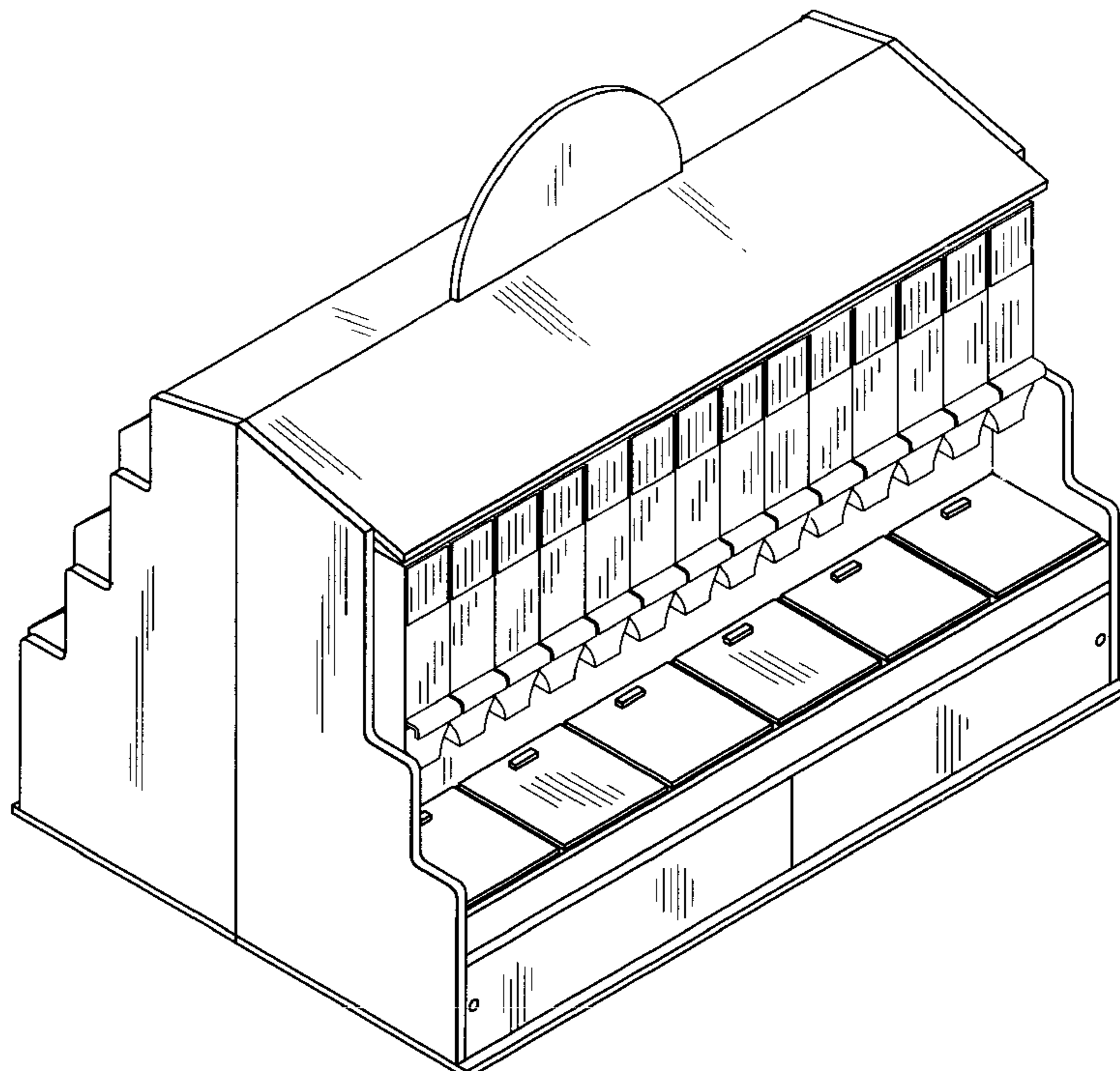
FIG. 1 is a perspective view of the modular candy display showing the vertical portion control bin side of the display. FIG. 2 is a front view of the modular candy display showing the vertical portion control bin side. FIG. 3 is a rear view of the modular candy display showing the open-top candy bin side of the display. FIG. 4 is a left side view of the modular candy display with the vertical portion control bin on the right side of the drawing. FIG. 5 is a right side view of the modular candy display with the open-top candy bin on the right side of the drawing. FIG. 6 is a top view of the modular candy display. FIG. 7 is a bottom view of the modular candy display. FIG. 8 is a rear perspective view of the modular candy display.

(56) **References Cited**

**U.S. PATENT DOCUMENTS**

- D257,101 S \* 9/1980 Peterson et al. .... D6/470
- D268,069 S 3/1983 Milstein .... D6/173
- D329,343 S \* 9/1992 Oldorf .... D6/515
- D346,079 S \* 4/1994 Farber .... D6/437
- D357,142 S 4/1995 Jones et al. .... D6/456
- D385,432 S 10/1997 Baluk et al. .... D6/437
- D385,433 S \* 10/1997 Baluk et al. .... D6/437
- D393,554 S \* 4/1998 Baluk et al. .... D6/470
- D394,577 S 5/1998 Baluk et al. .... D6/559
- D398,461 S \* 9/1998 Baluk et al. .... D6/476
- D398,462 S \* 9/1998 Baluk et al. .... D6/476
- D406,957 S 3/1999 Murray et al. .... D6/449

**1 Claim, 5 Drawing Sheets**



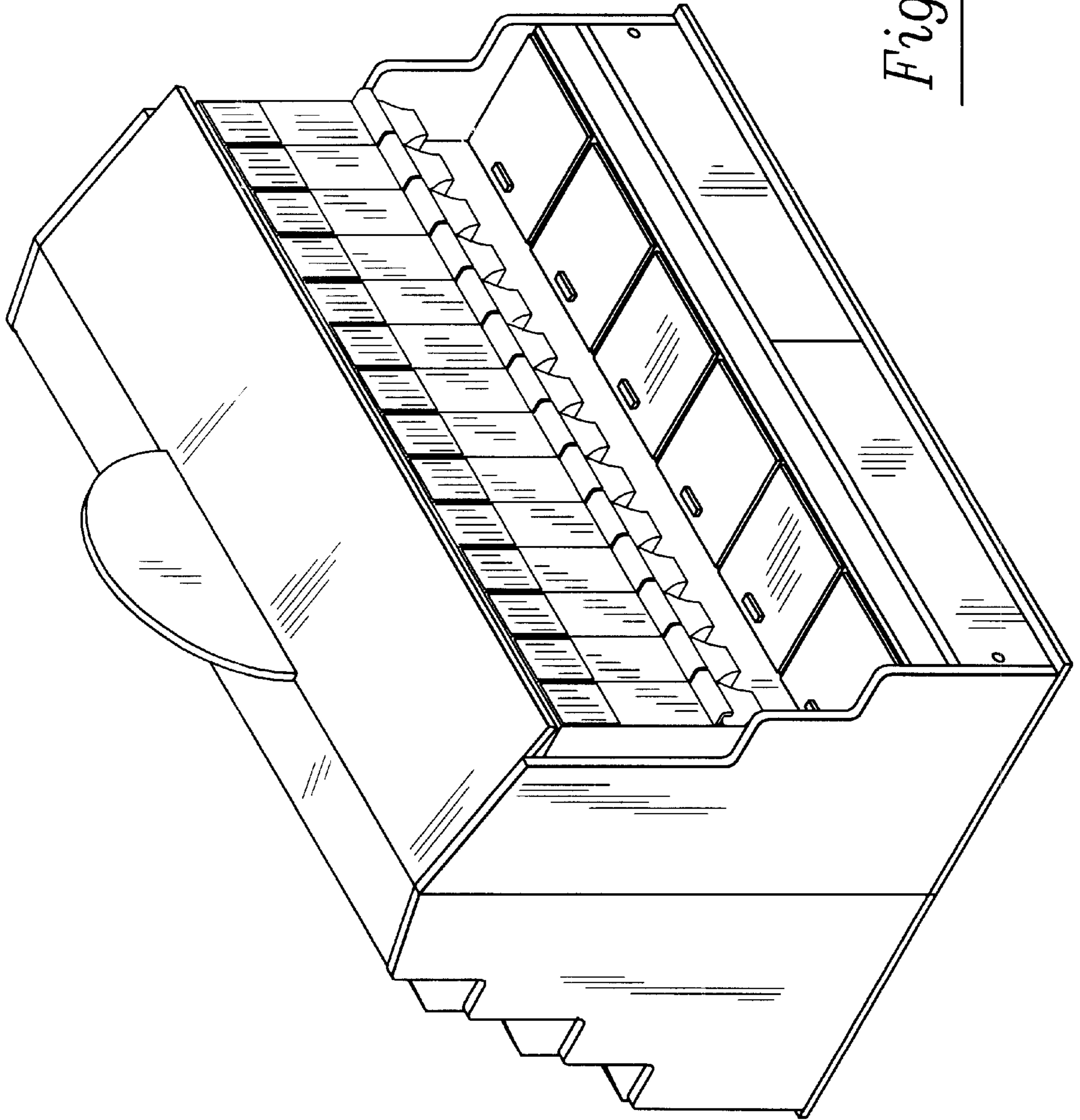


Fig. 1

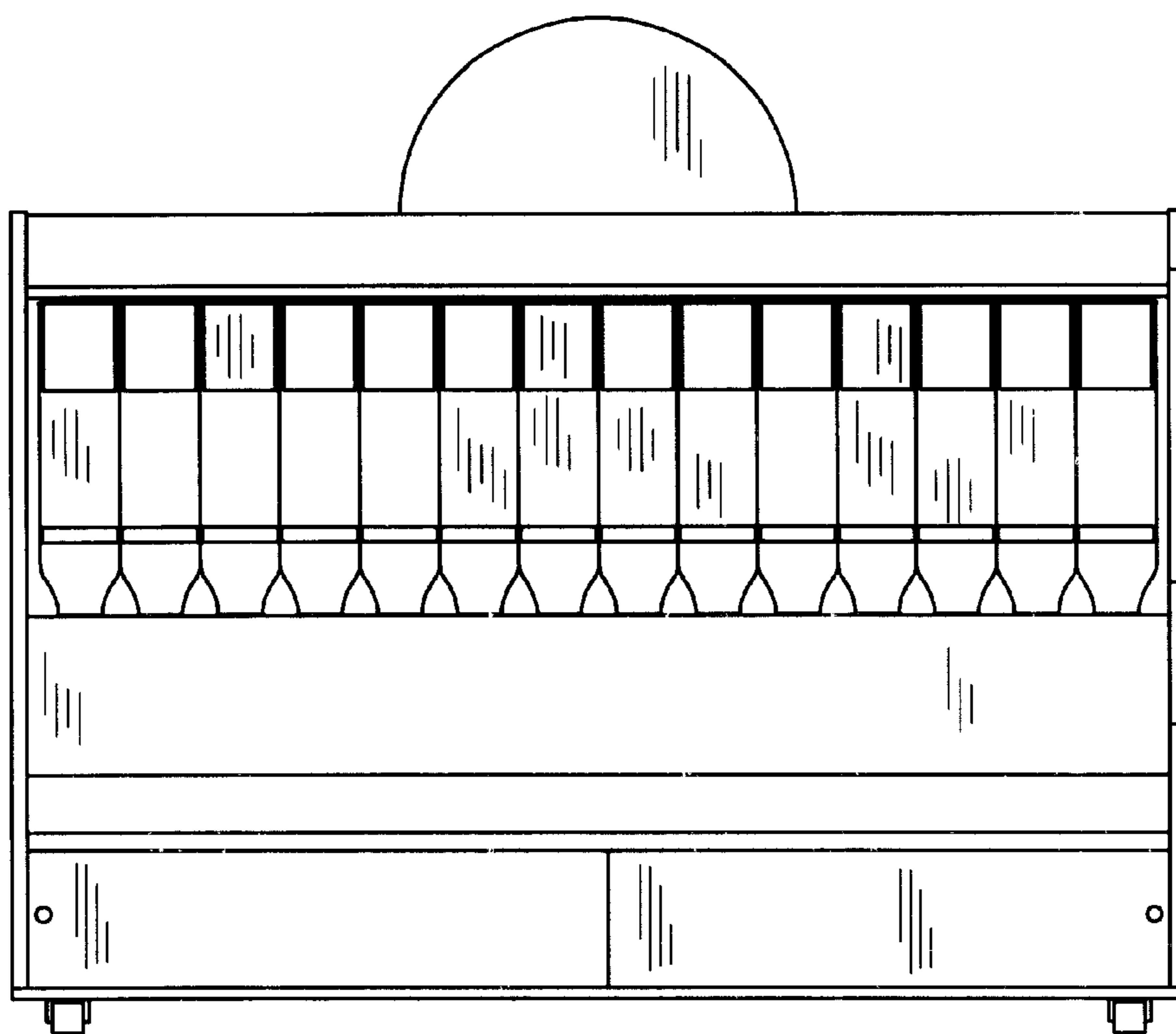


Fig. 2

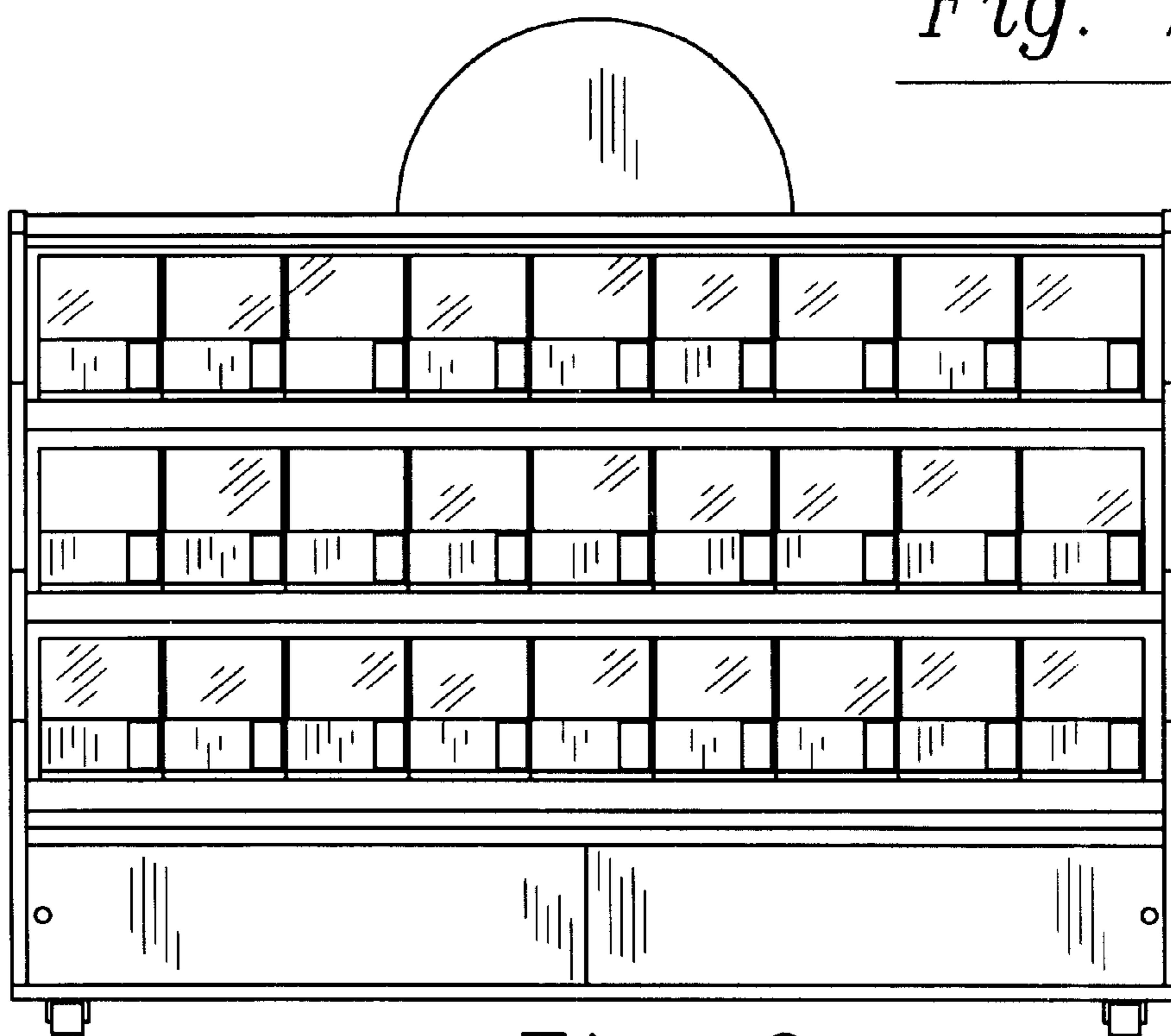


Fig. 3

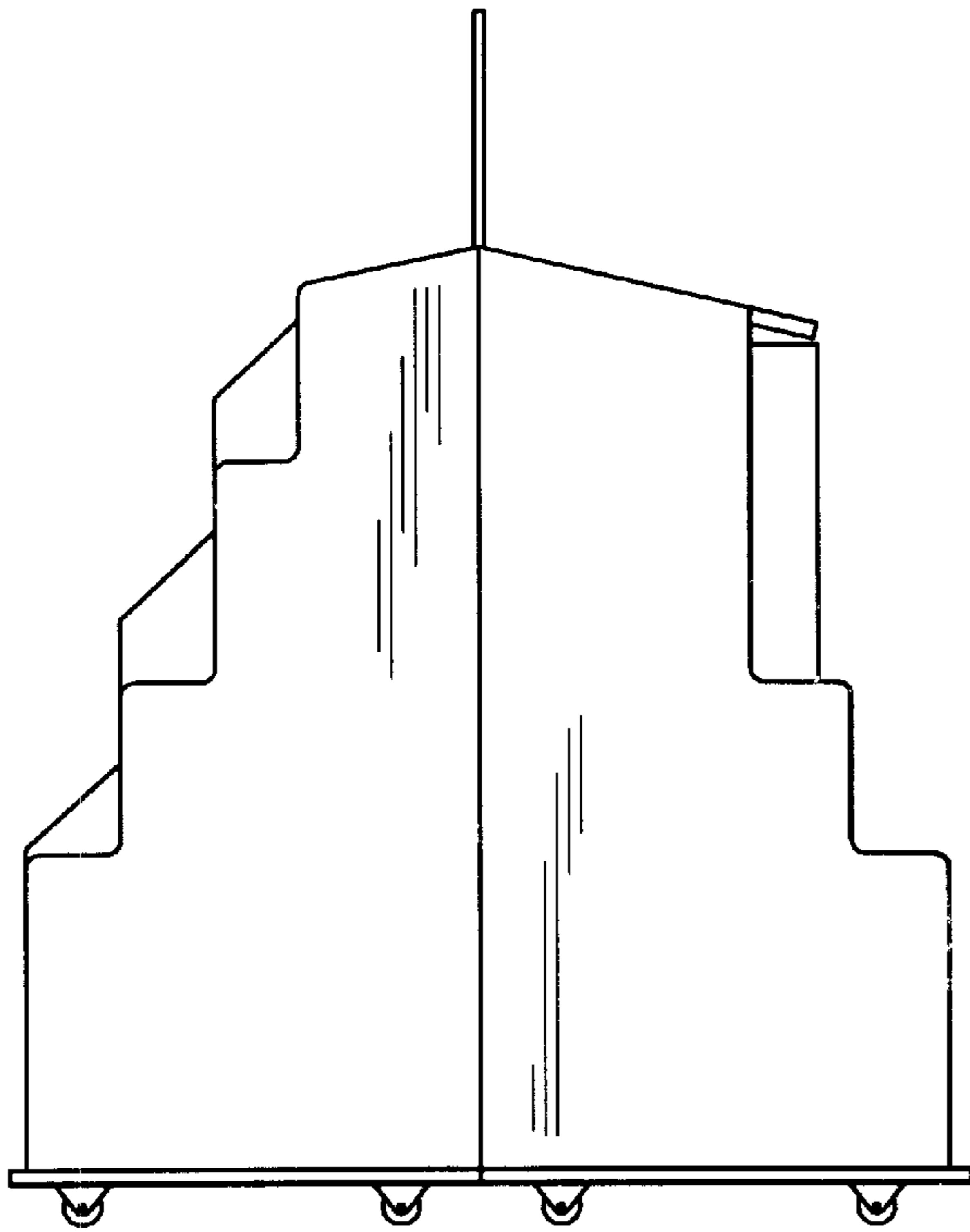


Fig. 4

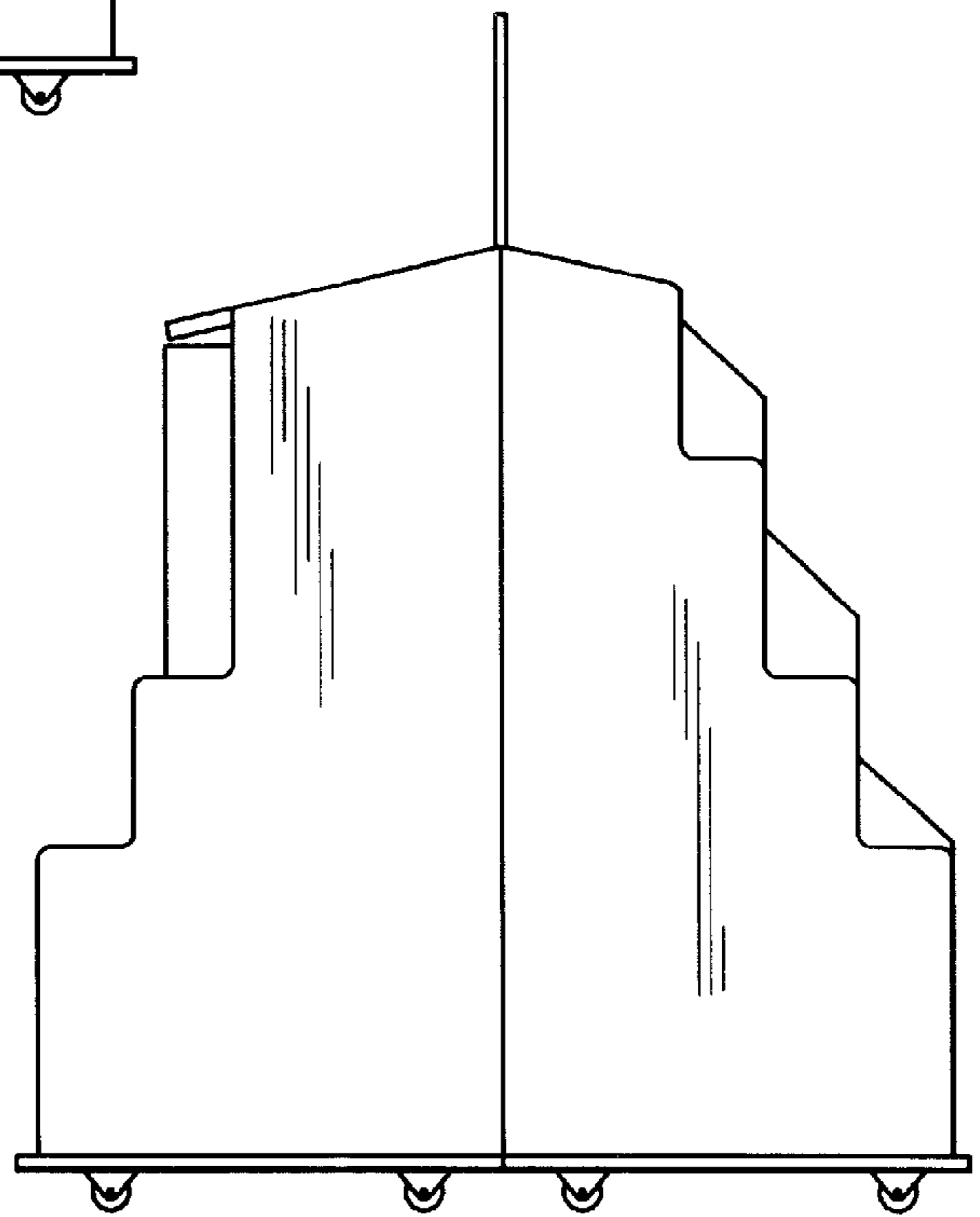


Fig. 5

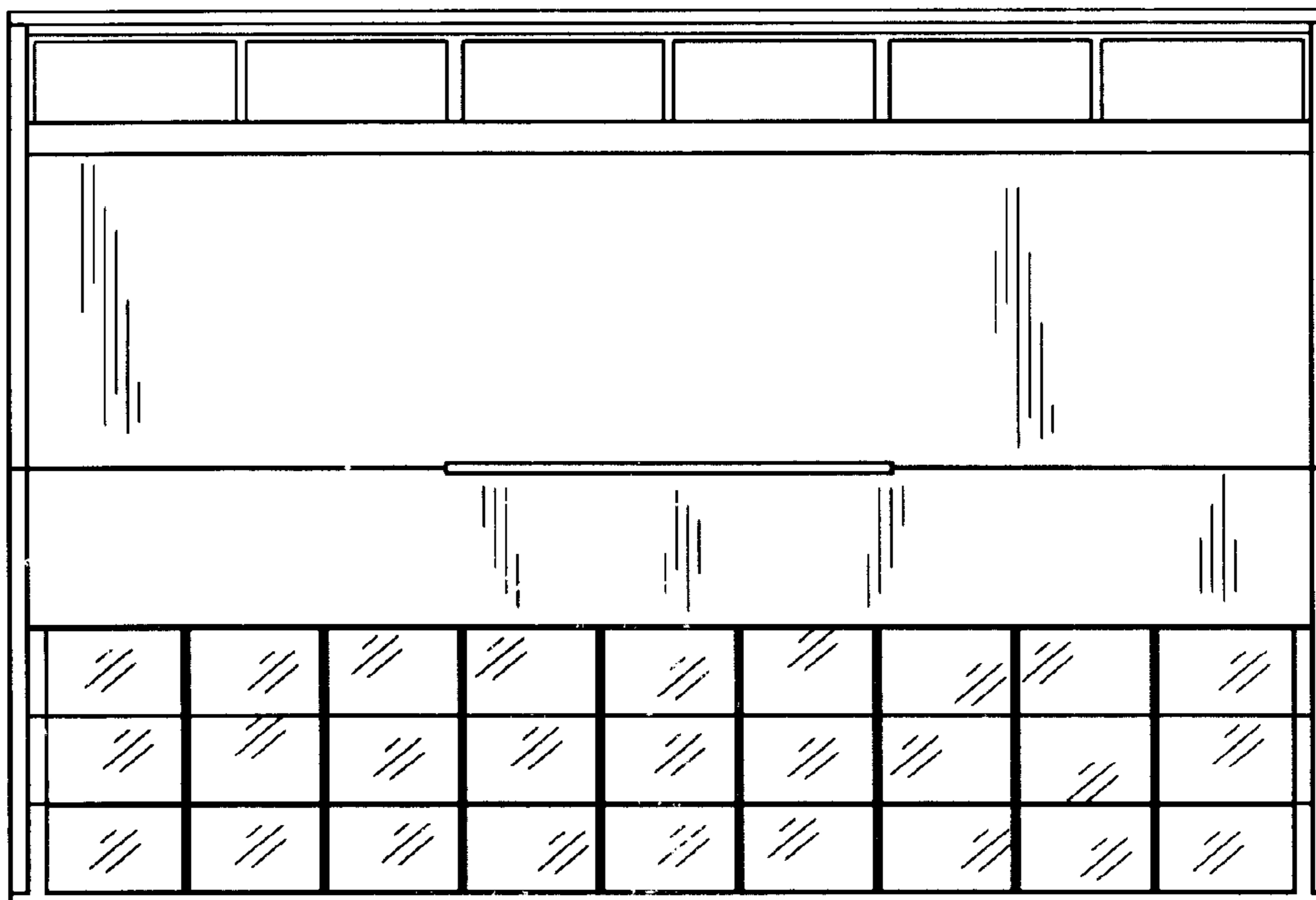


Fig. 6

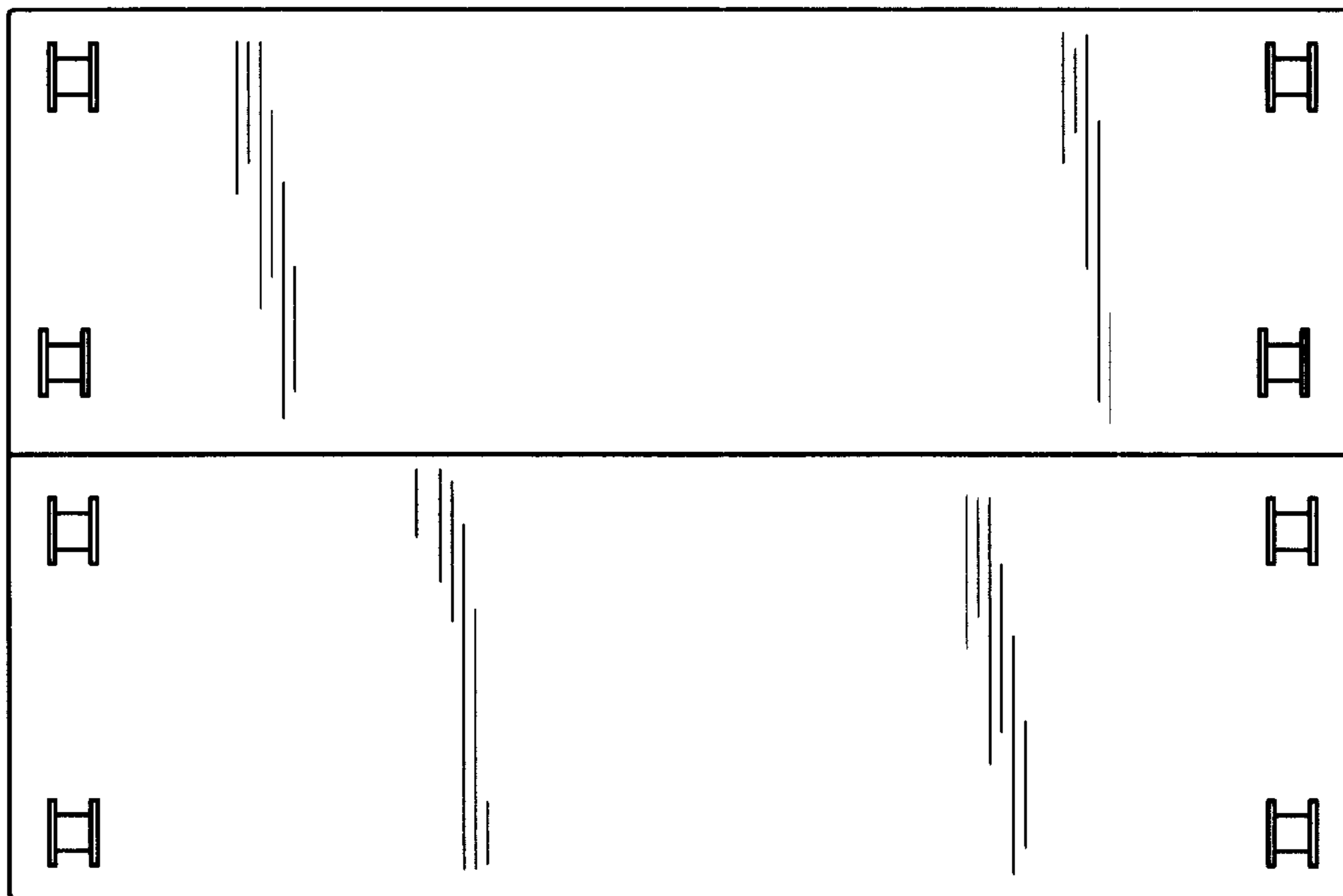


Fig. 7

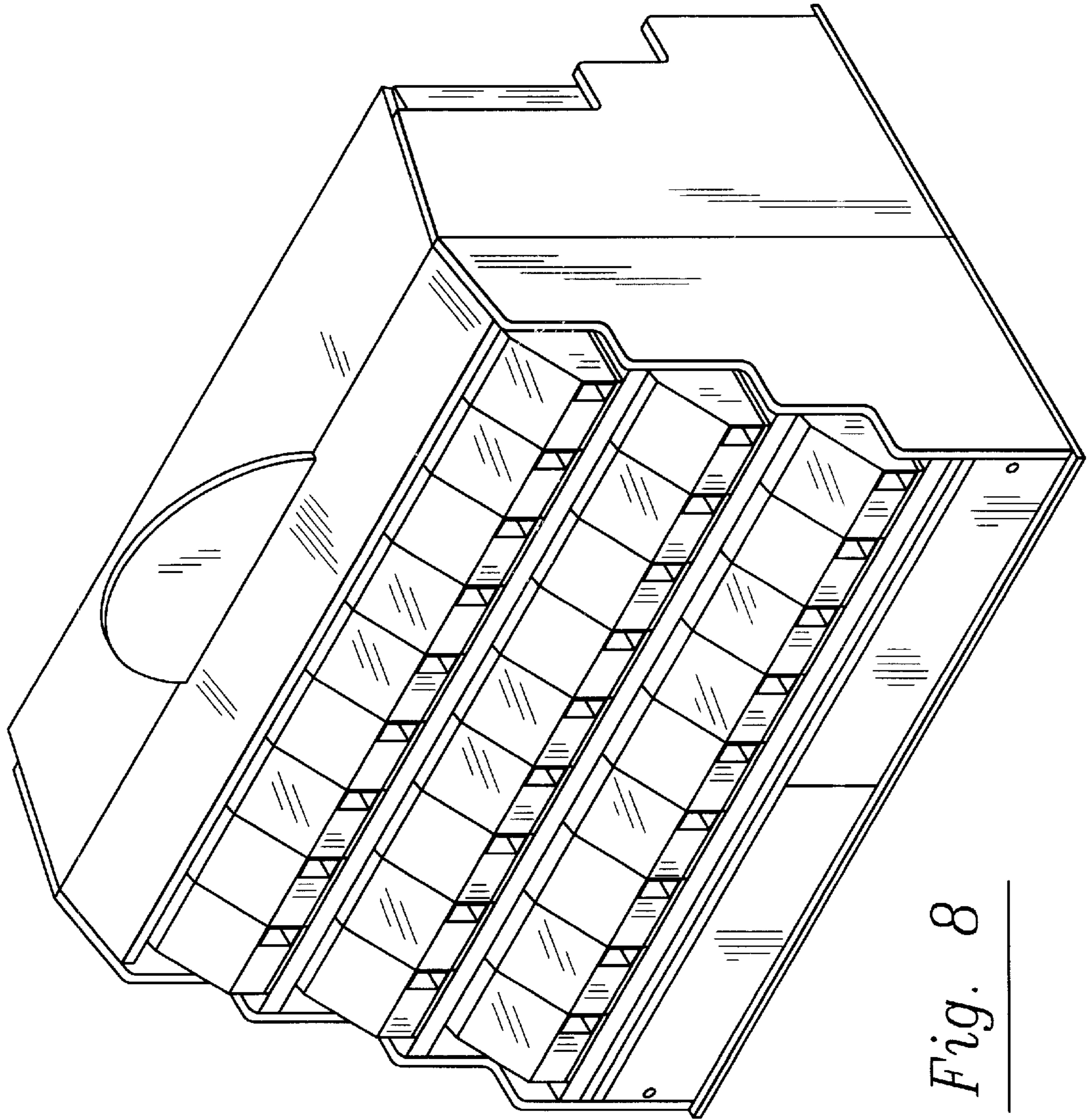


Fig. 8