



US00D470337S

(12) **United States Design Patent**
Clucas

(10) **Patent No.:** **US D470,337 S**

(45) **Date of Patent:** **** Feb. 18, 2003**

(54) **MAGAZINE RACK**

(75) **Inventor:** **Michael P. Clucas**, Boothwyn, PA (US)

(73) **Assignee:** **Zenith Products Corp.**, New Castle, DE (US)

(**) **Term:** **14 Years**

(21) **Appl. No.:** **29/158,796**

(22) **Filed:** **Apr. 10, 2002**

(51) **LOC (7) Cl.** **06-04**

(52) **U.S. Cl.** **D6/462; D6/475**

(58) **Field of Search** D6/436, 437, 411, D6/455, 457-469, 454, 524, 546; 108/59, 91, 92, 149, 107, 181; 211/13.1, 85.2, 78, 85.26, 205, 181.1, 182, 189, 34, 37, 186, 187, 133.2

(56) **References Cited**

U.S. PATENT DOCUMENTS

D316,344 S * 4/1991 Kee D6/462

D436,464 S * 1/2001 Goodman et al. D6/462

D453,640 S * 2/2002 Goodman et al. D6/462

D456,177 S * 4/2002 Walker D6/462

* cited by examiner

Primary Examiner—Cathron C. Brooks

(74) *Attorney, Agent, or Firm*—Edgar A. Zarins; Lloyd D. Doigan

(57) **CLAIM**

The ornamental design for a magazine rack, as shown and described.

DESCRIPTION

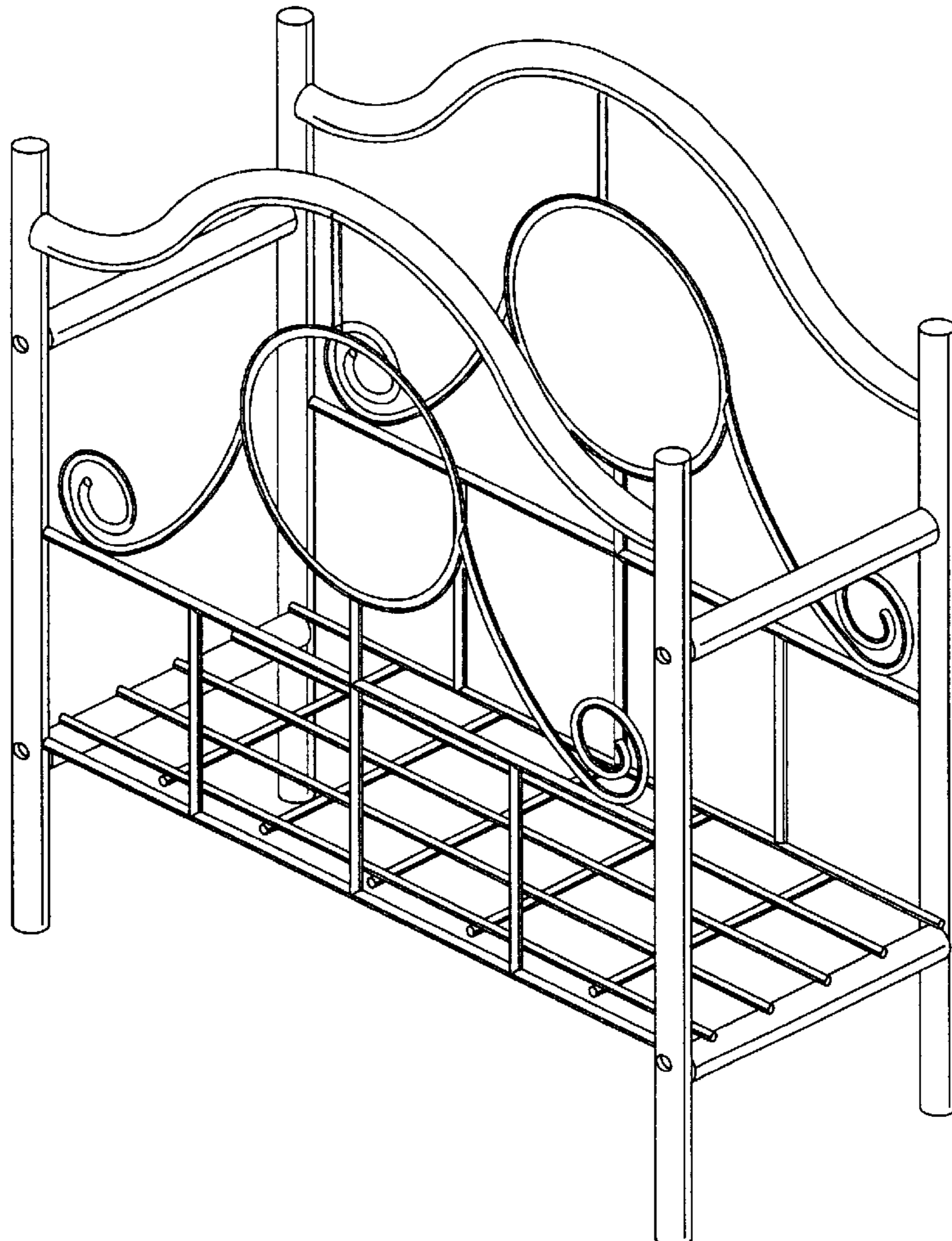
FIG. 1 is a perspective view of a magazine rack showing my new design;

FIG. 2 is a front elevational view thereof, the other side being a mirror image of the side shown;

FIG. 3 is an end view thereof, the opposite side being a mirror image of the end shown; and,

FIG. 4 is a top plan view thereof.

1 Claim, 2 Drawing Sheets



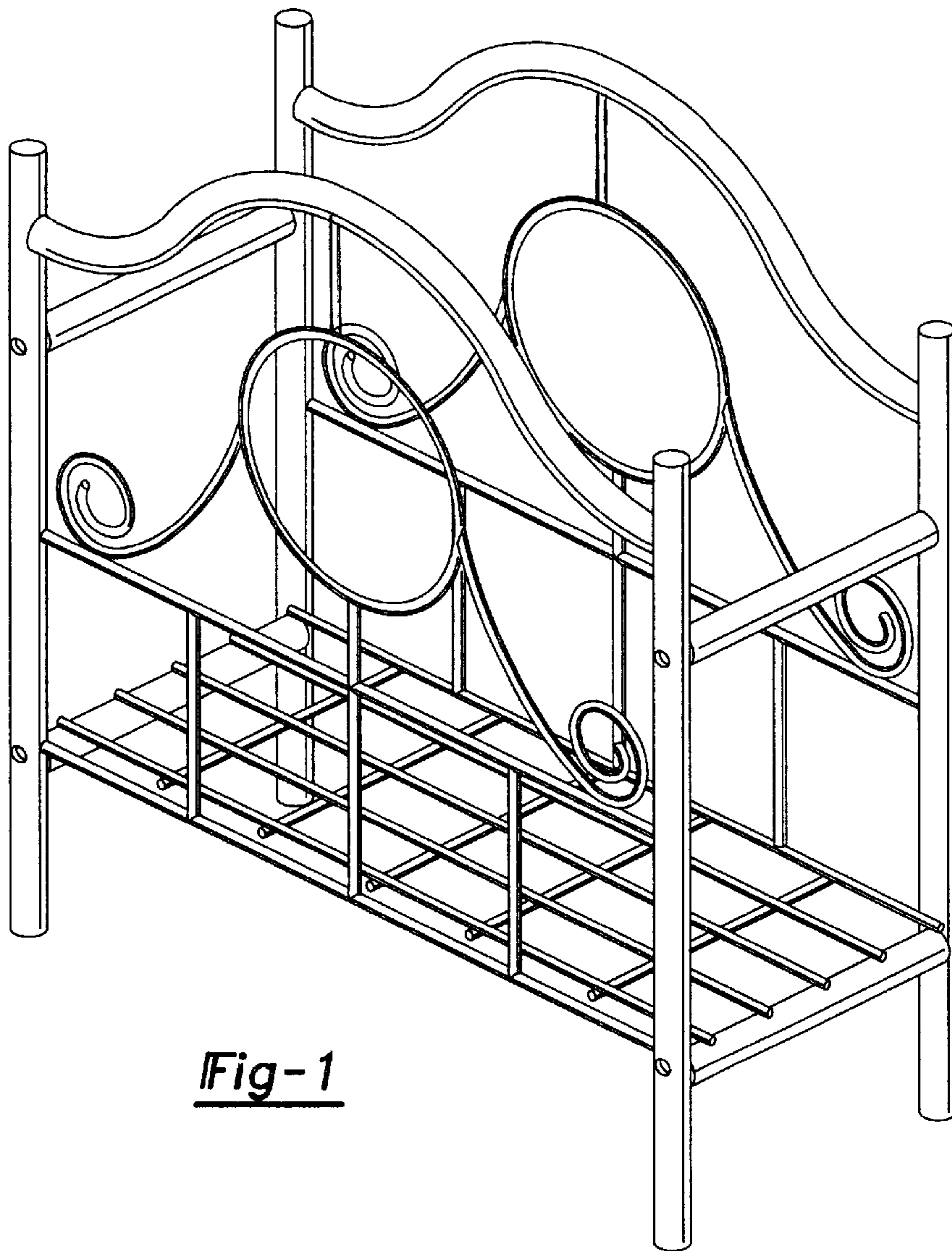


Fig-1

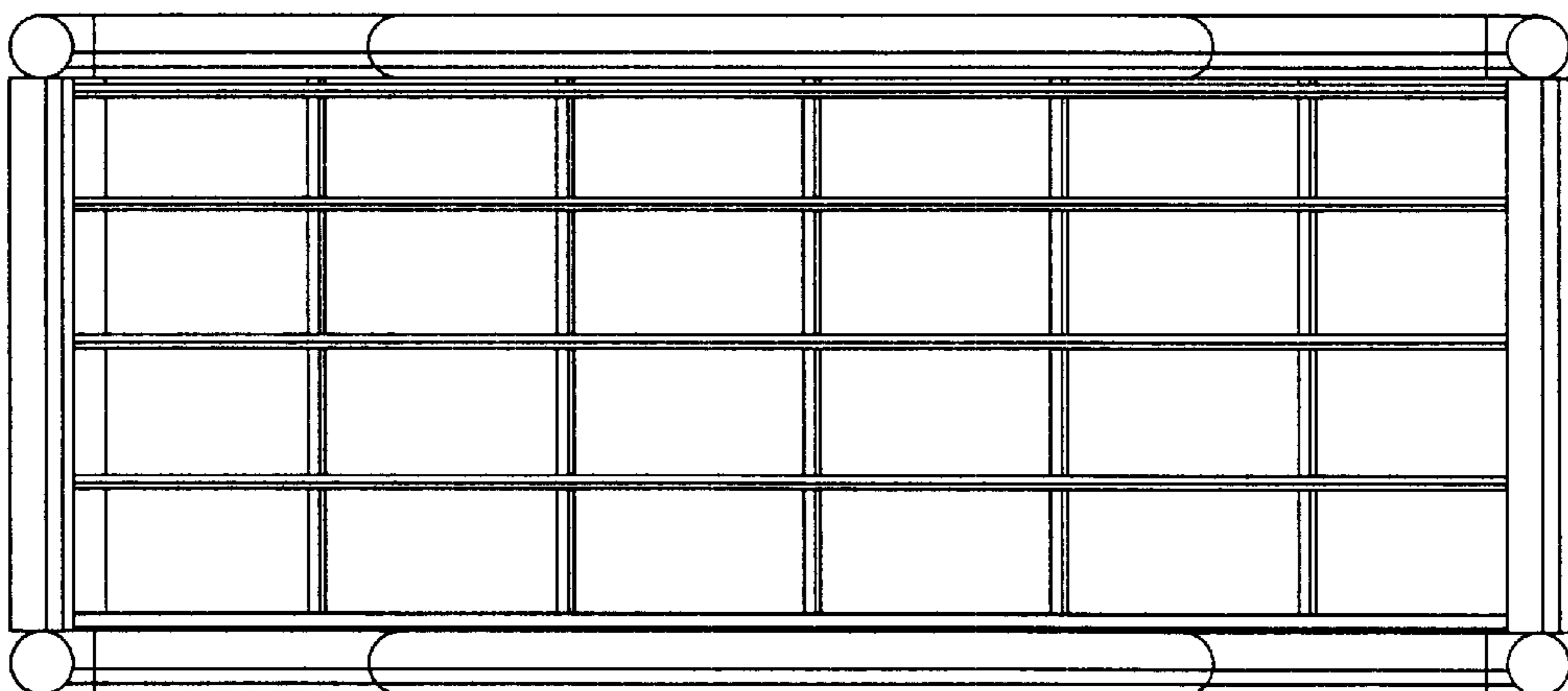


Fig-4

