



US00D470336S

(12) **United States Design Patent**
Malizia

(10) **Patent No.:** **US D470,336 S**

(45) **Date of Patent:** **** Feb. 18, 2003**

(54) **COLLAPSIBLE Z-STAND**

(75) Inventor: **Mario Malizia**, Castelfidardo (IT)

(73) Assignee: **TAM SRL**, Recanati (IT)

(**) Term: **14 Years**

(21) Appl. No.: **29/148,953**

(22) Filed: **Sep. 26, 2001**

(51) **LOC (7) Cl.** **06-04**

(52) **U.S. Cl.** **D6/462**

(58) **Field of Search** D6/400, 409, 410,
D6/411, 418, 449, 462, 464, 465, 466;
211/13.1, 85.6, 85, 123, 124, 195, 200,
201, 181.1, 182

(56) **References Cited**

U.S. PATENT DOCUMENTS

D278,670 S	*	5/1985	Schoenig	D6/463
4,684,091 A	*	8/1987	Moreschi	984/257
D301,418 S	*	6/1989	Wernick	D6/462
D442,387 S	*	5/2001	Jeghers	D6/400

OTHER PUBLICATIONS

Excerpts from Quik Lok Catalog—Prior art Z-type keyboard stands with non-pivotable arms and legs.

* cited by examiner

Primary Examiner—Cathron C. Brooks

(74) *Attorney, Agent, or Firm*—Amster, Rothstein & Ebenstein

(57) **CLAIM**

The ornamental design for a collapsible Z-stand, as shown and described.

DESCRIPTION

FIG. 1 is an isometric view from the top, front and one side, of a collapsible Z-stand showing my new design, in an orientation of use;

FIG. 2 is a side elevational view thereof from the one side;

FIG. 3 is a front elevational view thereof;

FIG. 4 is a rear elevation view thereof;

FIG. 5 is a top plan view thereof;

FIG. 6 is a bottom plan view thereof;

FIG. 7 is a side elevational view thereof, similar to FIG. 2, but in a retracted orientation;

FIG. 8 is an isometric view thereof similar to FIG. 1, but in a retracted orientation; and,

FIG. 9 is a side elevational view thereof, similar to FIG. 2, but in a retracted and collapsed storage orientation.

1 Claim, 8 Drawing Sheets

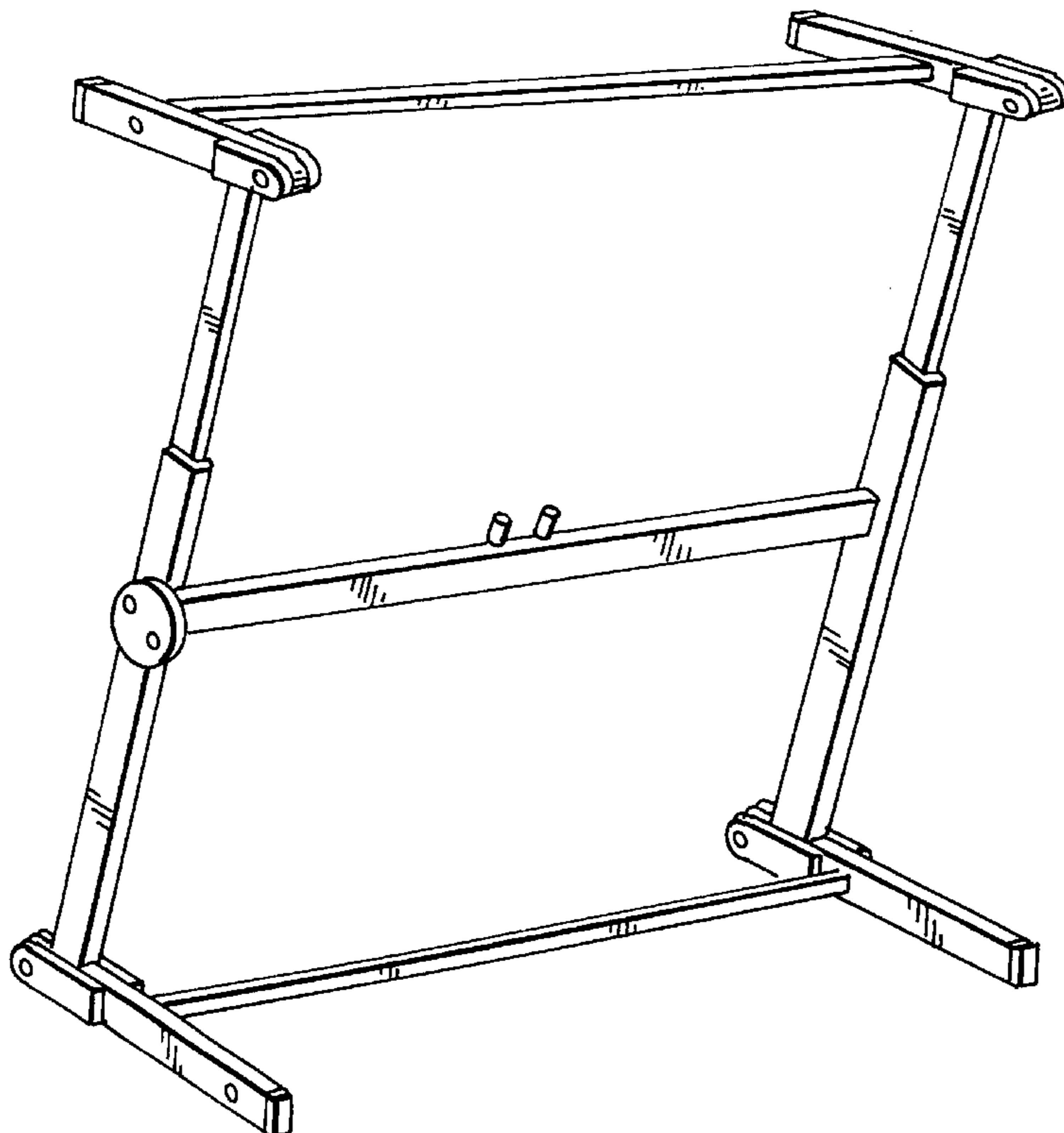


FIG. 1

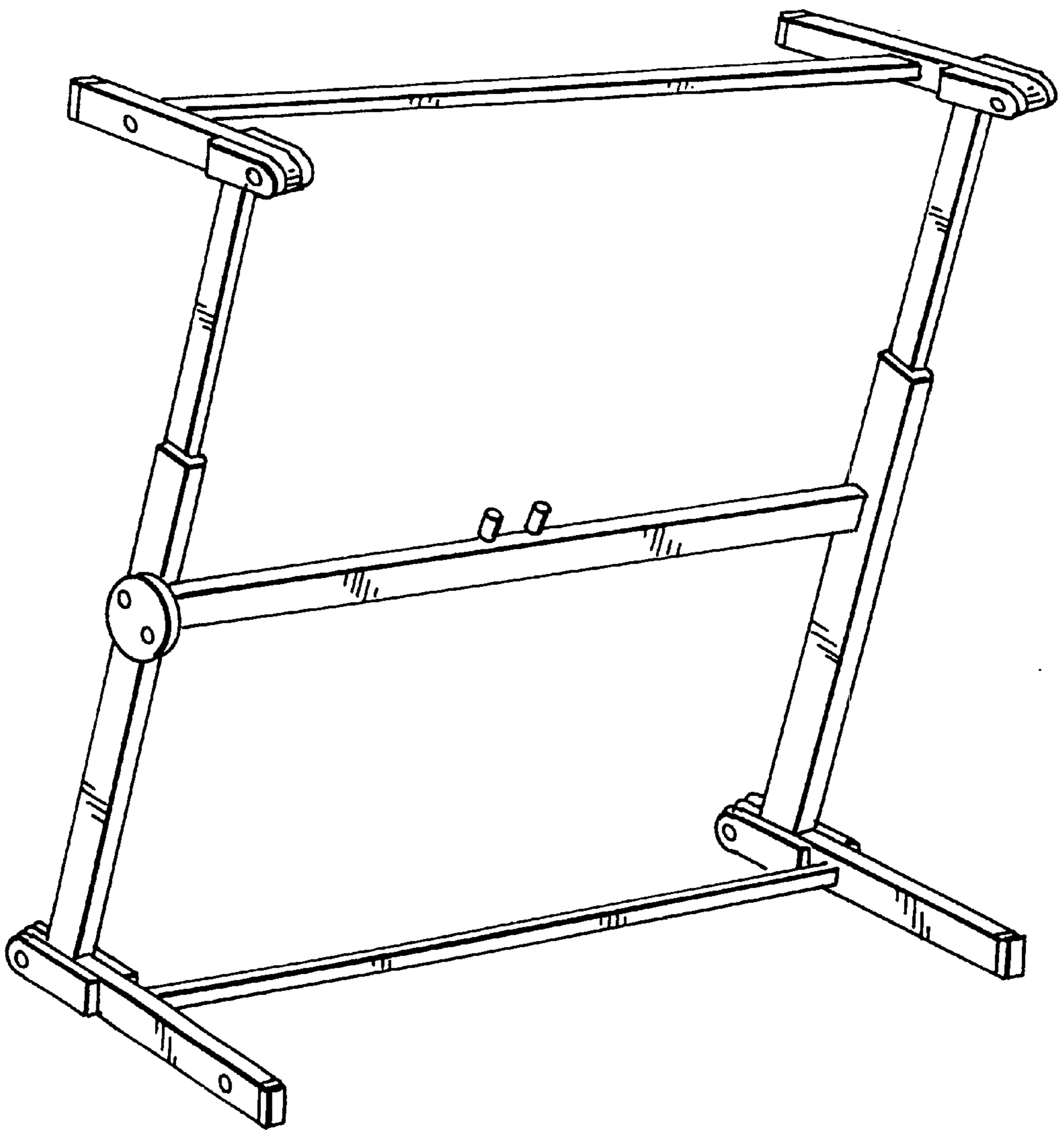


FIG. 2

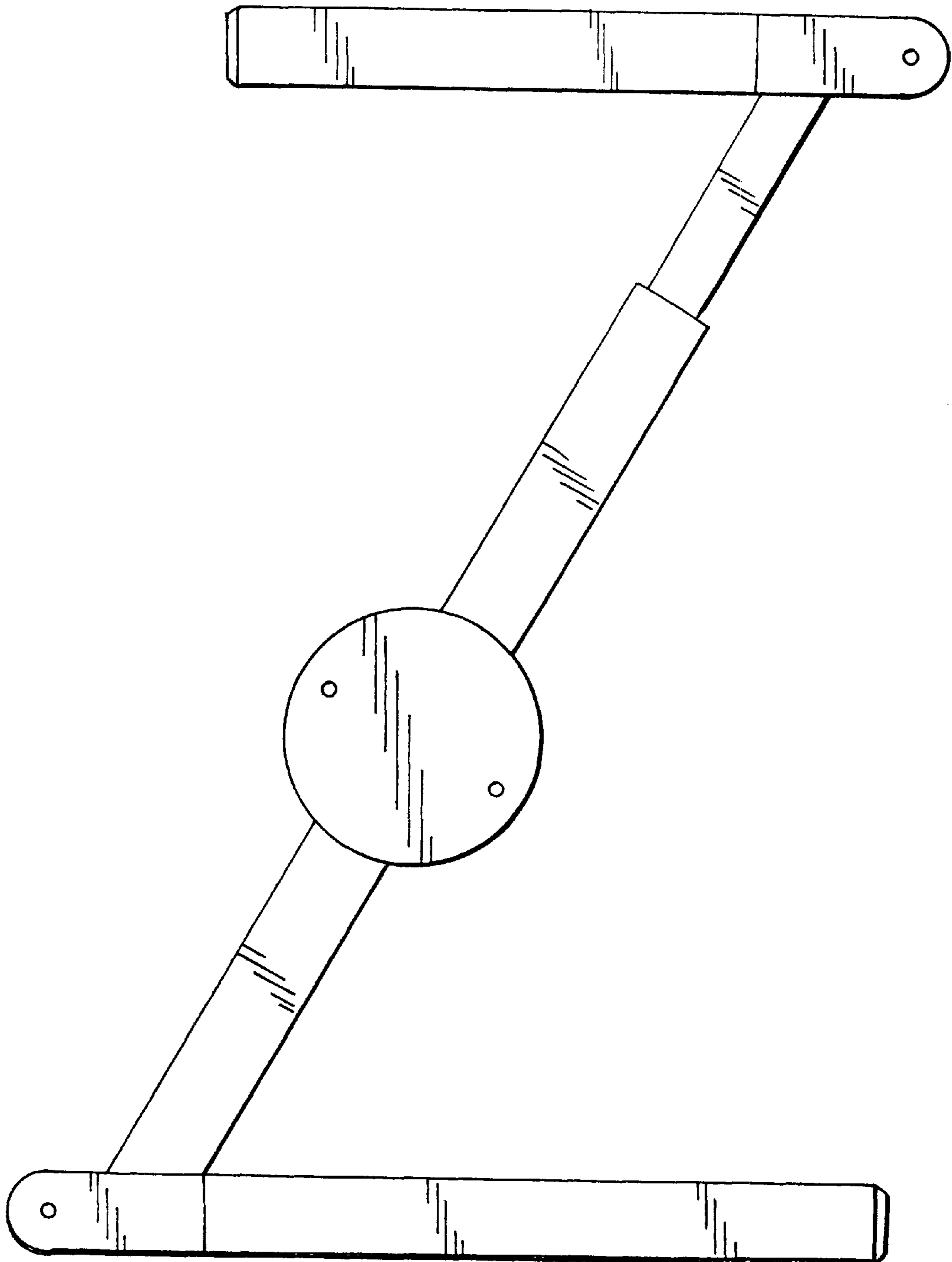


FIG. 3

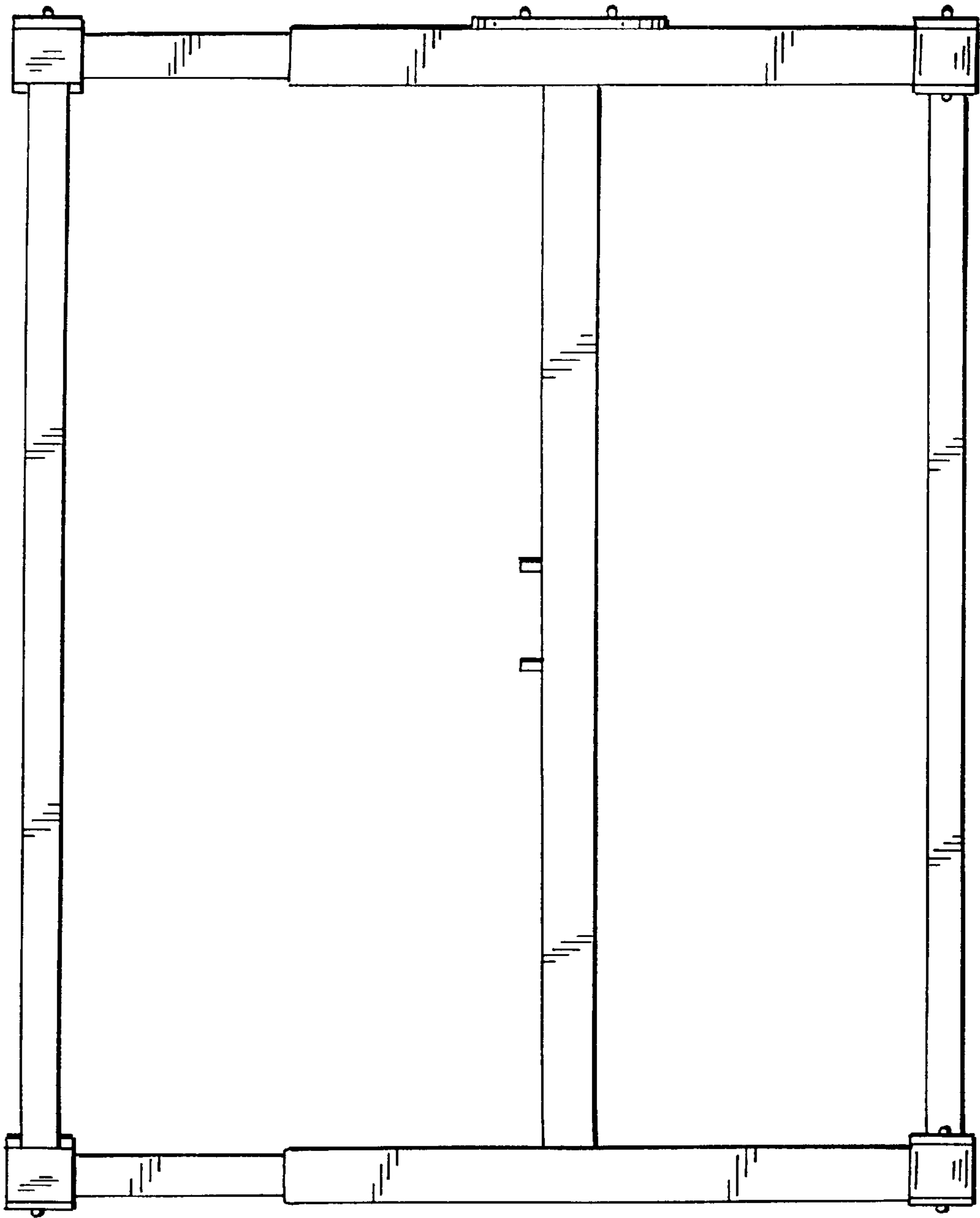


FIG. 4

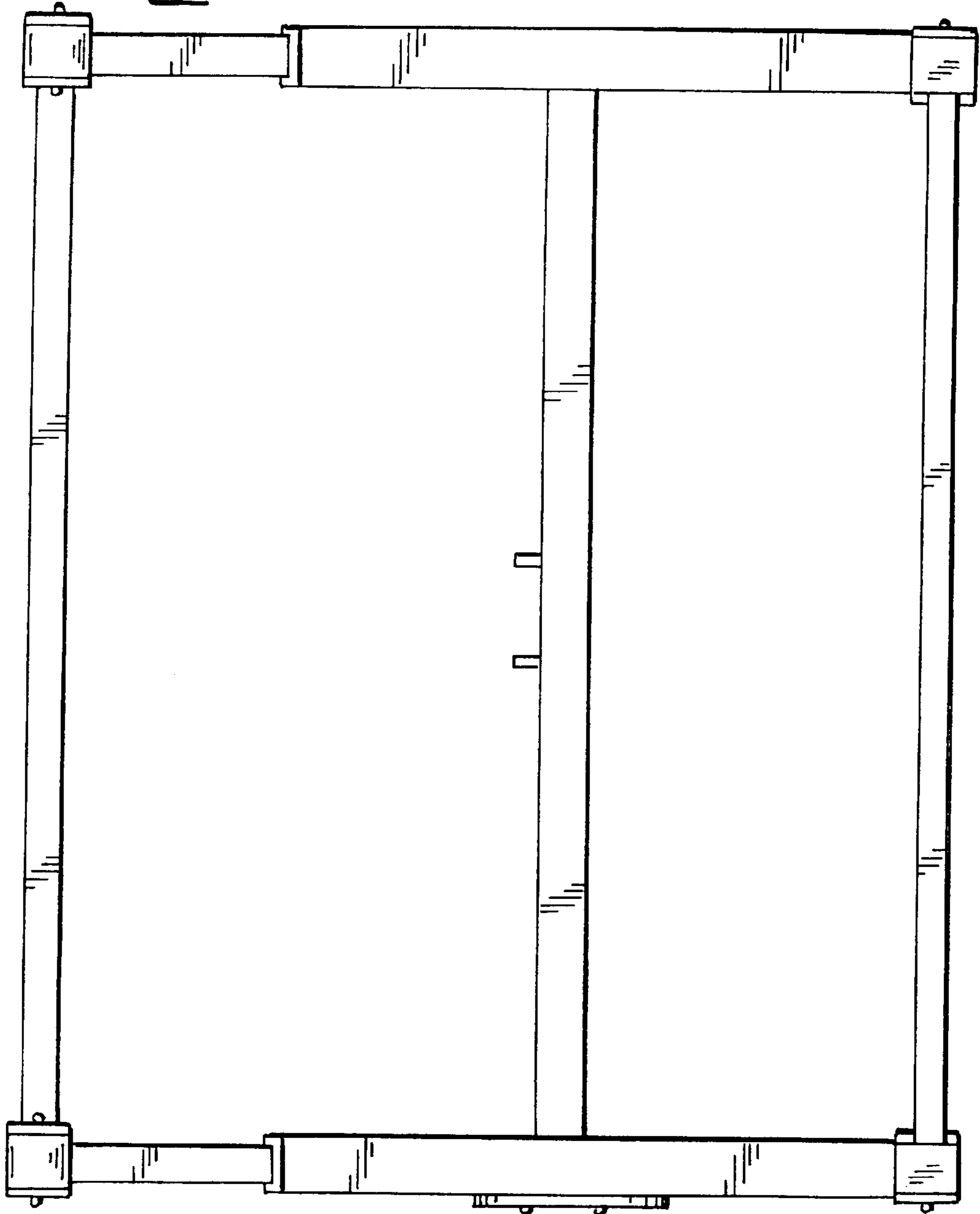


FIG. 5

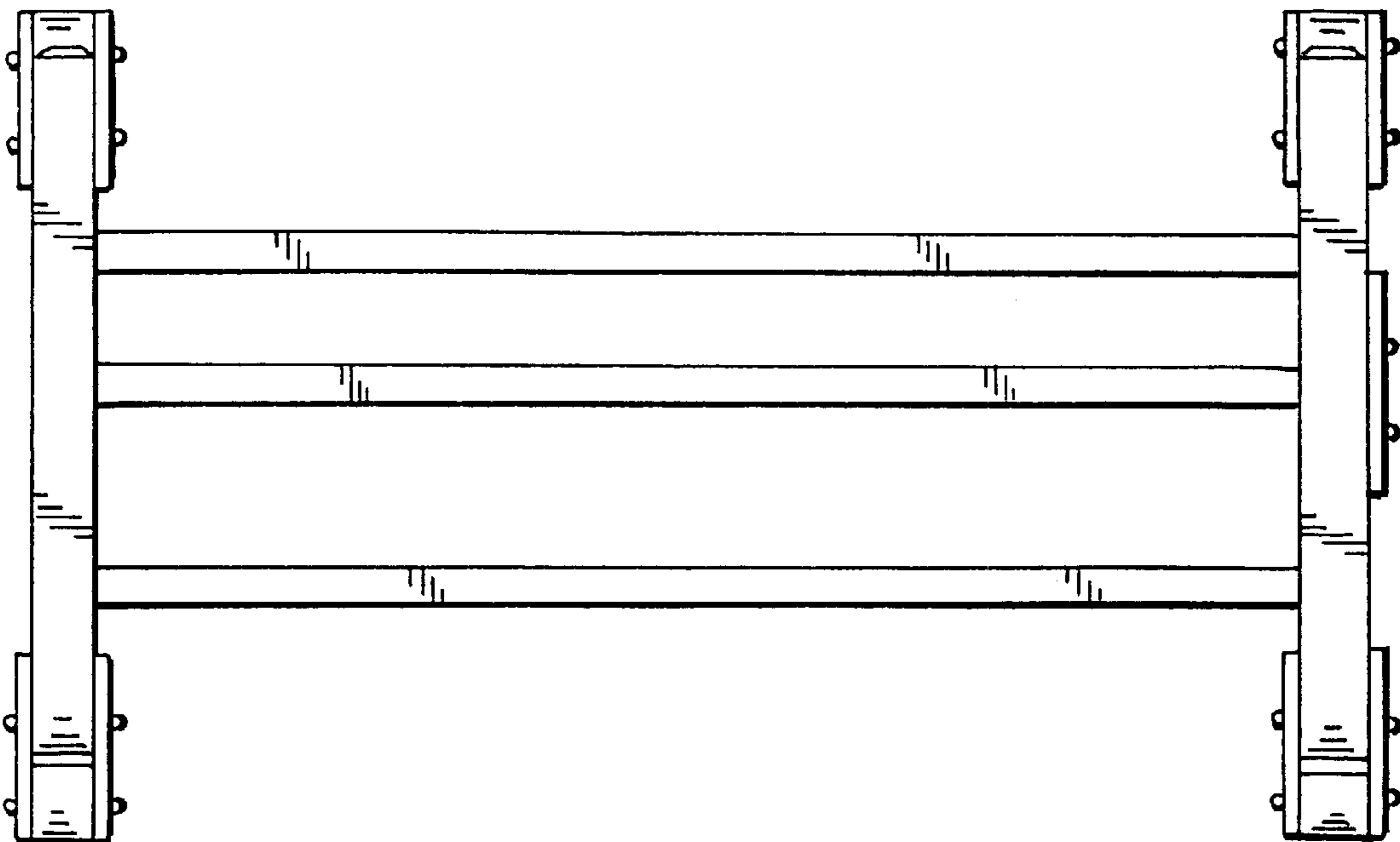
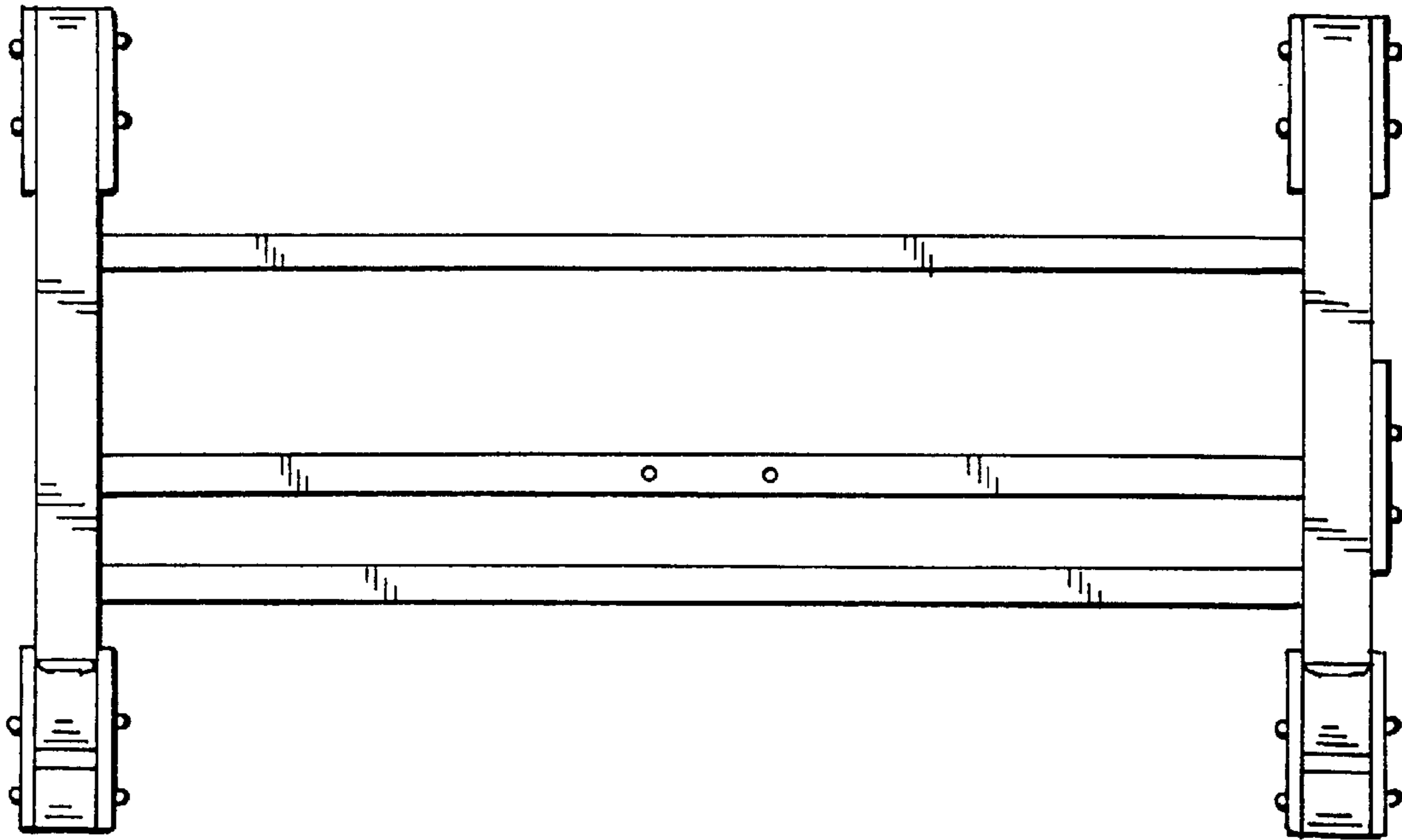


FIG. 6

FIG. 7

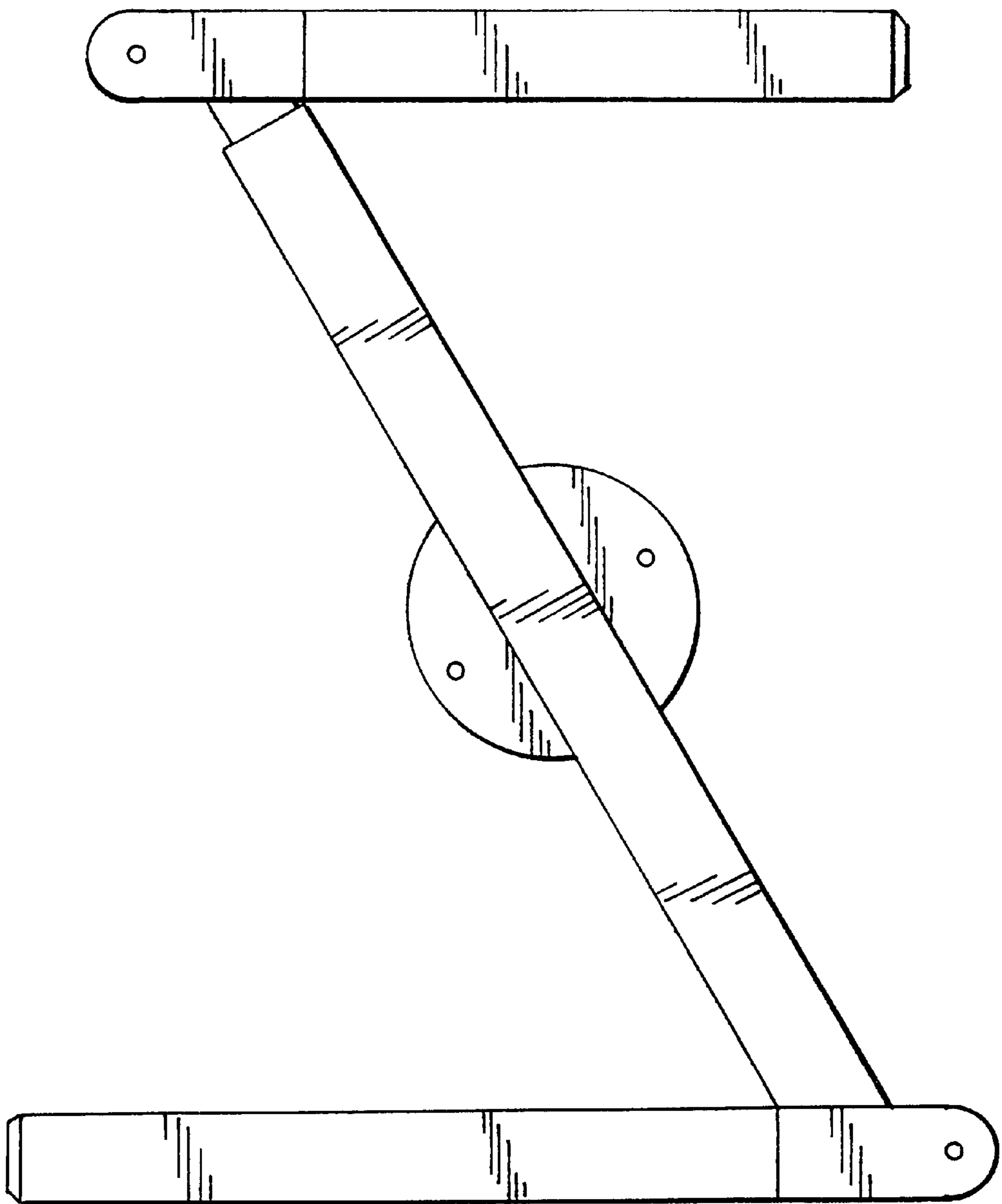


FIG. 8

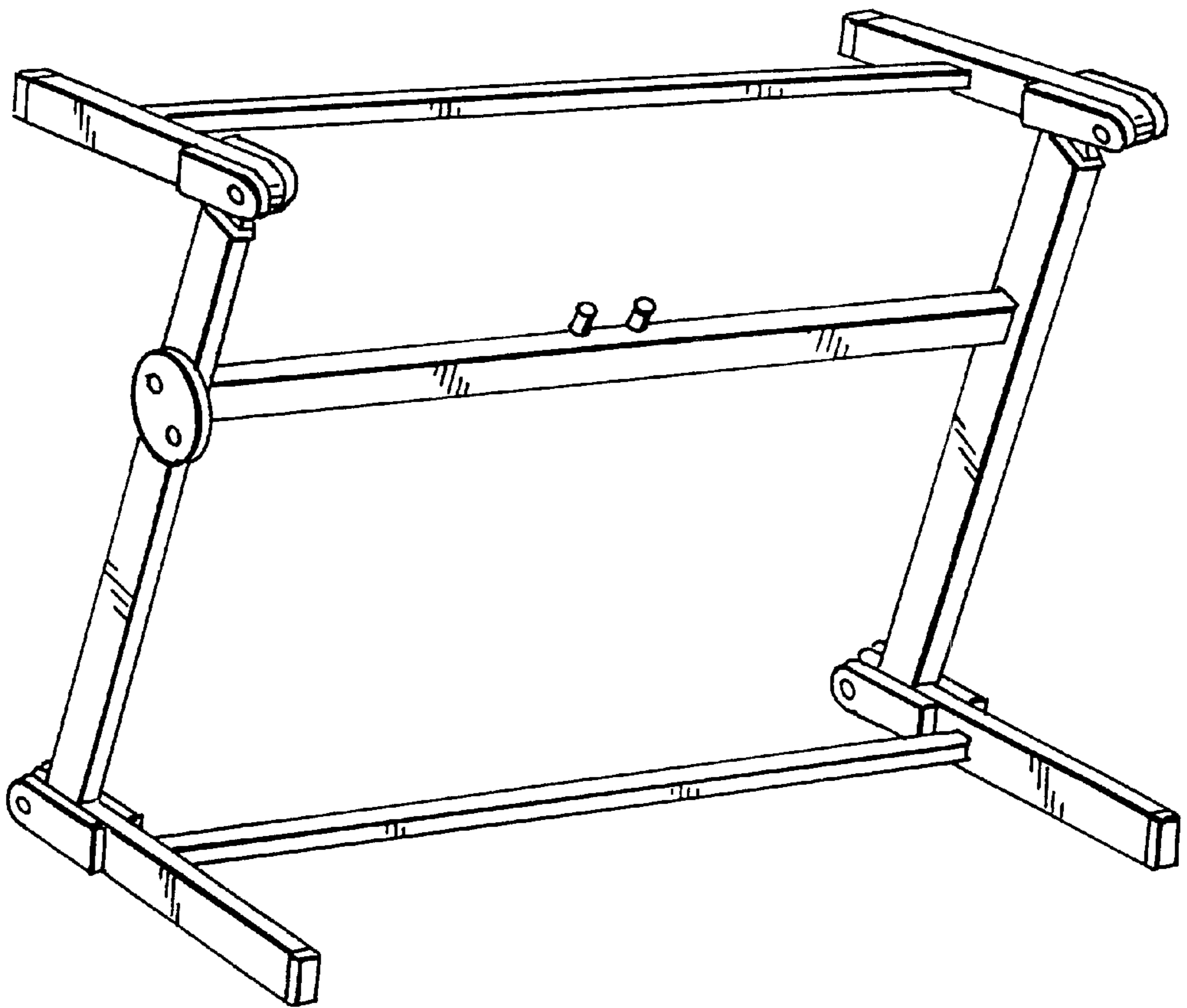


FIG. 9

