



US00D470335S

(12) **United States Design Patent**
Brooks

(10) **Patent No.:** **US D470,335 S**

(45) **Date of Patent:** **** Feb. 18, 2003**

(54) **CABINET**

(75) Inventor: **David W. Brooks**, Toronto (CA)

(73) Assignee: **Maisie G. Brooks**, Toronto (CA)

(**) Term: **14 Years**

(21) Appl. No.: **29/161,853**

(22) Filed: **Jun. 6, 2002**

(51) **LOC (7) Cl.** **06-04**

(52) **U.S. Cl.** **D6/446**

(58) **Field of Search** D6/396, 397, 432,
D6/433, 436, 440, 441, 444-448, 479, 509,
510, 511; 312/198, 138.1, 204, 213, 348.4

(56) **References Cited**

U.S. PATENT DOCUMENTS

D293,403 S	*	12/1987	Umanoff et al.	D6/555
D372,607 S	*	8/1996	Pallas	D6/445
D402,133 S	*	12/1998	Anderson	D6/436
D461,653 S	*	8/2002	Brinkmann	D6/446

* cited by examiner

Primary Examiner—Cathron C. Brooks

(74) *Attorney, Agent, or Firm*—Merek & Voorhees

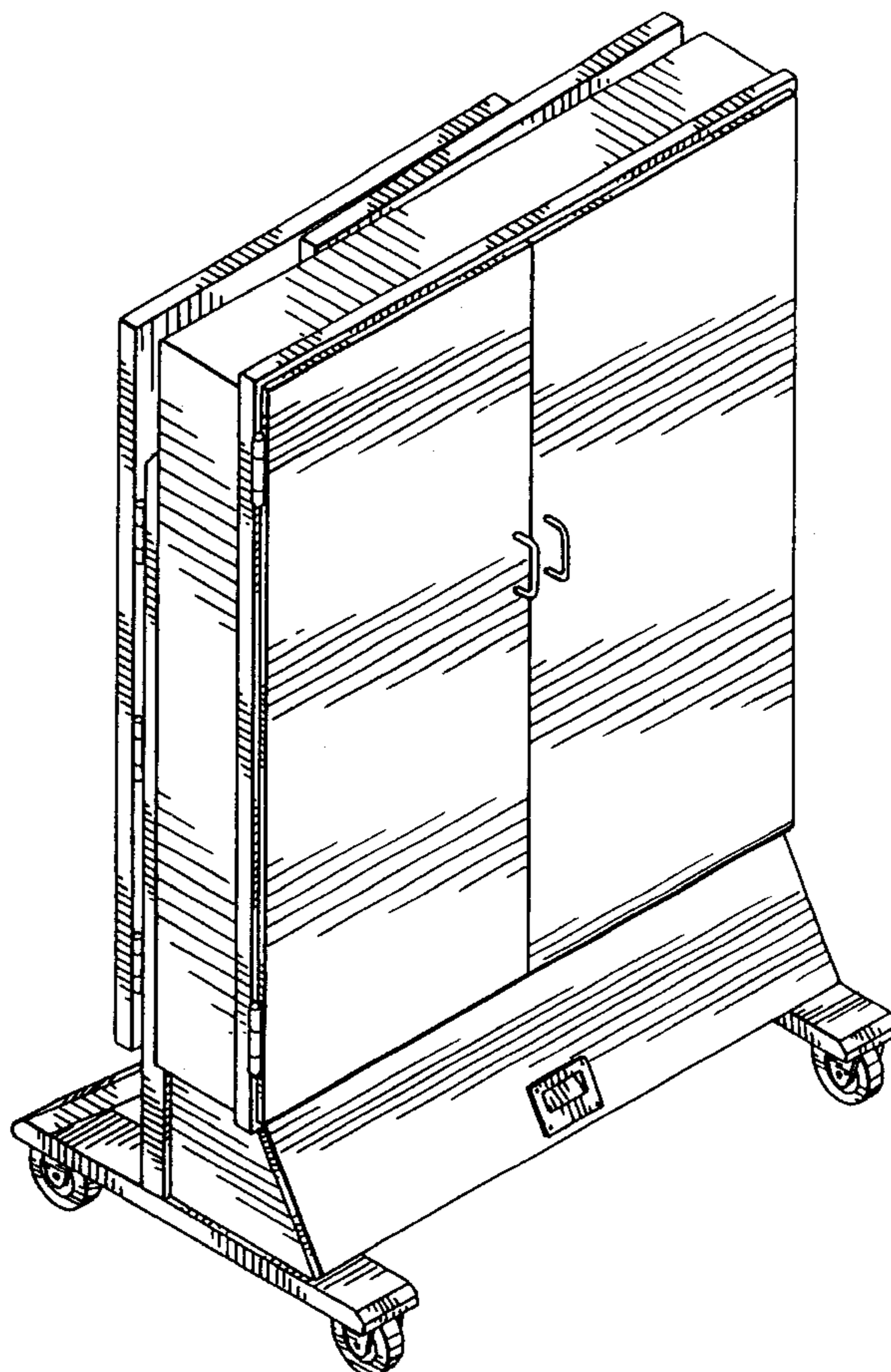
(57) **CLAIM**

The ornamental design for a cabinet, as shown and described.

DESCRIPTION

FIG. 1 is an upper front side perspective view of the cabinet;
 FIG. 2 is a front elevational view thereof;
 FIG. 3 is a rear elevational view thereof;
 FIG. 4 is a left side elevational view thereof;
 FIG. 5 is a right side elevational view thereof;
 FIG. 6 is a top plan view thereof;
 FIG. 7 is an upper front side perspective view thereof, with the rear doors shown in the opened position;
 FIG. 8 is a front elevational view of the cabinet shown in FIG. 7;
 FIG. 9 is a rear elevational view of the cabinet shown in FIG. 7;
 FIG. 10 is a left side elevational view of the cabinet shown in FIG. 7;
 FIG. 11 is a right side elevational view of the cabinet shown in FIG. 7; and,
 FIG. 12 is a top plan view of the cabinet shown in FIG. 7. The bottom of the cabinet which is not shown in the drawings or described in the specification forms no part of the claimed design.

1 Claim, 9 Drawing Sheets



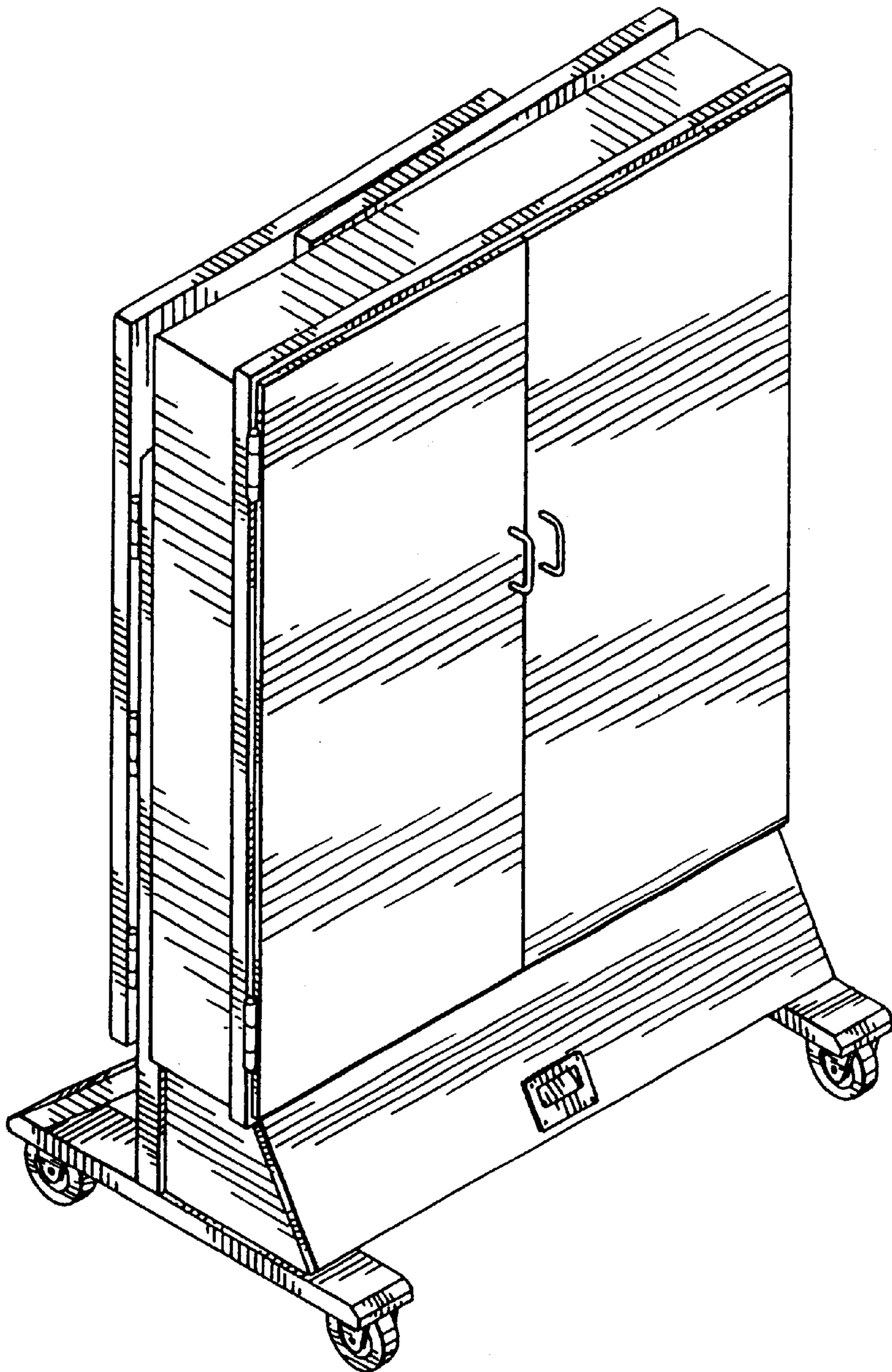


FIG. 1

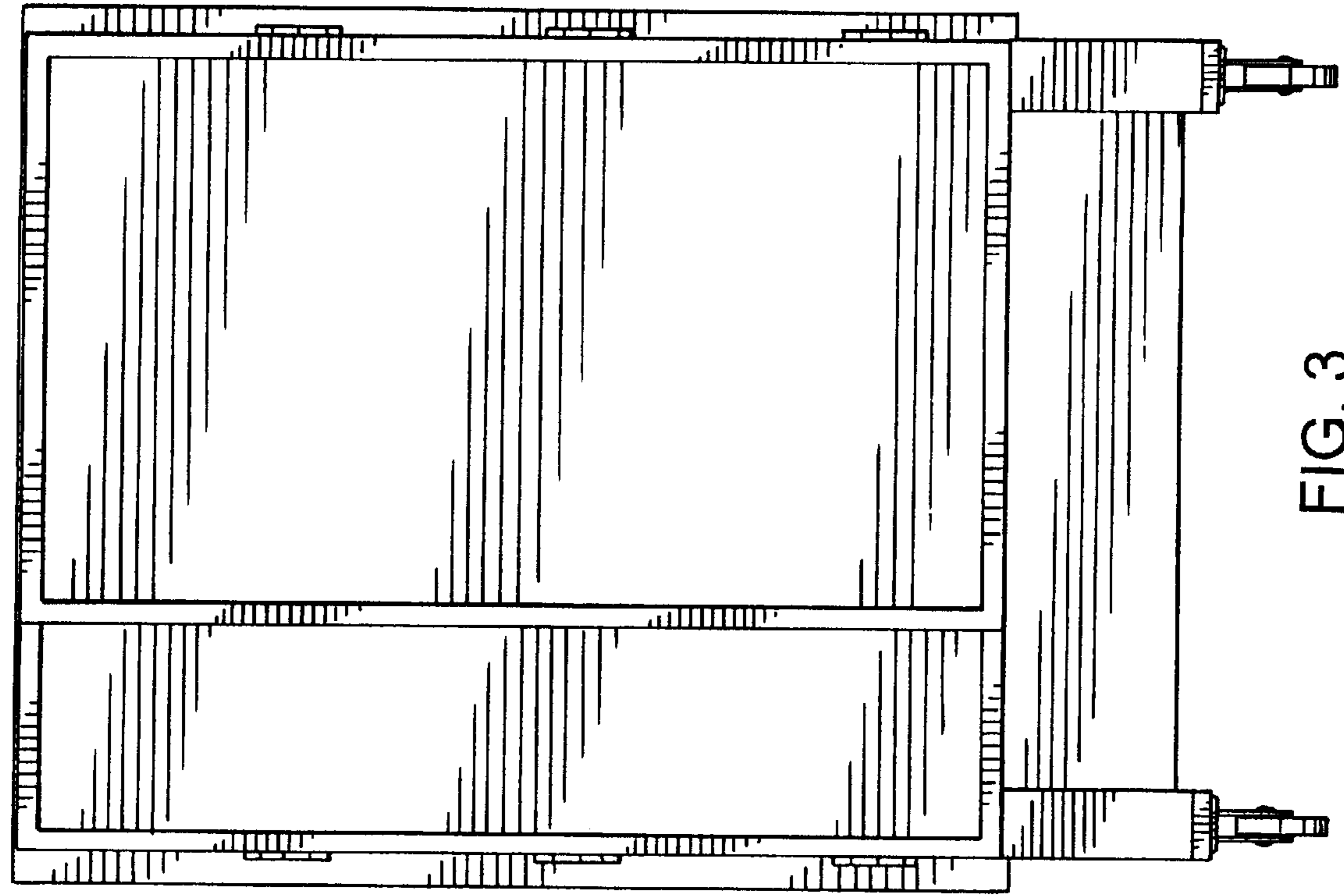


FIG. 3

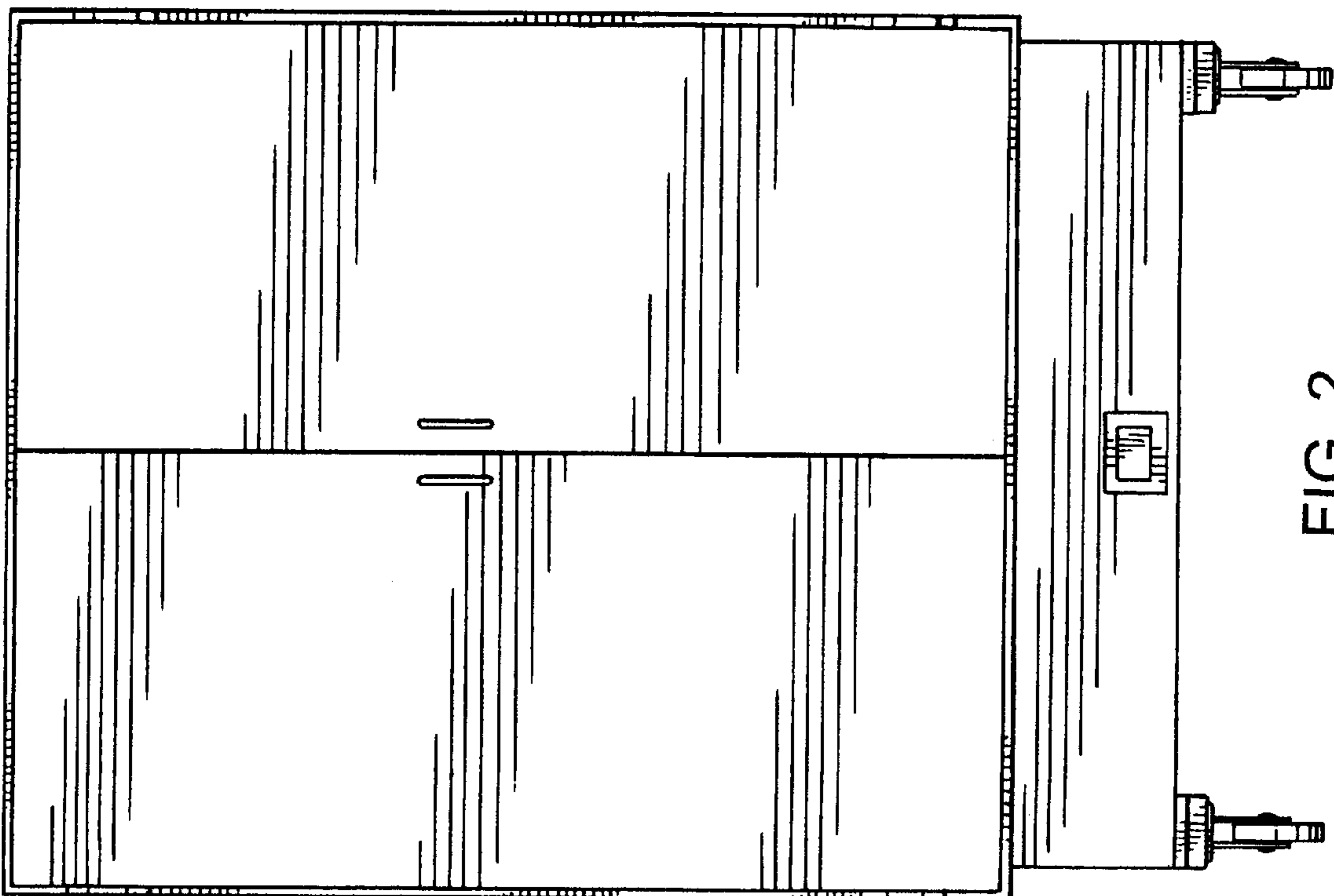
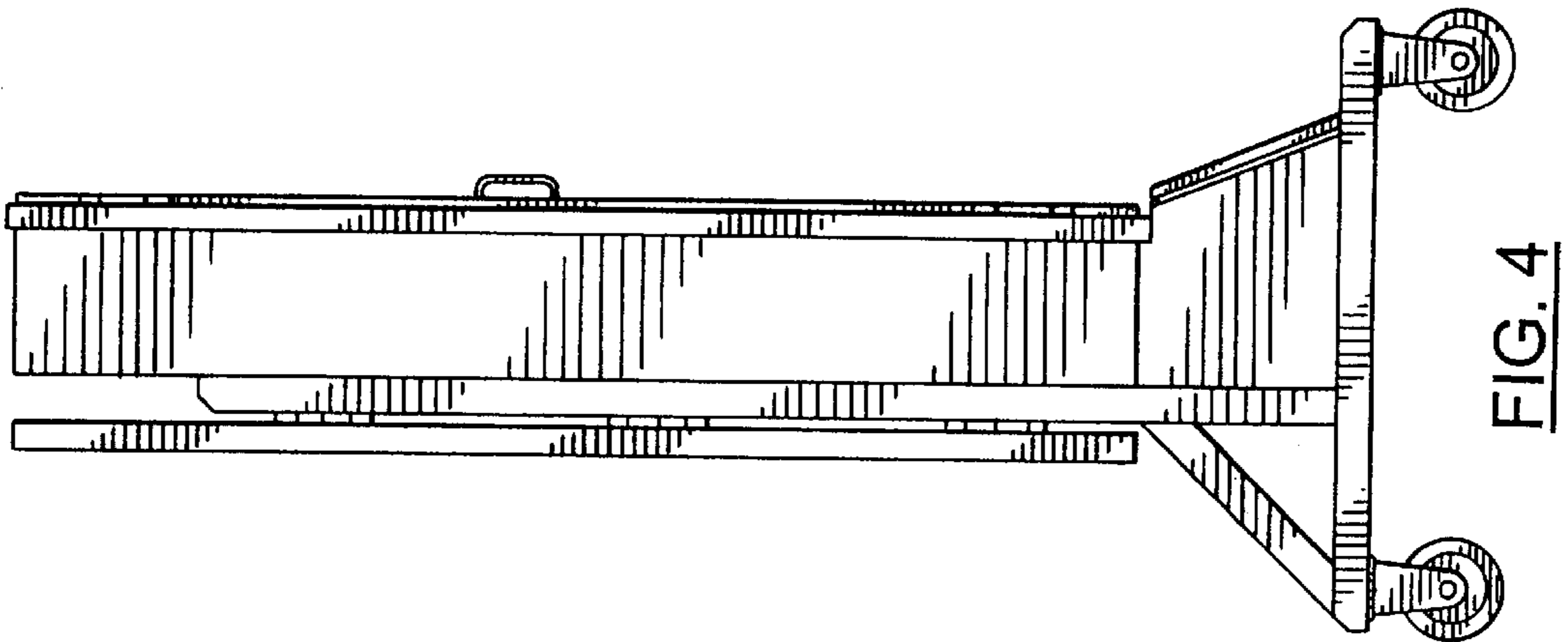
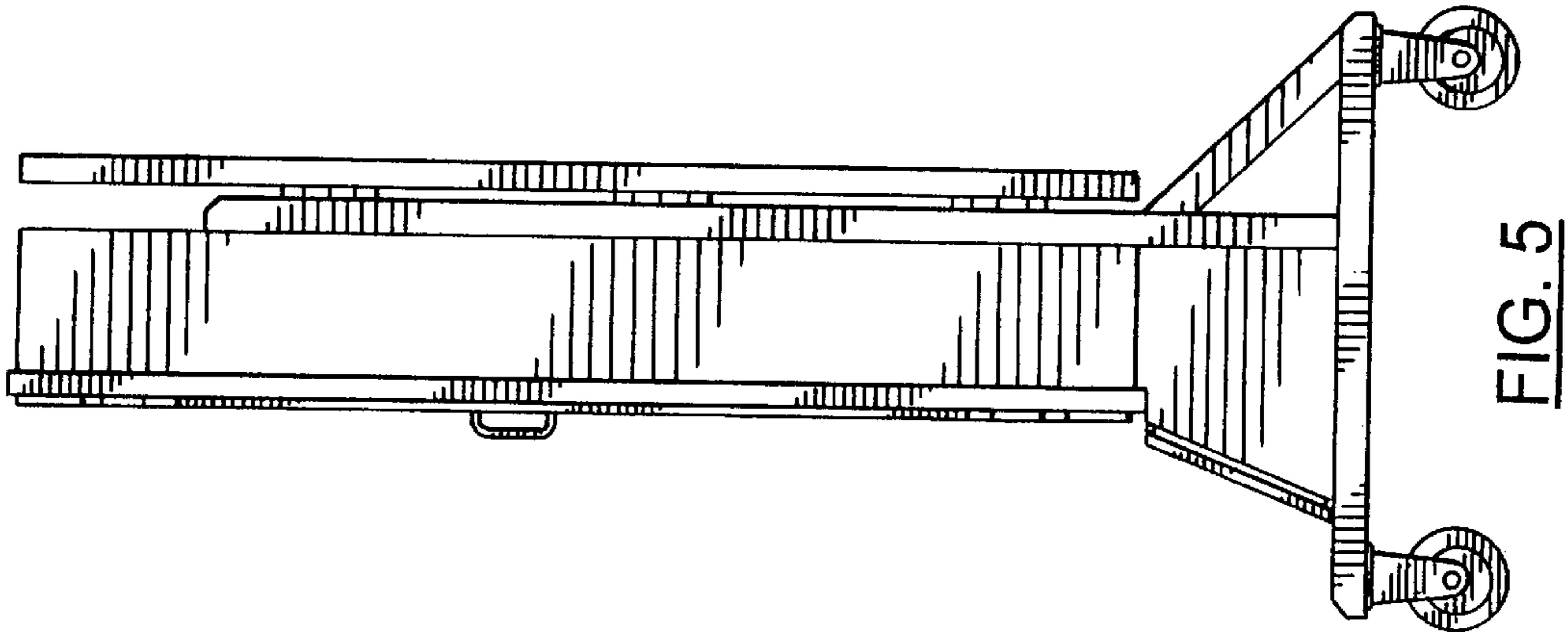


FIG. 2



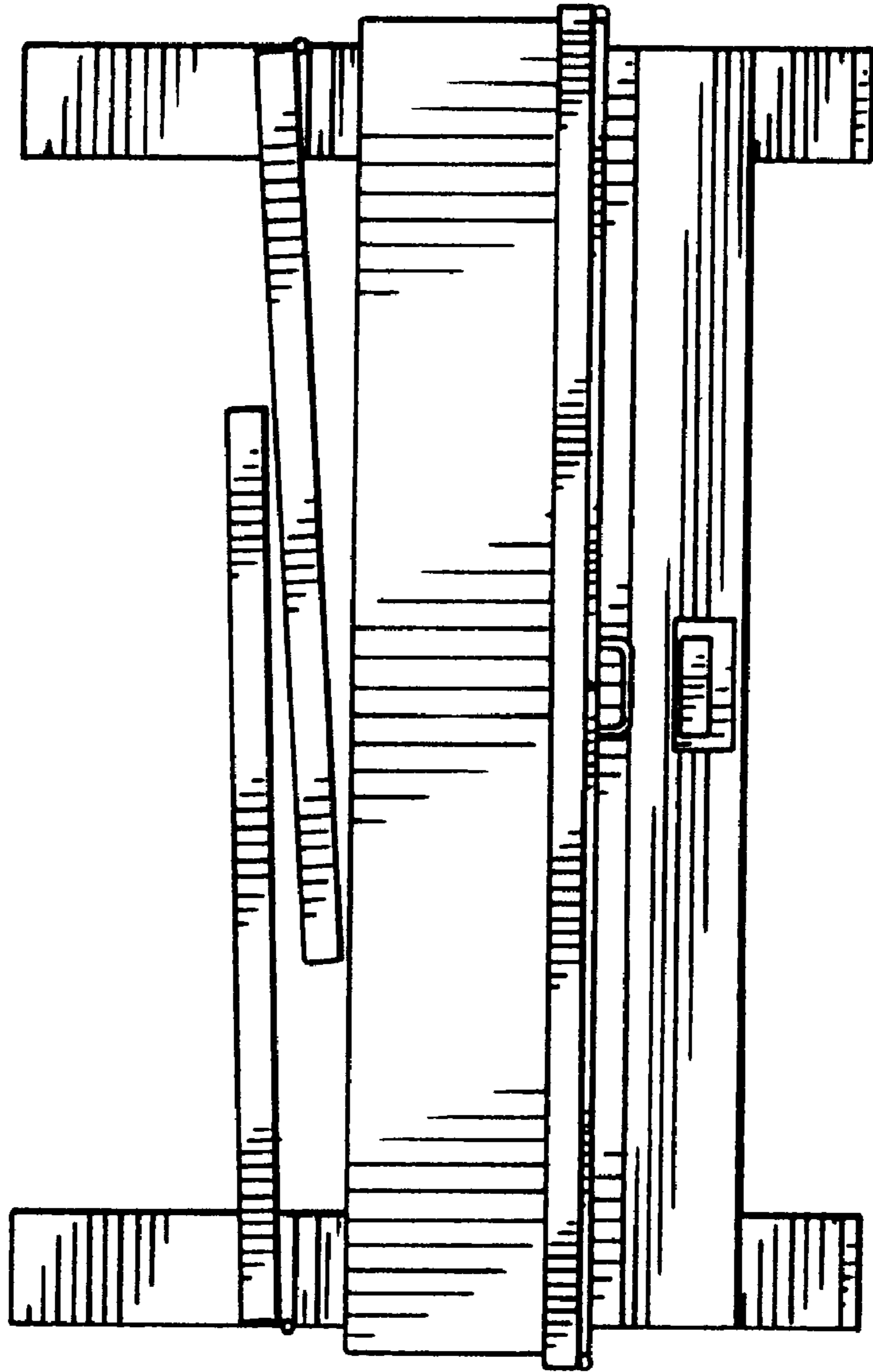


FIG. 6

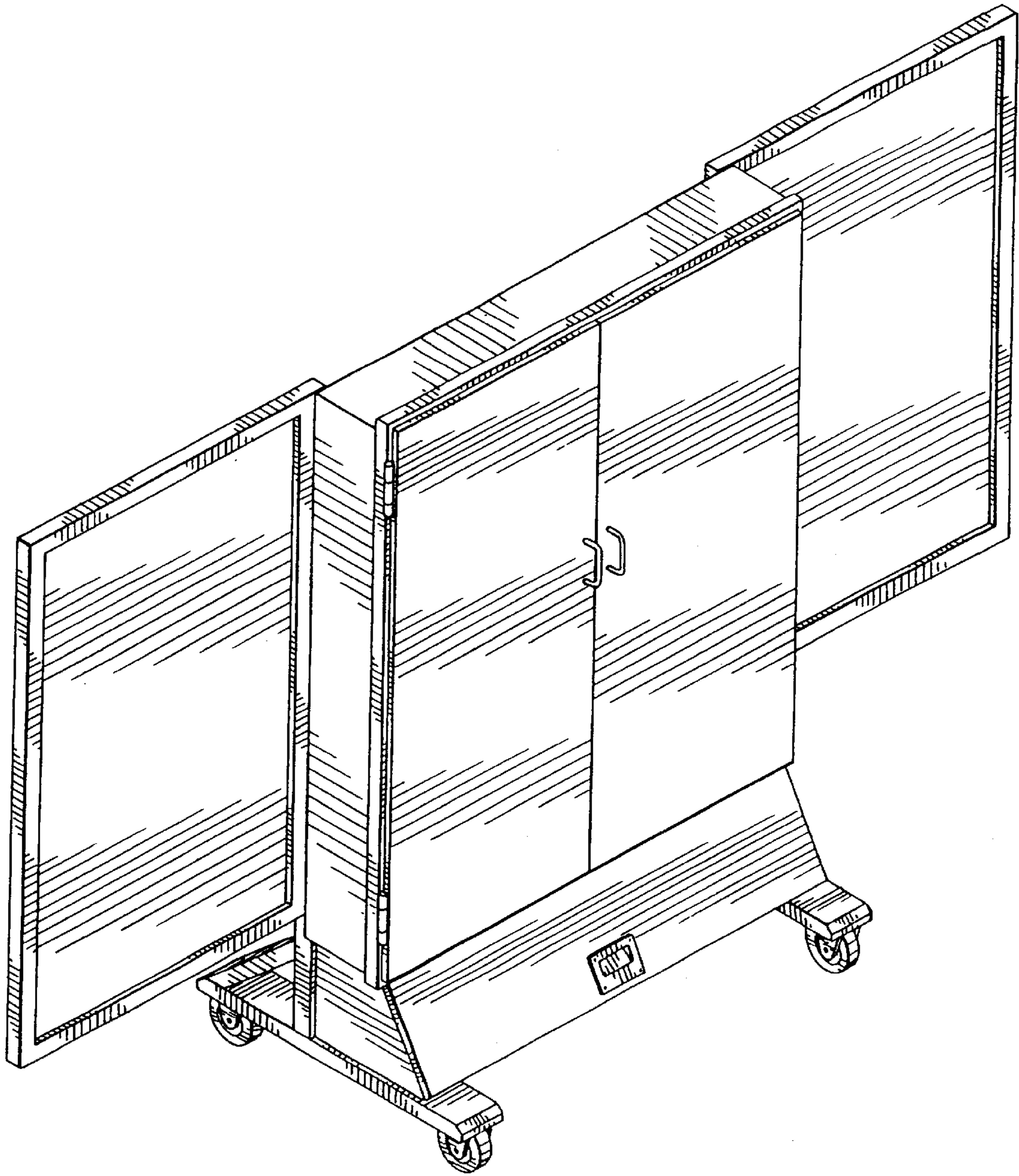


FIG. 7

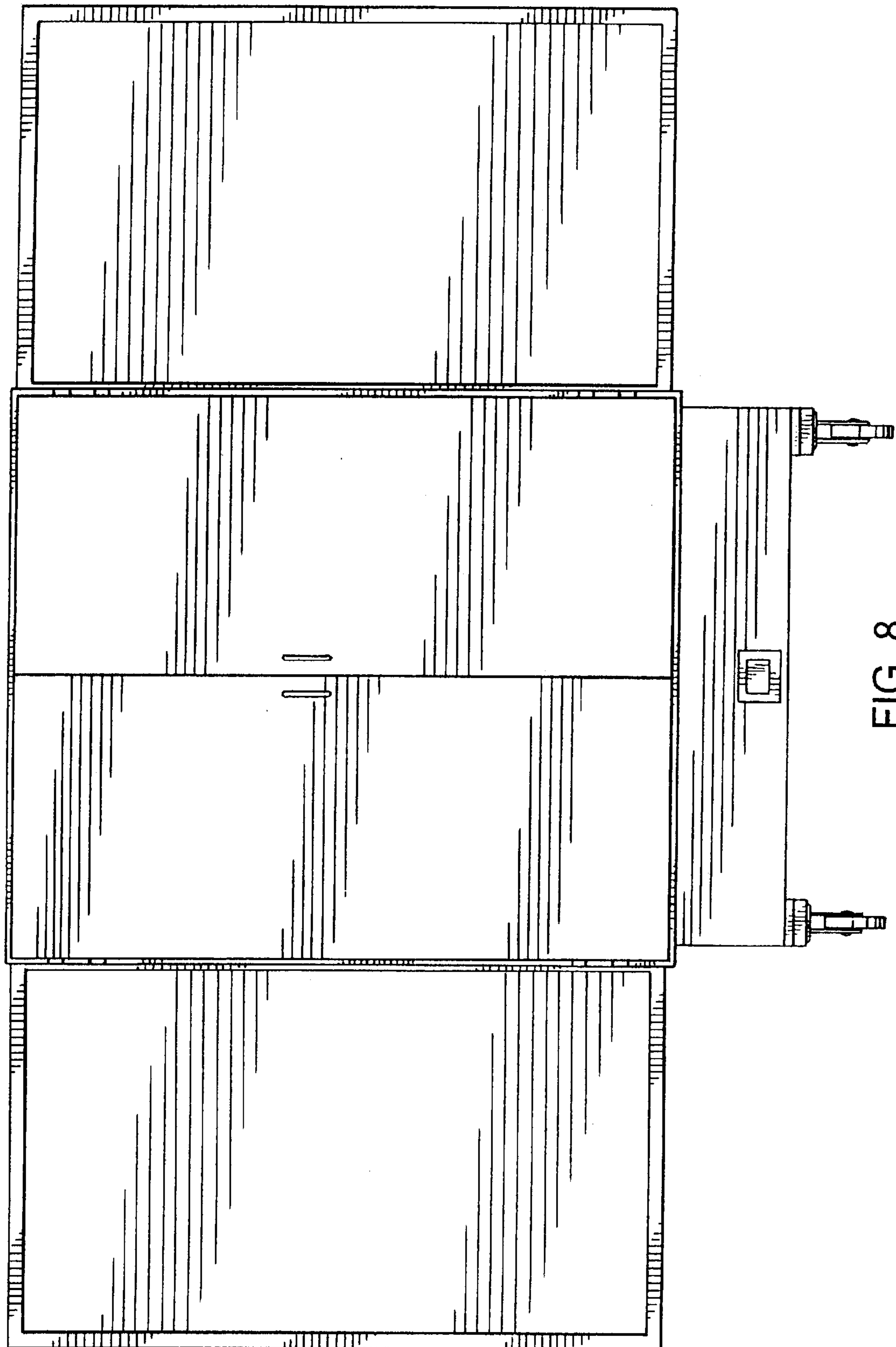


FIG. 8

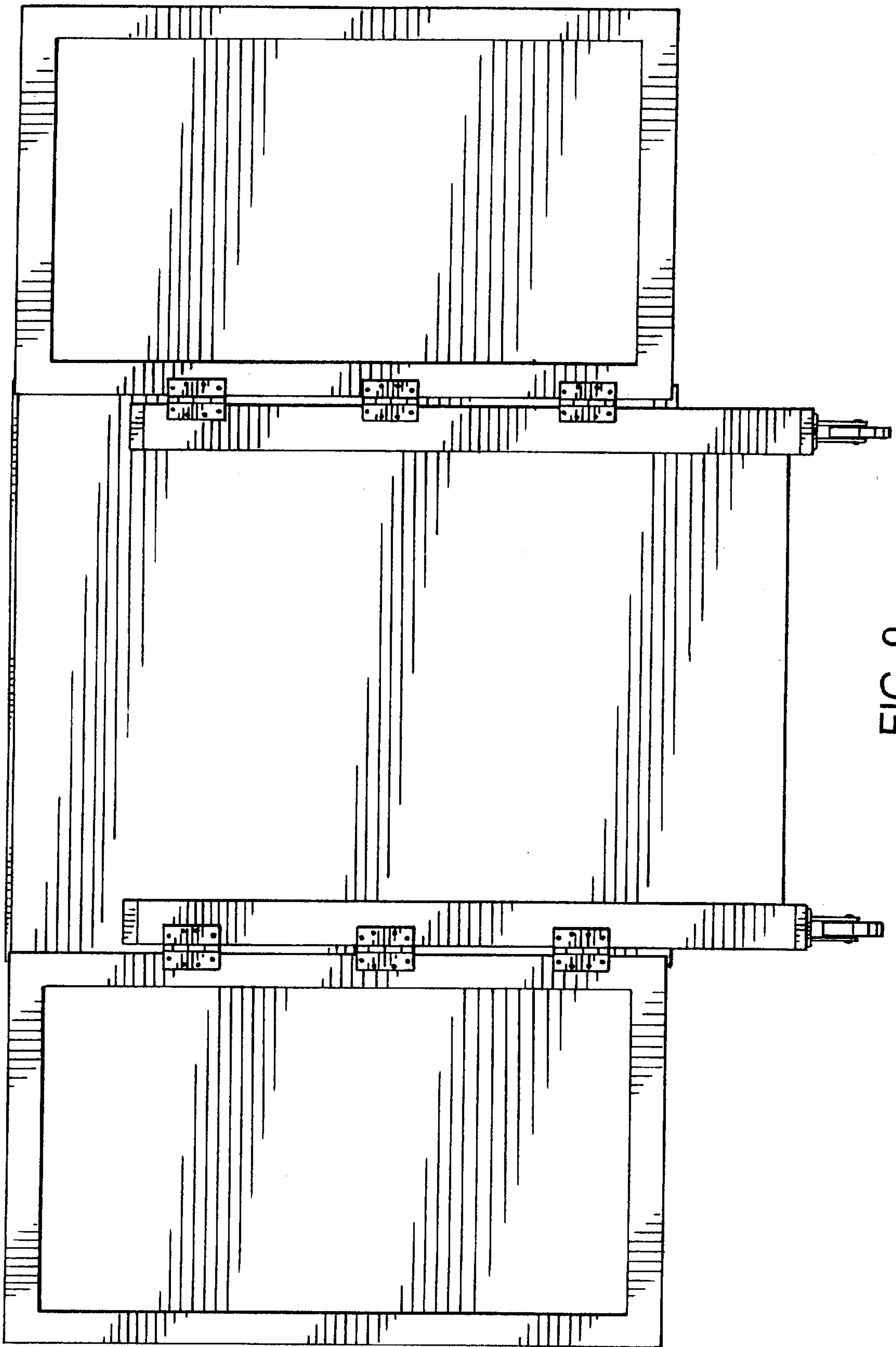


FIG. 9

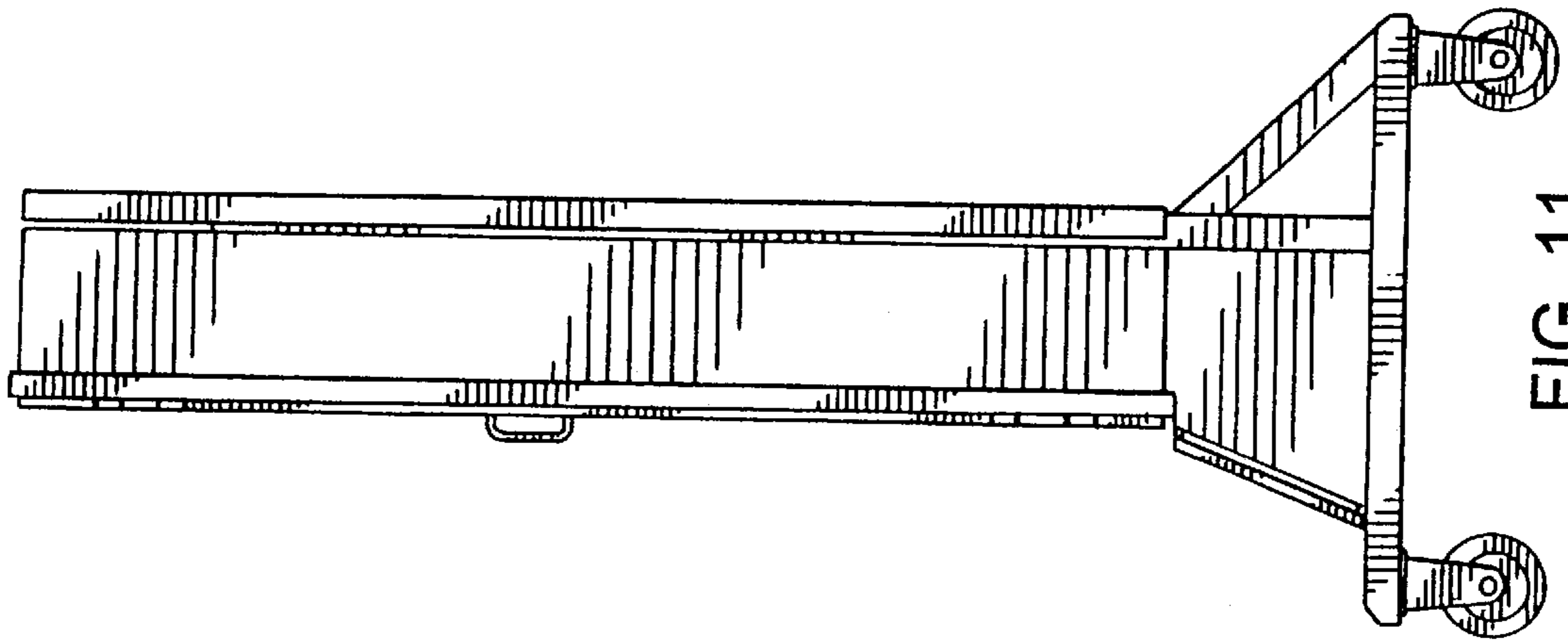


FIG. 11

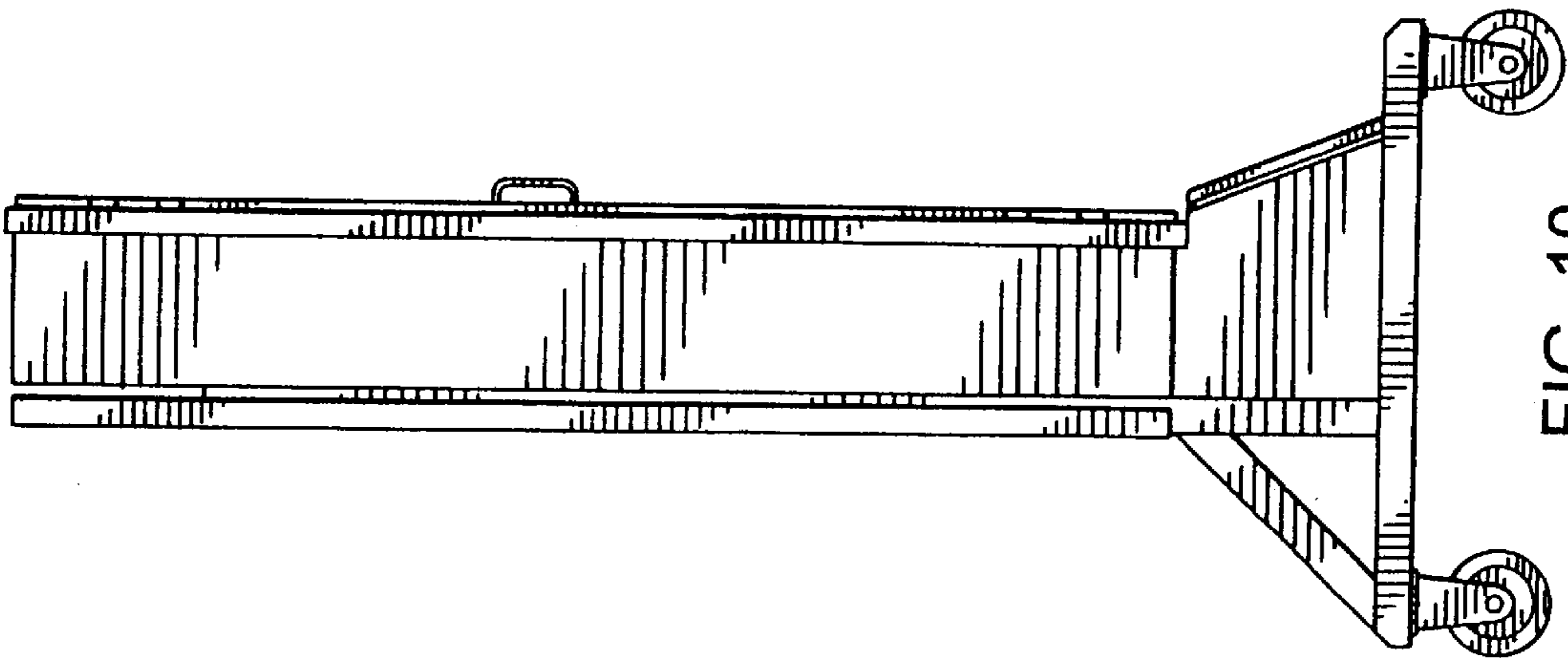


FIG. 10

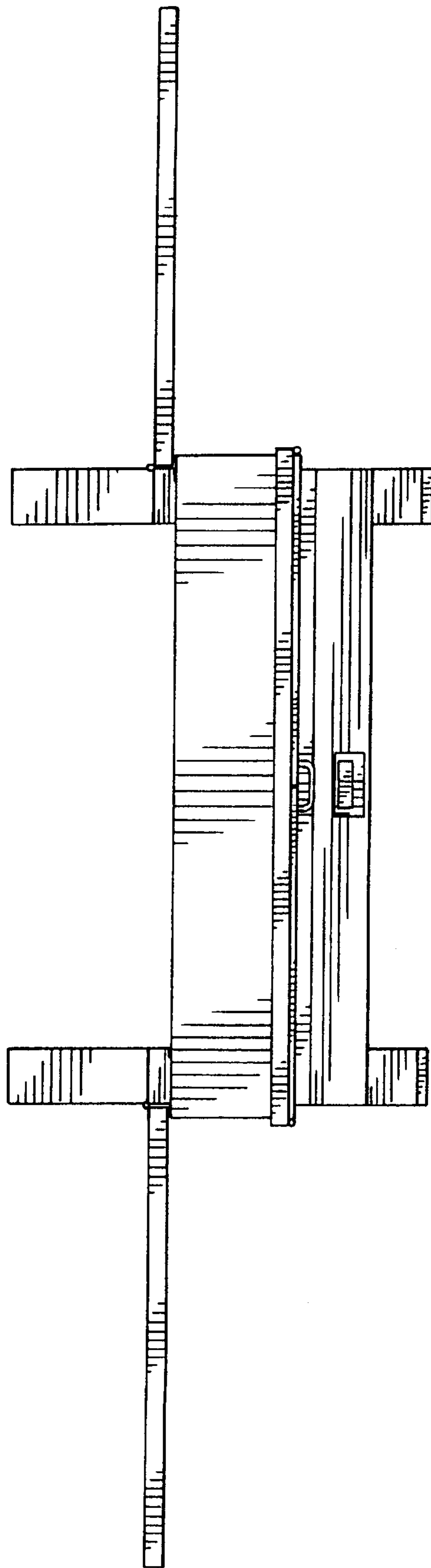


FIG. 12