



US00D470333S

(12) **United States Design Patent**  
**Roberts**

(10) **Patent No.:** **US D470,333 S**

(45) **Date of Patent:** **\*\* Feb. 18, 2003**

(54) **DESK**

(75) **Inventor:** **Gary B. Roberts**, Solon, OH (US)

(73) **Assignee:** **G. B. Roberts LLC**, Oakwood Village, OH (US)

(\*\*) **Term:** **14 Years**

(21) **Appl. No.:** **29/163,250**

(22) **Filed:** **Jun. 28, 2002**

**Related U.S. Application Data**

(62) Division of application No. 29/132,537, filed on Nov. 10, 2000.

(51) **LOC (7) Cl.** ..... **06-03**

(52) **U.S. Cl.** ..... **D6/422; D6/485**

(58) **Field of Search** ..... D6/422-428, 485, D6/484, 495, 486; 312/194-196, 208.1; 108/50.01, 50.02

(56) **References Cited**

**U.S. PATENT DOCUMENTS**

D117,253 S \* 9/1939 Brainard ..... D6/422

D238,230 S \* 12/1975 Sklaroff ..... D6/422

D247,731 S \* 4/1978 Robinson ..... D6/422

D327,789 S \* 7/1992 Caturla et al. .... D6/422

\* cited by examiner

*Primary Examiner*—Janice E. Seeger

(74) *Attorney, Agent, or Firm*—Calfee, Halter & Griswold LLP

(57) **CLAIM**

The ornamental design for a desk, as shown and described.

**DESCRIPTION**

FIG. 1 is a front perspective view of the desk.

FIG. 2 is a front elevational view of the desk.

FIG. 3 is a left side elevational view of the desk.

FIG. 4 is a top plan view of the desk.

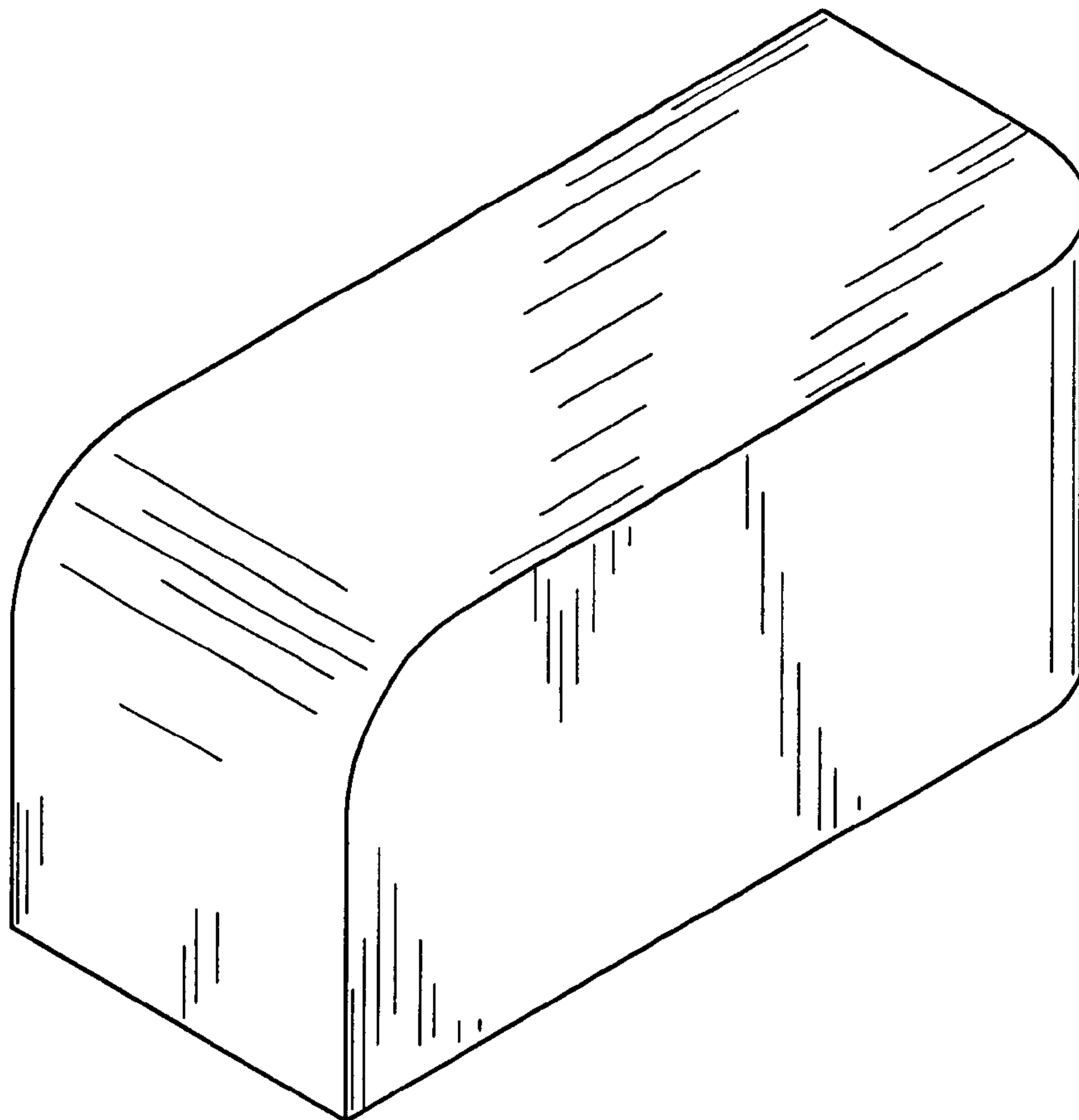
FIG. 5 is a bottom plan view of the desk.

FIG. 6 is a rear elevational view of the desk; and,

FIG. 7 is a right side elevational view of the desk.

The broken line showings in the drawings are for illustrative purposes only and form no part of the claimed design.

**1 Claim, 2 Drawing Sheets**



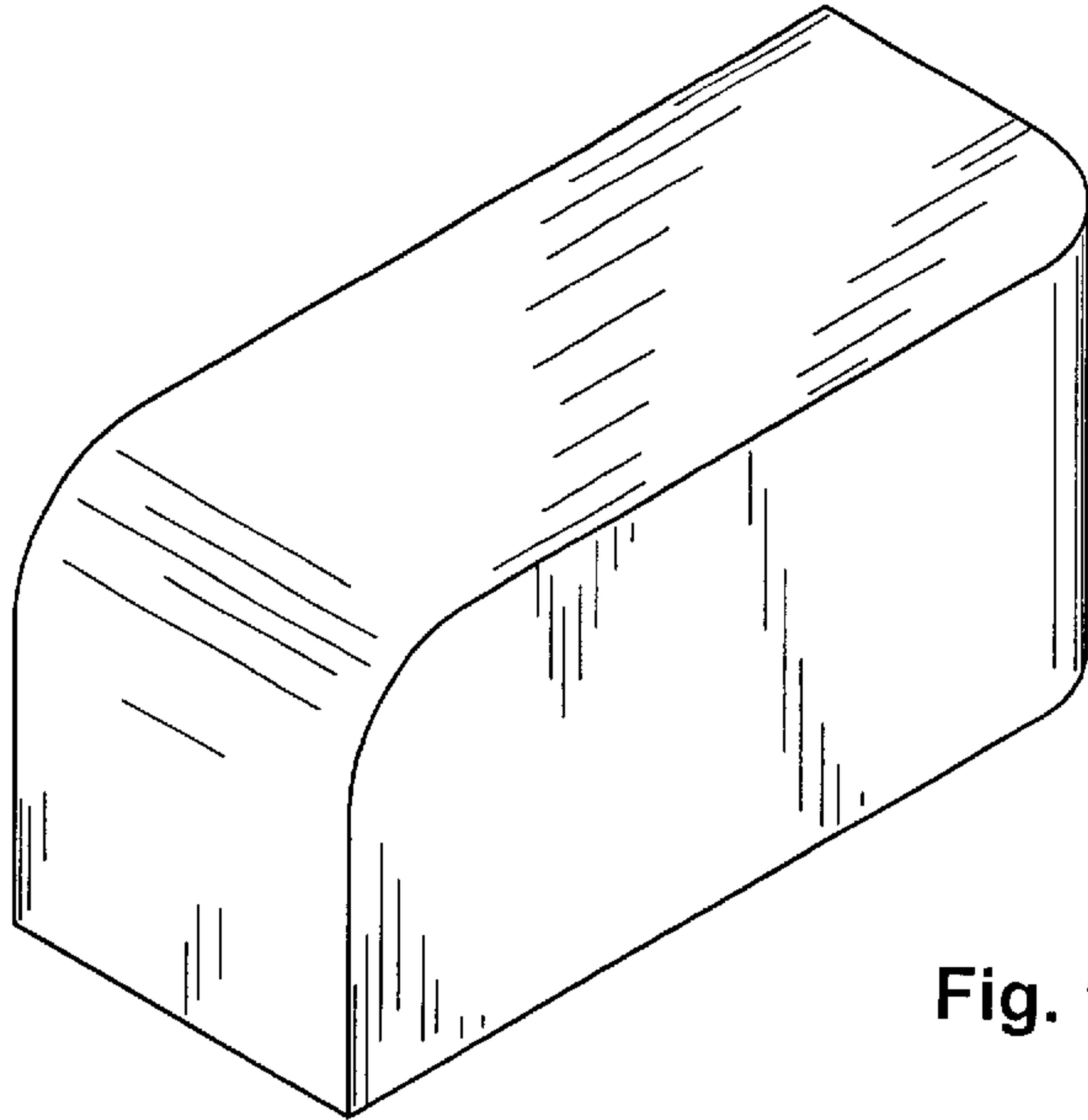


Fig. 1

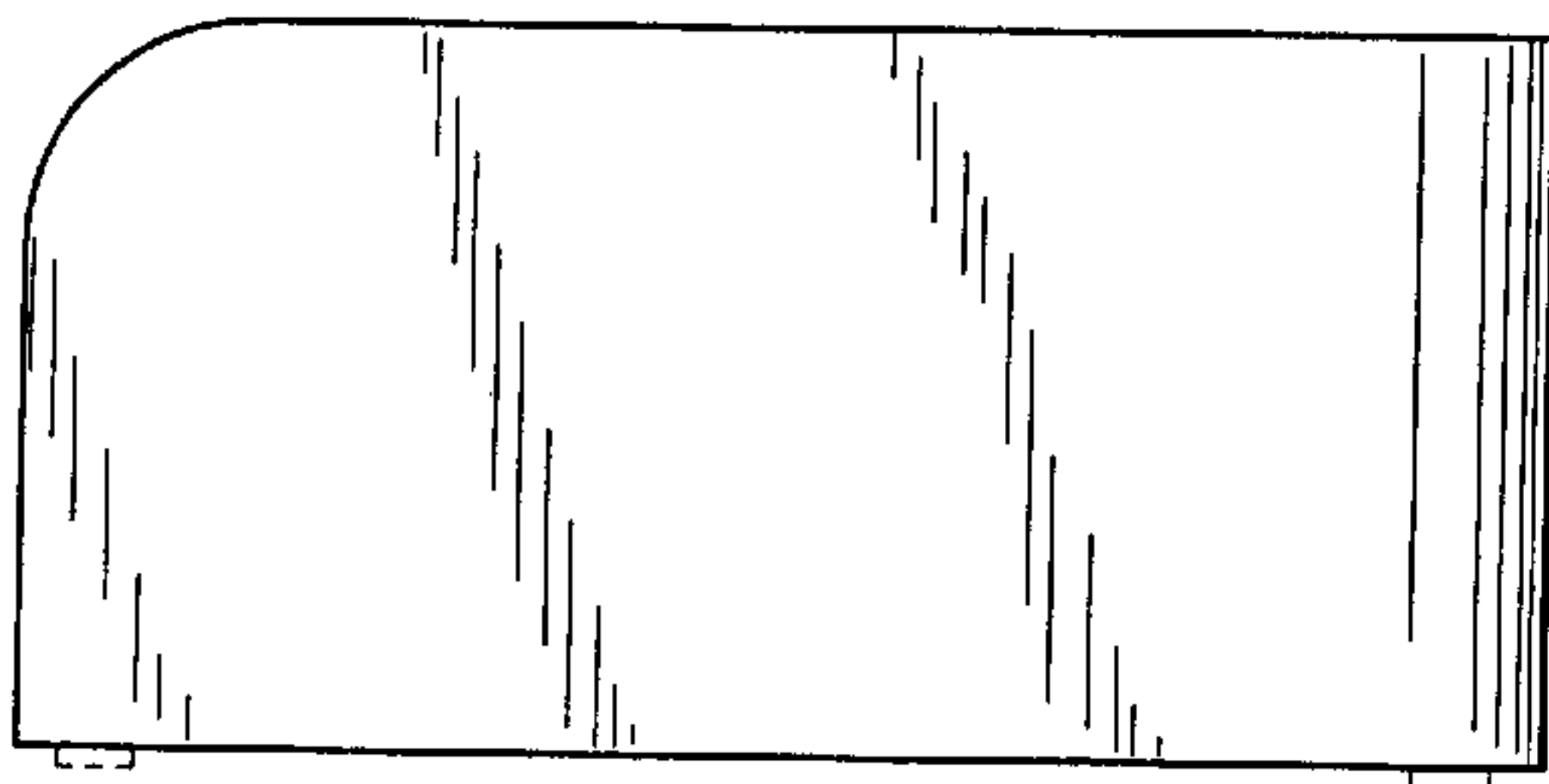


Fig. 2

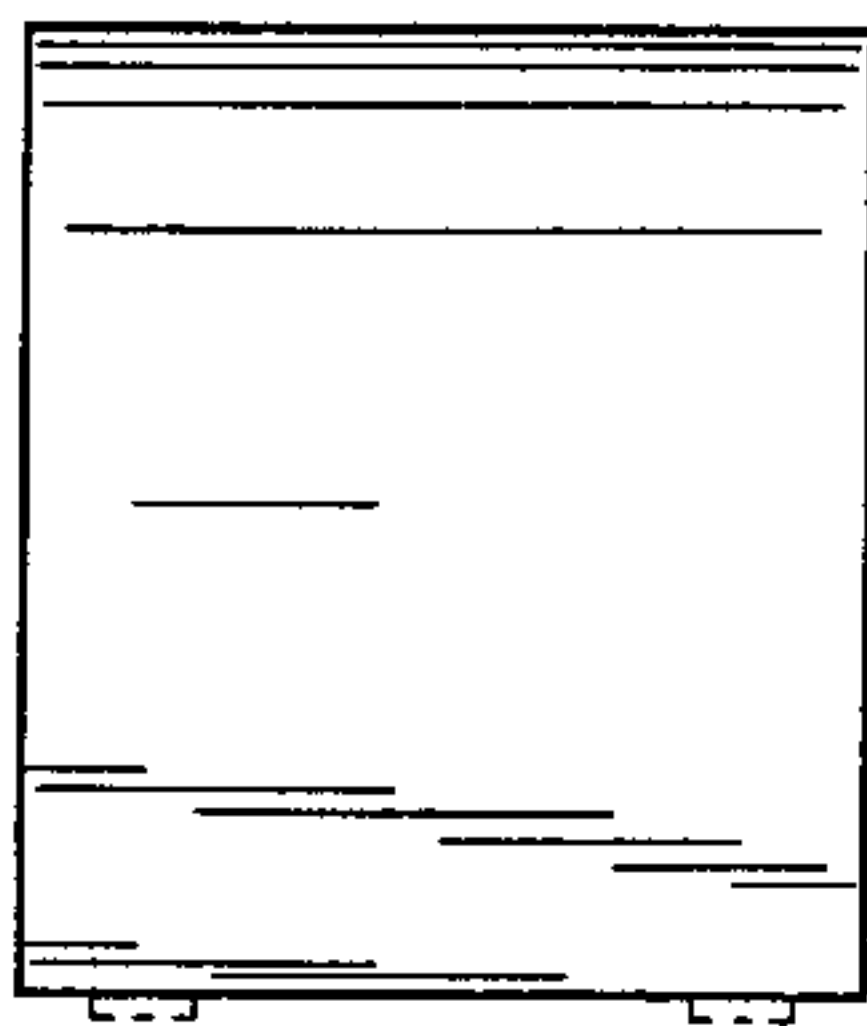


Fig. 3

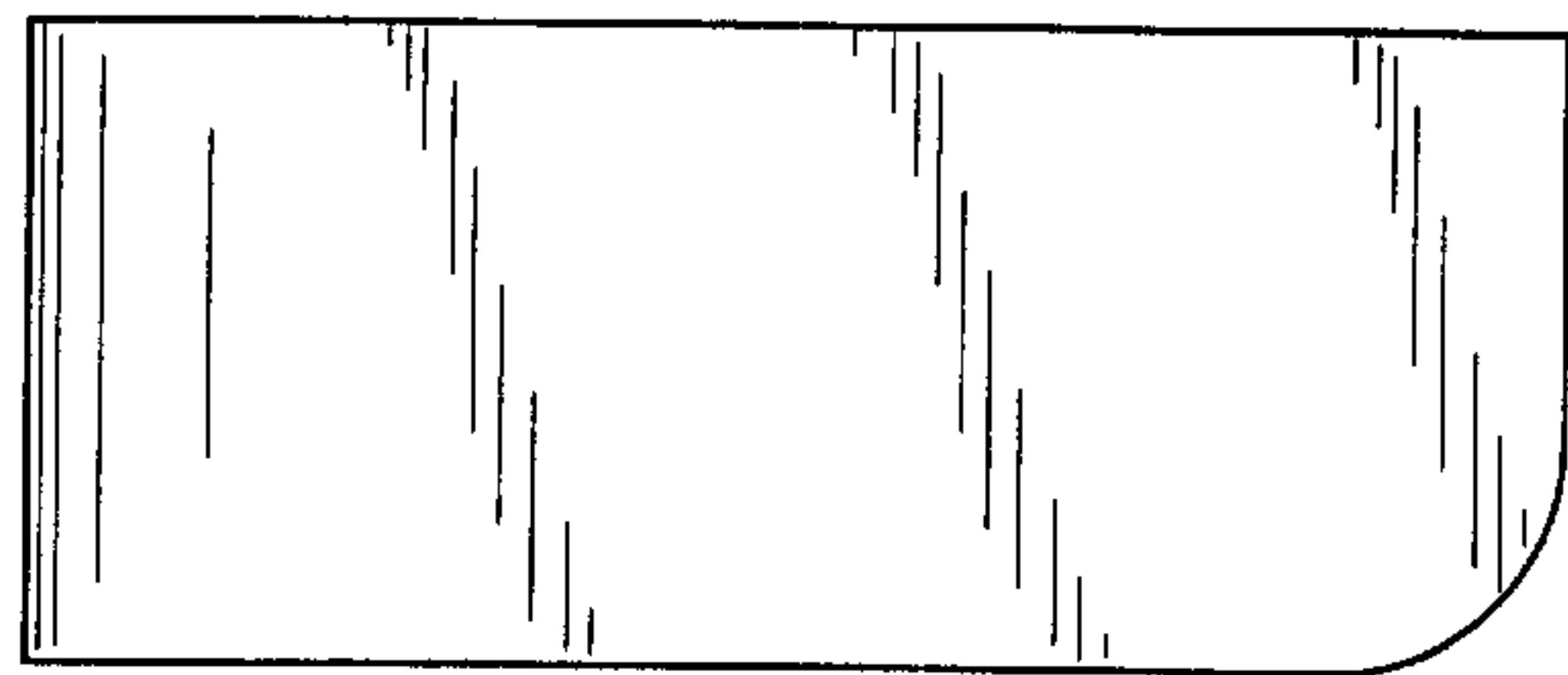


Fig. 4

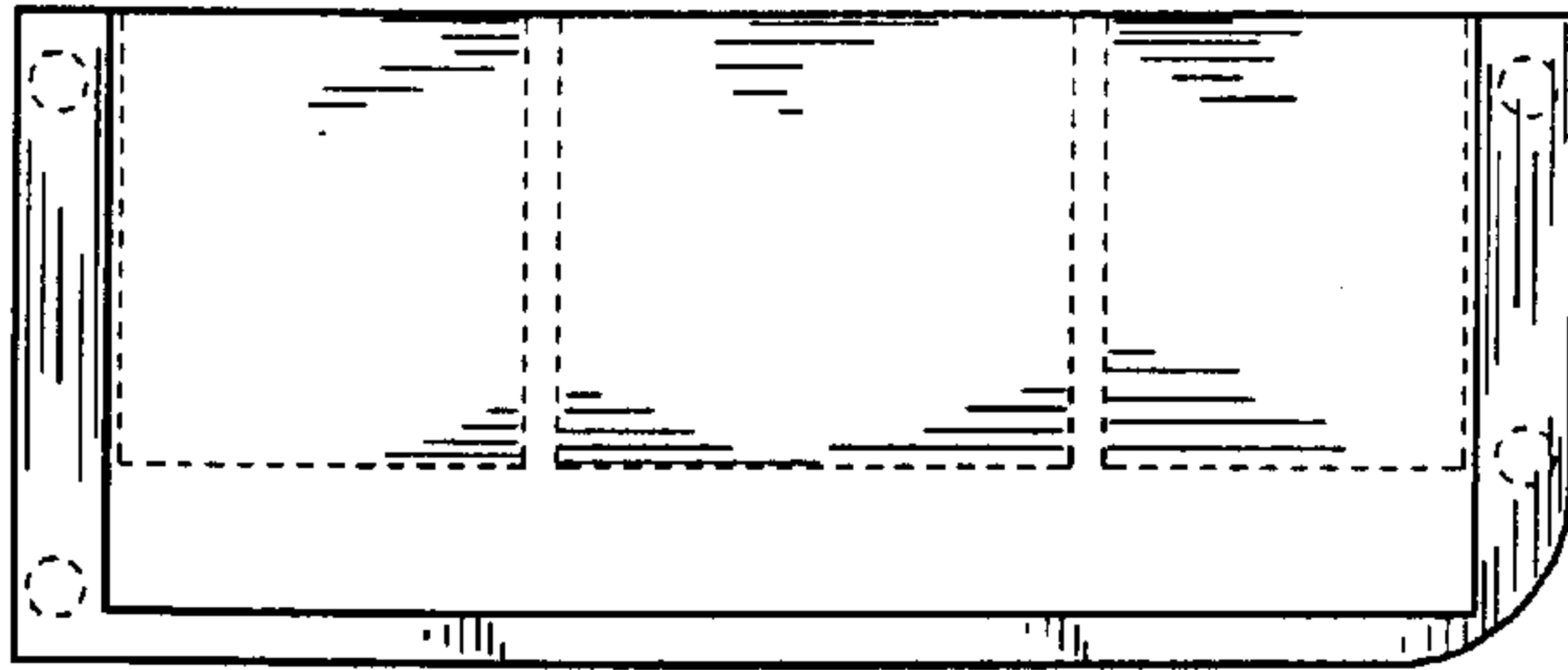


Fig. 5

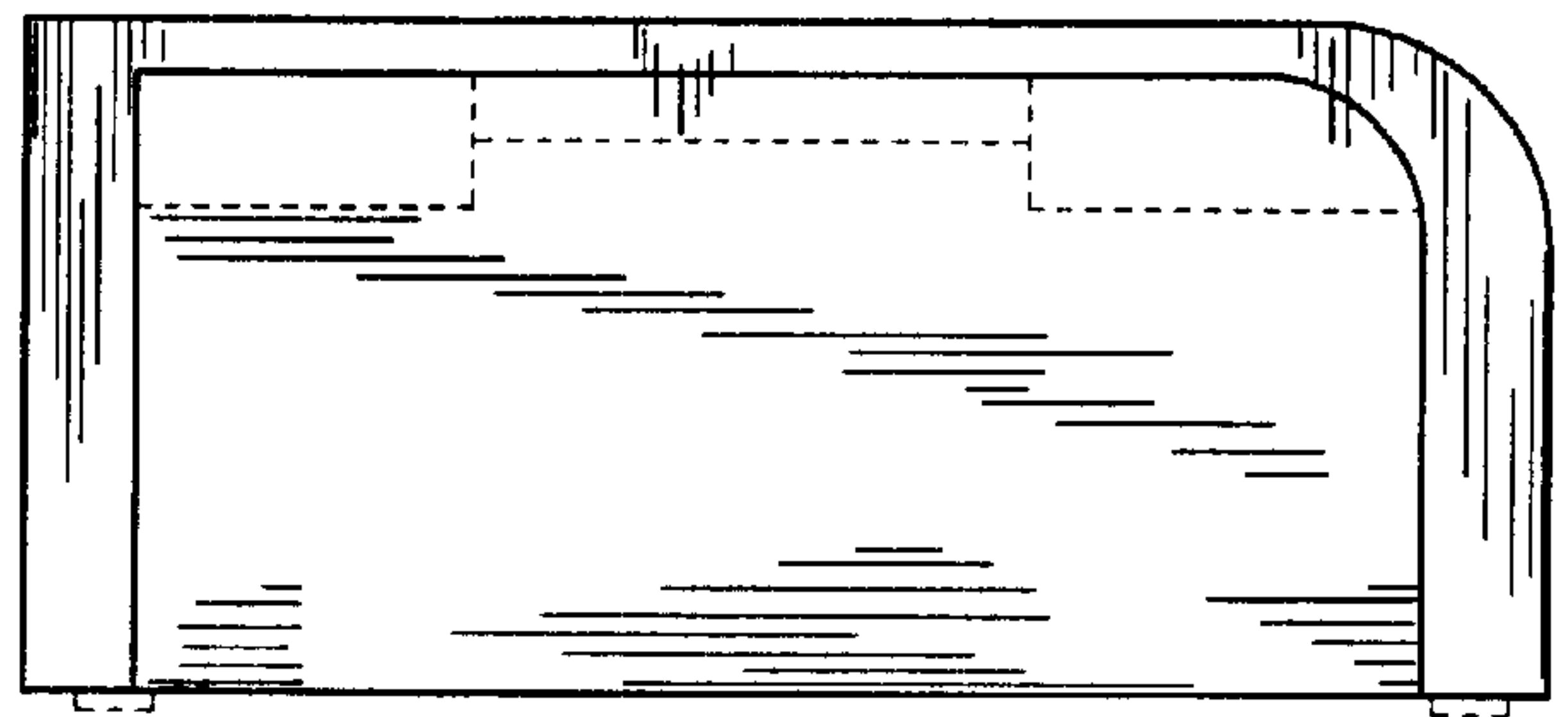


Fig. 6

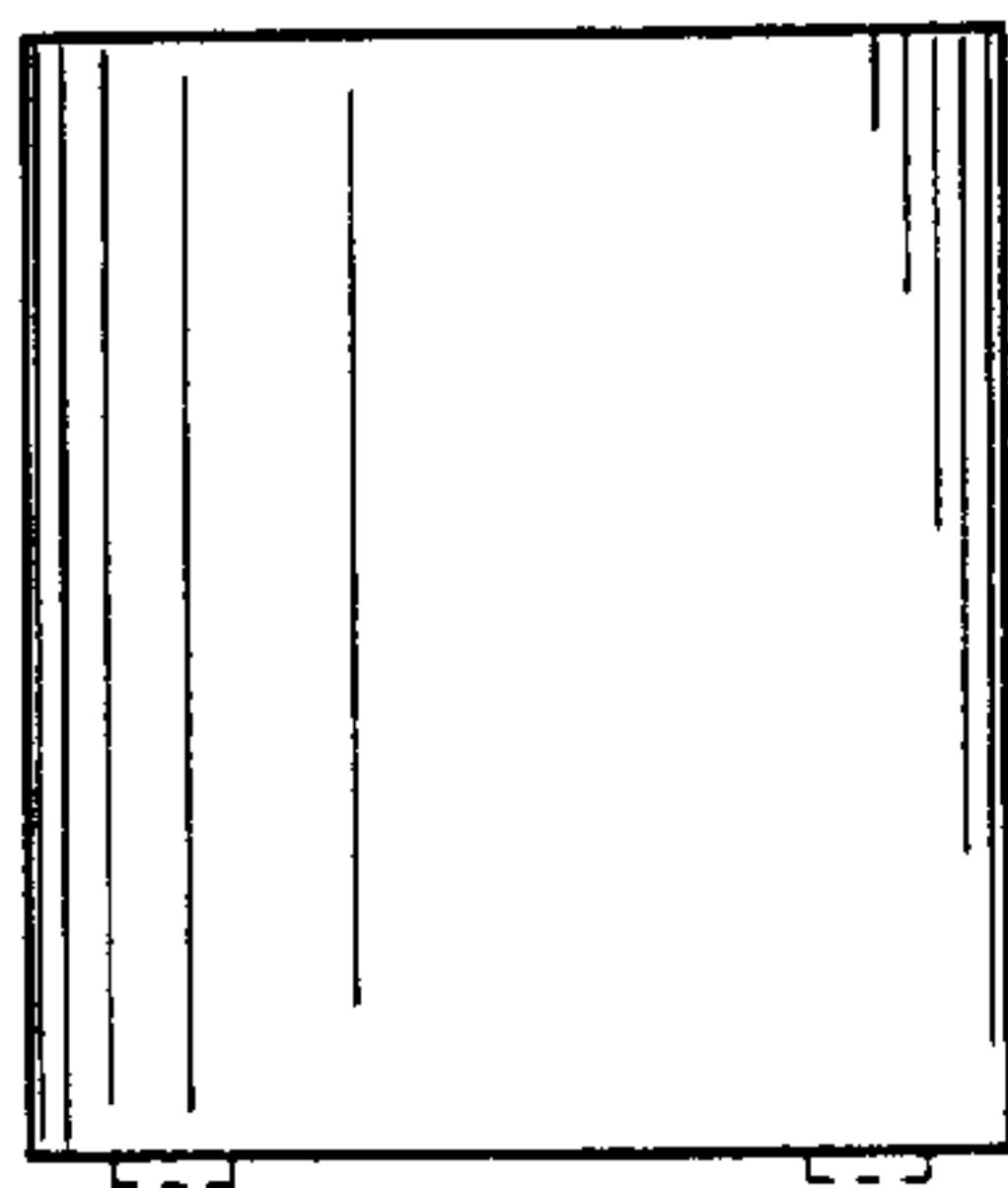


Fig. 7