



US00D470330S

(12) **United States Design Patent**
Vaaler

(10) **Patent No.:** **US D470,330 S**

(45) **Date of Patent:** **** Feb. 18, 2003**

(54) **BED**

D459,105 S * 6/2002 Stanton D6/393
D460,288 S * 7/2002 Vaaler D6/393

(75) **Inventor:** **Lawrence I. Vaaler**, Lenoir, NC (US)

* cited by examiner

(73) **Assignee:** **Bernhardt, L.L.C.**, Lenoir, NC (US)

Primary Examiner—Janice E. Seeger

(**) **Term:** **14 Years**

(74) *Attorney, Agent, or Firm*—MacCord Mason PLLC

(21) **Appl. No.:** **29/159,141**

(57) **CLAIM**

(22) **Filed:** **Apr. 16, 2002**

The ornamental design for a bed, as shown and described.

(51) **LOC (7) Cl.** **06-01**

DESCRIPTION

(52) **U.S. Cl.** **D6/393**

FIG. 1 is a left front perspective view of a bed showing my new design;

(58) **Field of Search** D6/382, 388, 389,
D6/392–395, 505–508; 5/53.1, 279.1, 280,
281, 310, 907

FIG. 2 is an end view from the footboard;

FIG. 3 is a view from inside the headboard;

FIG. 4 is a front view of the footboard; and,

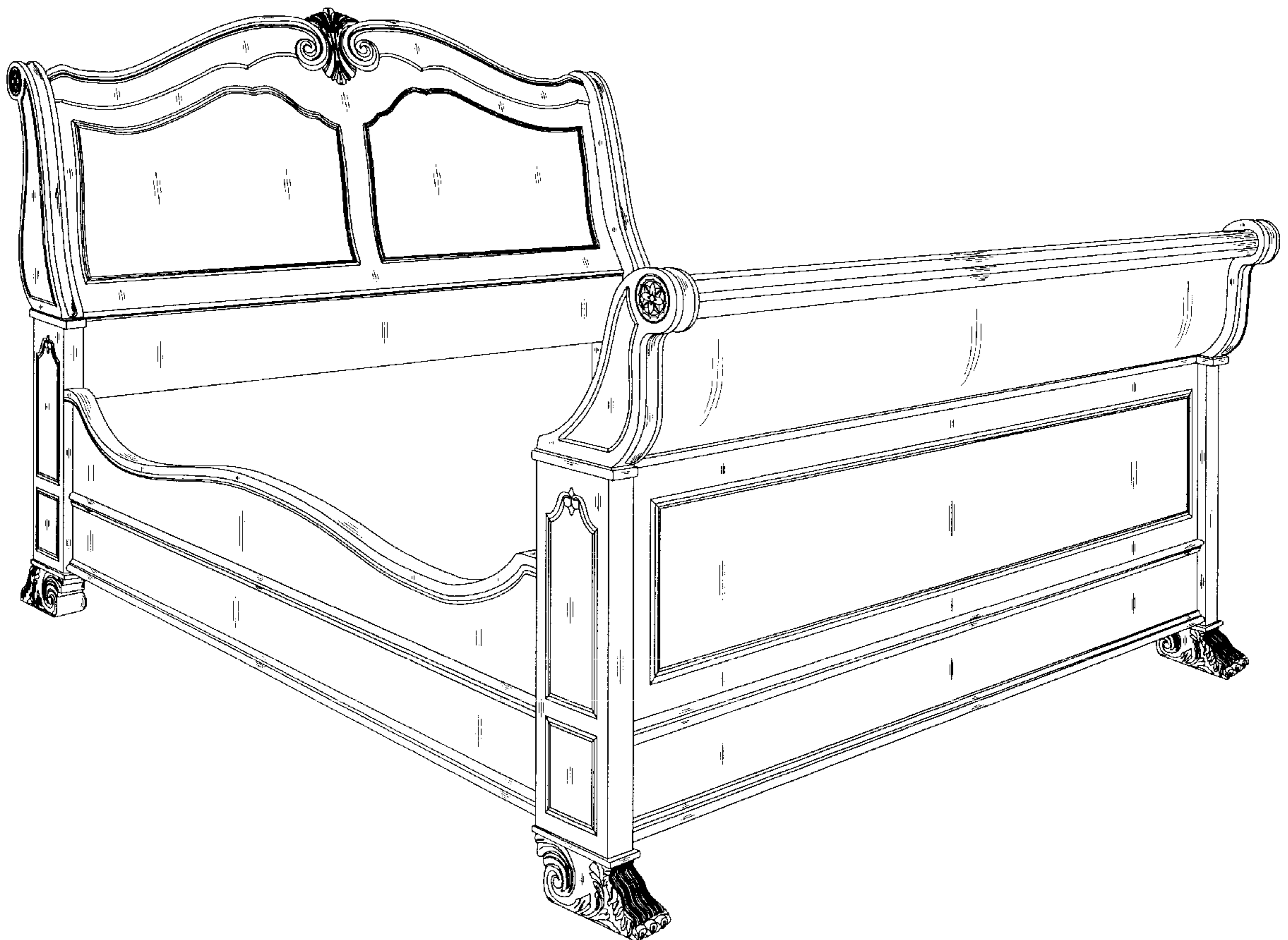
FIG. 5 is a side view, the opposite side being a mirror image thereof.

(56) **References Cited**

U.S. PATENT DOCUMENTS

D443,445 S * 6/2001 OHare et al. D6/505
D450,946 S * 11/2001 Vaaler D6/393

1 Claim, 5 Drawing Sheets



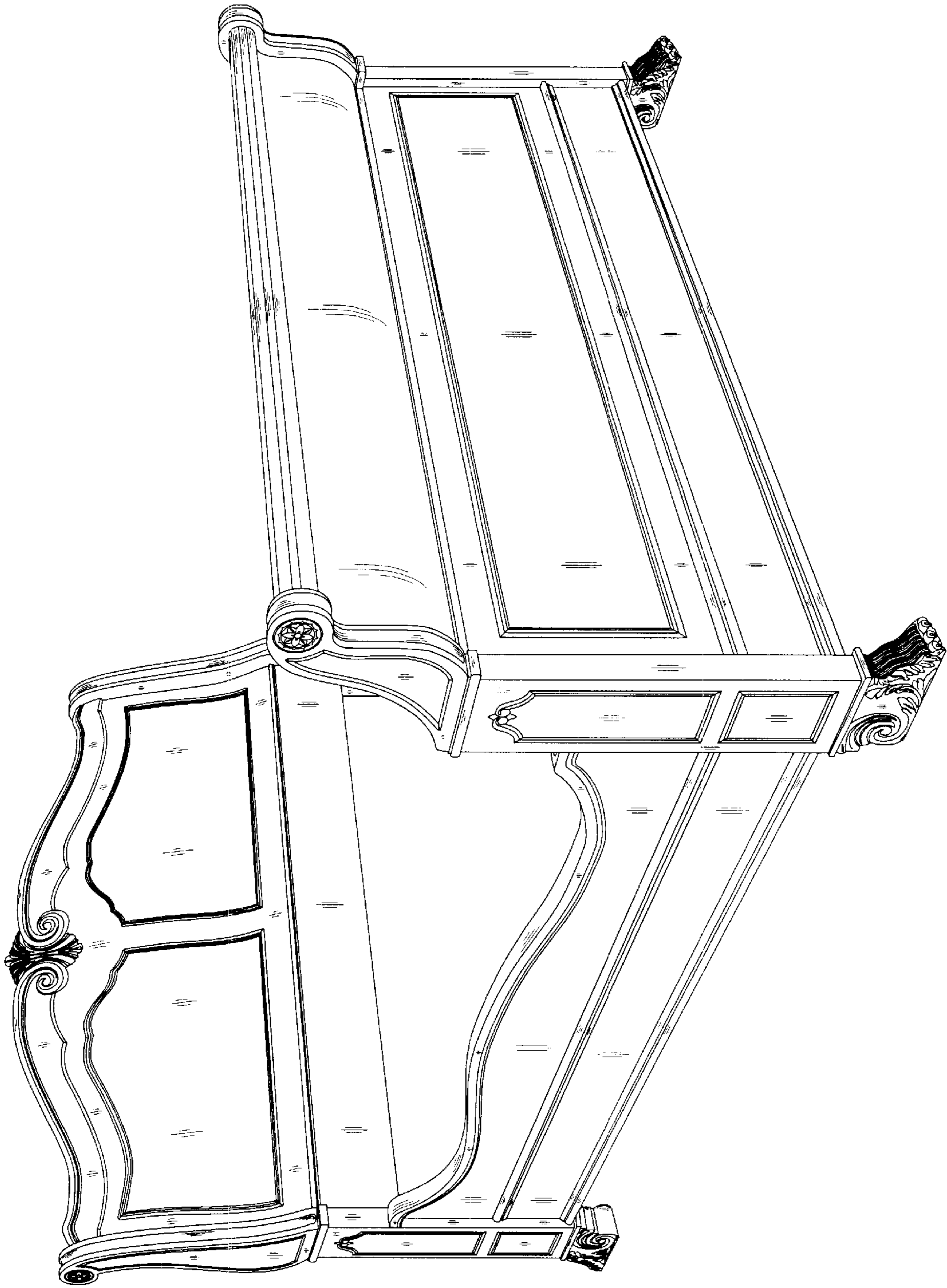


FIG. 1

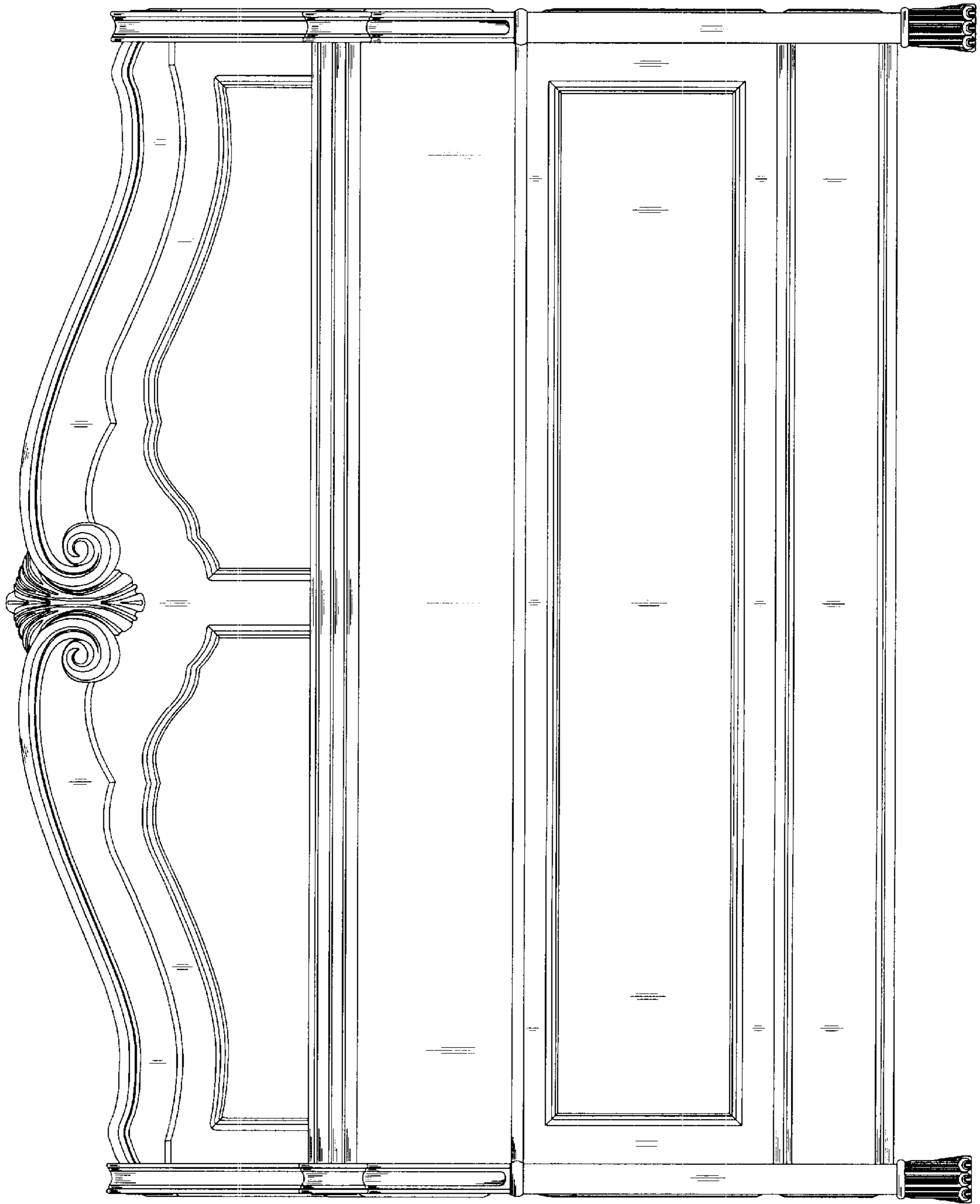


FIG. 2

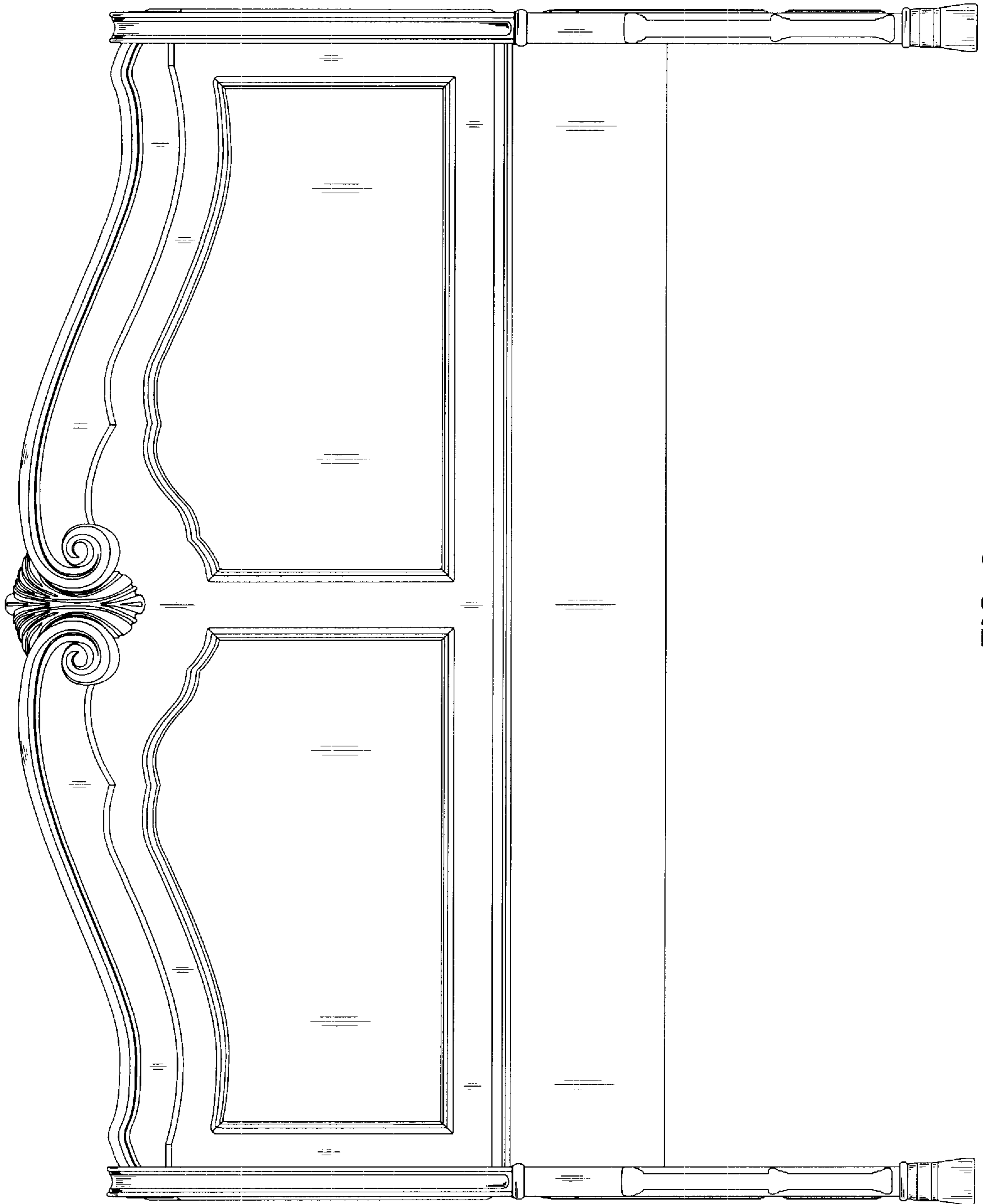


FIG. 3

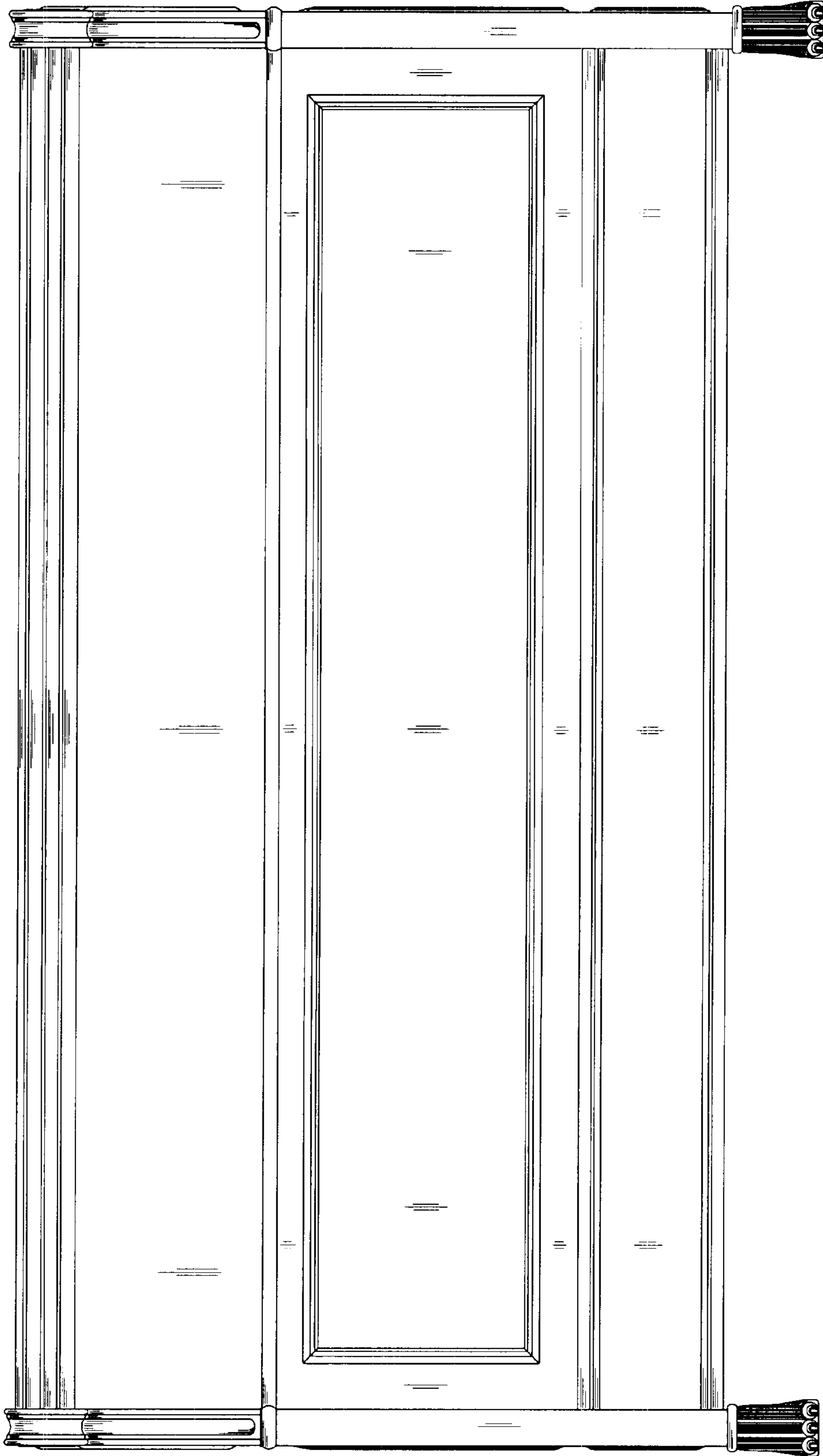


FIG. 4

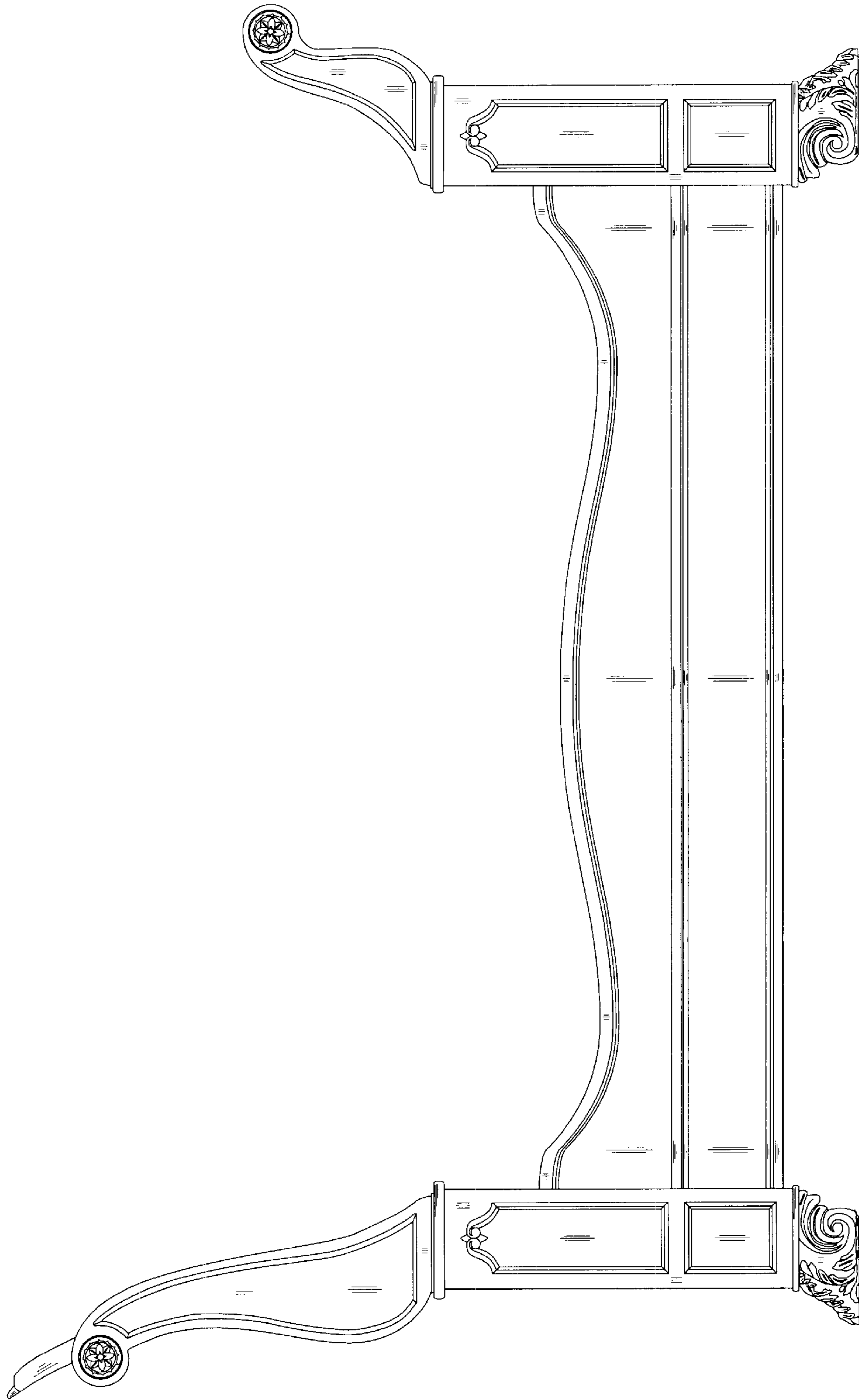


FIG. 5