



US00D470327S

(12) **United States Design Patent** (10) **Patent No.:** **US D470,327 S**
Ricci (45) **Date of Patent:** **** Feb. 18, 2003**

(54) **SOFA**
(75) Inventor: **Luca Ricci**, Forli (IT)
(73) Assignee: **De Coro Ltd.**, Fanling (HK)
(**) Term: **14 Years**
(21) Appl. No.: **29/162,217**
(22) Filed: **Jun. 11, 2002**
(51) **LOC (7) Cl.** **06-01**
(52) **U.S. Cl.** **D6/381**
(58) **Field of Search** D6/334, 335, 336,
D6/364, 371, 381, 500, 501, 502; 5/12.1;
297/232

(56) **References Cited**
U.S. PATENT DOCUMENTS

D380,912 S	*	7/1997	Gera	D6/381
D388,260 S	*	12/1997	Natuzzi et al.	D6/381
D403,173 S	*	12/1998	Ferguson et al.	D6/381
D404,212 S	*	1/1999	Hutton	D6/381
D419,794 S	*	2/2000	Natuzzi et al.	D6/381
D438,722 S	*	3/2001	Natuzzi et al.	D6/381
D448,198 S	*	9/2001	Natuzzi et al.	D6/381
D451,695 S	*	12/2001	Vanderbloemen	D6/381

OTHER PUBLICATIONS

De Coro Ltd. Sofa Model No. 128, Apr., 1998 at the International Home Furnishings Market in High Point, N.C.
De Coro Ltd. Sofa Model No. 166, Apr., 1998 at the International Home Furnishings Market in High Point, N.C.
De Coro Ltd. Sofa Model No. 2040, Apr., 2000 at the International Home Furnishings Market in High Point, N.C.
De Coro Ltd. Sofa Model No. 2052, Apr., 2000 at the International Home Furnishings Market in High Point, N.C.
De Coro Ltd. Sofa Model No. 2069, Apr., 2000 at the International Home Furnishings Market in High Point, N.C.
De Coro Ltd. Sofa Model No. 2083, Apr., 2000 at the International Home Furnishings Market in High Point, N.C.
De Coro Ltd. Sofa Model No. 2122, Oct., 2001 at the International Home Furnishings Market in High Point, N.C.

De Coro Ltd. Sofa Model No. 2159, Oct., 2001 at the International Home Furnishings Market in High Point, N.C.
De Coro Ltd. Sofa Model No. 2162, Oct., 2001 at the International Home Furnishings Market in High Point, N.C.
De Coro Ltd. Sofa Model No. 2163, Oct., 2001 at the International Home Furnishings Market in High Point, N.C.
De Coro Ltd. Sofa Model No. 2167, Oct., 2001 at the International Home Furnishings Market in High Point, N.C.
De Coro Ltd. Sofa Model No. 2196, Oct., 2001 at the International Home Furnishings Market in High Point, N.C.

* cited by examiner

Primary Examiner—Gary D. Watson

(74) *Attorney, Agent, or Firm*—Luce, Forward, Hamilton & Scripps LLP

(57) **CLAIM**

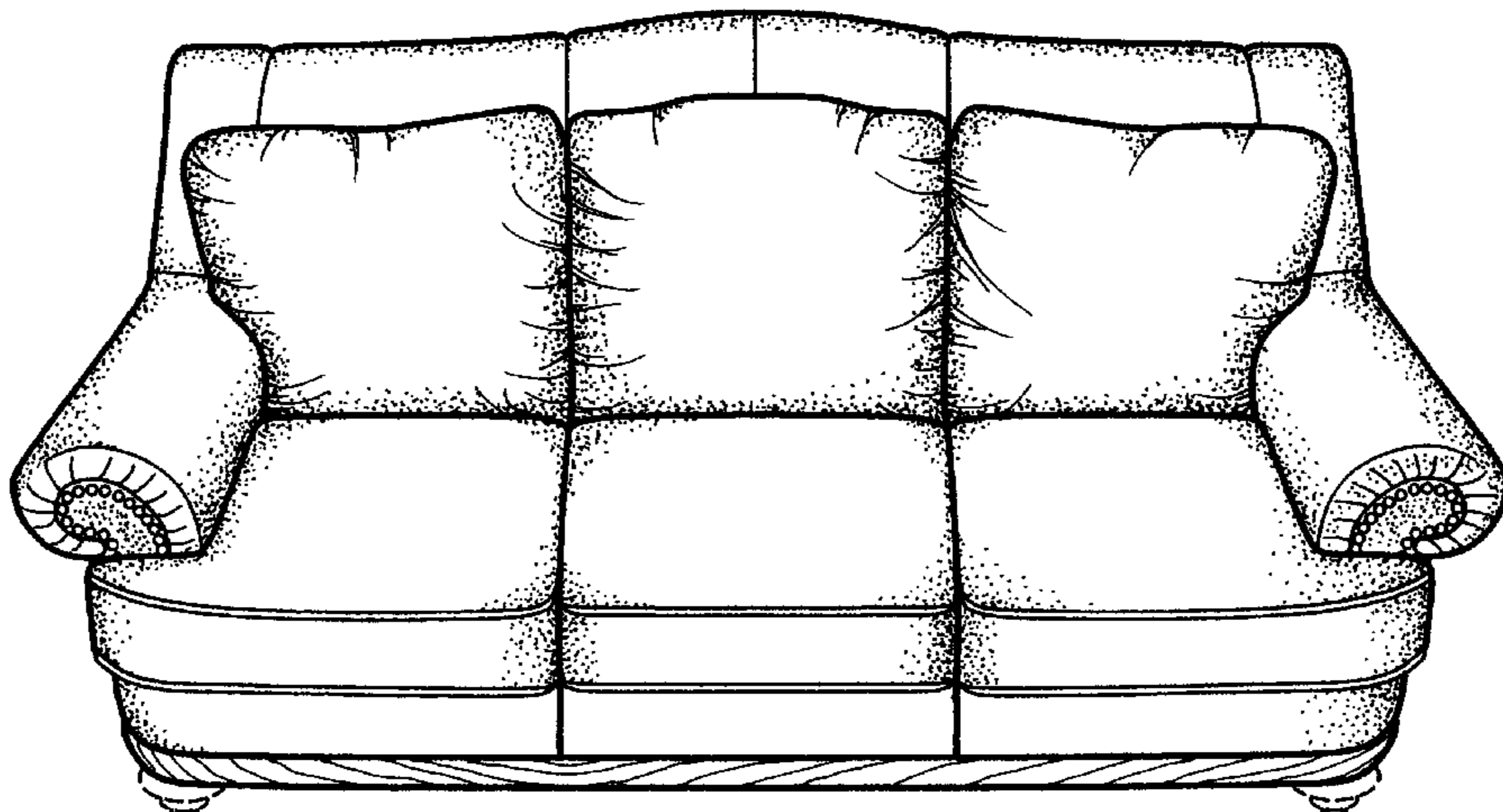
The ornamental design for a sofa, as shown and described.

DESCRIPTION

FIG. 1 is a front perspective view of a sofa showing my new design;
FIG. 2 is a left, front perspective view of the embodiment of FIG. 1;
FIG. 3 is a left, rear perspective view of the embodiment of FIG. 1;
FIG. 4 is a front elevation view of the embodiment of FIG. 1;
FIG. 5 is a left, side elevation view of the embodiment of FIG. 1, with the right side elevational view being a mirror image thereof;
FIG. 6 is a rear elevation view of the embodiment of FIG. 1;
FIG. 7 is a front elevation view of a second embodiment of the sofa depicted in FIG. 1;
FIG. 8 is a left, side elevation view of the embodiment of FIG. 7, with the right side elevational view being a mirror image thereof; and,
FIG. 9 is a rear elevation view of the embodiment of FIG. 7.

The broken line disclosure is for illustrative purposes only and forms no part of the claimed design.

1 Claim, 4 Drawing Sheets



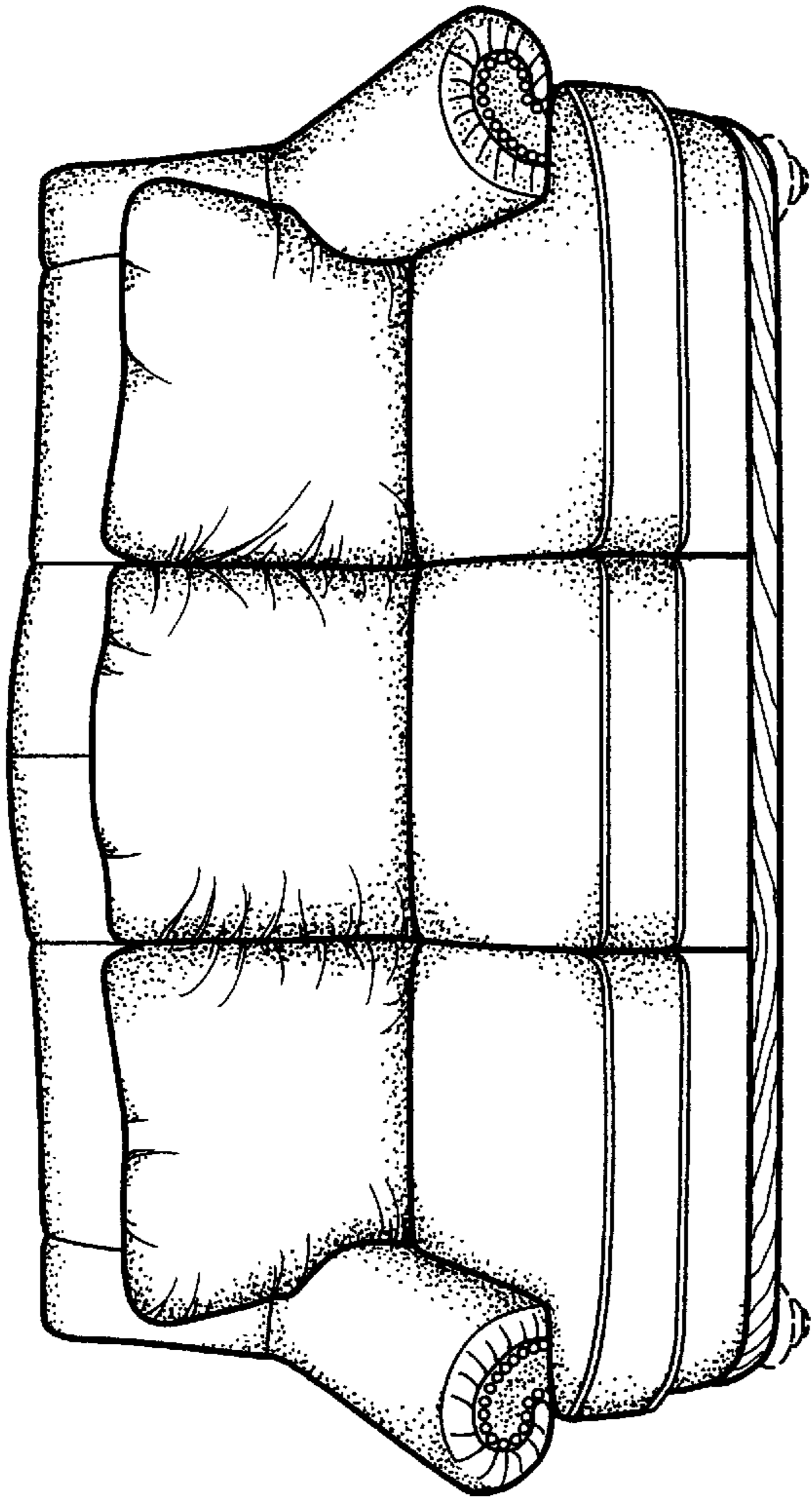


Fig. 1

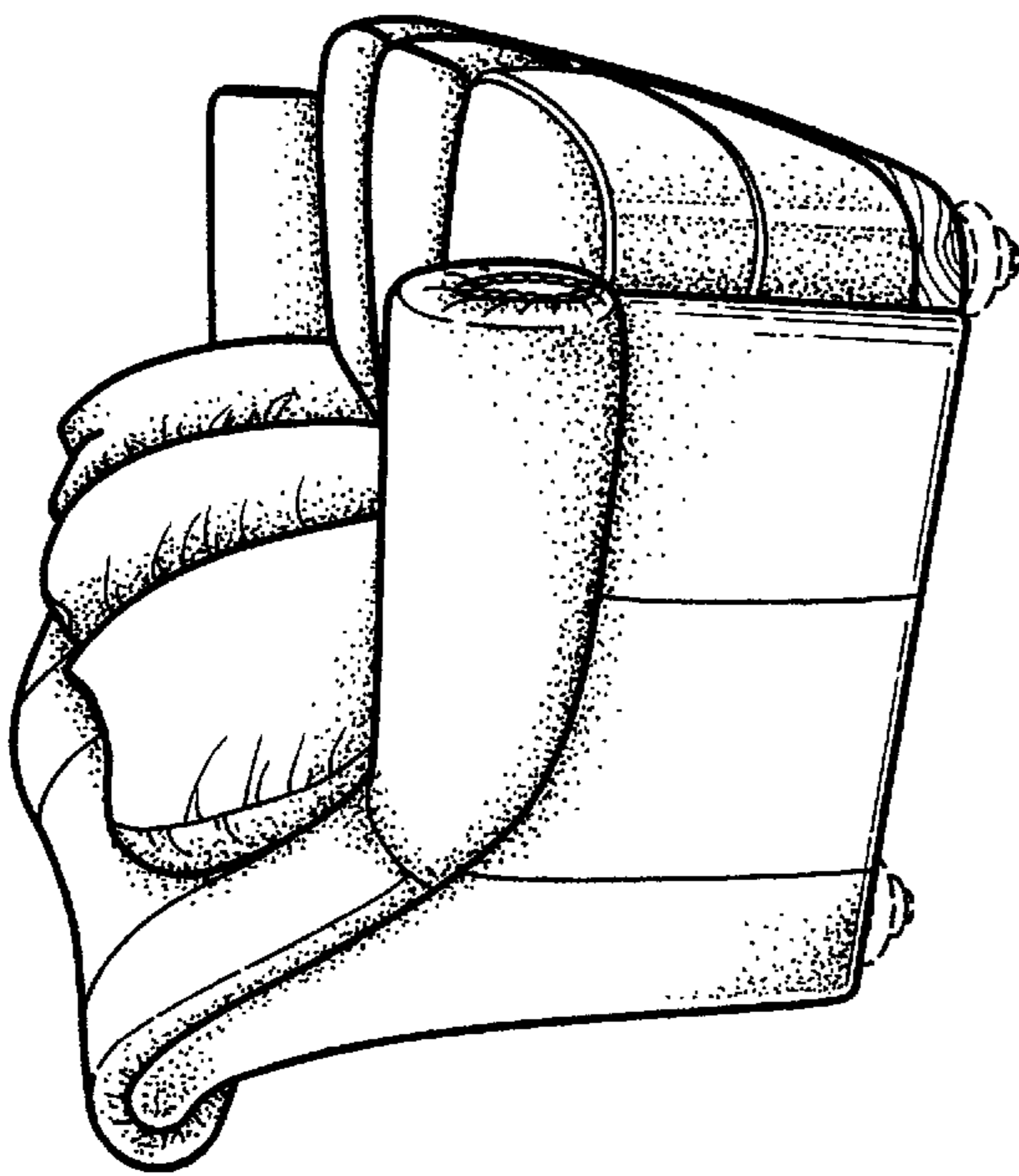


Fig. 2

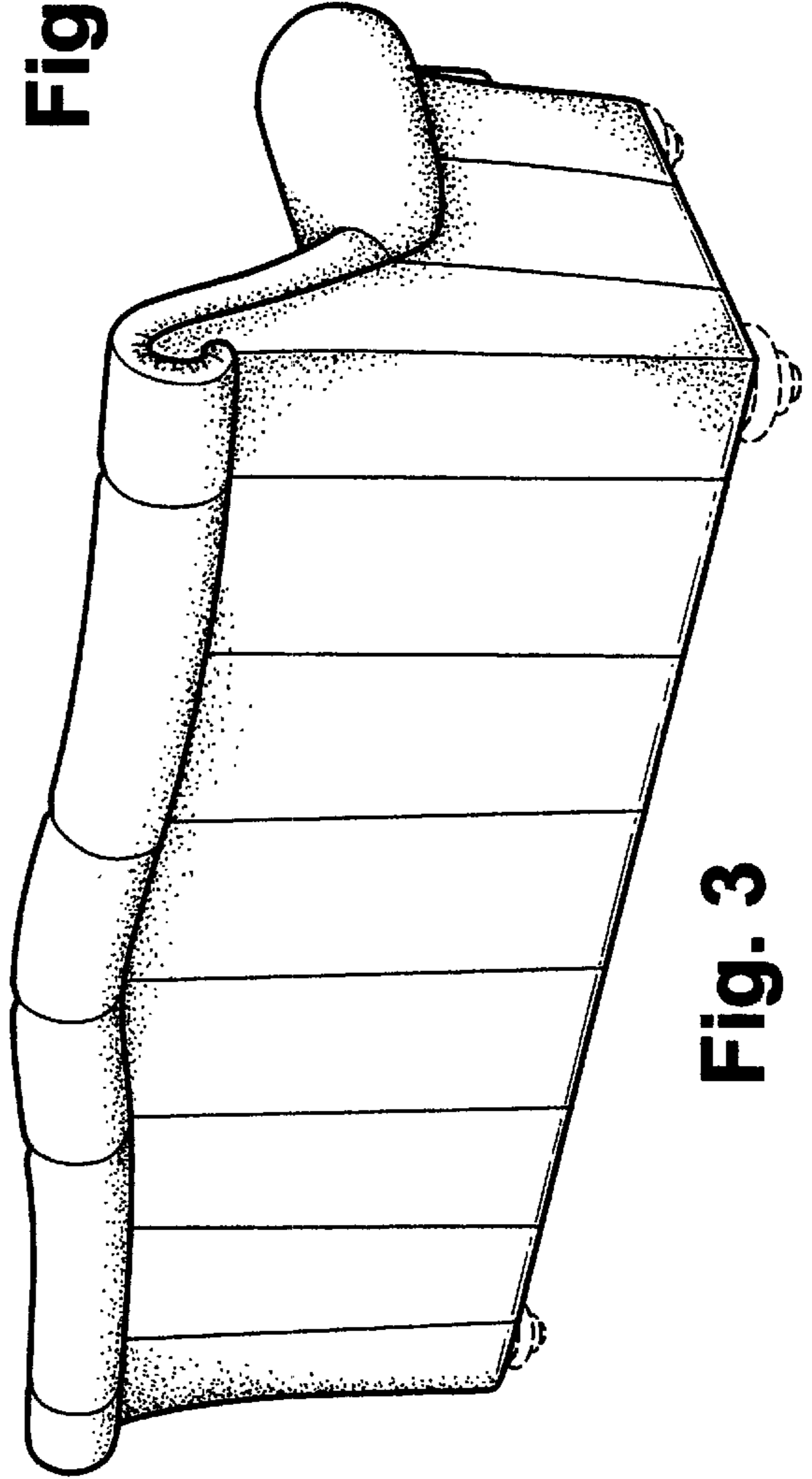


Fig. 3

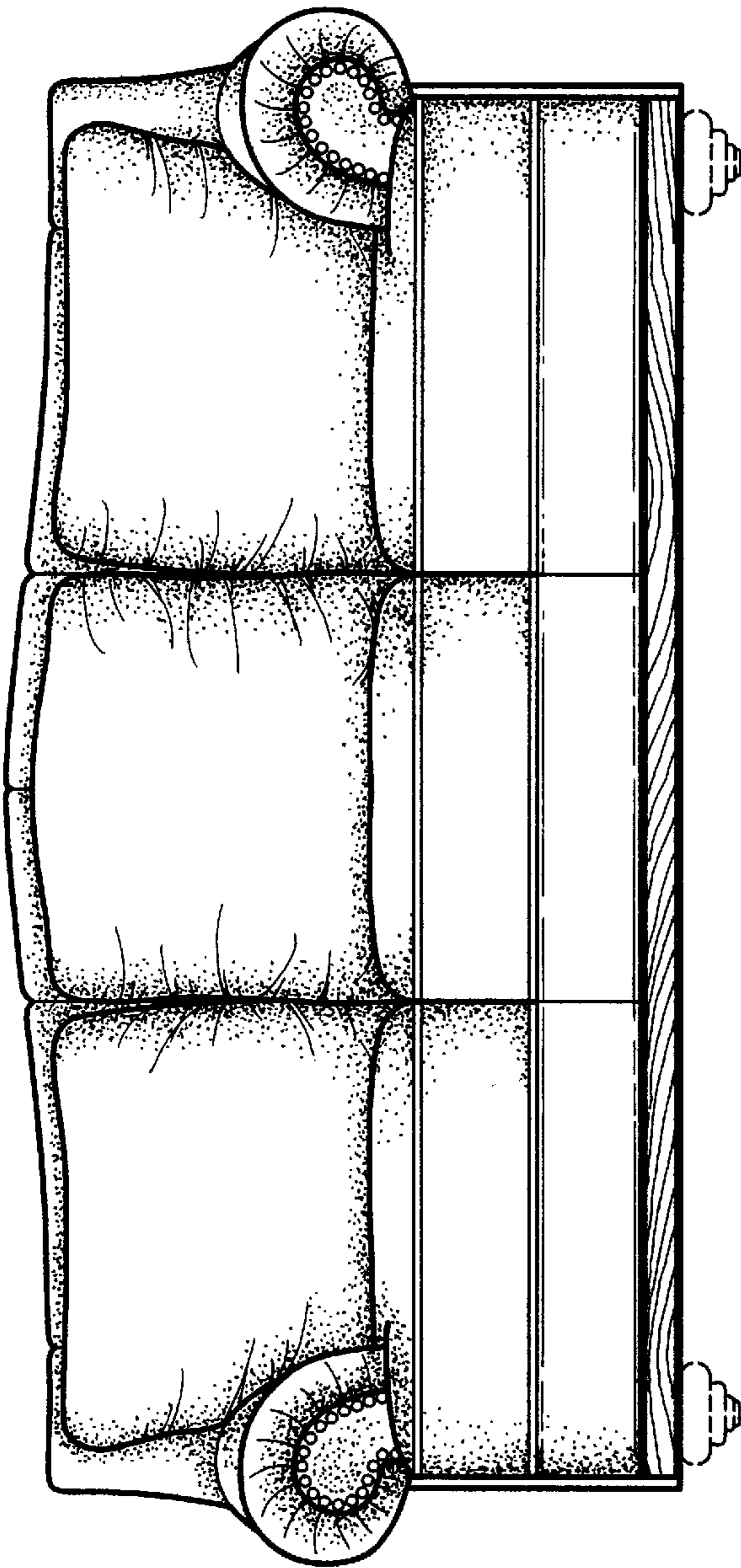


Fig. 4

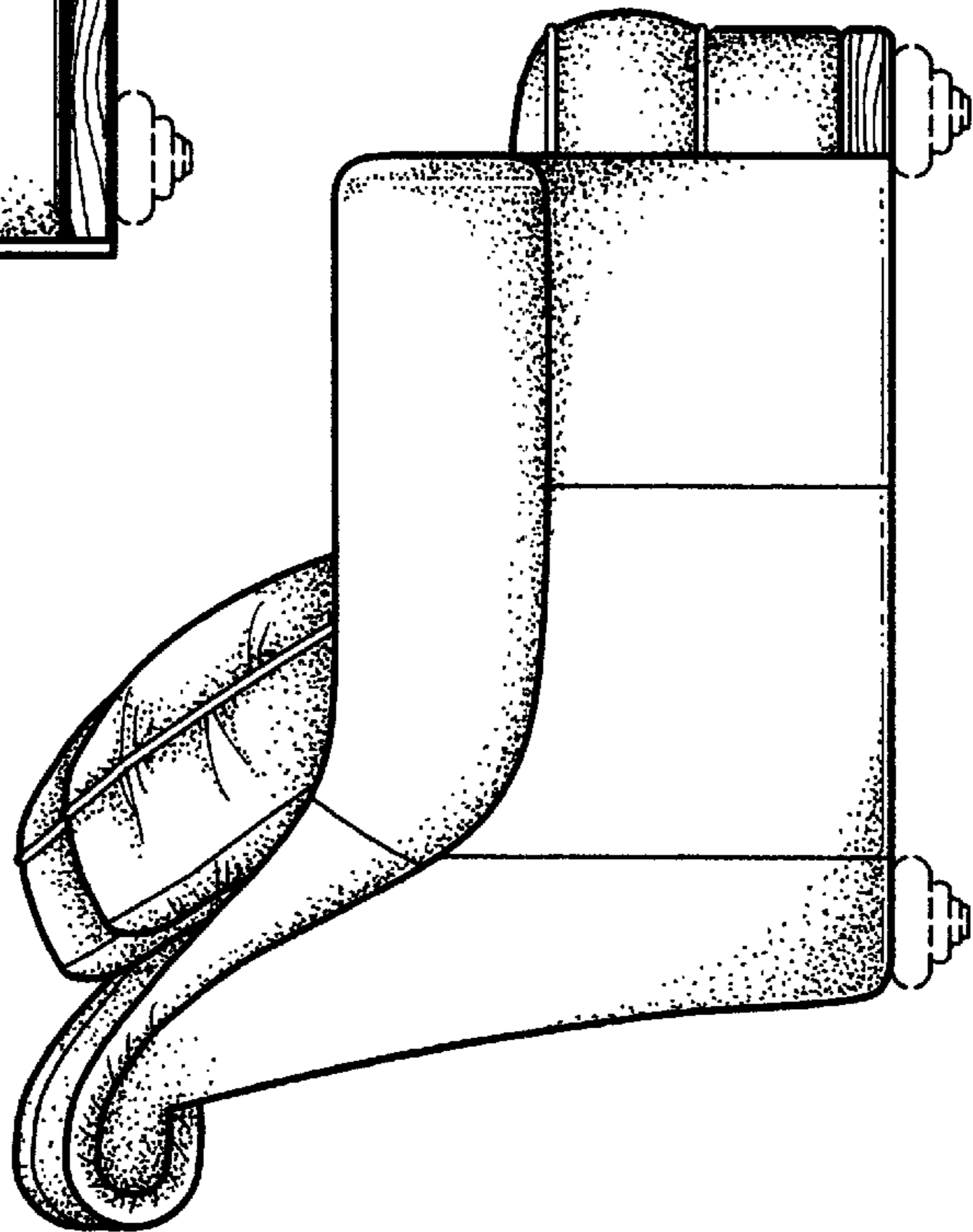


Fig. 5

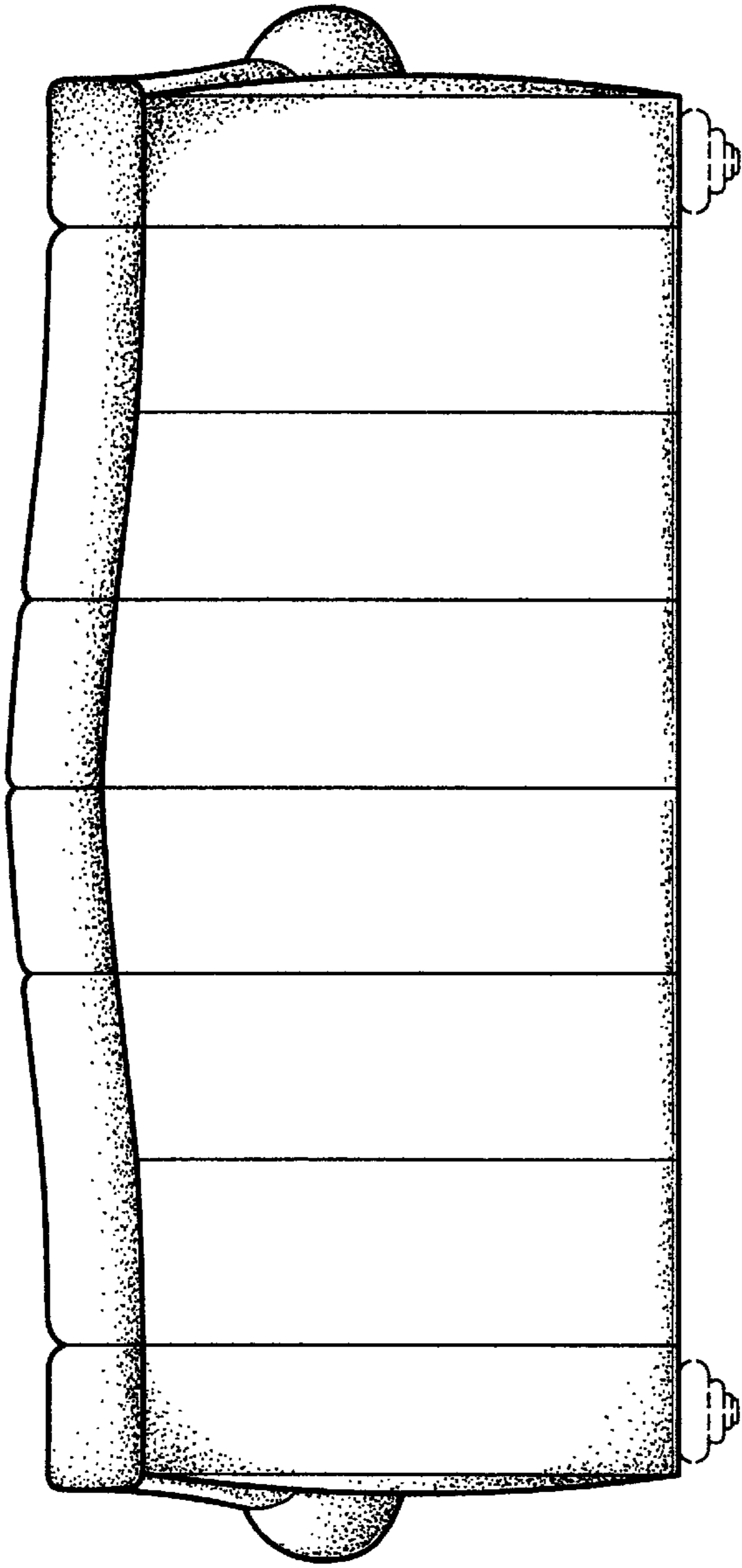


Fig. 6

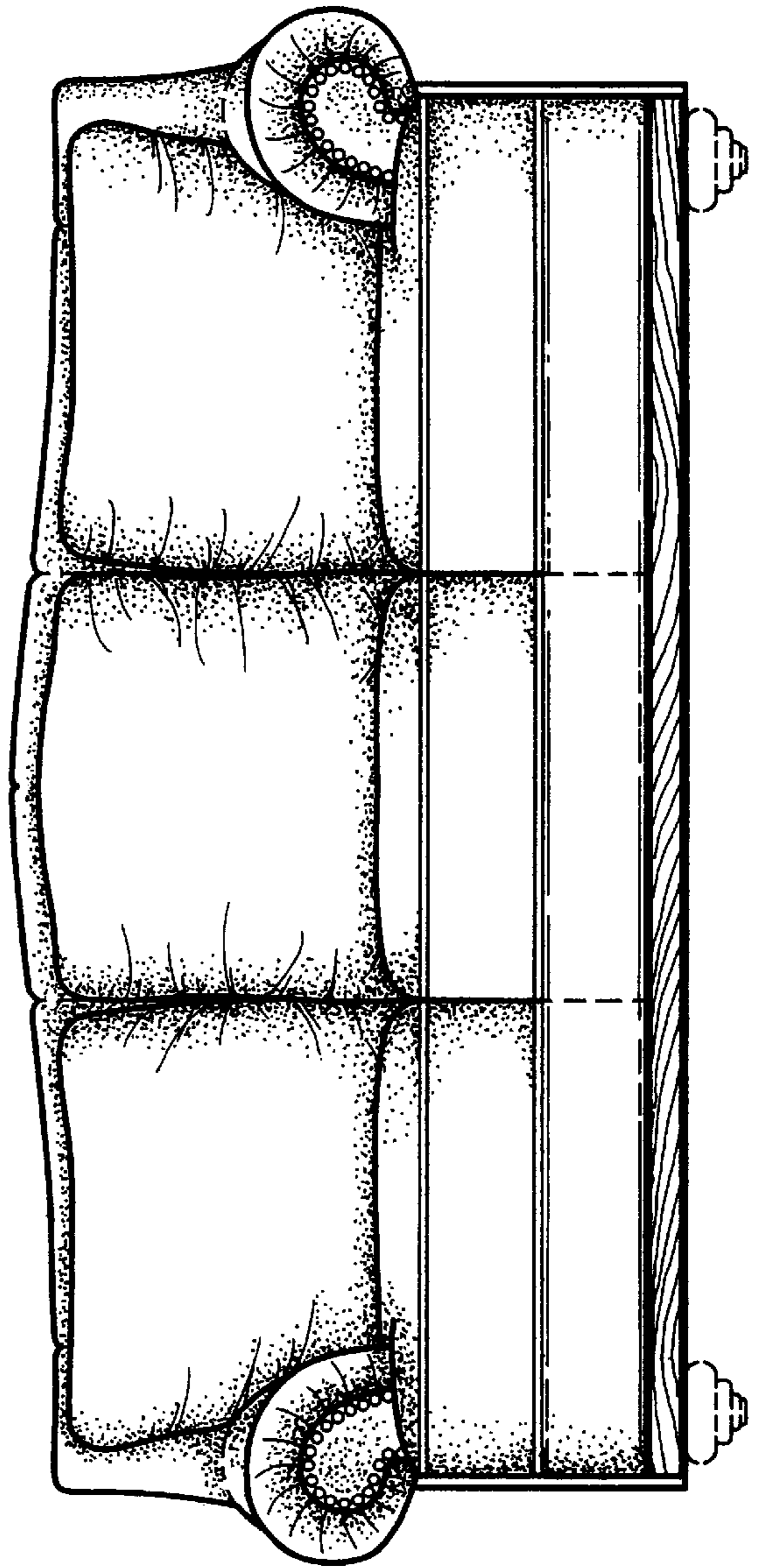


Fig. 7

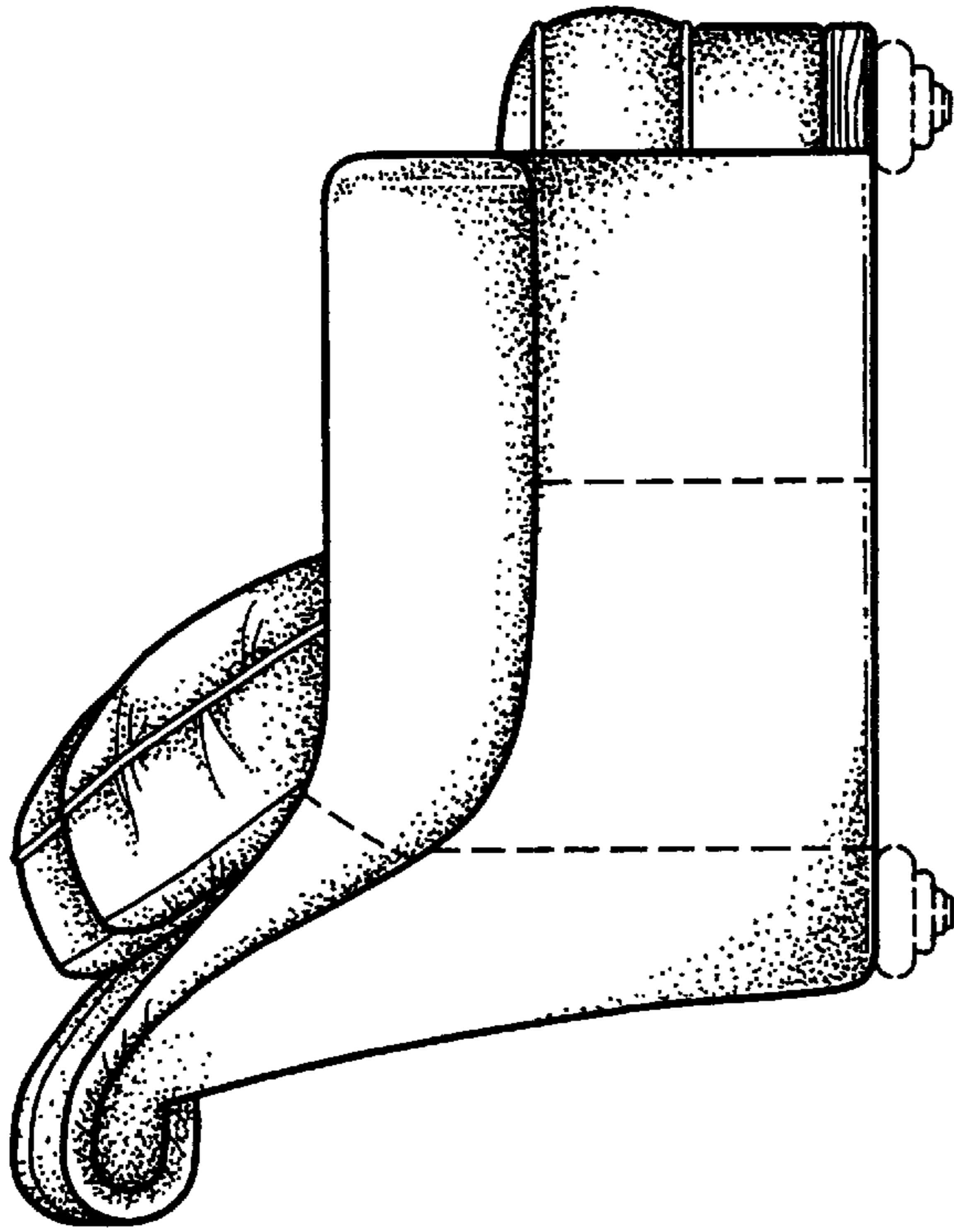


Fig. 8

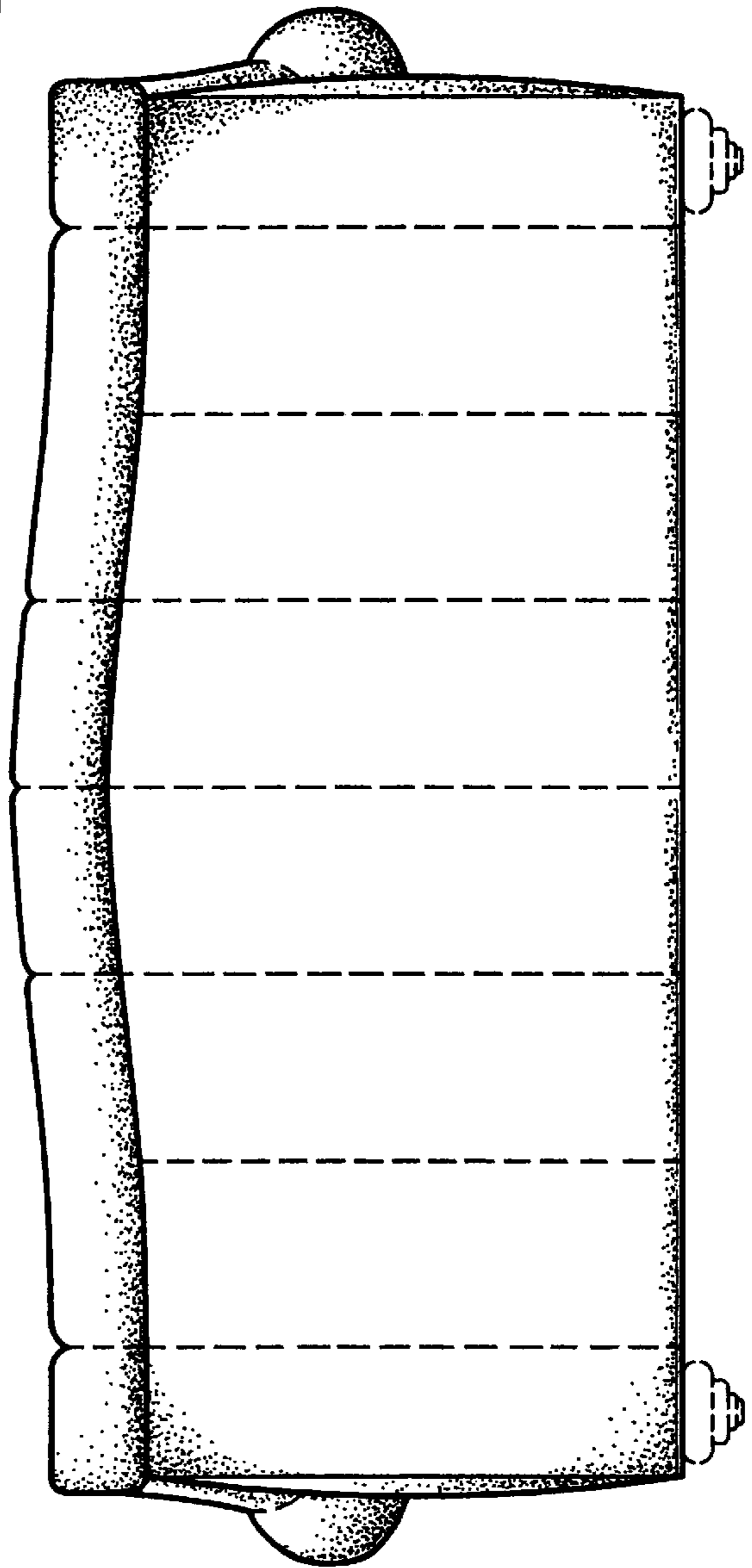


Fig. 9