



US00D470326S

(12) **United States Design Patent** (10) **Patent No.:** **US D470,326 S**
Ricci (45) **Date of Patent:** **** Feb. 18, 2003**

- (54) **SOFA**
- (75) Inventor: **Luca Ricci**, Forli (IT)
- (73) Assignee: **De Coro Ltd.**, Fanling (HK)
- (**) Term: **14 Years**
- (21) Appl. No.: **29/162,195**
- (22) Filed: **Jun. 11, 2002**
- (51) **LOC (7) Cl.** **06-01**
- (52) **U.S. Cl.** **D6/381**
- (58) **Field of Search** D6/334, 335, 336,
D6/364, 371, 381, 500, 501, 502; 5/12.1;
297/232

- (56) **References Cited**
- U.S. PATENT DOCUMENTS**
- D393,377 S 4/1998 Nicoletti
- D403,173 S * 12/1998 Ferguson et al. D6/381
- D428,725 S * 8/2000 Lee D6/381
- D444,310 S 7/2001 Lee
- D447,883 S * 9/2001 Meier et al. D6/381
- D451,695 S * 12/2001 Vanderbloemen D6/381

OTHER PUBLICATIONS

Furniture Today, pp 8–9, Broyhill sofa shown, Oct. 16, 2000.*

De Coro Ltd. Sofa Model No. 2041, Apr., 2000 at the International Home Furnishings Market in High Point, N.C.

De Coro Ltd. Sofa Model No. 2157, Oct., 2001 at the International Home Furnishings Market in High Point, N.C.

De Coro Ltd. Sofa Model No. 2162, Oct., 2001 at the International Home Furnishings Market in High Point, N.C.

De Coro Ltd. Sofa Model No. 2163, Oct., 2001 at the International Home Furnishings Market in High Point, N.C.

De Coro Ltd. Sofa Model No. 2167, Oct., 2001 at the International Home Furnishings Market in High Point, N.C.

De Coro Ltd. Sofa Model No. 2196, Oct., 2001 at the International Home Furnishings Market in High Point, N.C.

* cited by examiner

Primary Examiner—Gary D. Watson
 (74) *Attorney, Agent, or Firm*—Luce, Forward, Hamilton & Scripps LLP

(57) **CLAIM**

The ornamental design for a sofa, as shown and described.

DESCRIPTION

FIG. 1 is a front perspective view of a sofa showing my new design;

FIG. 2 is a right, rear perspective view of the embodiment of FIG. 1;

FIG. 3 is a front, partial perspective view of the embodiment of FIG. 1;

FIG. 4 is front elevation view of the embodiment of FIG. 1;

FIG. 5 is a left, side elevation view of the embodiment of FIG. 1, with the right side elevational view being a mirror image thereof;

FIG. 6 is a back elevation view of the embodiment of FIG. 1;

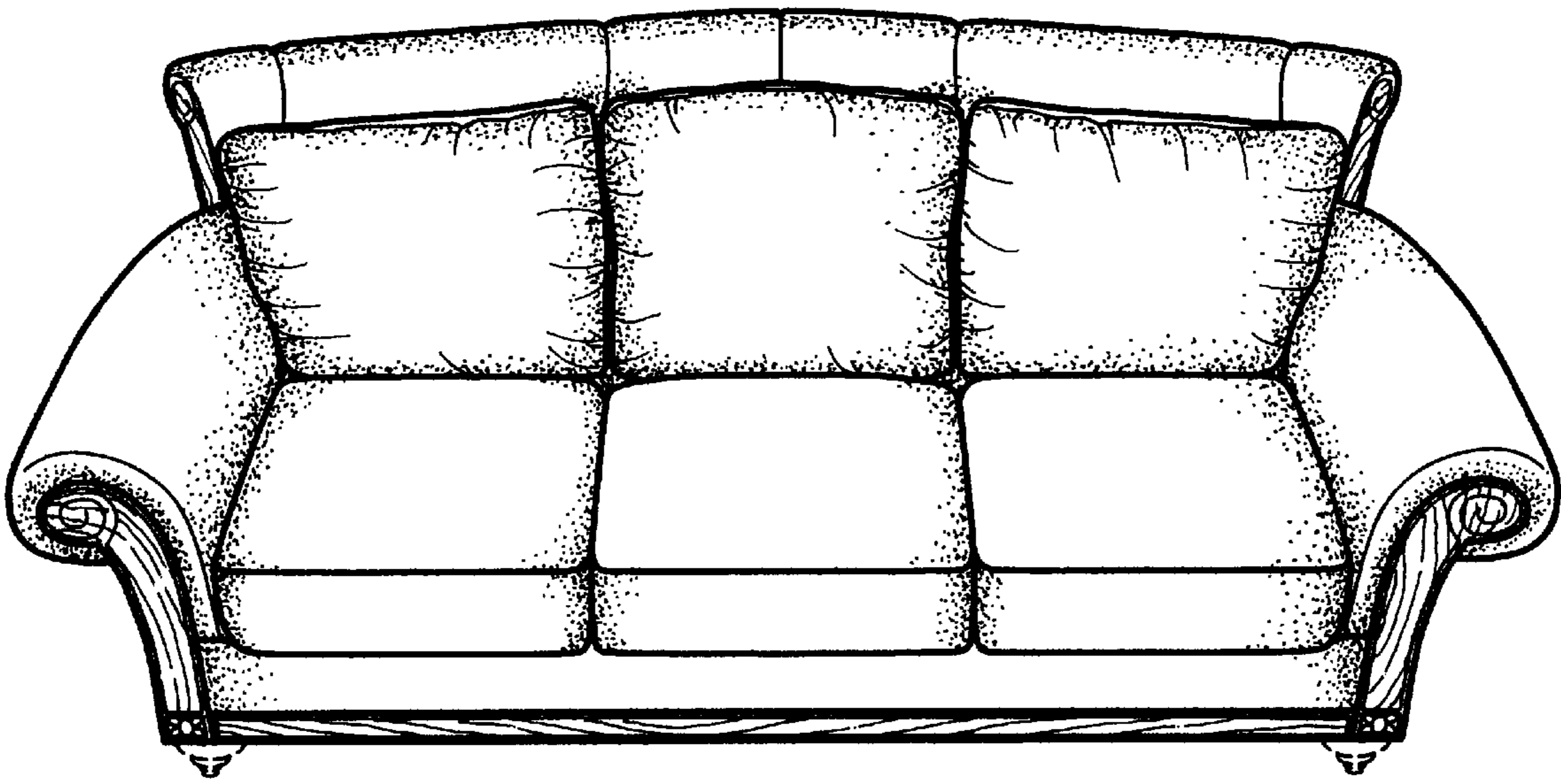
FIG. 7 is a front elevation view of a second embodiment of the sofa depicted in FIG. 1;

FIG. 8 is a left, side elevation view of the embodiment of FIG. 7, with the right side elevational view being a mirror image thereof; and,

FIG. 9 is a back elevation view of the embodiment of FIG. 7.

The broken line disclosure is for illustrative purposes only and forms no part of the claimed design.

1 Claim, 4 Drawing Sheets



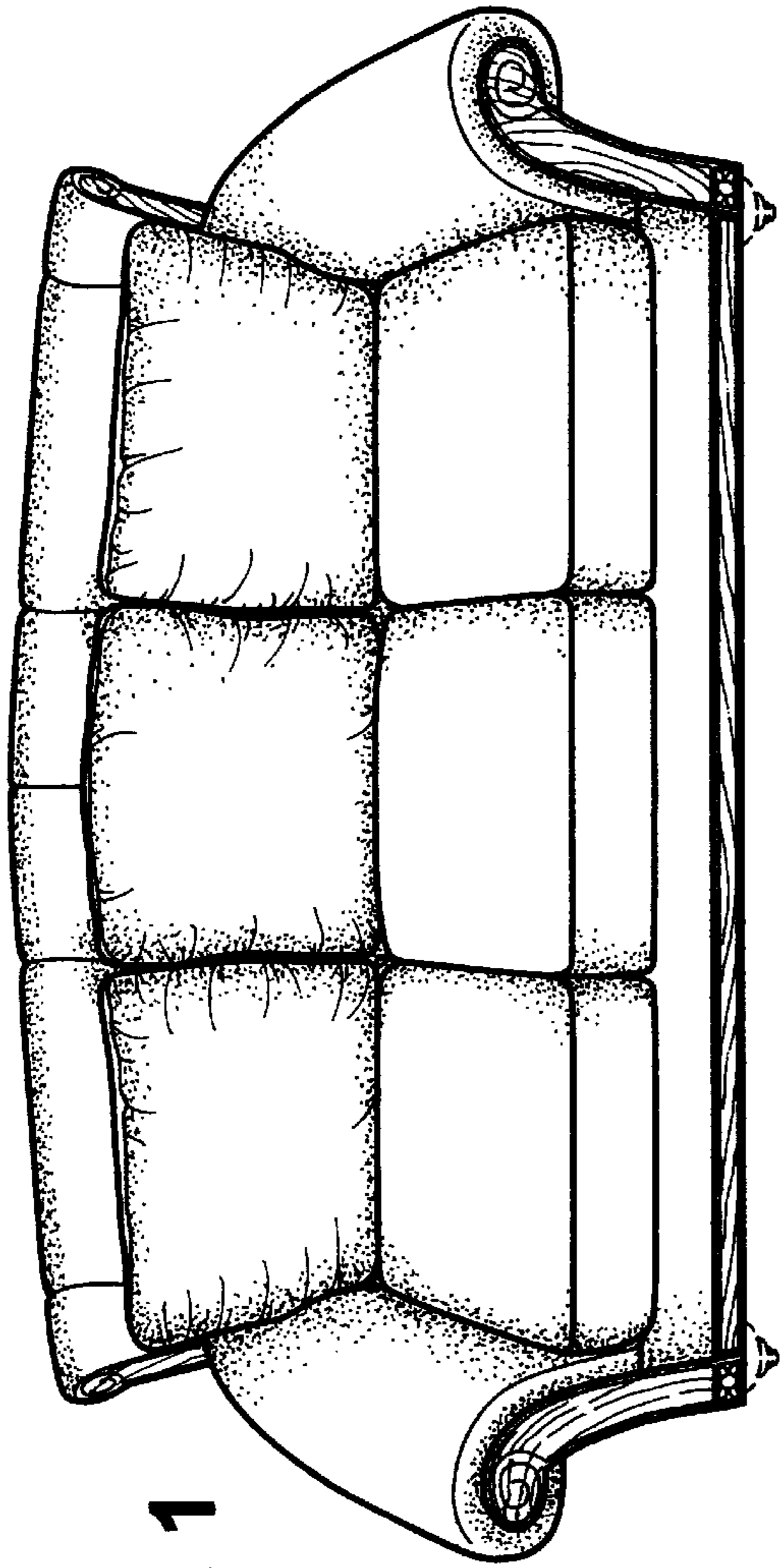


Fig. 1

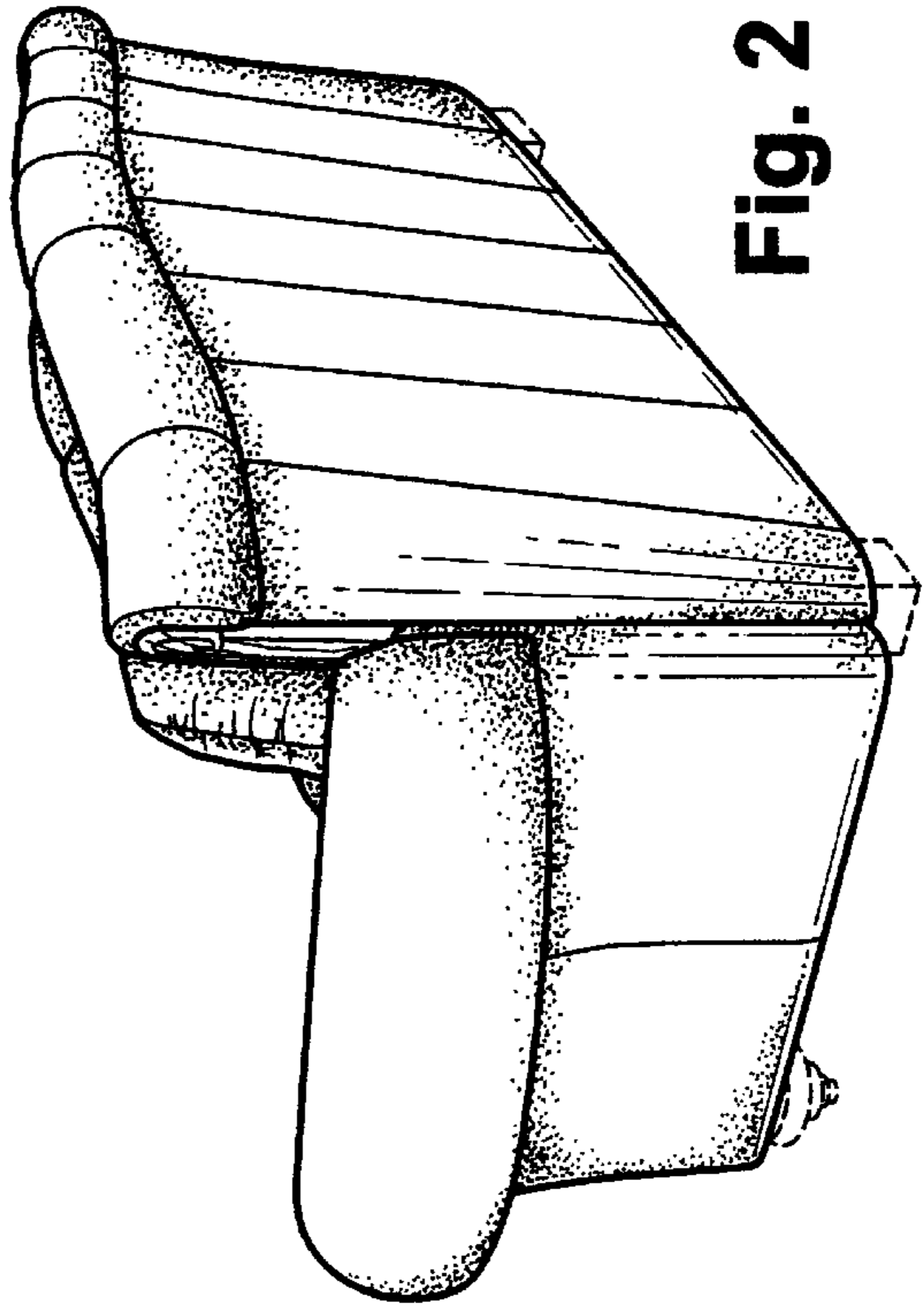


Fig. 2

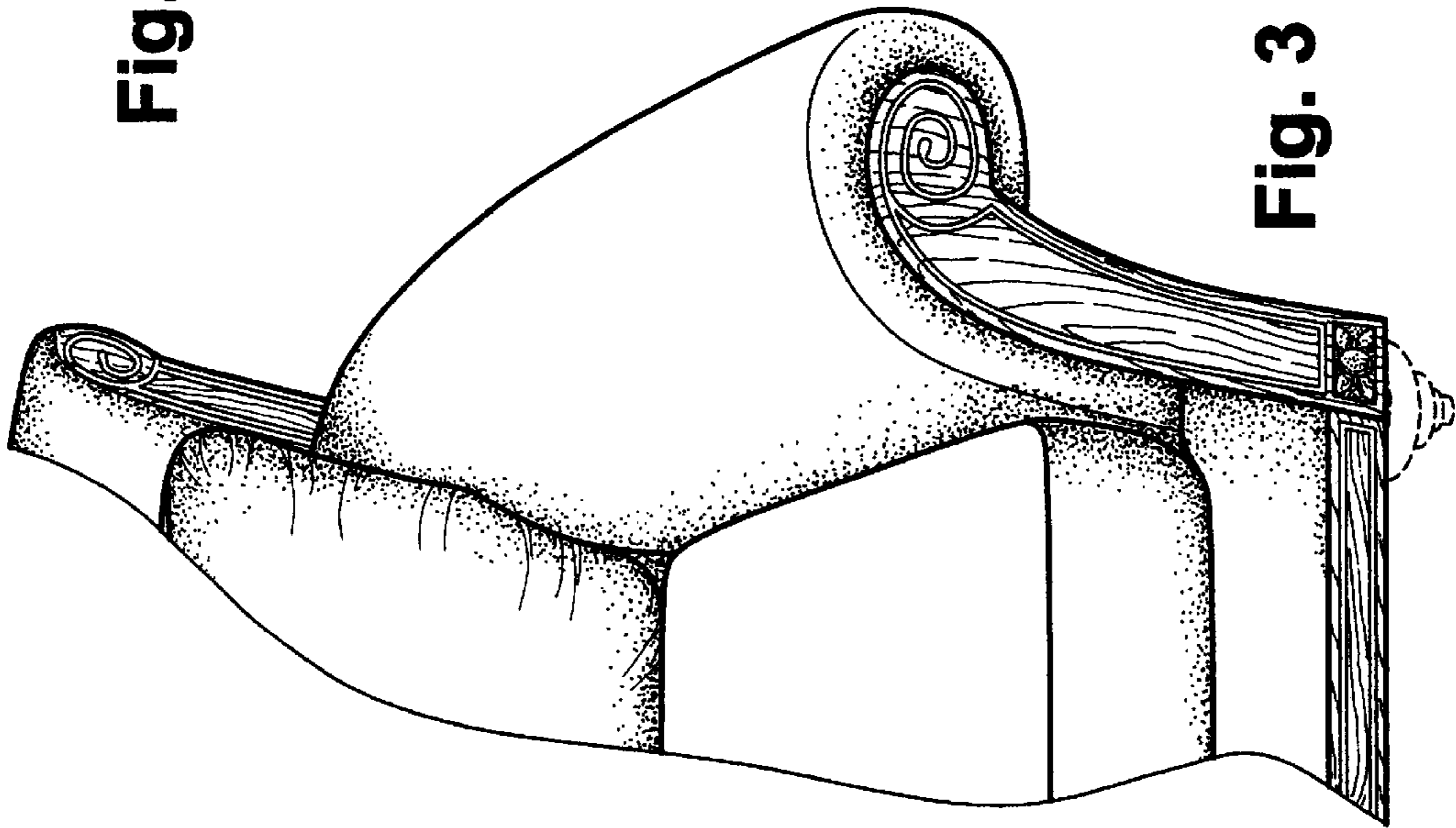


Fig. 3

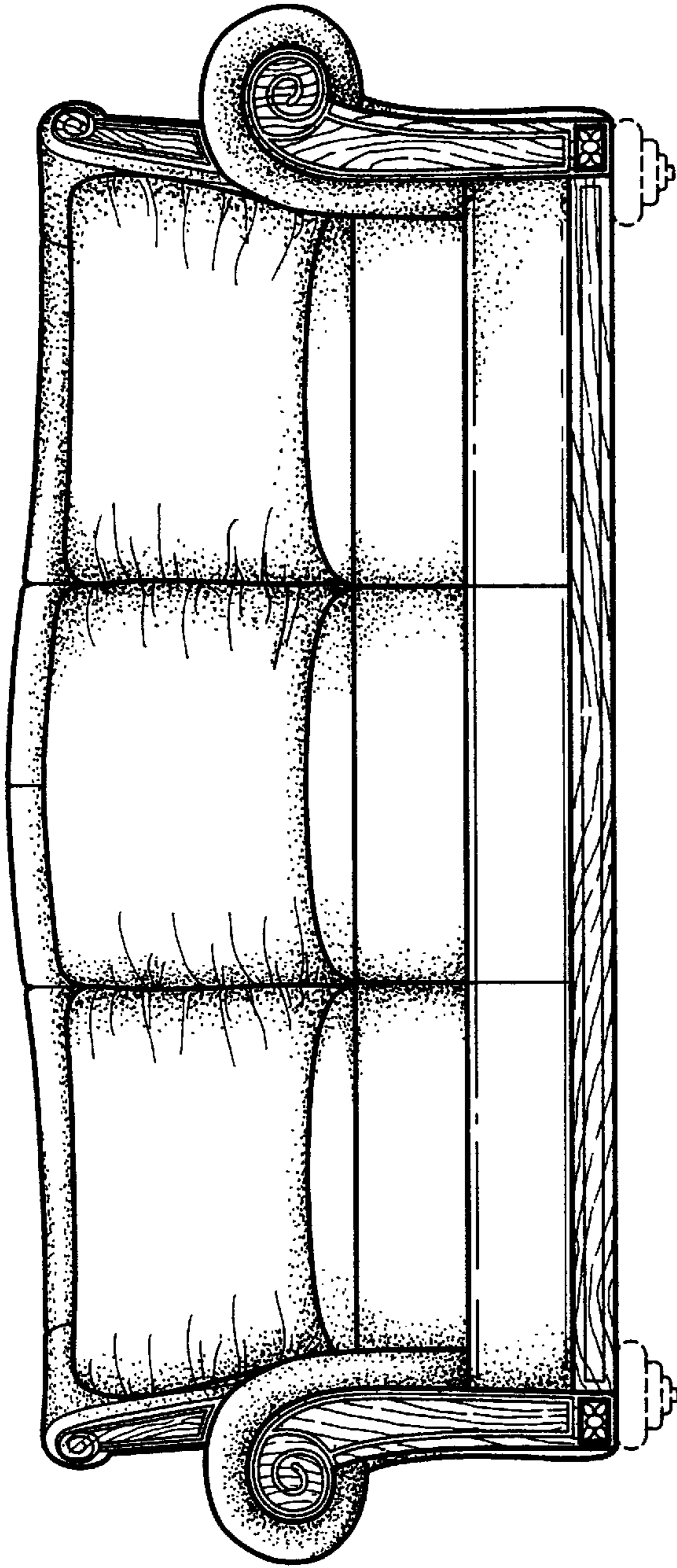


Fig. 4

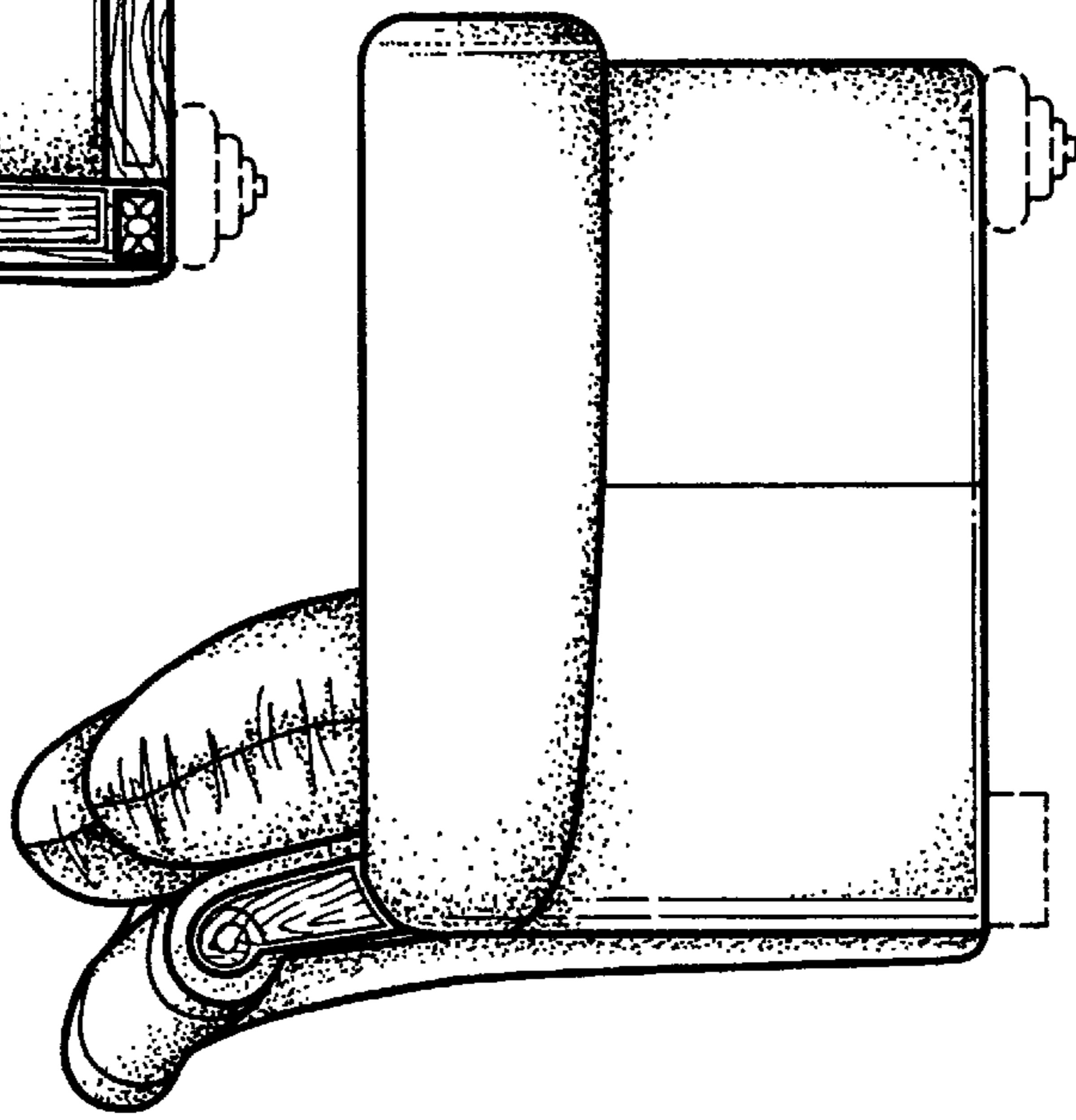


Fig. 5

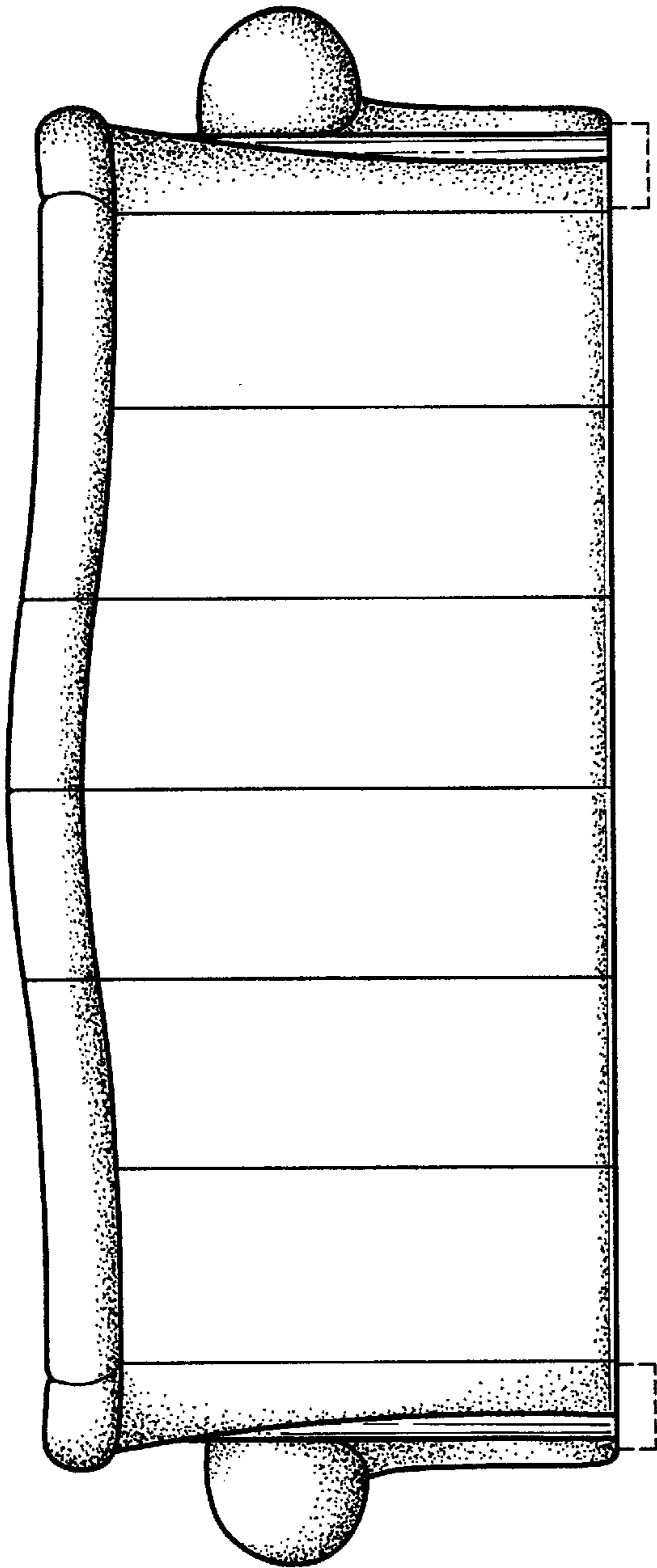


Fig. 6

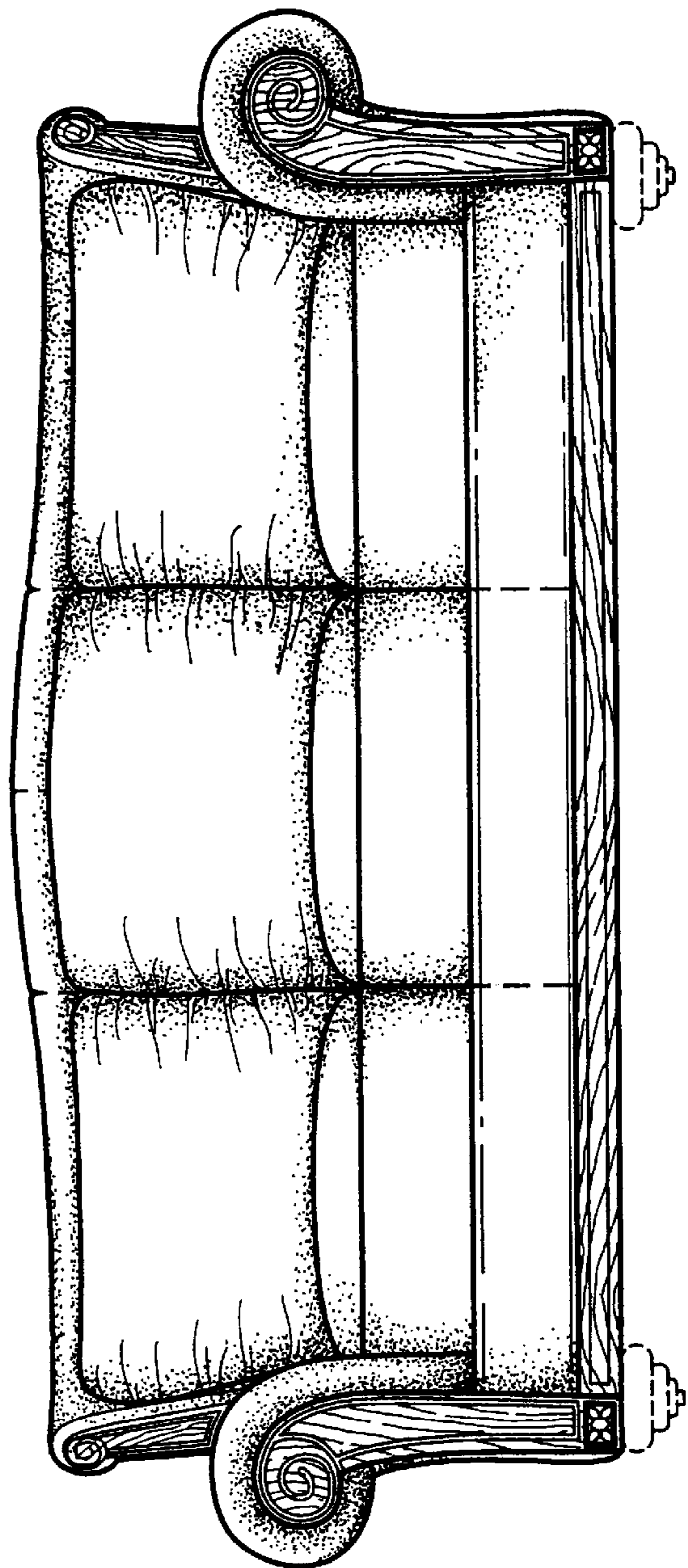


Fig. 7

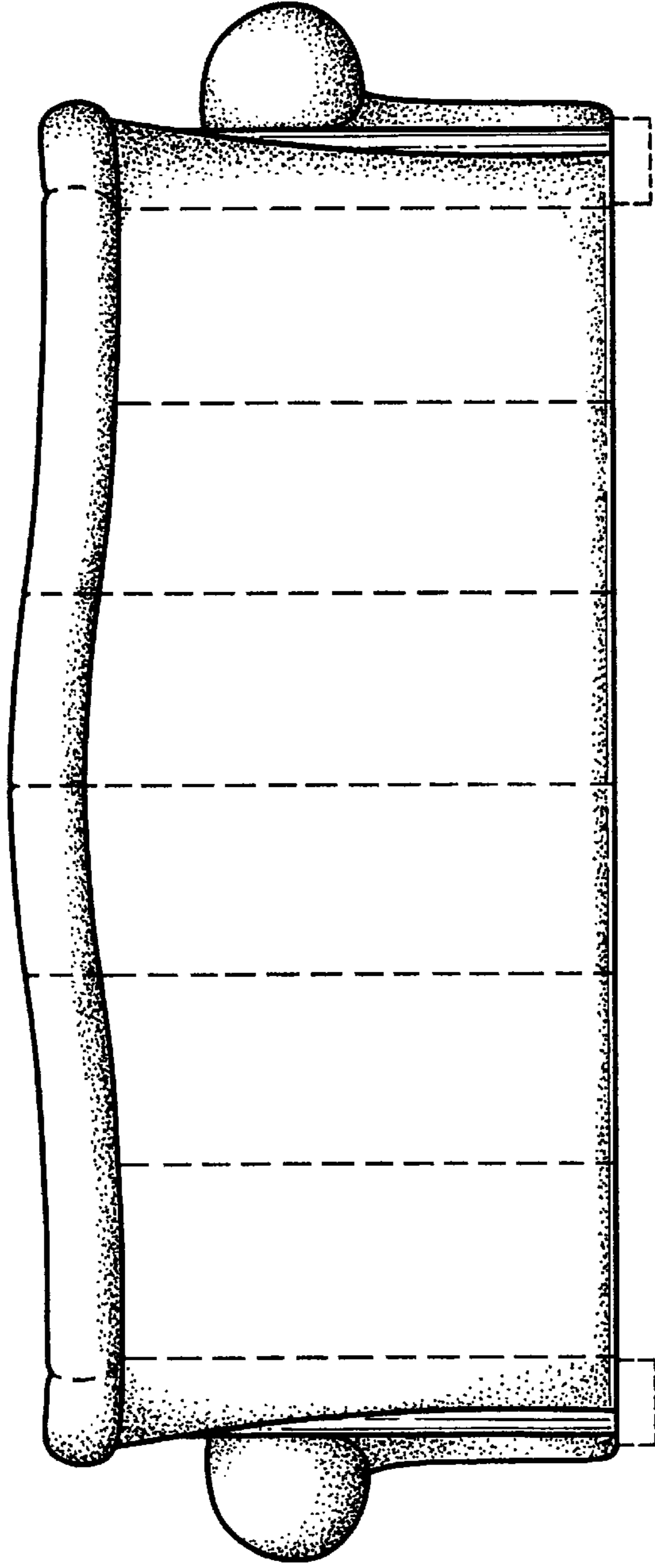


Fig. 9

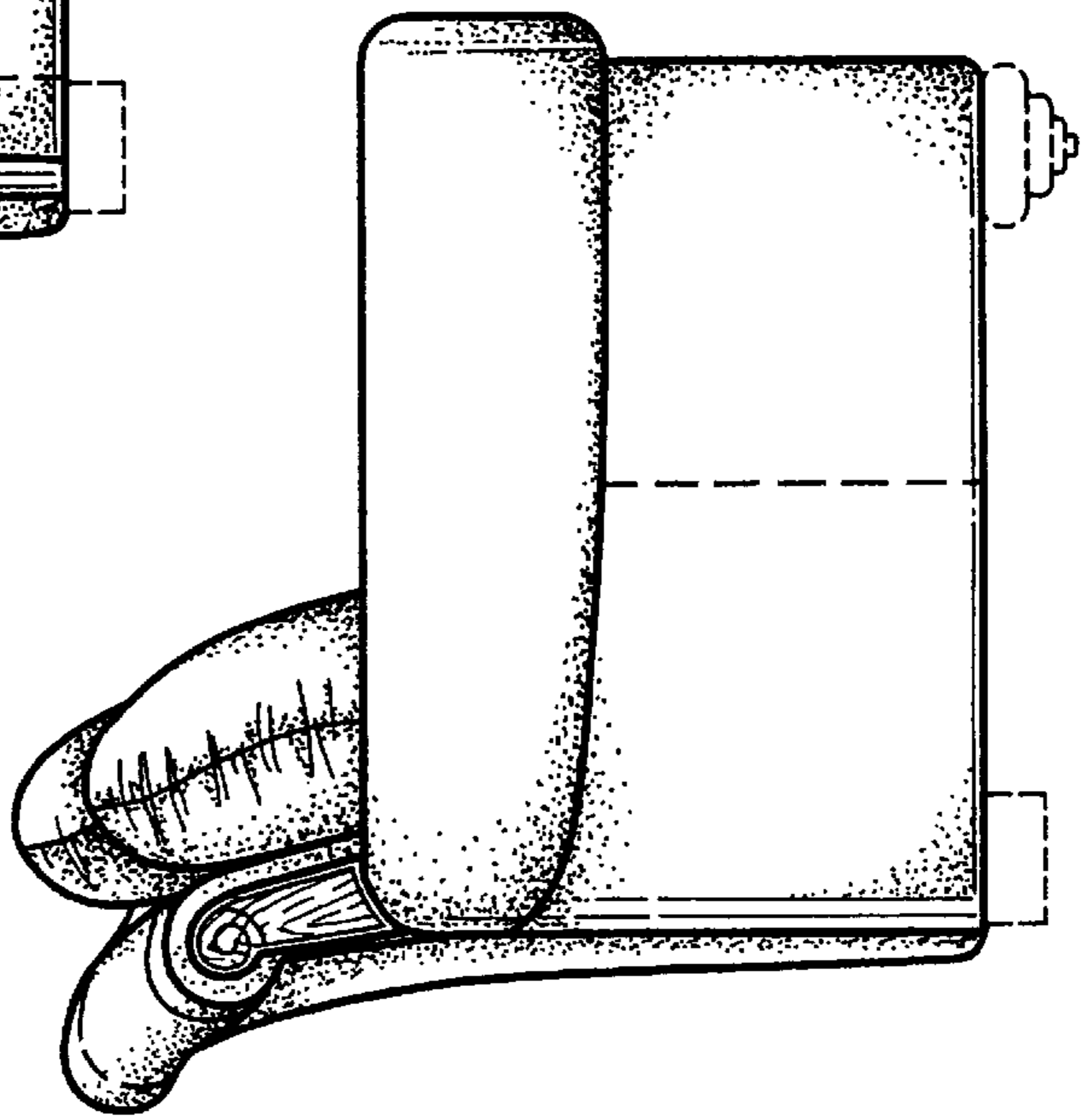


Fig. 8