



US00D470324S

(12) **United States Design Patent** (10) **Patent No.:** **US D470,324 S**
Ricci (45) **Date of Patent:** **** Feb. 18, 2003**

- (54) **SOFA**
- (75) Inventor: **Luca Ricci**, Forli (IT)
- (73) Assignee: **De Coro Ltd.**, Fanling (HK)
- (**) Term: **14 Years**
- (21) Appl. No.: **29/160,118**
- (22) Filed: **May 3, 2002**
- (51) **LOC (7) Cl.** **06-01**
- (52) **U.S. Cl.** **D6/381**
- (58) **Field of Search** D6/334, 335, 336,
D6/364, 371, 381, 500, 501, 502; 5/12.1;
297/232

(56) **References Cited**

U.S. PATENT DOCUMENTS

D360,317 S	7/1995	Natuzzi et al.	
D384,217 S	* 9/1997	Natuzzi et al.	D6/381
D387,575 S	* 12/1997	Natuzzi et al.	D6/381
D407,573 S	* 4/1999	Natuzzi et al.	D6/381
D415,904 S	11/1999	Zaidman	
D419,328 S	* 1/2000	Natuzzi et al.	D6/381
D429,080 S	* 8/2000	Natuzzi et al.	D6/381
D439,759 S	* 4/2001	Natuzzi et al.	D6/381

OTHER PUBLICATIONS

De Coro Ltd. Sofa Model No. 124, Apr. 1998 at the International Home Furnishing Market in High Point, N.C.
 De Coro Ltd. Sofa Model No. 129, Apr. 1998 at the International Home Furnishing Market in High Point, N.C.
 De Coro Ltd. Sofa Model No. 140, Apr. 1998 at the International Home Furnishing Market in High Point, N.C.
 De Coro Ltd. Sofa Model No. 204, Apr. 1999 at the International Home Furnishing Market in High Point, N.C.
 De Coro Ltd. Sofa Model No. 208, Apr. 1999 at the International Home Furnishing Market in High Point, N.C.
 De Core Ltd. Sofa Model No. 213, Apr. 1999 at the International Home Furnishing Market in High Point, N.C.

De Coro Ltd. Sofa Model No. 215, Apr. 1999 at the International Home Furnishing Market in High Point, N.C.
 De Coro Ltd. Sofa Model No. 218, Apr. 1999 at the International Home Furnishing Market in High Point, N.C.
 De Cora Ltd. Sofa Model No. 2019, April 2000 at the International Home Furnishing Market in High Point, N.C.
 De Core Ltd. Sofa Model No. 2037, Apr. 2000 at the International Home Furnishing Market in High Point, N.C.
 De Coro Ltd. Sofa Model No. 2039, Apr. 2000 at the International Home Furnishing Market in High Point, N.C.
 De Coro Ltd. Sofa Model No. 2049, Apr. 2000 at the International Home Furnishing Market in High Point, N.C.
 De Coro Ltd. Sofa Model No. 2050, Apr. 2000 at the International Home Furnishing Market in High Point, N.C.

* cited by examiner

Primary Examiner—Gary D. Watson

(74) *Attorney, Agent, or Firm*—Luce, Forward, Hamilton & Scripps LLP

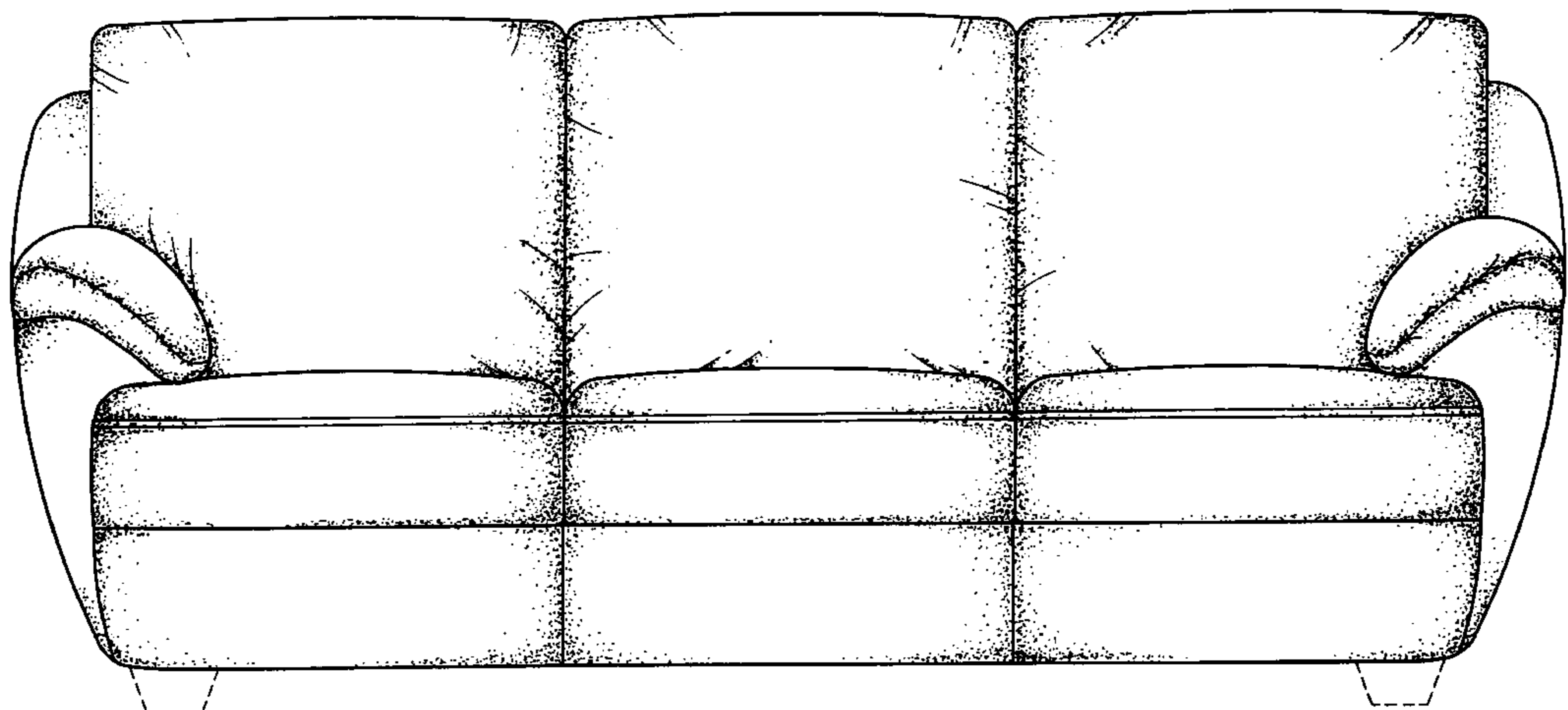
(57) **CLAIM**

The ornamental design for a sofa, as shown and described.

DESCRIPTION

FIG. 1 is a front elevation view of a sofa showing my new design;
 FIG. 2 is a rear elevation view of the embodiment of FIG. 1;
 FIG. 3 is a left, side elevation view of the embodiment of FIG. 1;
 FIG. 4 is a front elevation view of a second embodiment of the sofa depicted in FIG. 1;
 FIG. 5 is a back elevation view of the embodiment of FIG. 4; and,
 FIG. 6 is a left, side elevation view of the embodiment of FIG. 4.
 The broken line disclosure is for illustrative purposes only and forms no part of the claimed design.

1 Claim, 6 Drawing Sheets



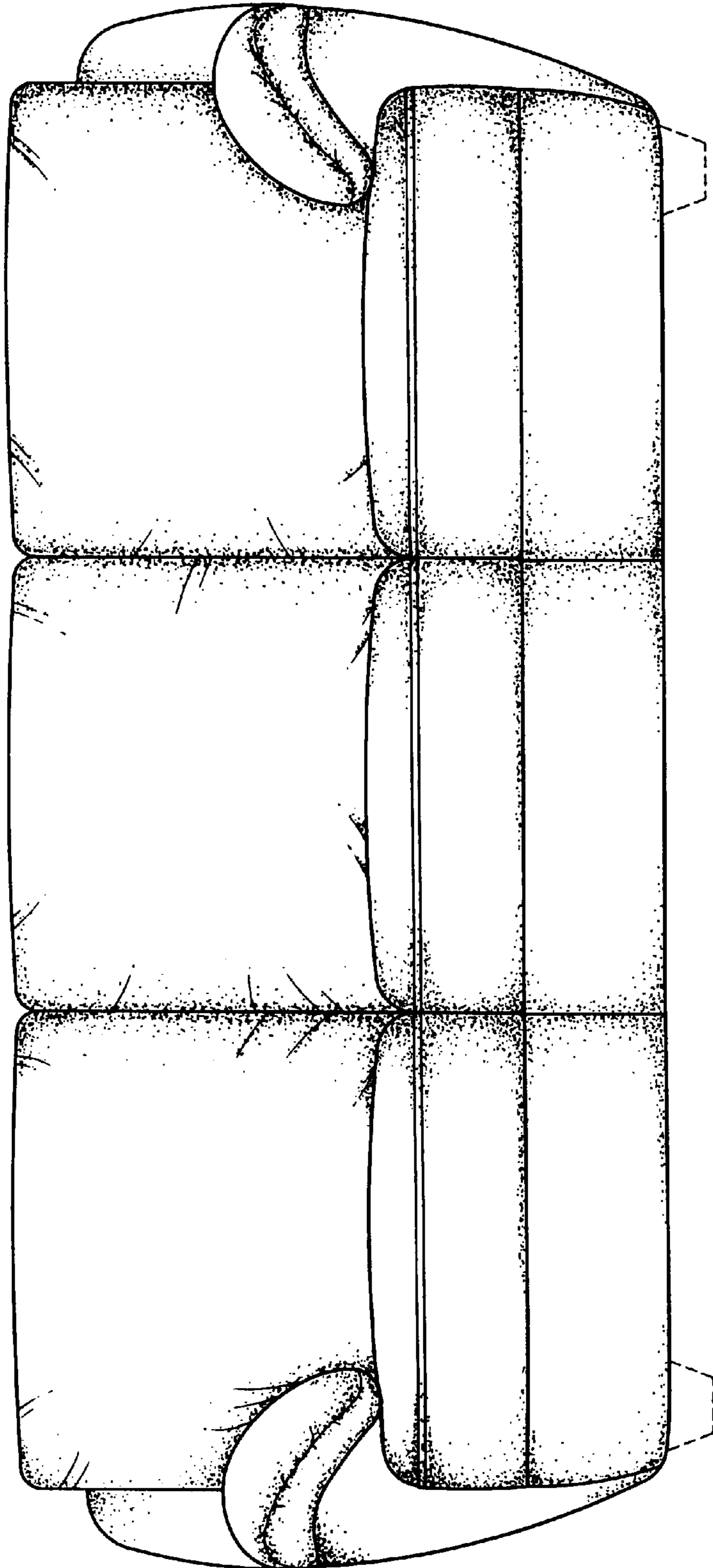


FIG. 1

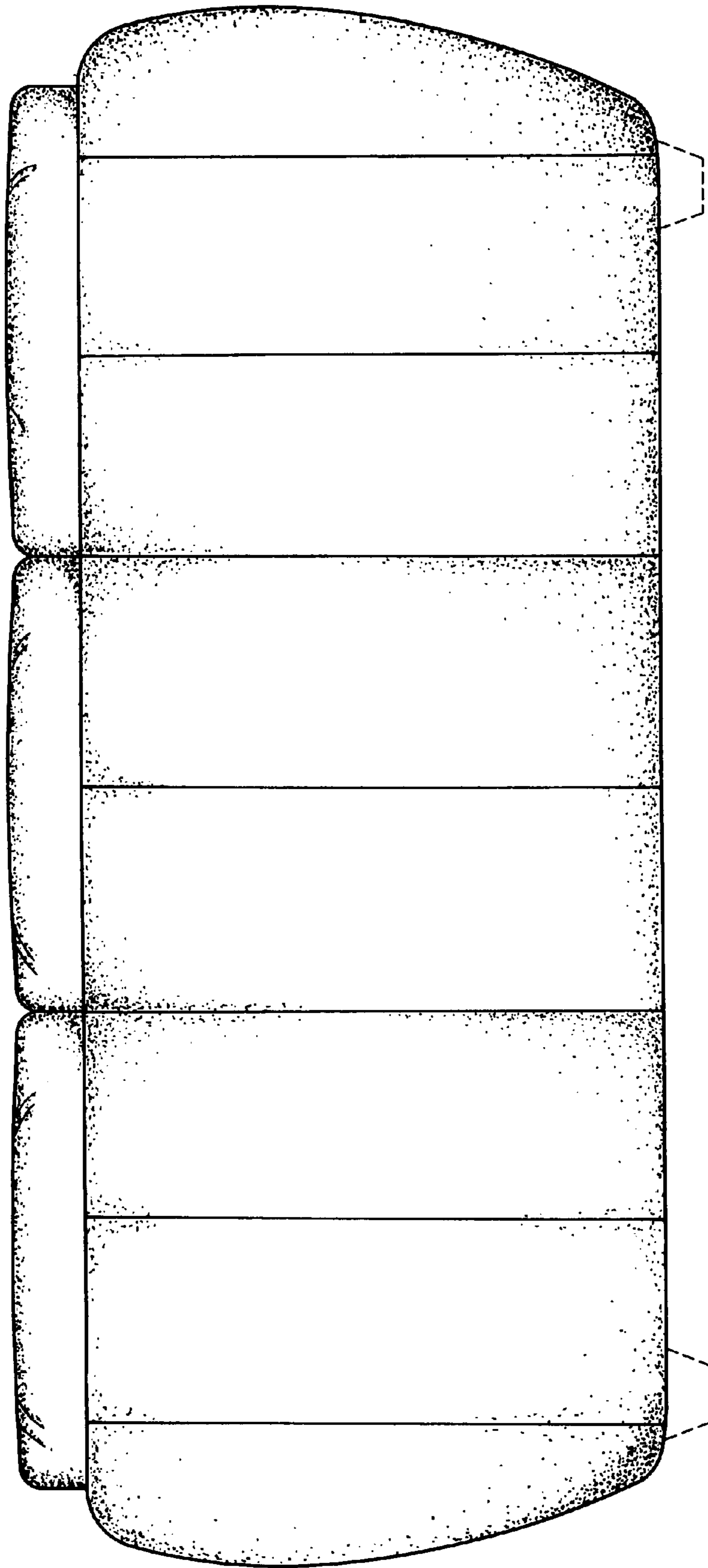


FIG. 2

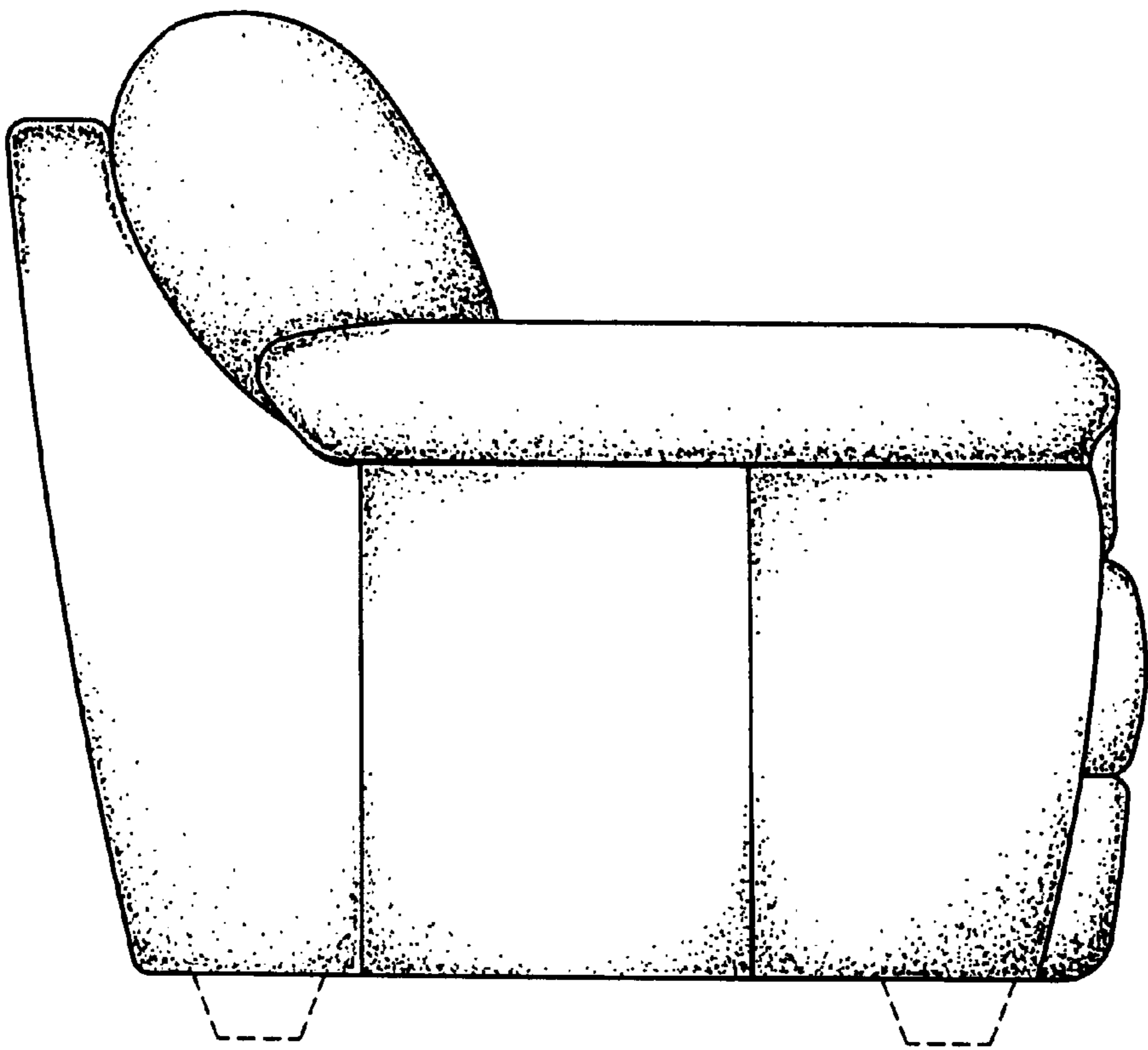


FIG. 3

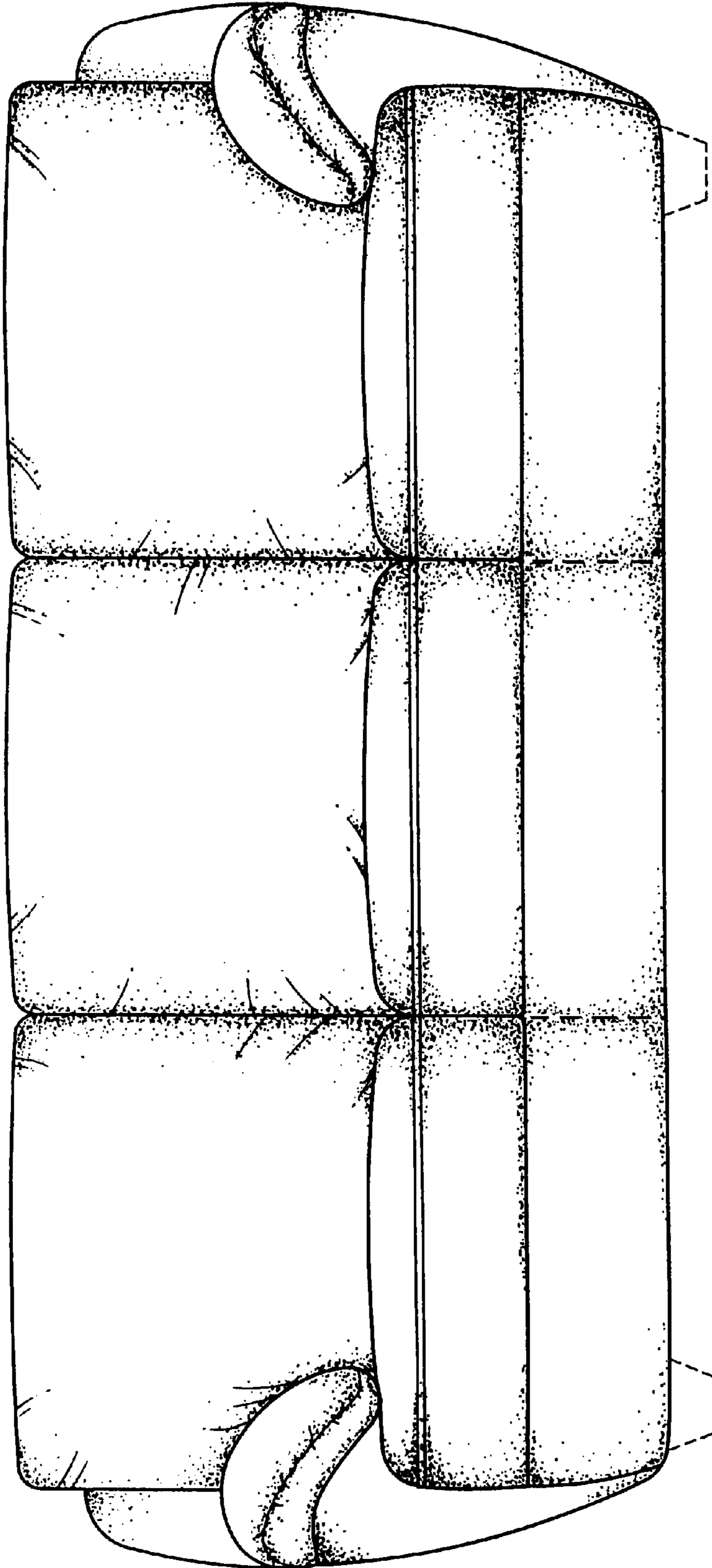


FIG. 4

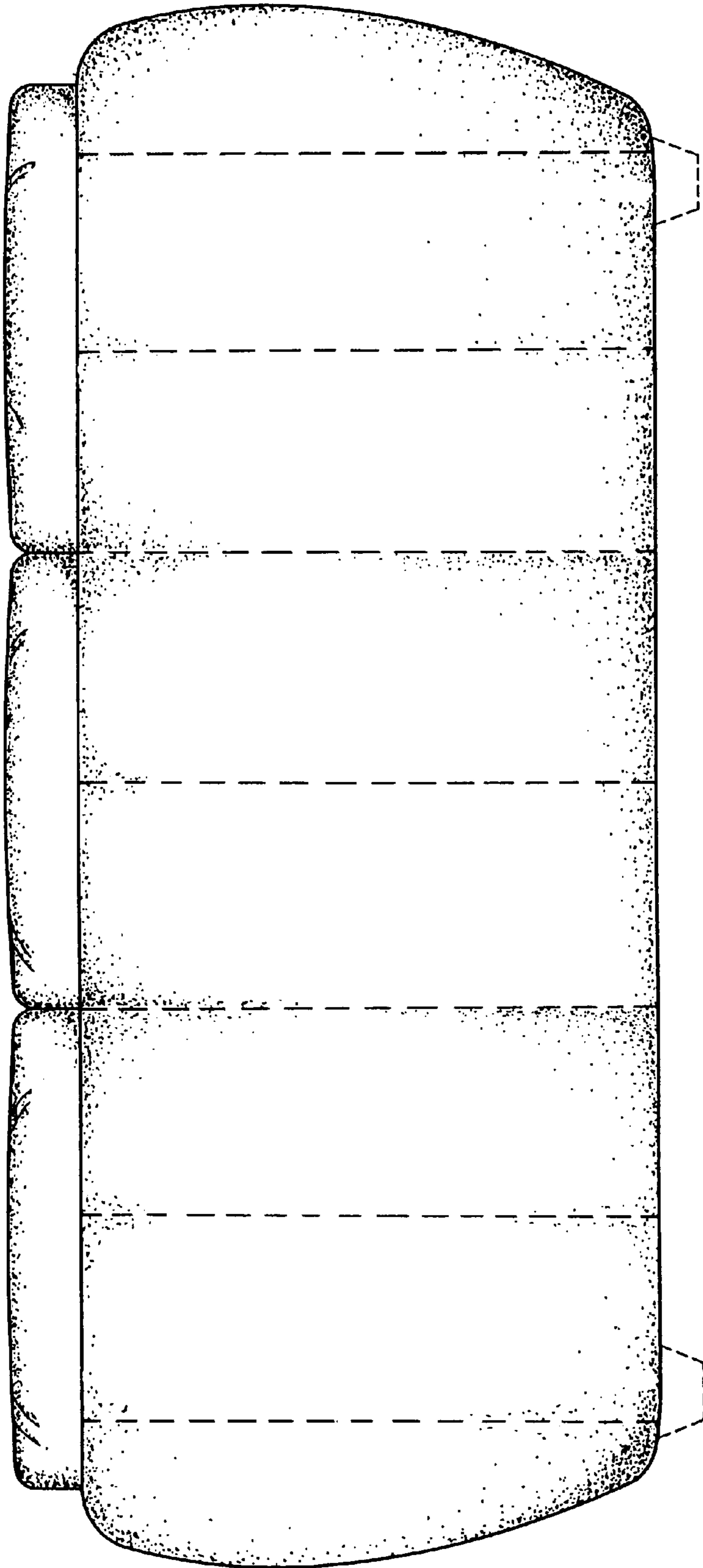


FIG. 5

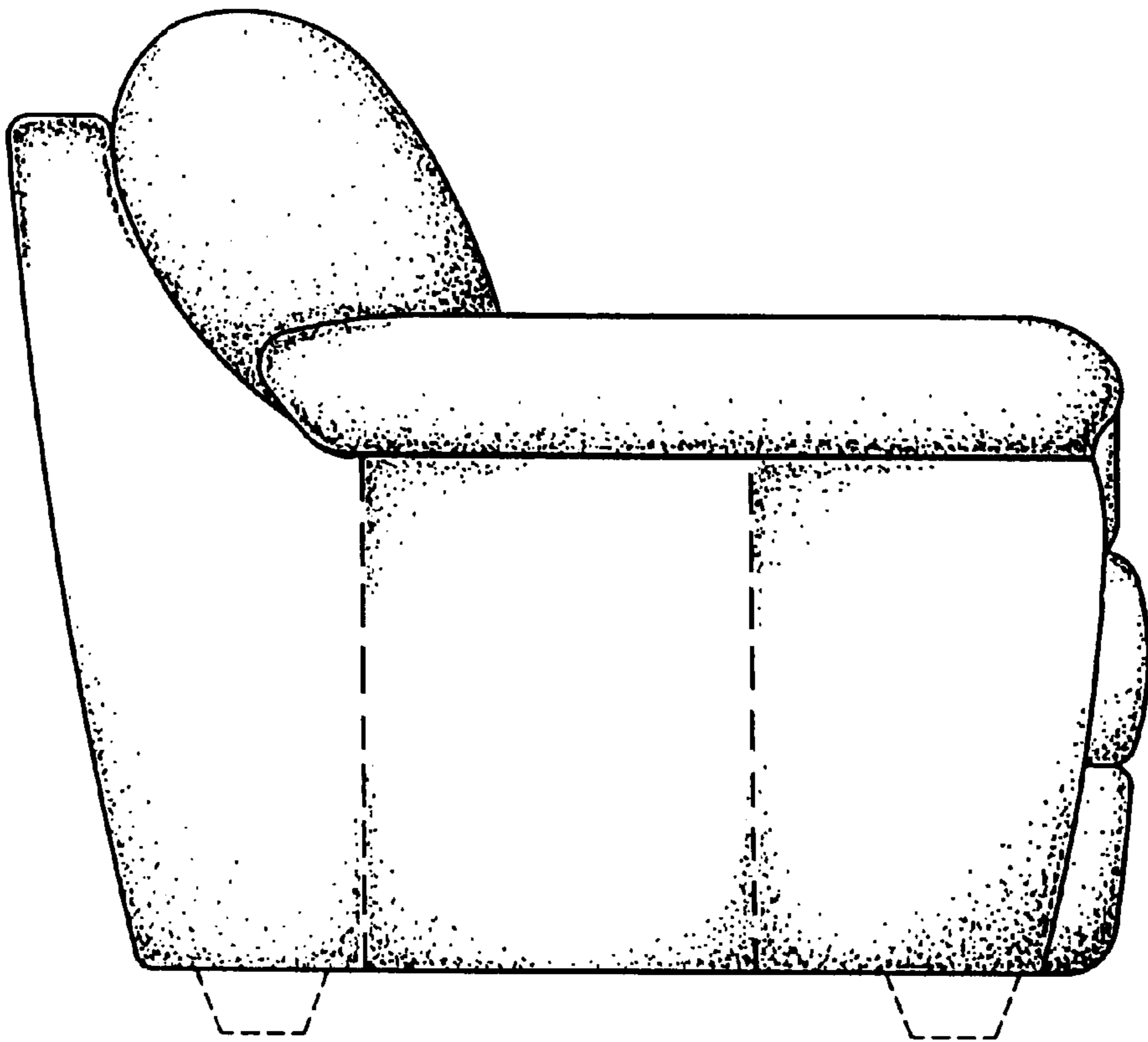


FIG. 6