



US00D470323S

(12) **United States Design Patent** (10) **Patent No.:** **US D470,323 S**
Ricci (45) **Date of Patent:** **** Feb. 18, 2003**

- (54) **SOFA**
- (75) Inventor: **Luca Ricci**, Forli (IT)
- (73) Assignee: **De Coro Ltd.**, Fanling (HK)
- (**) Term: **14 Years**
- (21) Appl. No.: **29/160,111**
- (22) Filed: **May 3, 2002**
- (51) **LOC (7) Cl.** **06-01**
- (52) **U.S. Cl.** **D6/381**
- (58) **Field of Search** D6/334, 335, 336,
D6/364, 371, 381, 500, 501, 502; 5/12.1;
297/232

De Coro Ltd. Sofa Model No. 237, Apr., 1999 at the International Home Furnishing Market in High Point, N.C.
 De Coro Ltd. Sofa Model No. 244, Apr., 1999 at the International Home Furnishing Market in High Point, N.C.
 De Coro Ltd. Sofa Model No. 277, Apr., 1999 at the International Home Furnishing Market in High Point, N.C.
 De Coro Ltd. Sofa Model No. 2021, Apr., 2000 at the International Home Furnishing Market in High Point, N.C.
 De Coro Ltd. Sofa Model No. 2043, Apr., 2000 at the International Home Furnishing Market in High Point, N.C.
 De Coro Ltd. Sofa Model No. 2069, Apr., 2000 at the International Home Furnishing Market in High Point, N.C.
 De Coro Ltd. Sofa Model No. 2054, Apr., 2000 at the International Home Furnishing Market in High Point, N.C.

(List continued on next page.)

(56) **References Cited**

U.S. PATENT DOCUMENTS

D363,614 S	10/1995	Natuzzi et al.	
D364,975 S	12/1995	Natuzzi et al.	
D370,356 S	6/1996	Natuzzi et al.	
D371,915 S	7/1996	Natuzzi et al.	
D407,573 S	* 4/1999	Natuzzi et al. D6/381
D415,904 S	* 11/1999	Zaidman D6/381
D429,080 S	* 8/2000	Natuzzi et al. D6/381
D431,927 S	* 10/2000	Natuzzi et al. D6/381
D432,328 S	* 10/2000	Natuzzi et al. D6/381

OTHER PUBLICATIONS

Natuzzi Model 1400, International Home Furnishings market, High Point, NC, Mar. 1996.*
 De Coro Ltd. Sofa Model No. 127, Apr., 1998 at the International Home Furnishing Market in High Point, N.C.
 De Coro Ltd. Sofa Model No. 160, Apr., 1998 at the International Home Furnishing Market in High Point, N.C.
 De Coro Ltd. Sofa Model No. 162, Apr., 1998 at the International Home Furnishing Market in High Point, N.C.
 De Coro Ltd. Sofa Model No. 165, Apr., 1998 at the International Home Furnishing Market in High Point, N.C.
 De Coro Ltd. Sofa Model No. 204, Apr., 1999 at the International Home Furnishing Market in High Point, N.C.
 De Coro Ltd. Sofa Model No. 213, Apr., 1999 at the International Home Furnishing Market in High Point, N.C.

Primary Examiner—Gary D. Watson

(74) *Attorney, Agent, or Firm*—Luce, Forward, Hamilton & Scripps LLP

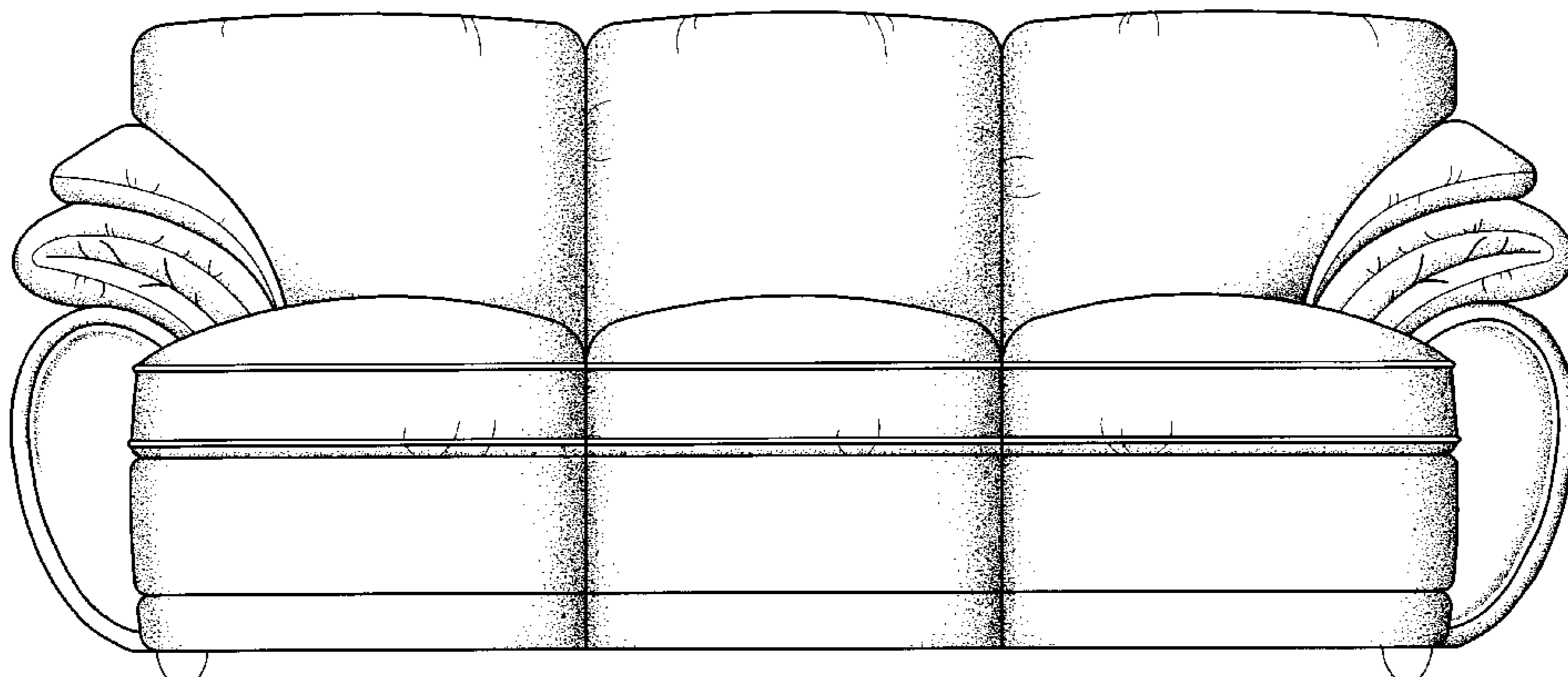
(57) **CLAIM**

The ornamental design for a sofa, as shown and described.

DESCRIPTION

FIG. 1 is a front elevation view of a sofa showing our new design;
 FIG. 2 is a rear elevation view of the embodiment of FIG. 1;
 FIG. 3 is a left, side elevation view of the embodiment of FIG. 1;
 FIG. 4 is a front elevation view of a second embodiment of the sofa depicted in FIG. 1;
 FIG. 5 is a back elevation view of the embodiment of FIG. 4; and,
 FIG. 6 is a left, side elevation view of the embodiment of FIG. 4.
 The broken line disclosure is for illustrative purposes only and forms no part of the claimed design.

1 Claim, 6 Drawing Sheets



OTHER PUBLICATIONS

De Coro Ltd. Sofa Model No. 2059, Apr., 2000 at the International Home Furnishing Market in High Point, N.C.
De Coro Ltd. Sofa Model No. 2067, Apr., 2000 at the International Home Furnishing Market in High Point, N.C.

De Coro Ltd. Sofa Model No. 2099, Apr., 2000 at the International Home Furnishing Market in High Point, N.C.
De Coro Ltd. Sofa Model No. 2100, Oct., 2001 at the International Home Furnishing Market in High Point, N.C.

* cited by examiner

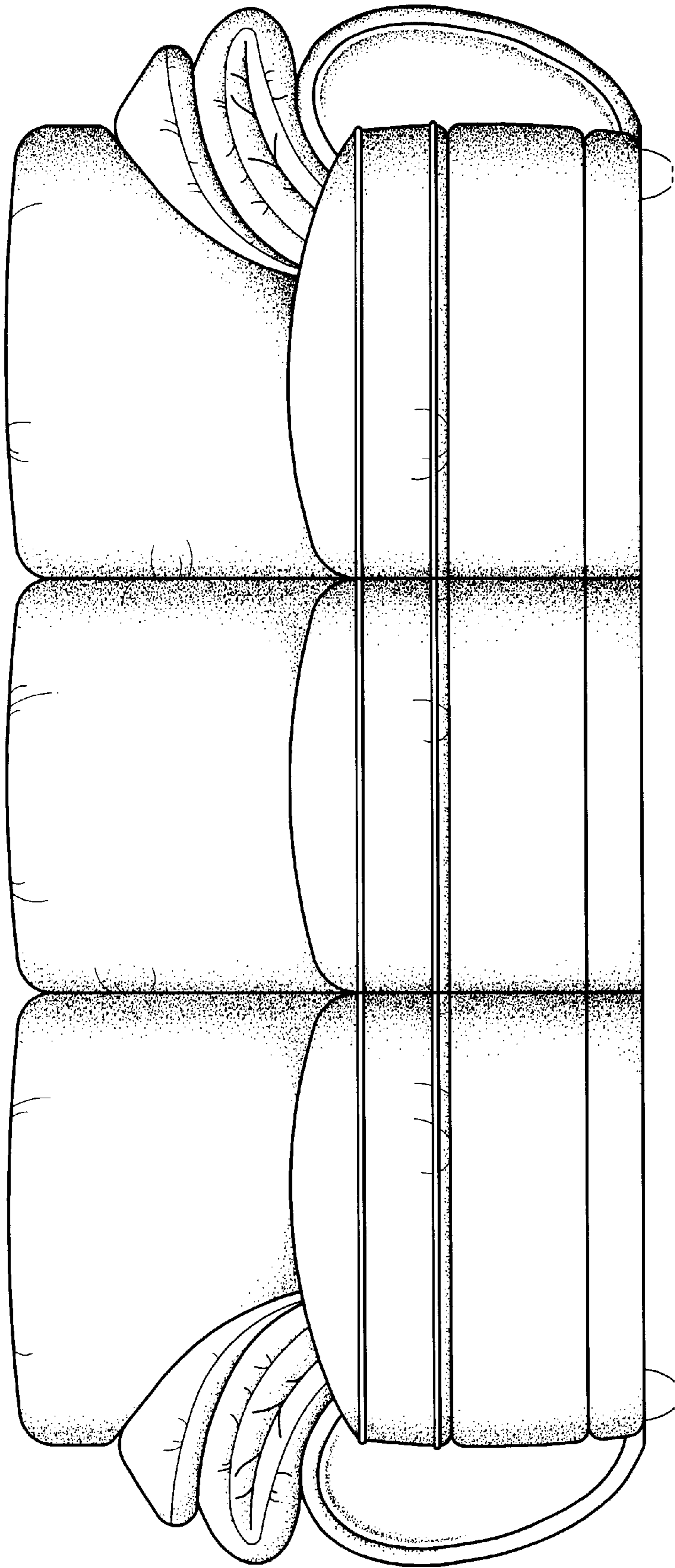


FIG. 1

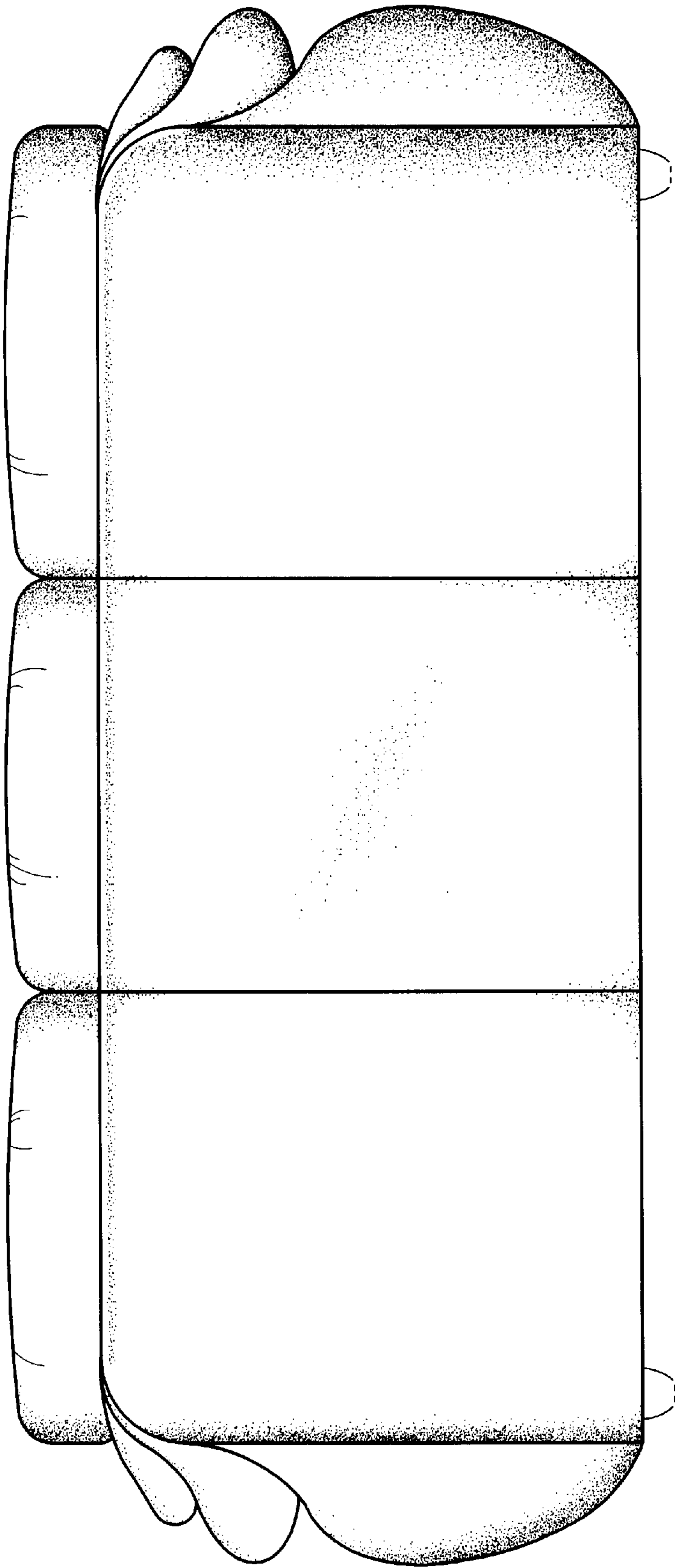


FIG. 2

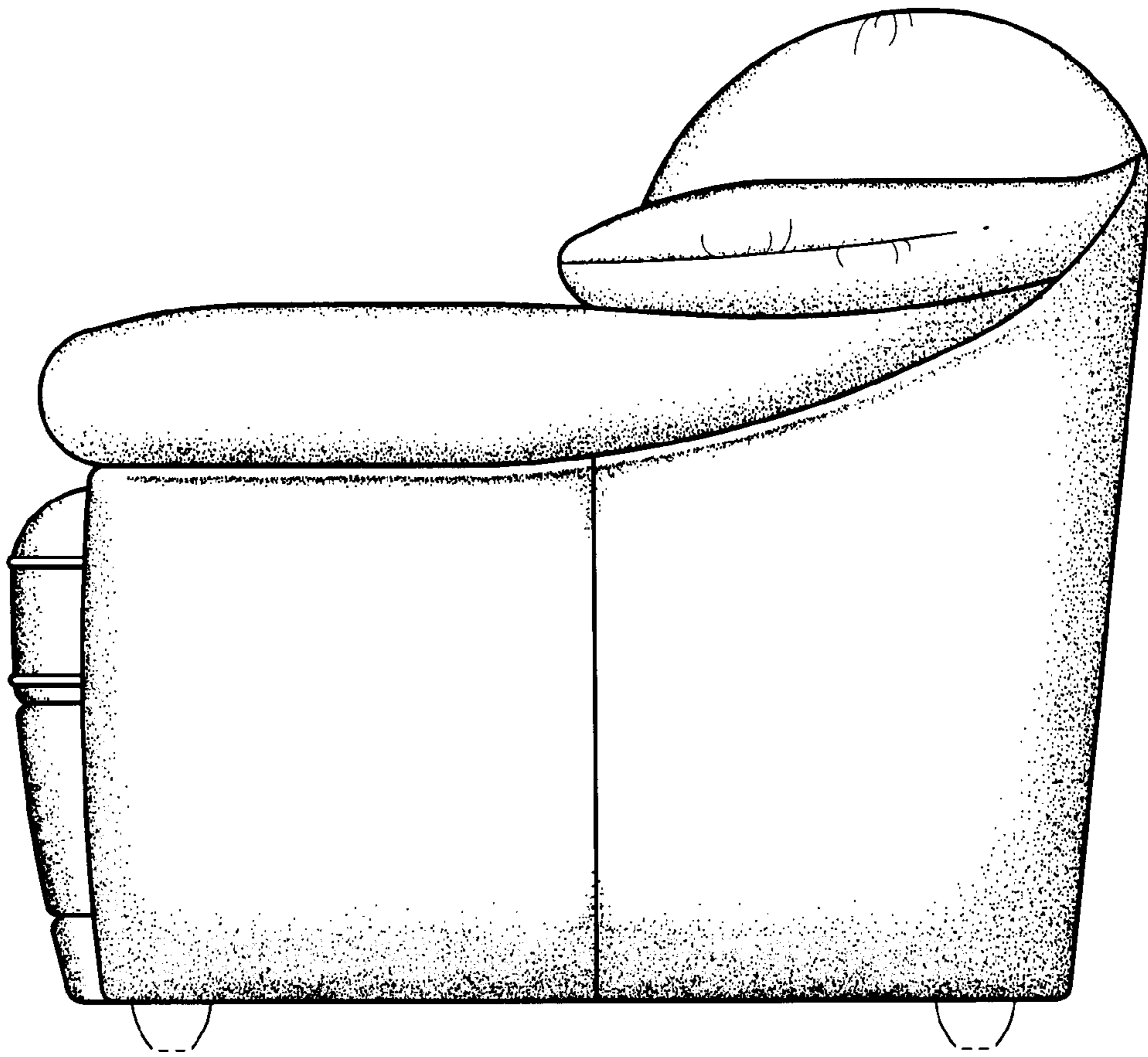


FIG. 3

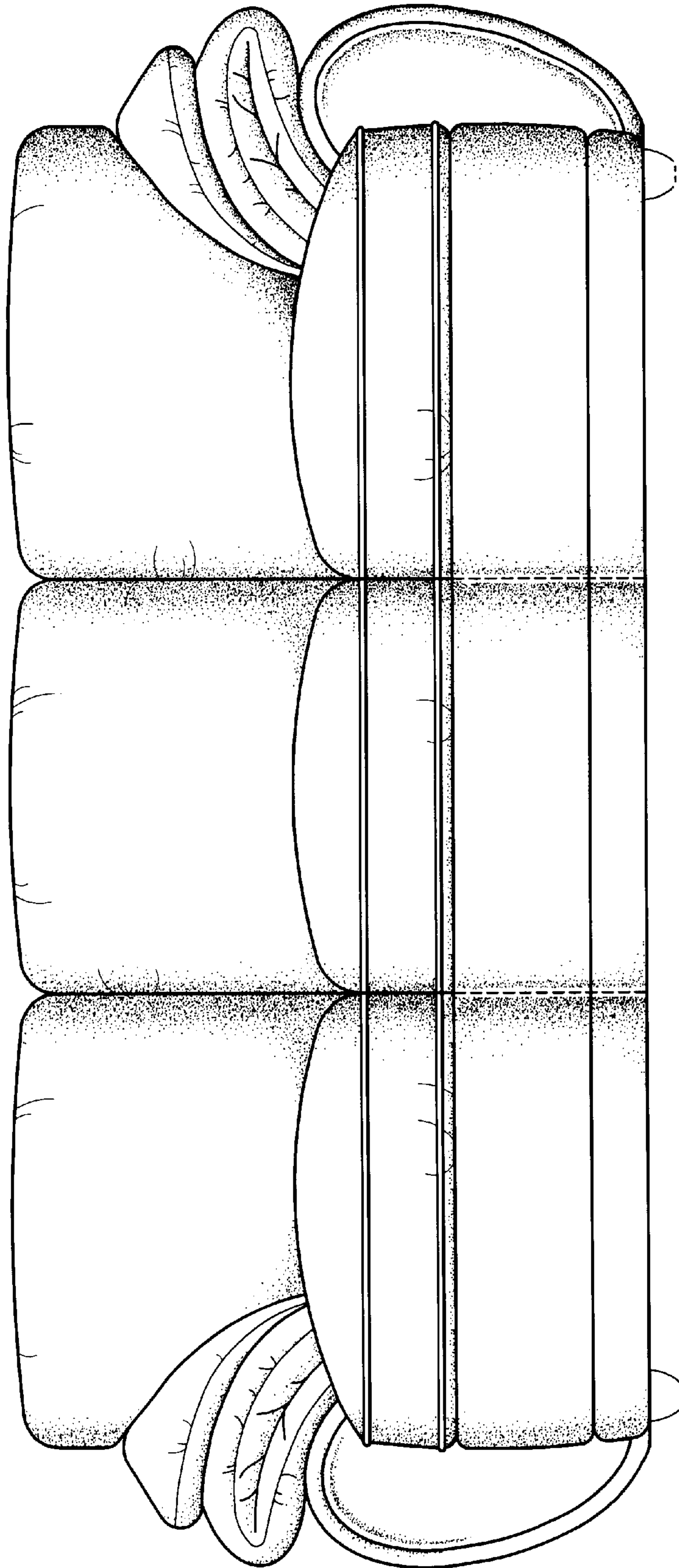


FIG. 4

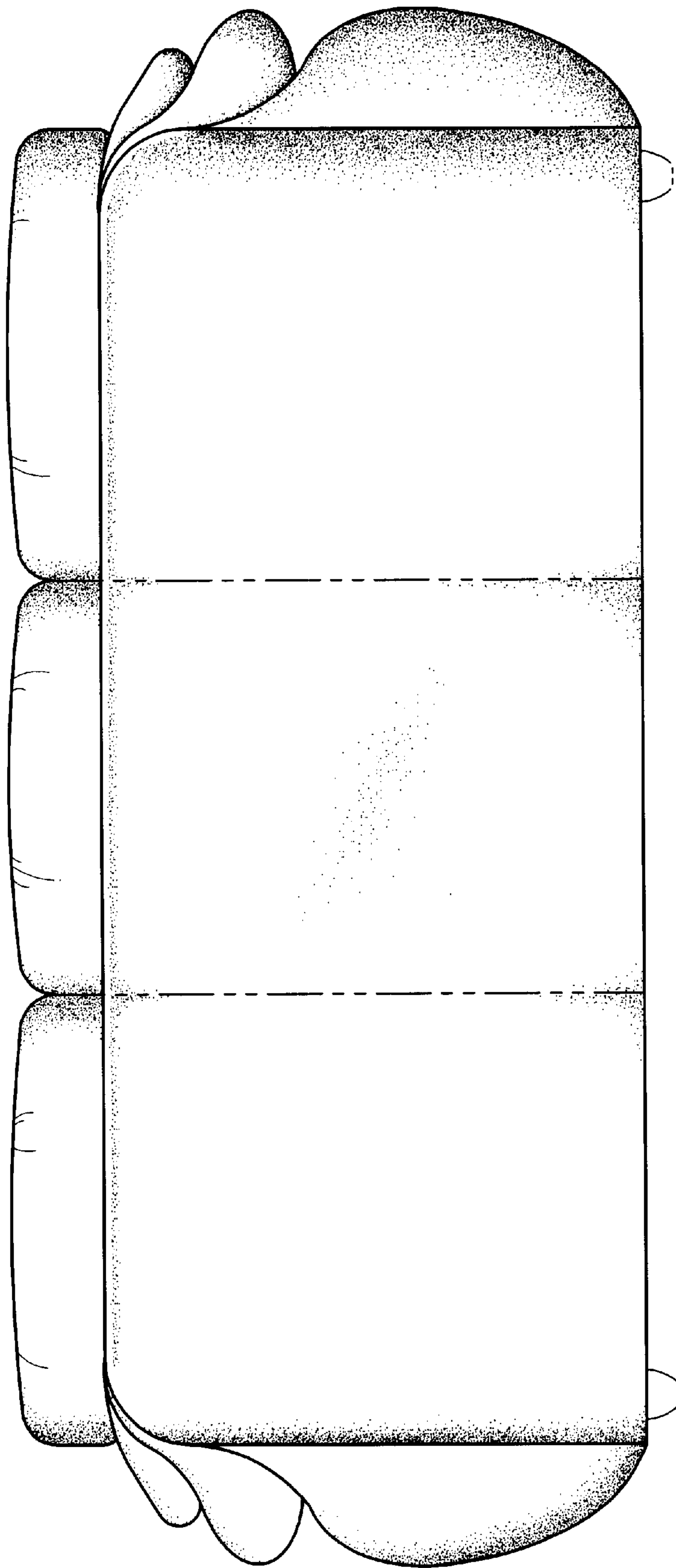


FIG. 5

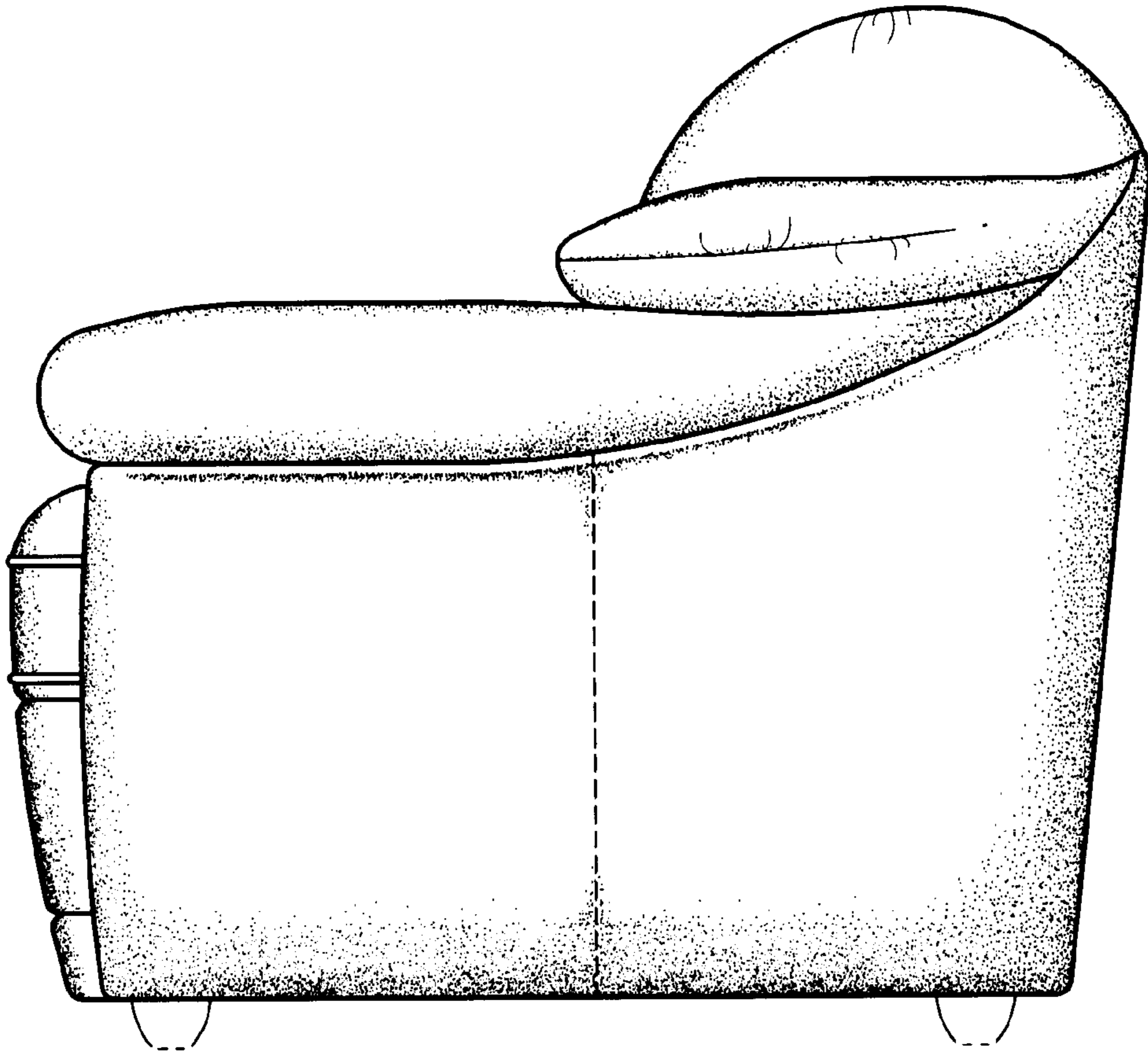


FIG. 6