



US00D470317S

(12) **United States Design Patent**
Roth

(10) **Patent No.:** **US D470,317 S**

(45) **Date of Patent:** **** Feb. 18, 2003**

(54) **CHAIR BASE**

(75) **Inventor:** **Peter Simon Roth, Slough (GB)**

(73) **Assignee:** **G. N. Burgess and Company Ltd., Middlesex (GB)**

(**) **Term:** **14 Years**

(21) **Appl. No.:** **29/150,396**

(22) **Filed:** **Nov. 14, 2001**

(51) **LOC (7) Cl.** **06-01**

(52) **U.S. Cl.** **D6/334; D6/500**

(58) **Field of Search** **D6/334, 374, 375, D6/376, 379, 380, 500, 501, 502; 297/239, 445.1**

(56) **References Cited**

U.S. PATENT DOCUMENTS

D143,982 S	*	2/1946	Michelson	D6/334
D178,505 S	*	8/1956	Duer	D6/334
D180,996 S		9/1957	Cramer	D15/1
3,102,733 A		9/1963	Burnett	280/36
3,291,529 A		12/1966	Straits	297/445

D336,795 S	*	6/1993	Rowe et al.	D6/334
5,524,963 A		6/1996	Barile	297/239
D421,344 S	*	3/2000	Kaiser		

* cited by examiner

Primary Examiner—Gary D. Watson

(74) *Attorney, Agent, or Firm*—Gifford, Krass, Groh, Sprinkle, Anderson & Citkowski, P.C.

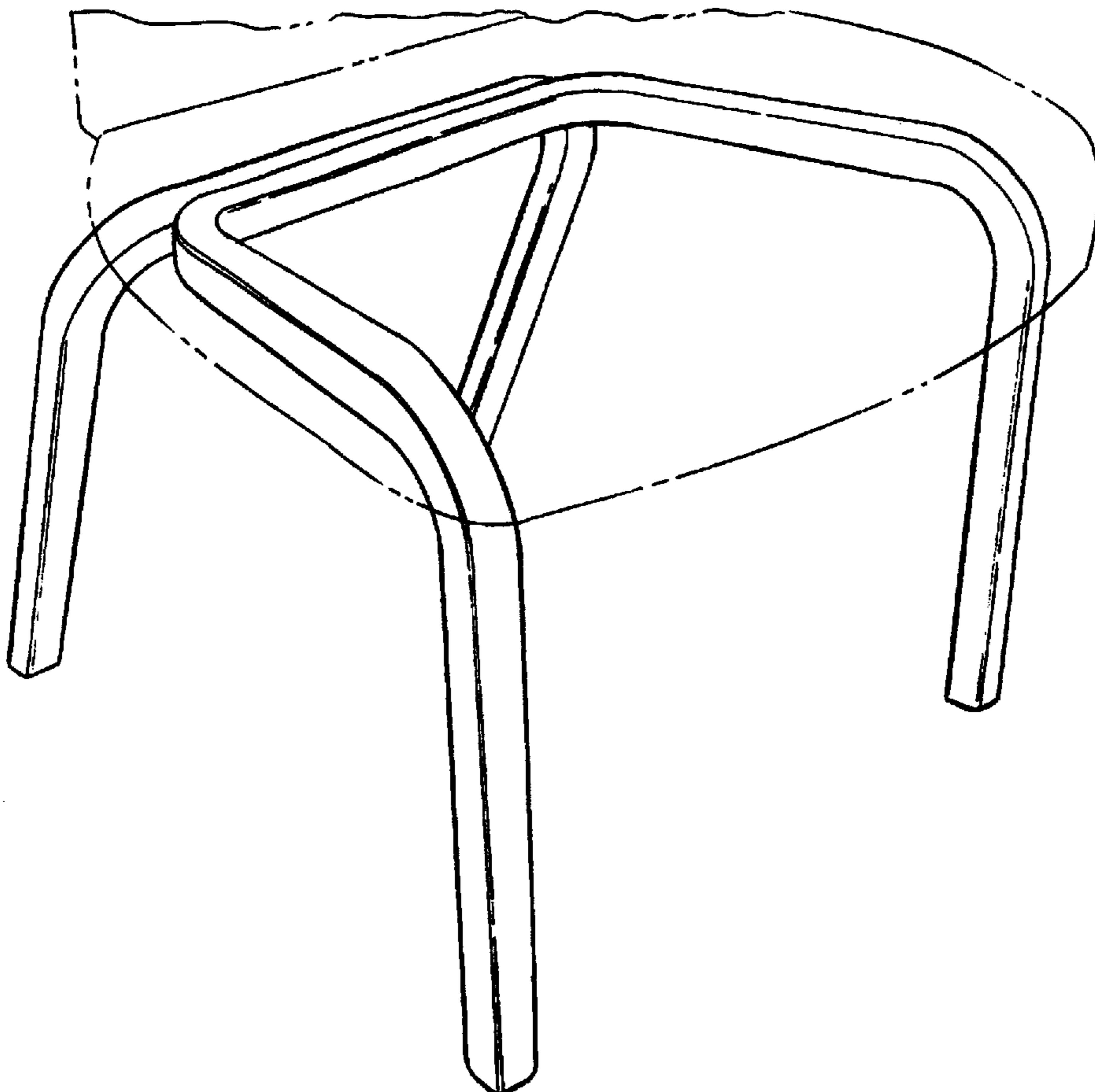
(57) **CLAIM**

The ornamental design for a chair base, as shown and described.

DESCRIPTION

FIG. 1 is a perspective view of a chair base according to the present invention, with broken lines indicating portions of the chair which forms no part of the claimed invention; FIG. 2 is a side elevational view of the base of FIG. 1, with the other side being a mirror image thereof; FIG. 3 is a front elevational view of the base of FIG. 1; FIG. 4 is a rear elevational view of the base of FIG. 1; FIG. 5 is a top plan view of the base of FIG. 1; and, FIG. 6 is a bottom plan view of a base of FIG. 1.

1 Claim, 3 Drawing Sheets



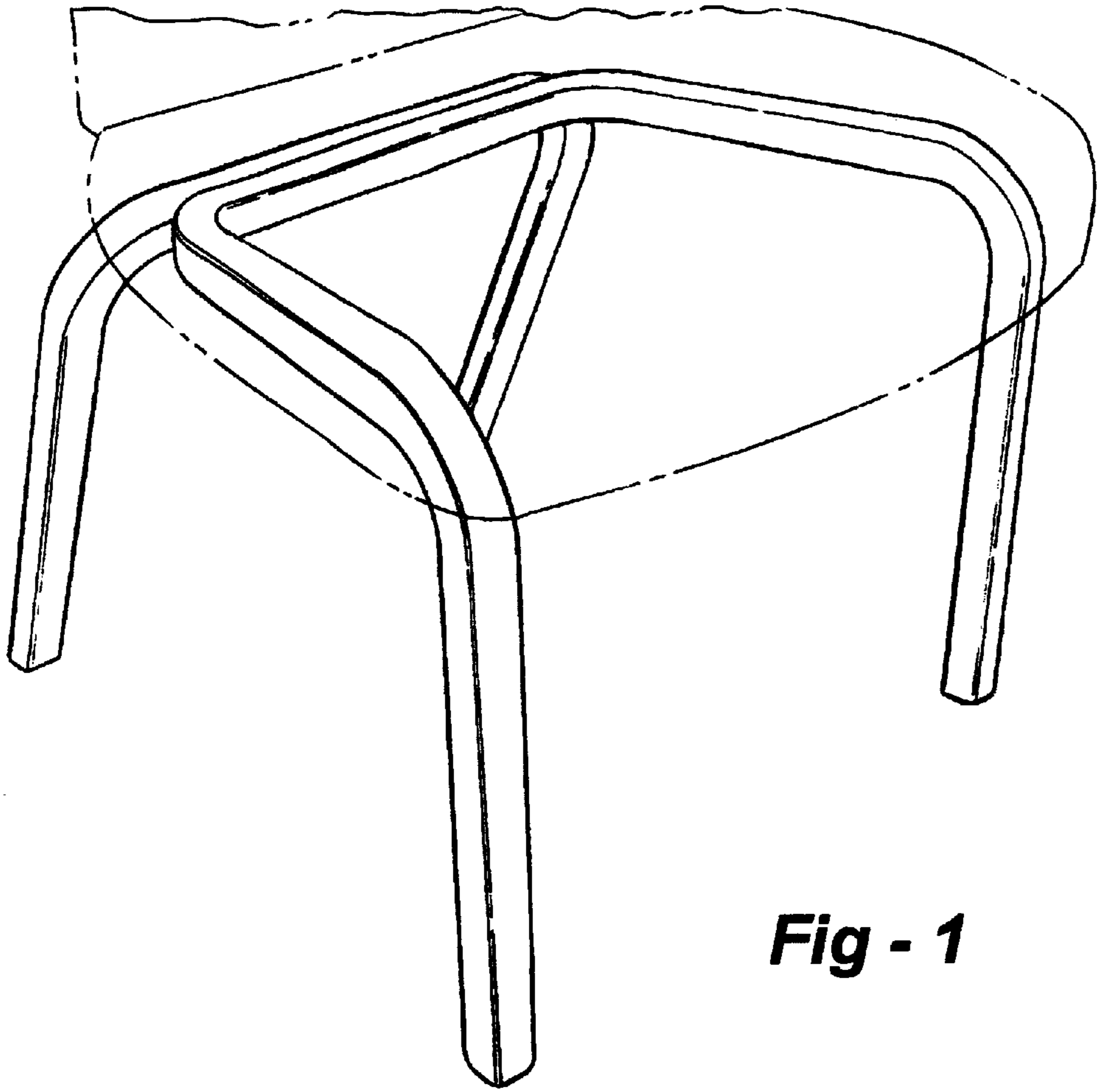


Fig - 1

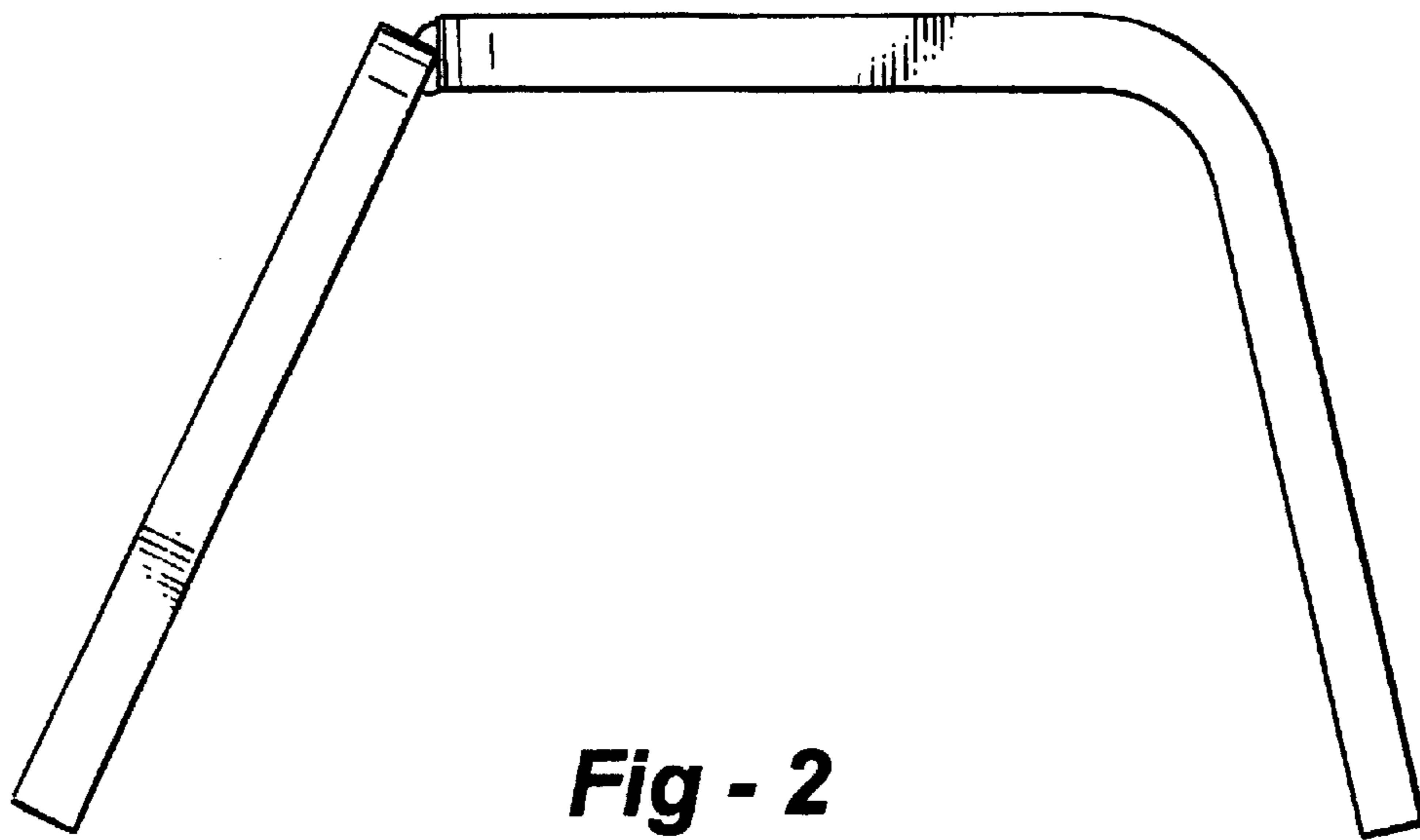


Fig - 2

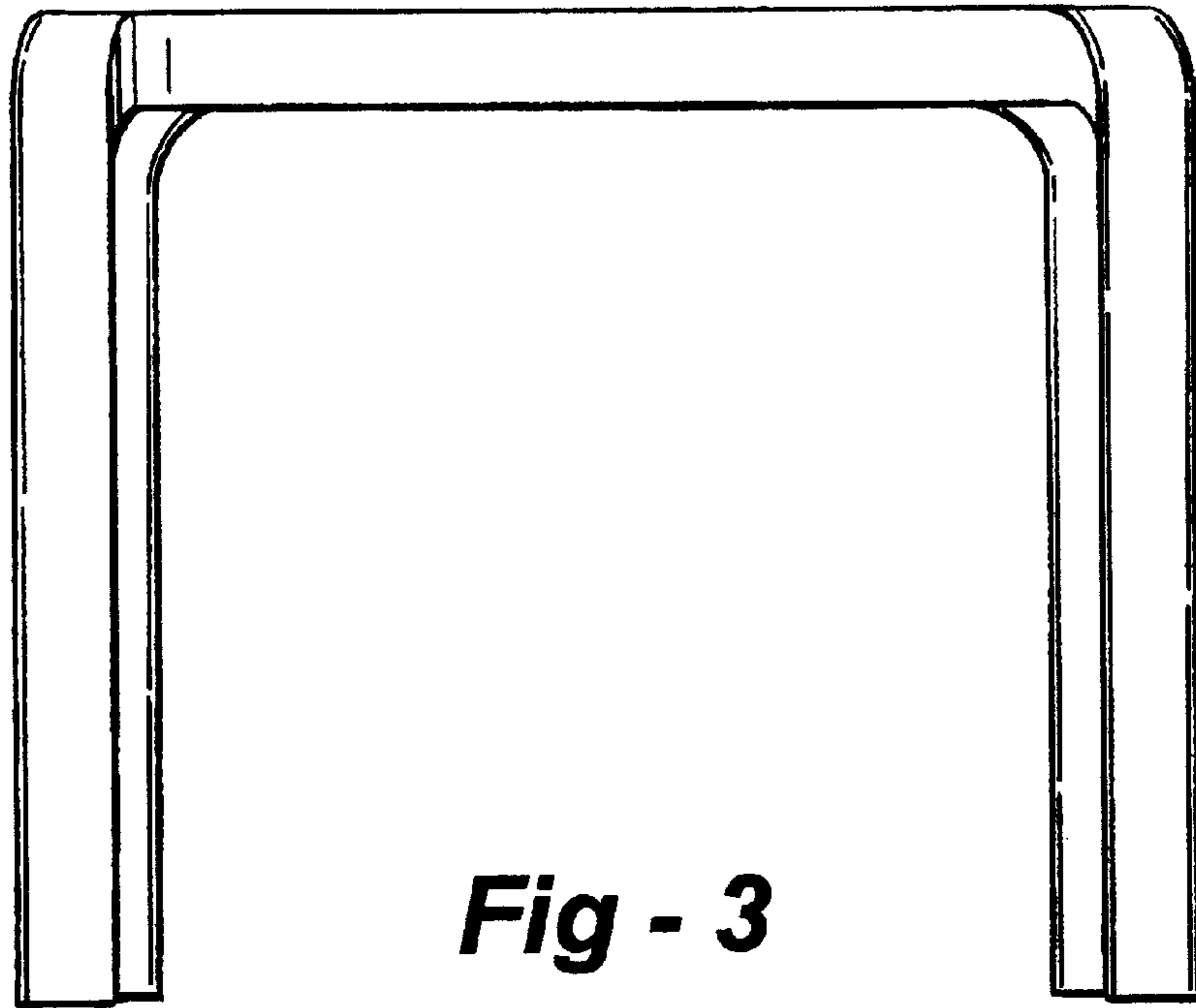


Fig - 3

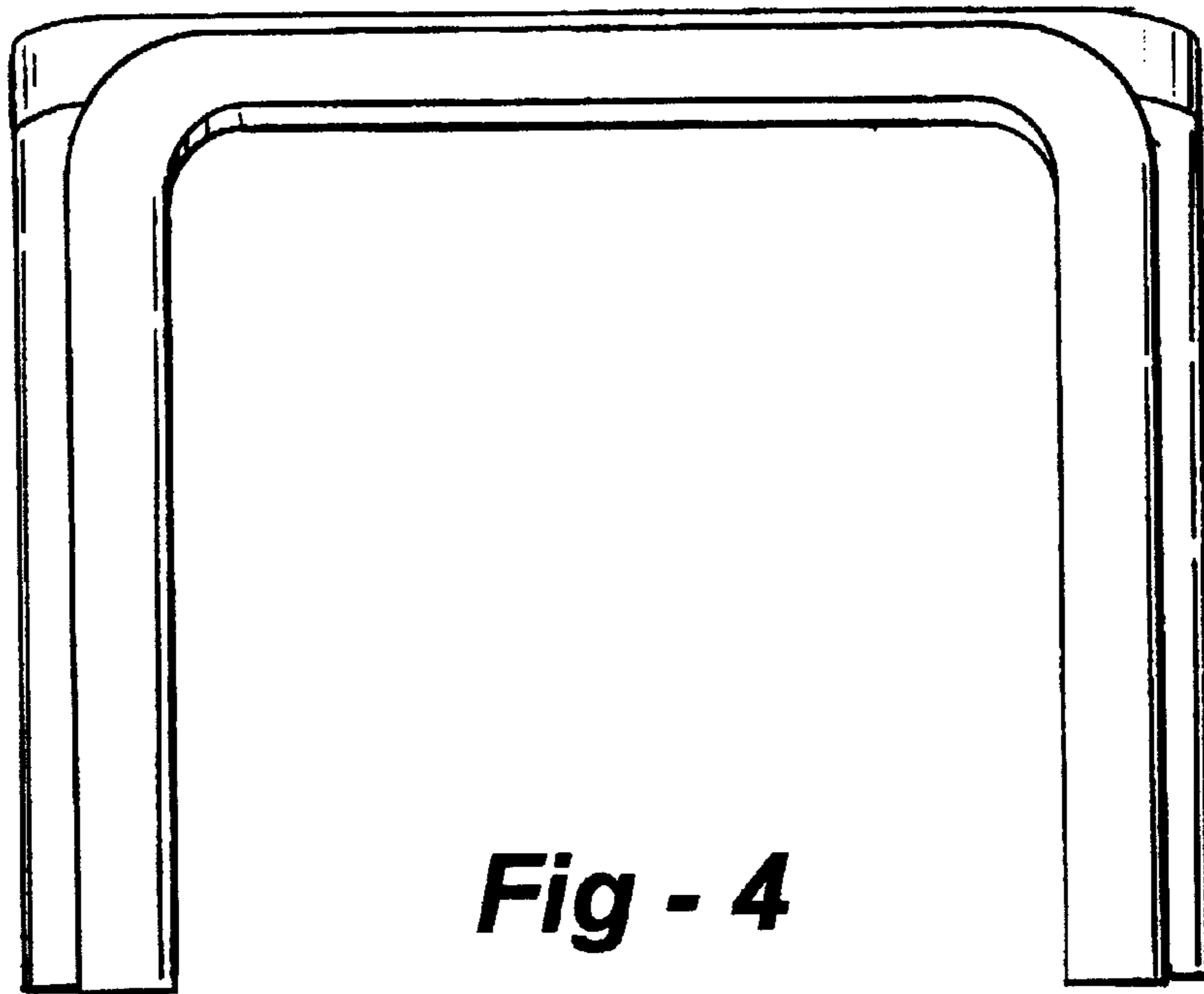


Fig - 4

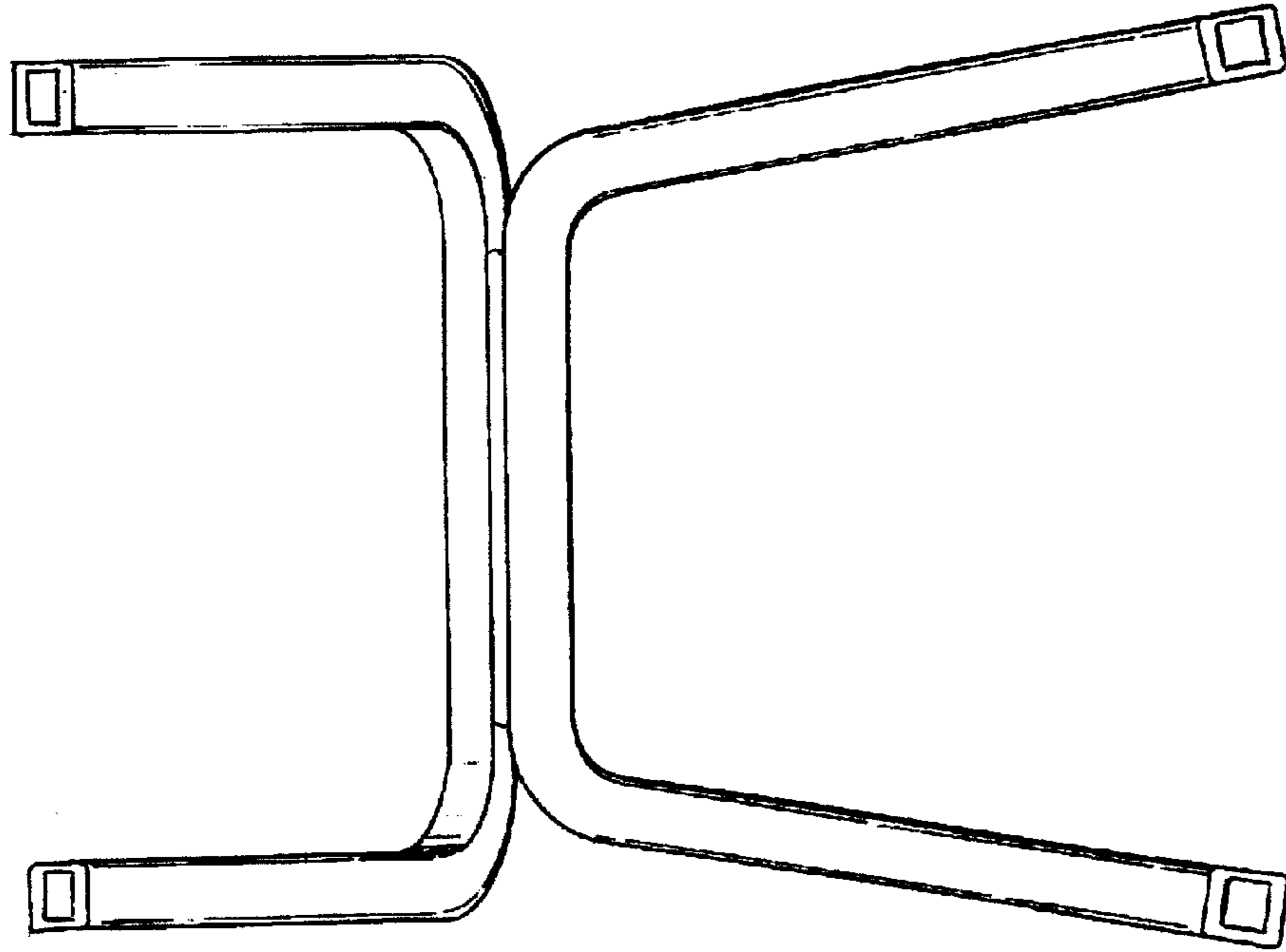


Fig - 6

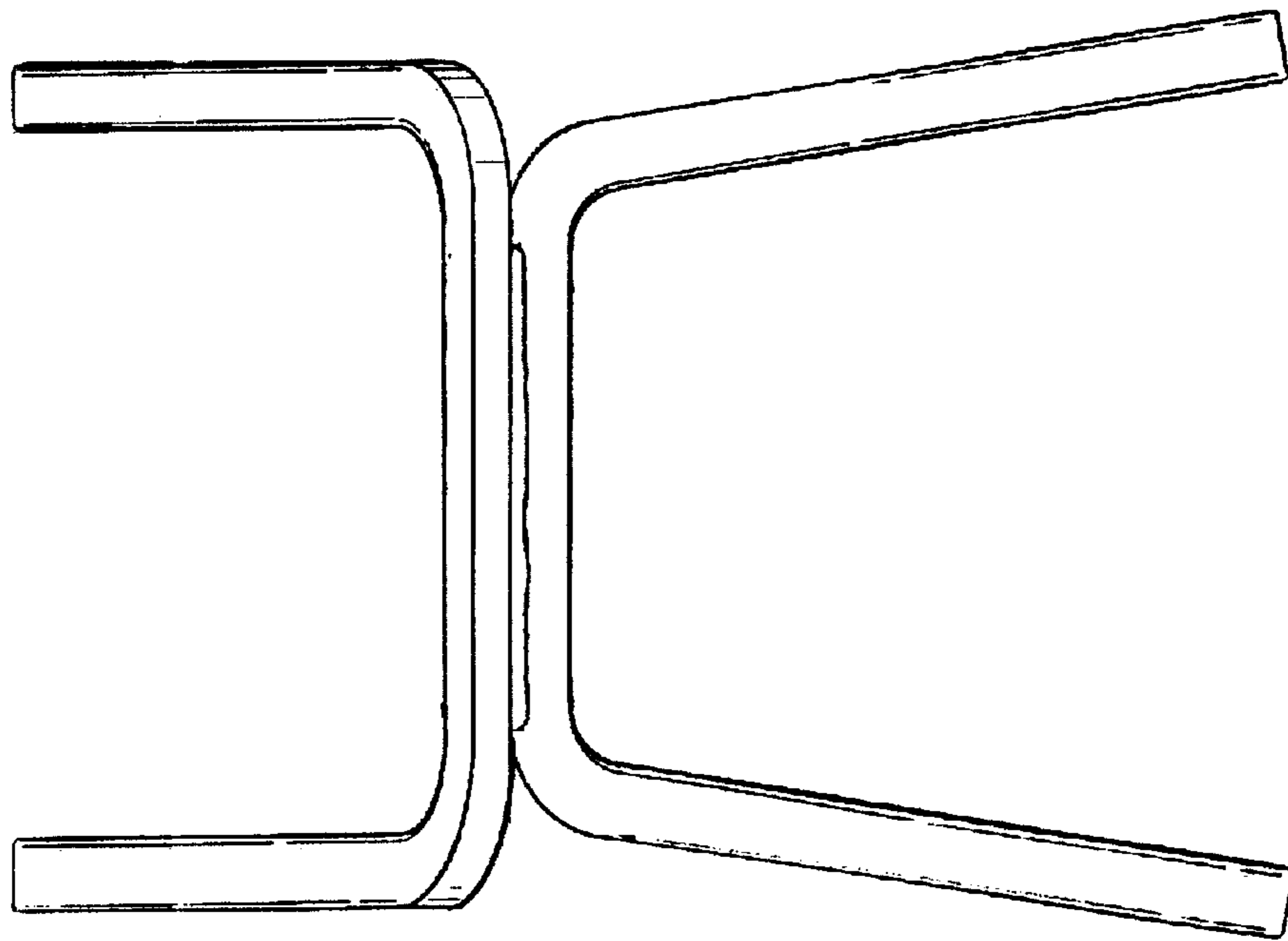


Fig - 5