



US00D470314S

(12) **United States Design Patent**
Christianson

(10) **Patent No.: US D470,314 S**

(45) **Date of Patent: ** *Feb. 18, 2003**

(54) **ION EMITTING GROOMING DEVICE**

FOREIGN PATENT DOCUMENTS

(75) Inventor: **Tristan M. Christianson**, San Francisco, CA (US)

DE 1657293 * 5/1975

* cited by examiner

(73) Assignee: **Sharper Image Corporation**, San Francisco, CA (US)

Primary Examiner—Alan P. Douglas

Assistant Examiner—Lavone D. Tabor

(*) Notice: This patent is subject to a terminal disclaimer.

(74) *Attorney, Agent, or Firm*—Fliesler Dubb Meyer & Lovejoy LLP

(**) Term: **14 Years**

(57) **CLAIM**

The ornamental design for an ion emitting grooming device, as shown and described.

(21) Appl. No.: **29/108,045**

DESCRIPTION

(22) Filed: **Jul. 19, 1999**

(51) **LOC (7) Cl.** **04-02**

FIG. 1 is a top perspective view of an ion emitting grooming device, showing my new design;

(52) **U.S. Cl.** **D4/138**

FIG. 2 is a bottom perspective view thereof;

(58) **Field of Search** D4/100, 132, 134, D4/137, 138; 15/143.1, 159.1, 160, 186-188, 104.002, 208, 1.51, 1.52, 104.001; 601/136-138

FIG. 3 is a side elevation view of one side thereof;

FIG. 4 is a side elevation view of the other side thereof;

FIG. 5 is an end elevation from the handle of the invention;

FIG. 6 is an end elevation from the head thereof;

FIG. 7 is a top plan view thereof; and,

FIG. 8 is a bottom plan view thereof.

The broken lines are for illustrative purposes only and form no part of the claimed design.

(56) **References Cited**

U.S. PATENT DOCUMENTS

- 4,797,966 A * 1/1989 Fong 15/186
- D313,509 S * 1/1991 Ueda D4/137
- D409,388 S * 5/1999 Pinchuk D4/136
- D417,551 S * 12/1999 Pinchuk D4/136

1 Claim, 4 Drawing Sheets

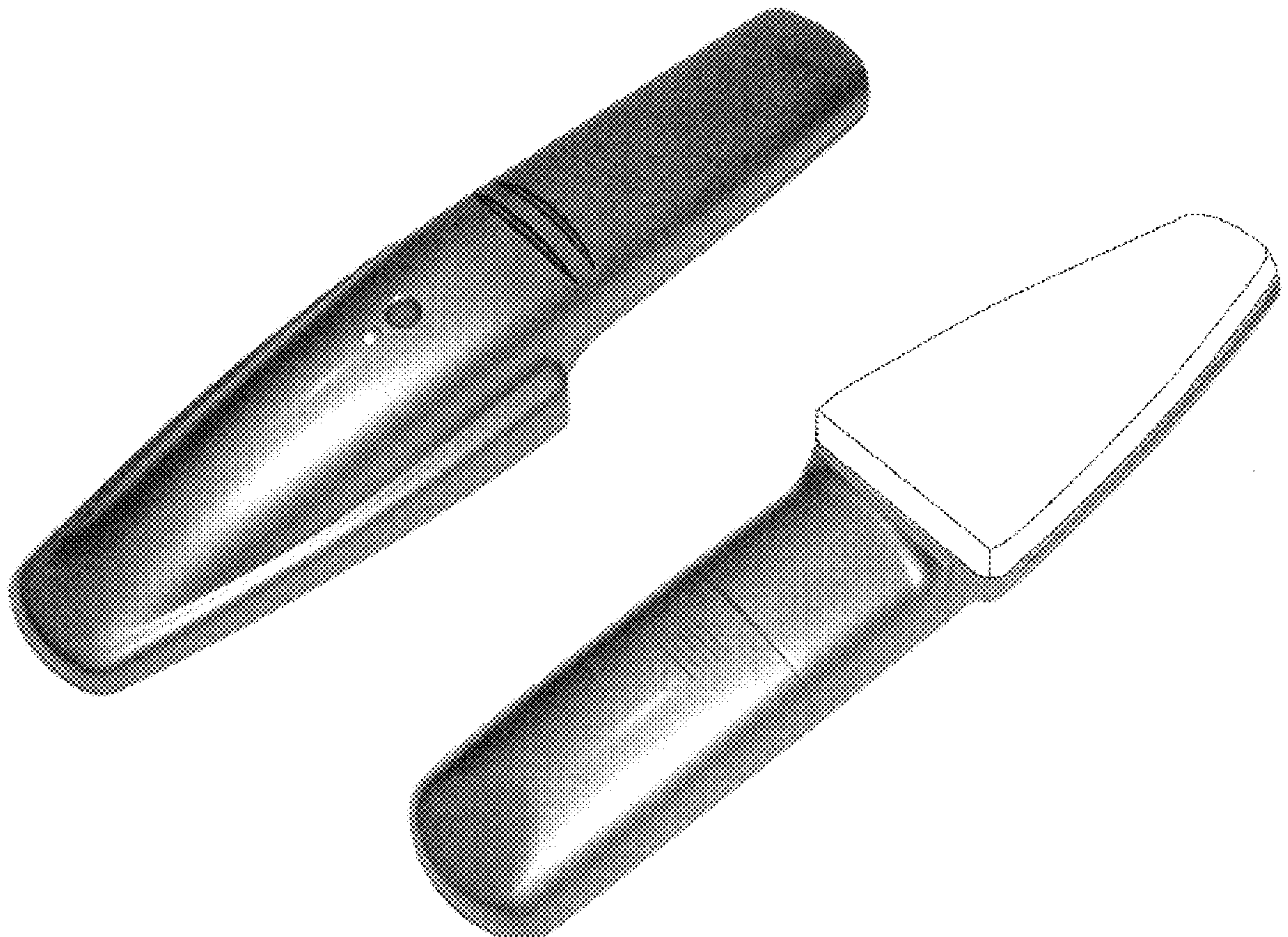
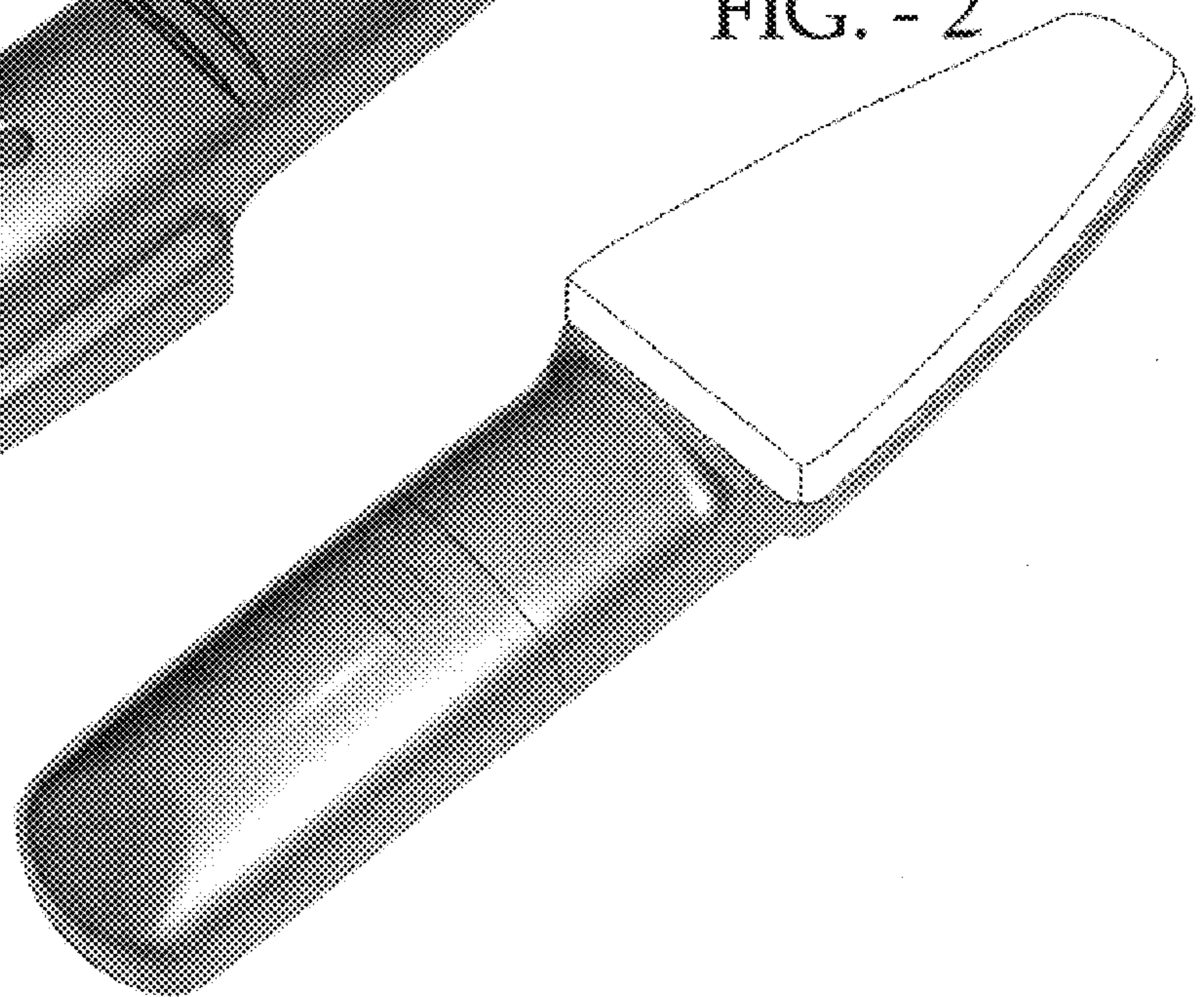


FIG. - 1



FIG. - 2



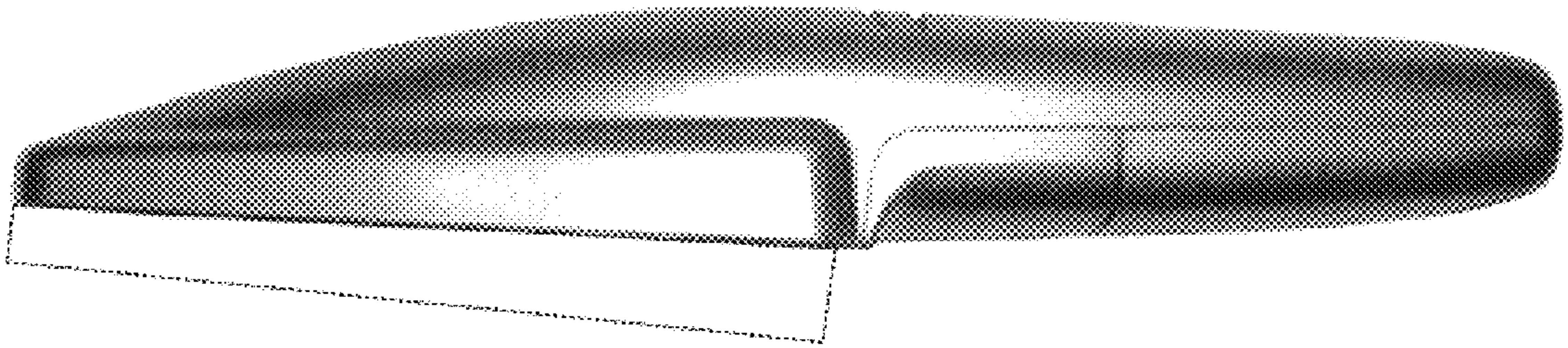


FIG. - 3

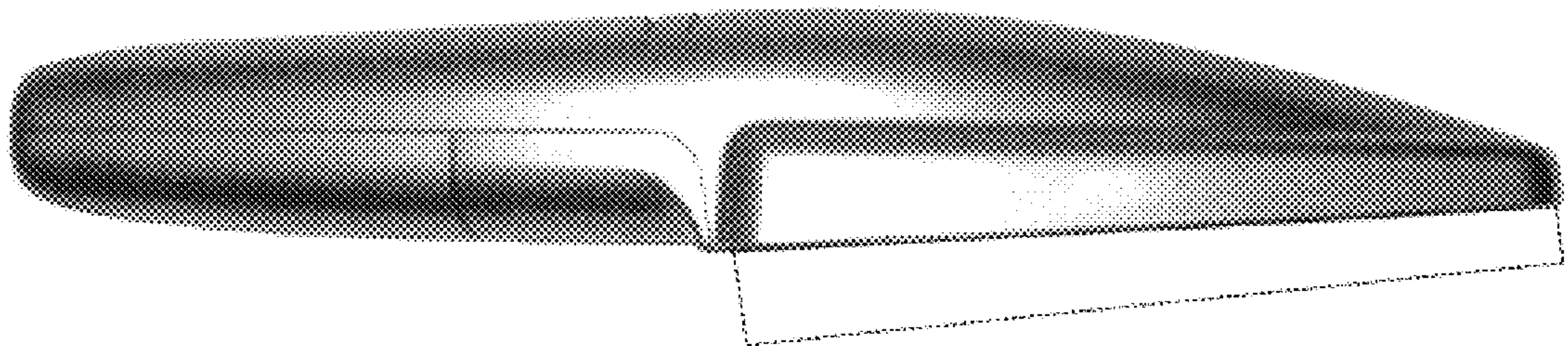


FIG. - 4

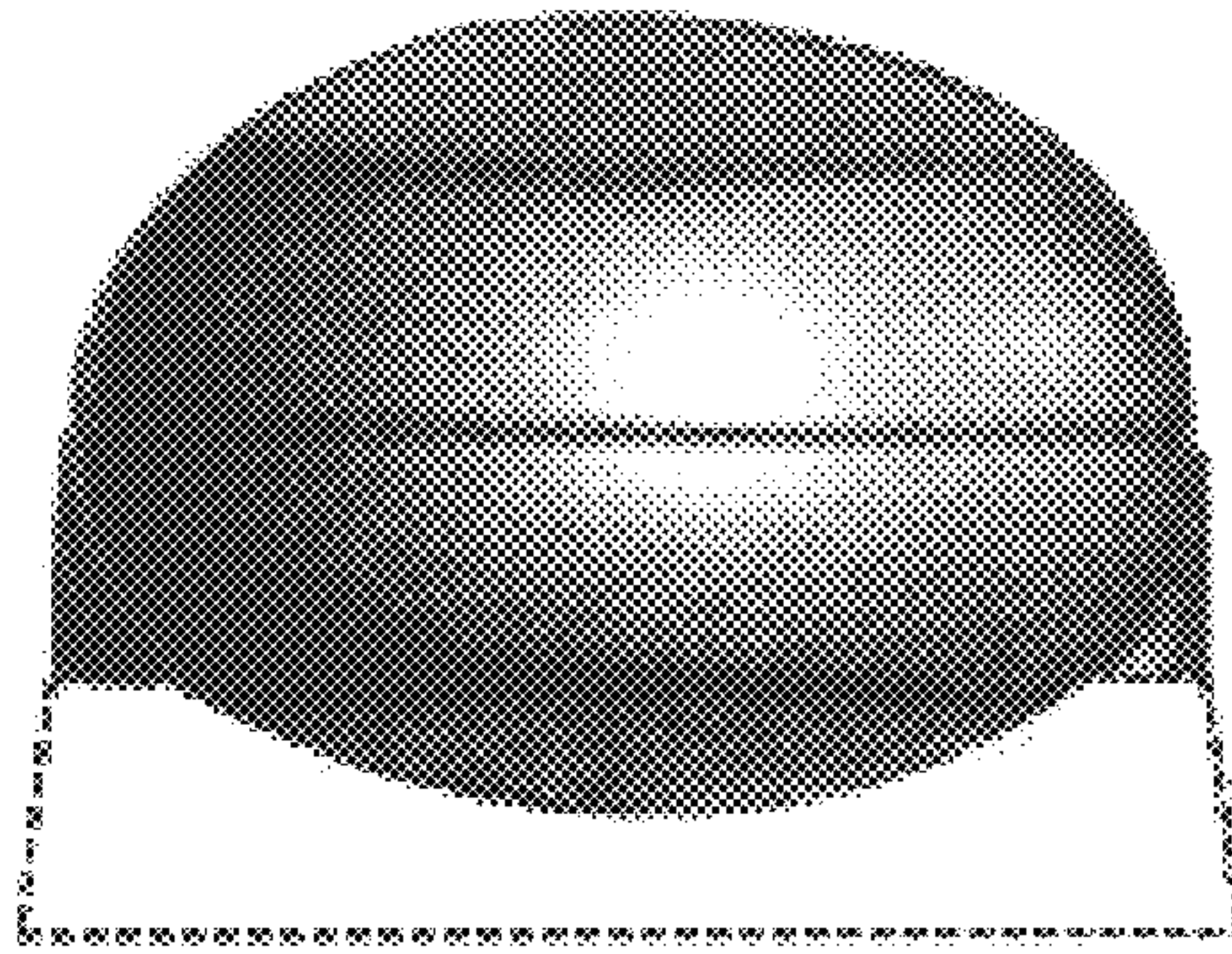


FIG. - 5

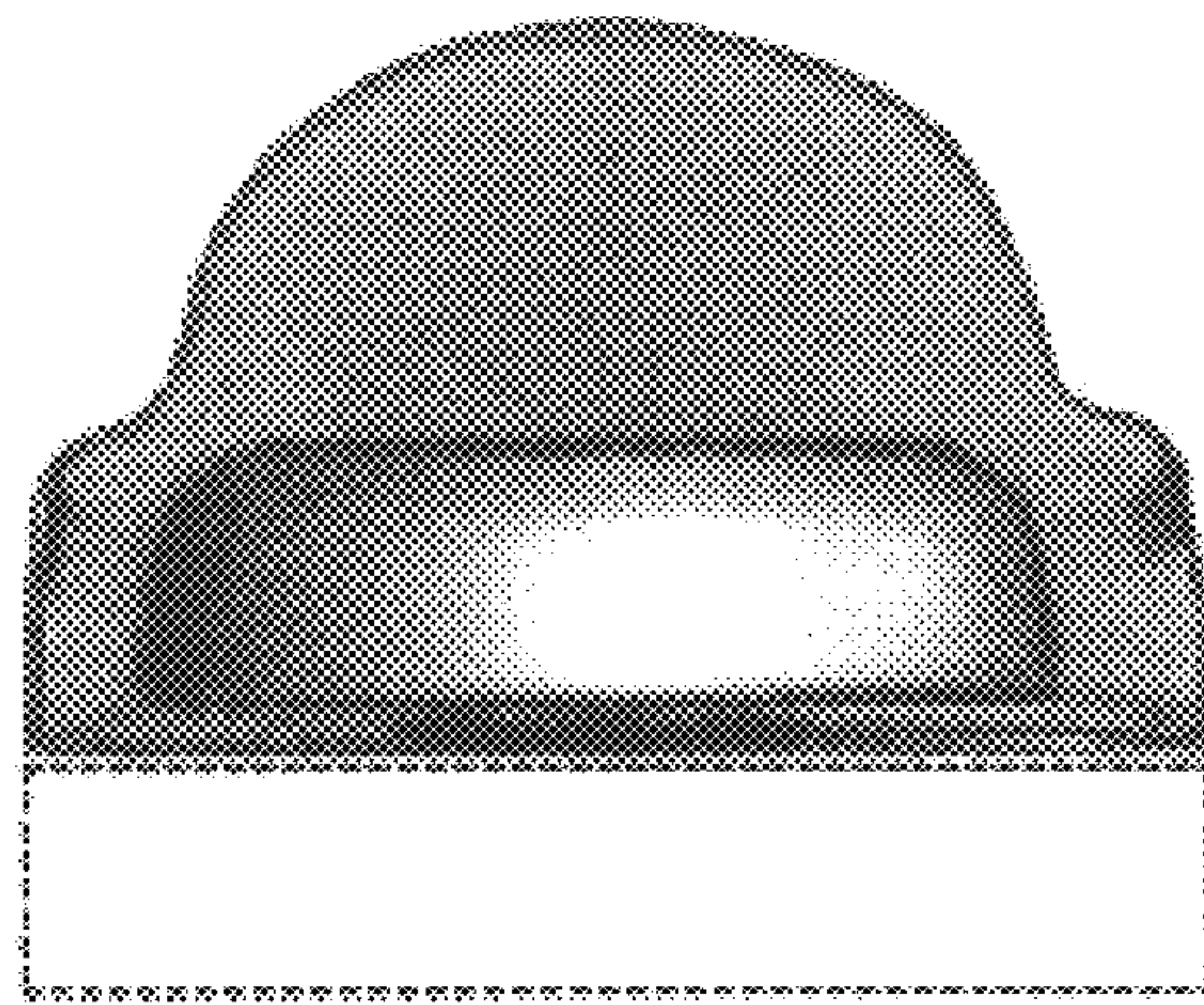


FIG. - 6

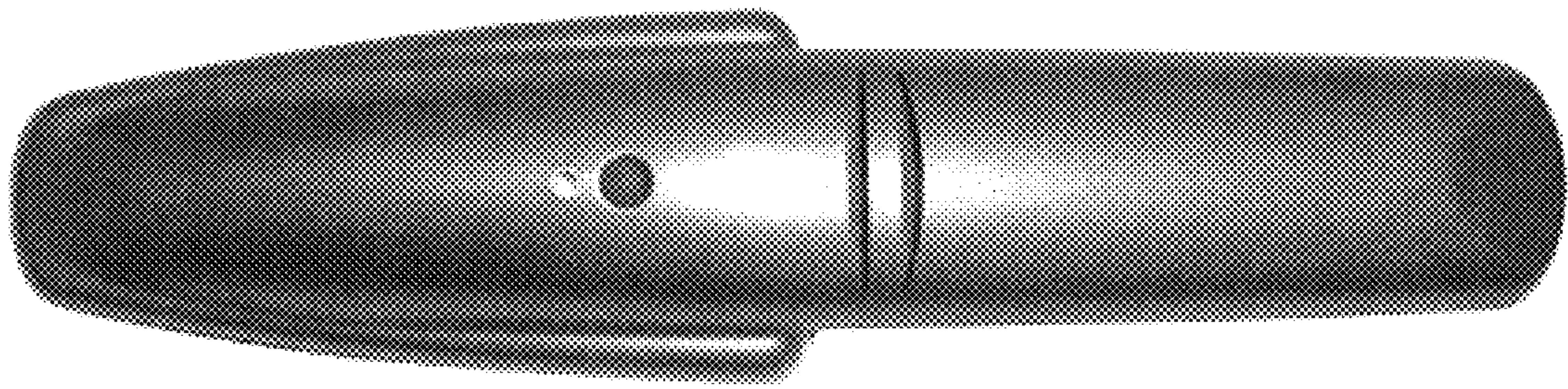


FIG. - 7

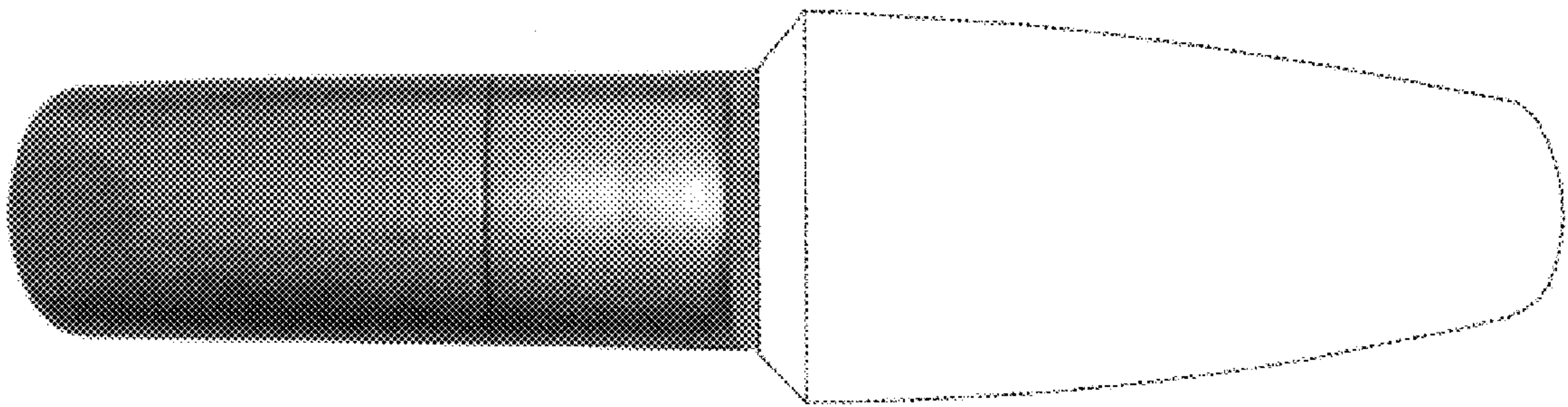


FIG. - 8