



US00D470310S

(12) **United States Design Patent**
Walley et al.

(10) **Patent No.:** **US D470,310 S**

(45) **Date of Patent:** **** Feb. 18, 2003**

(54) **NEOPRENE WATER/DRINKS BOTTLE COVER**

(76) **Inventors:** **David Walley**, 326 Kensal Road, London (GB), W10 5BZ; **James Davis**, 326 Kensal Road, London (GB), W10 5BZ

(**) **Term:** **14 Years**

(21) **Appl. No.:** **29/154,847**

(22) **Filed:** **Feb. 1, 2002**

(51) **LOC (7) Cl.** **03-01**

(52) **U.S. Cl.** **D3/229**; D7/607; D7/624

(58) **Field of Search** D3/229, 202, 215, D3/226; D7/606, 607, 608, 619, 620, 623, 624; 224/148.2-148.6; 428/36.1; 383/66; 215/386, 395

(56) **References Cited**

U.S. PATENT DOCUMENTS

2,376,194 A * 5/1945 Samuels 383/66

D247,392 S * 2/1978 Coleman D7/607
4,871,597 A * 10/1989 Hobson 428/36.1
5,915,580 A * 6/1999 Melk 215/386
D417,369 S * 12/1999 Rausch D7/624
6,019,245 A * 2/2000 Foster et al. 215/395 X

* cited by examiner

Primary Examiner—Catherine R. Oliver

(57) **CLAIM**

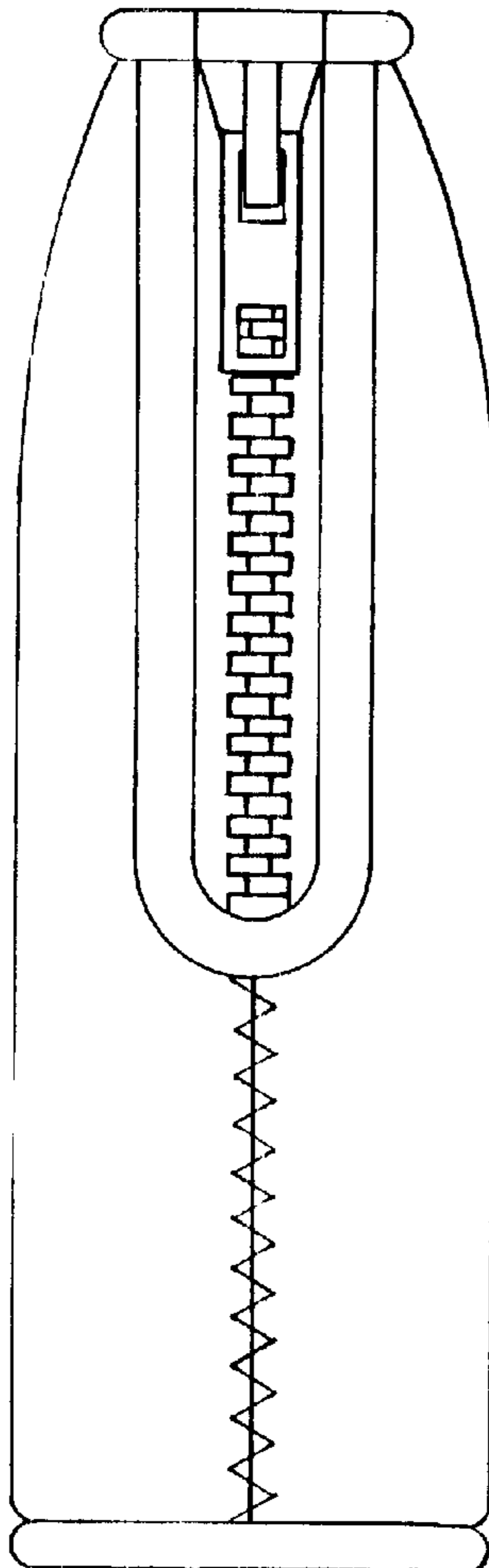
The ornamental design for a neoprene water/drinks bottle cover, as shown and described.

DESCRIPTION

FIG. 1 is a front elevation view of the neoprene water/drinks bottle cover showing our new design; FIG. 2 is a rear elevation view thereof; FIG. 3 is a side view thereof; and, FIG. 4 is a top plan view.

The features of the design are the large zipper fastener, the edge trim detail, the close fitting of the neoprene cover, the rear belt loop and the seam details at front and rear.

1 Claim, 1 Drawing Sheet



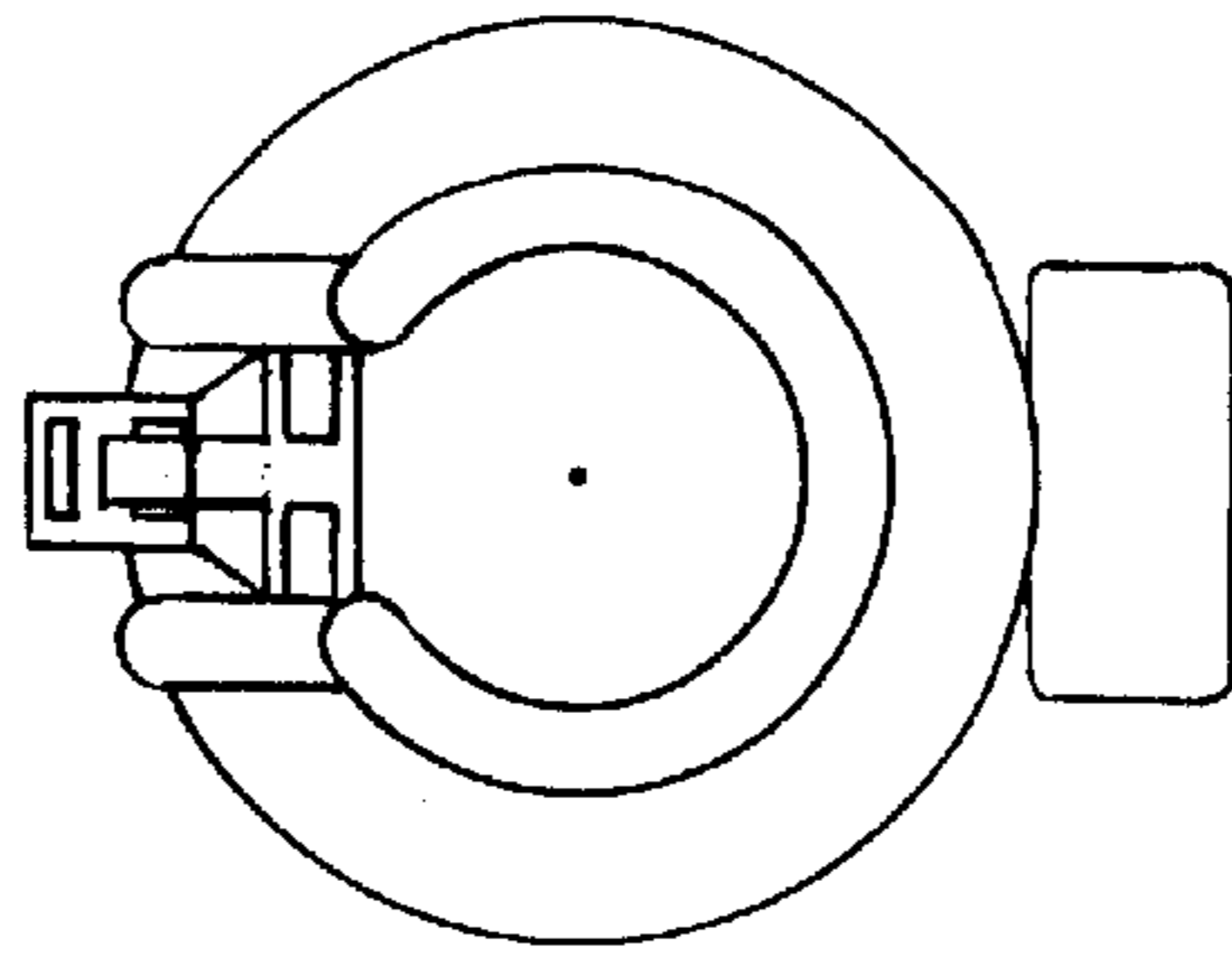


FIG. 4

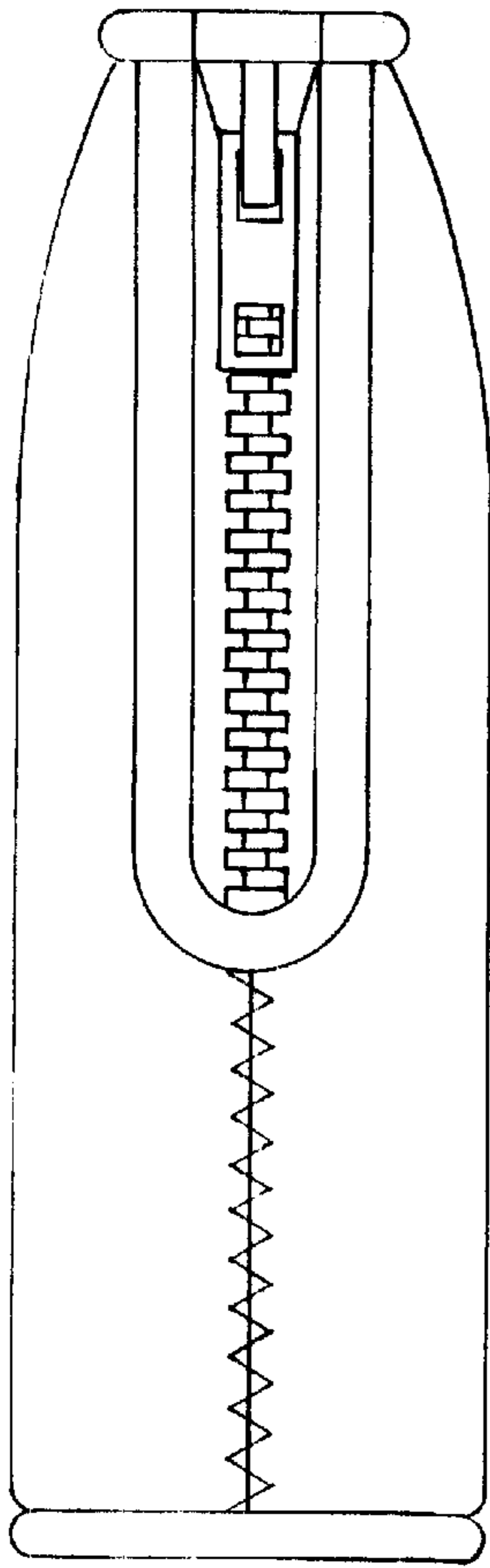


FIG. 1

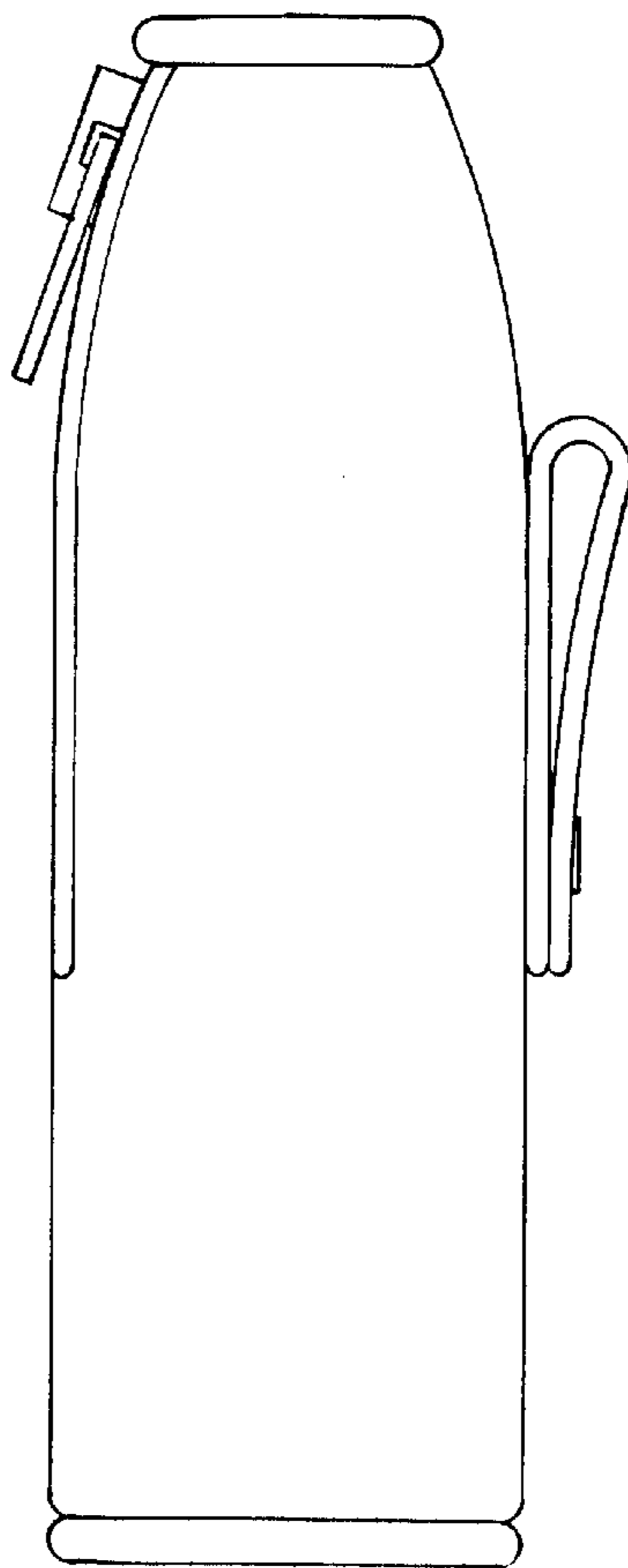


FIG. 3

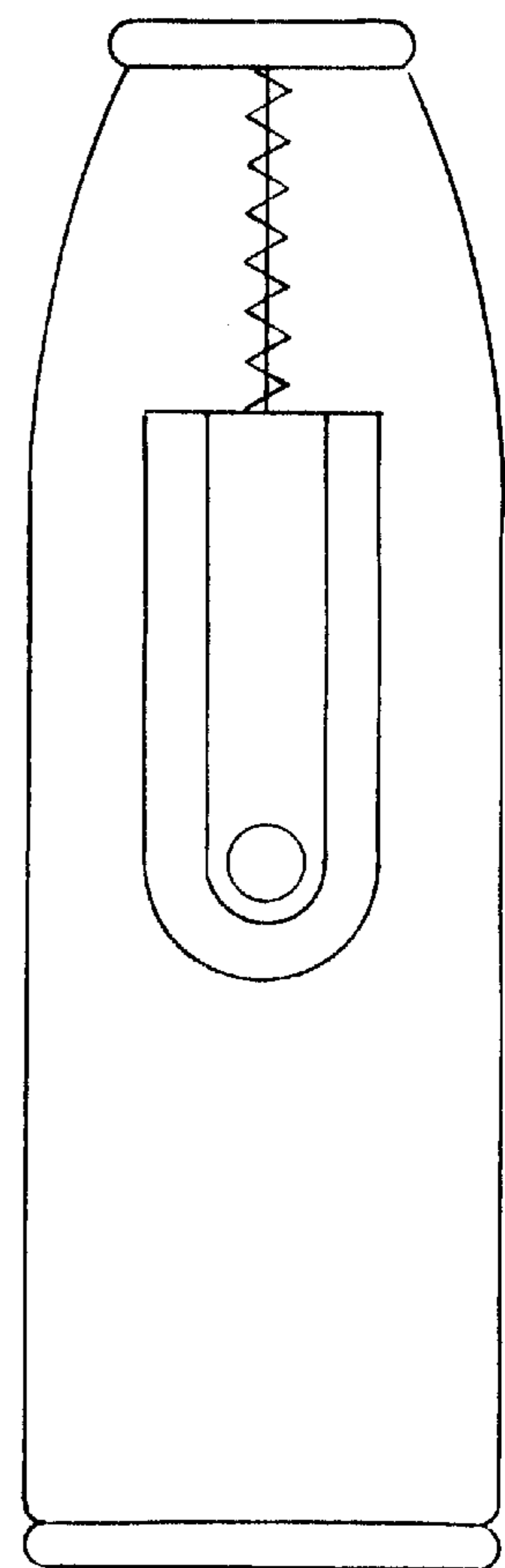


FIG. 2