



US00D470309S

(12) **United States Design Patent**
Armstrong

(10) **Patent No.:** **US D470,309 S**

(45) **Date of Patent:** **** Feb. 18, 2003**

(54) **BELT HOOK**

(76) Inventor: **William Edward Armstrong**, 41 Felt Crescent, Barrie, Ontario (CA), L4N 8V1

(**) Term: **14 Years**

(21) Appl. No.: **29/157,249**

(22) Filed: **Mar. 18, 2002**

(51) **LOC (7) Cl.** **03-01**

(52) **U.S. Cl.** **D3/228**

(58) **Field of Search** D3/228, 215, 221, D3/226, 224; 224/901, 904, 240, 245, 268, 674, 671-673, 253, 666; D8/393; 24/3.6, 3.11, 3.12

(56) **References Cited**

U.S. PATENT DOCUMENTS

2,441,115 A	5/1948	Lambert	224/5
2,775,804 A	1/1957	Ayoub	24/3
2,856,111 A	10/1958	Wolfe et al.	224/5
2,985,349 A	5/1961	McGuire	224/268
3,515,363 A	6/1970	Fisher	248/71
D221,123 S	* 7/1971	Nicholas	D3/228
4,113,156 A	9/1978	Brito	224/5
4,325,503 A	4/1982	Swinney	224/148
4,403,717 A	9/1983	Glover	224/252
4,433,801 A	2/1984	Swinney	224/148

4,527,720 A	7/1985	Hayes	224/148
4,757,927 A	* 7/1988	Rutty	224/253
4,790,461 A	* 12/1988	Stover	224/241
D329,748 S	* 9/1992	Ehlin	D3/228
5,511,336 A	4/1996	Bishop	43/21.2
D373,243 S	9/1996	Tovey et al.	D3/228
5,687,892 A	* 11/1997	Johns	224/268
D399,055 S	* 10/1998	Coady	D3/228
6,145,717 A	11/2000	Rebeck	224/268
D452,610 S	* 1/2002	Schwartzmiller	D3/228
D453,069 S	* 1/2002	Smith	D3/228

* cited by examiner

Primary Examiner—Catherine R. Oliver

(74) *Attorney, Agent, or Firm*—Dimock Stratton Clarizio; Mark B. Eisen

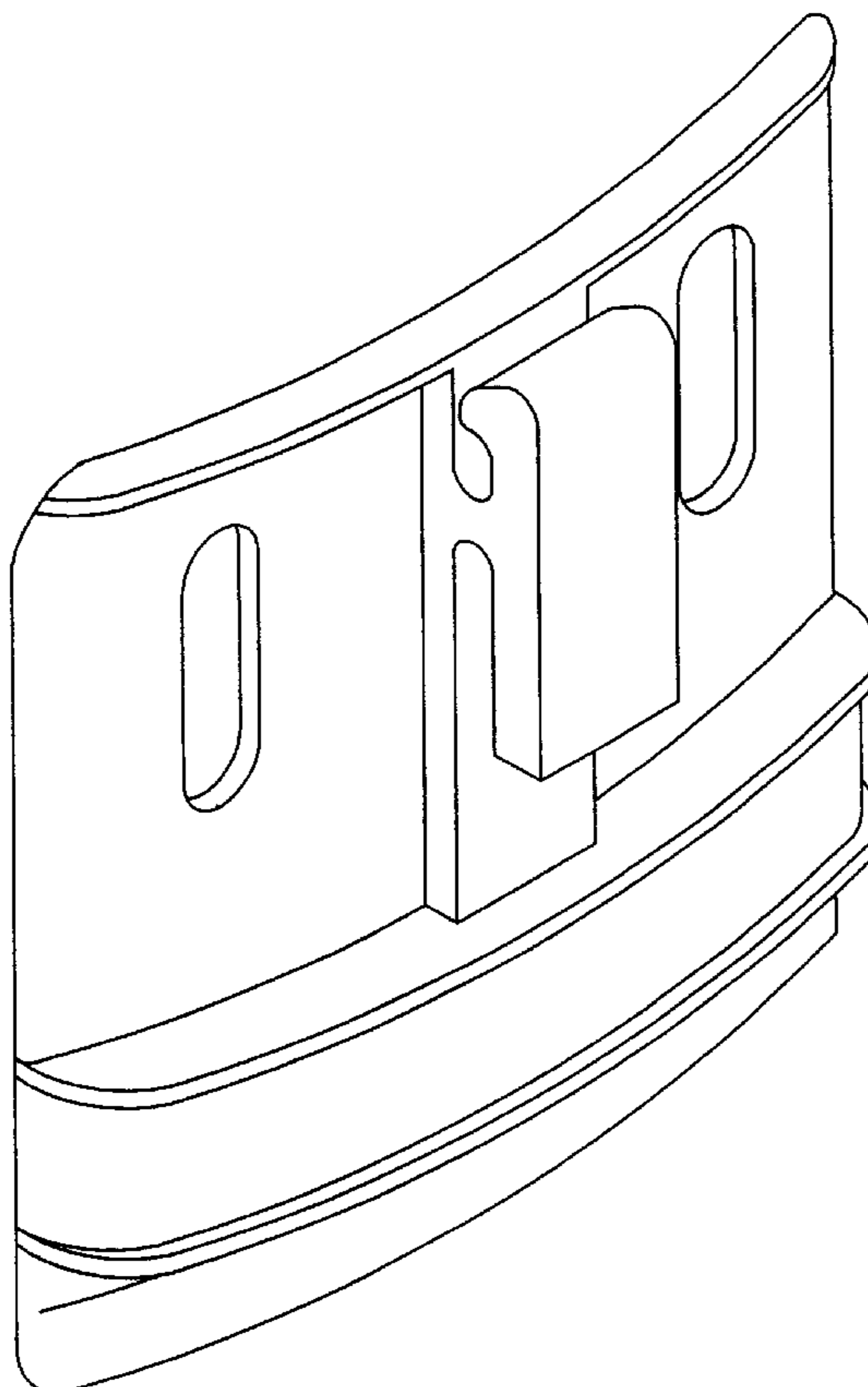
(57) **CLAIM**

The ornamental design for a belt hook, as shown and described.

DESCRIPTION

FIG. 1 is a perspective view of the belt hook.
FIG. 2 is a front elevational view of the belt hook of FIG. 1.
FIG. 3 is a rear elevational view of the belt hook of FIG. 1.
FIG. 4 is a top plan view of the belt hook of FIG. 1.
FIG. 5 is a bottom plan view of the belt hook of FIG. 1; and,
FIG. 6 is a side elevational view of the belt hook of FIG. 1, the opposite side being a mirror image thereof.

1 Claim, 3 Drawing Sheets



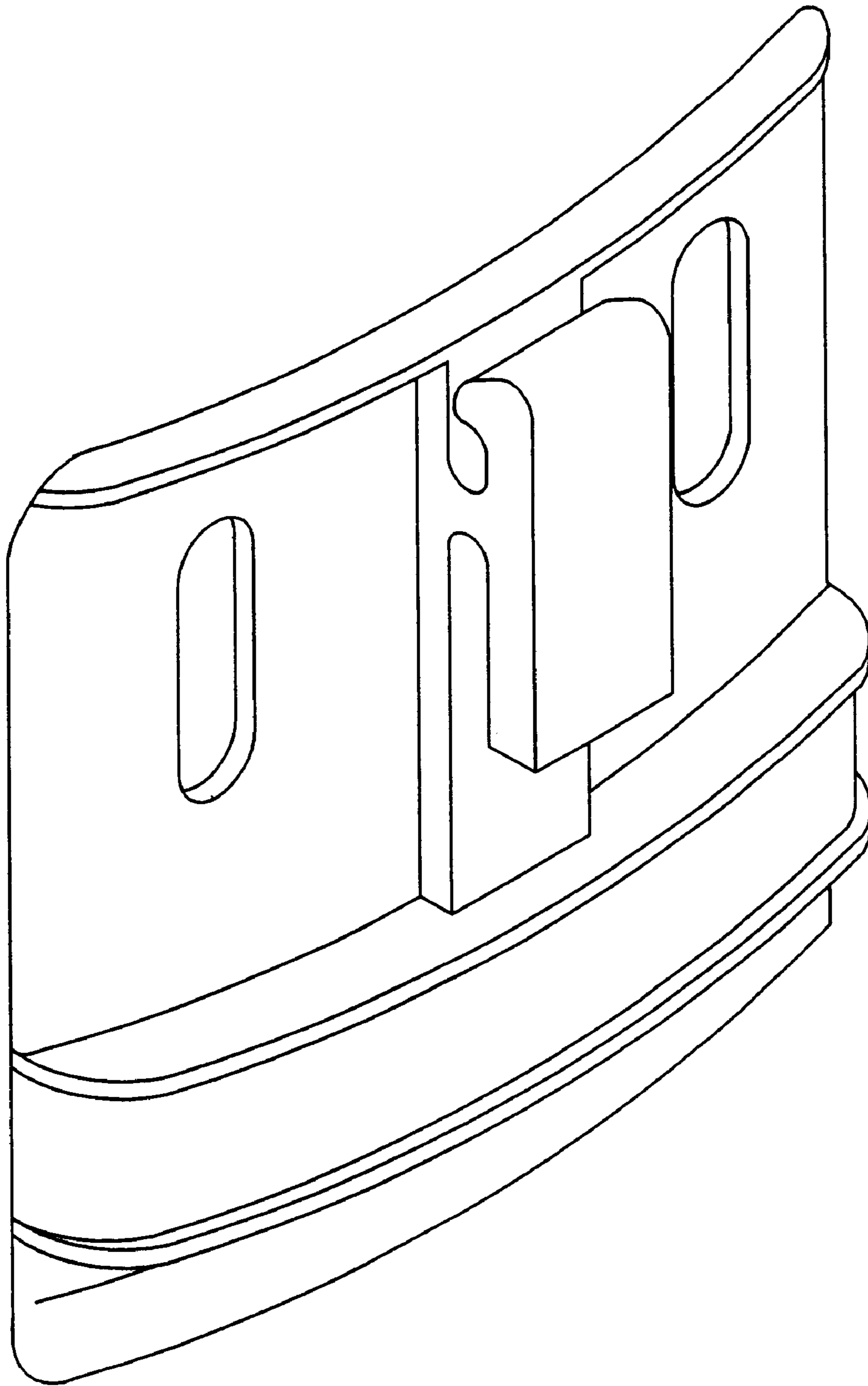


FIGURE 1

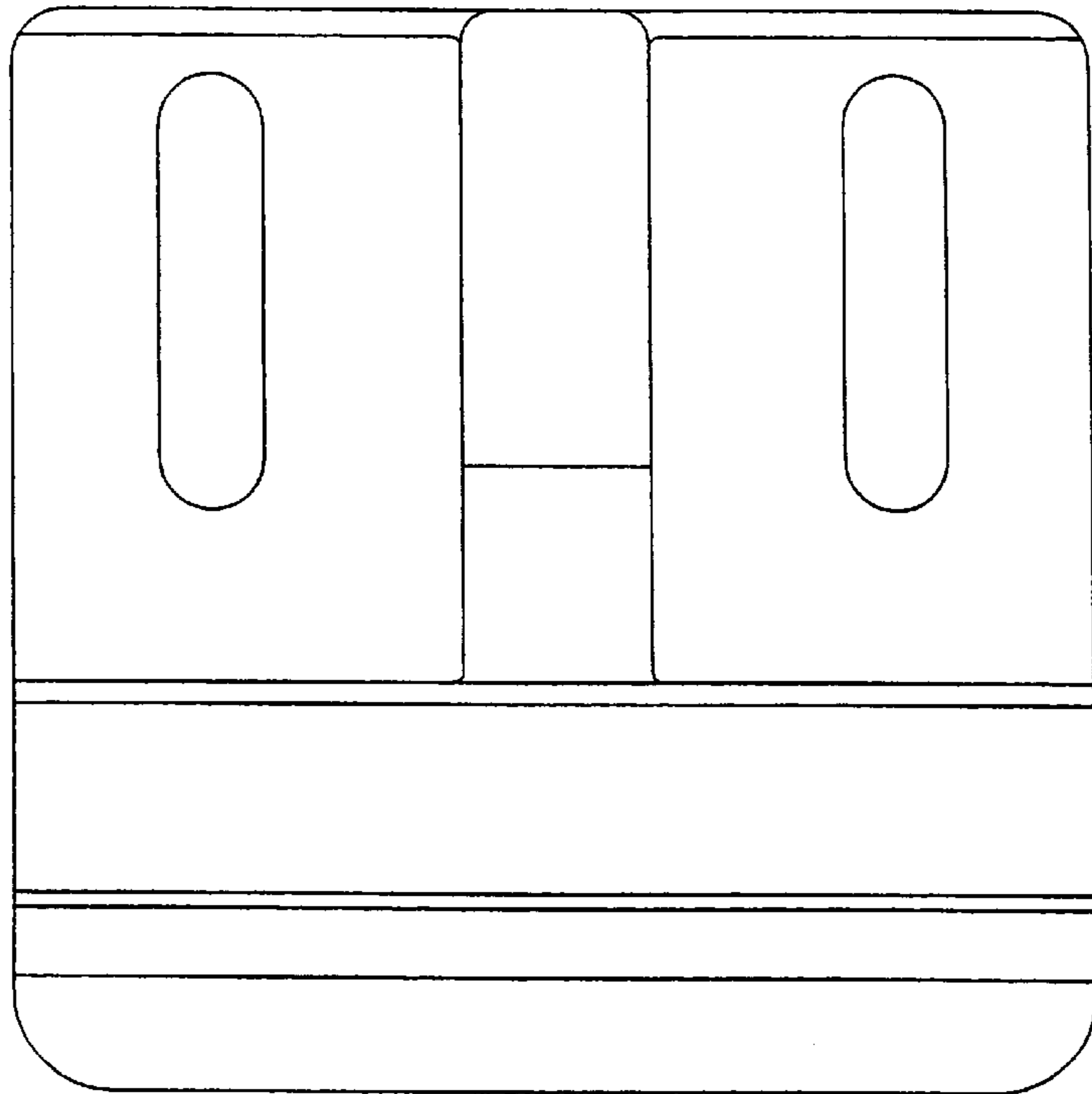


FIGURE 2

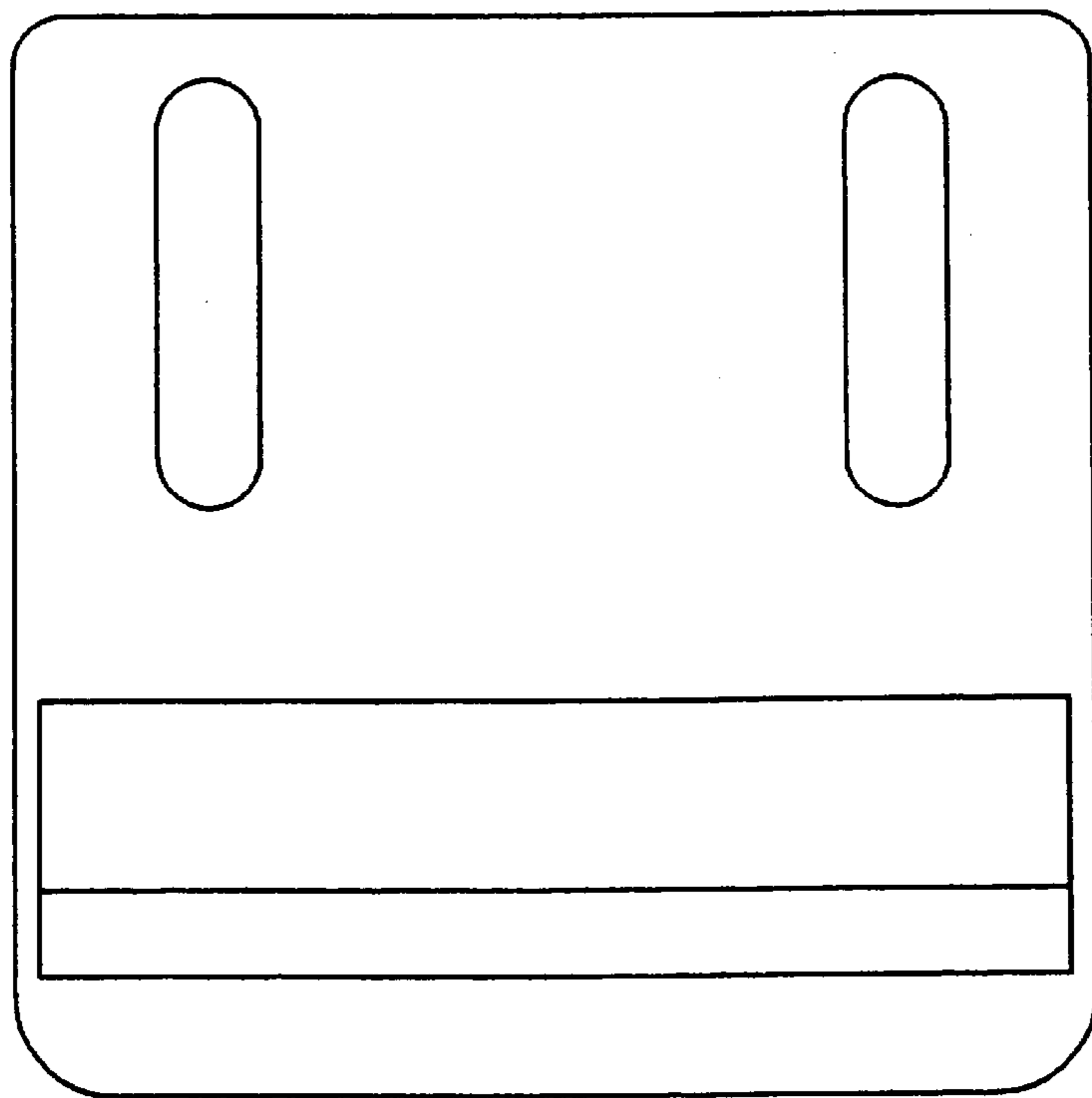


FIGURE 3

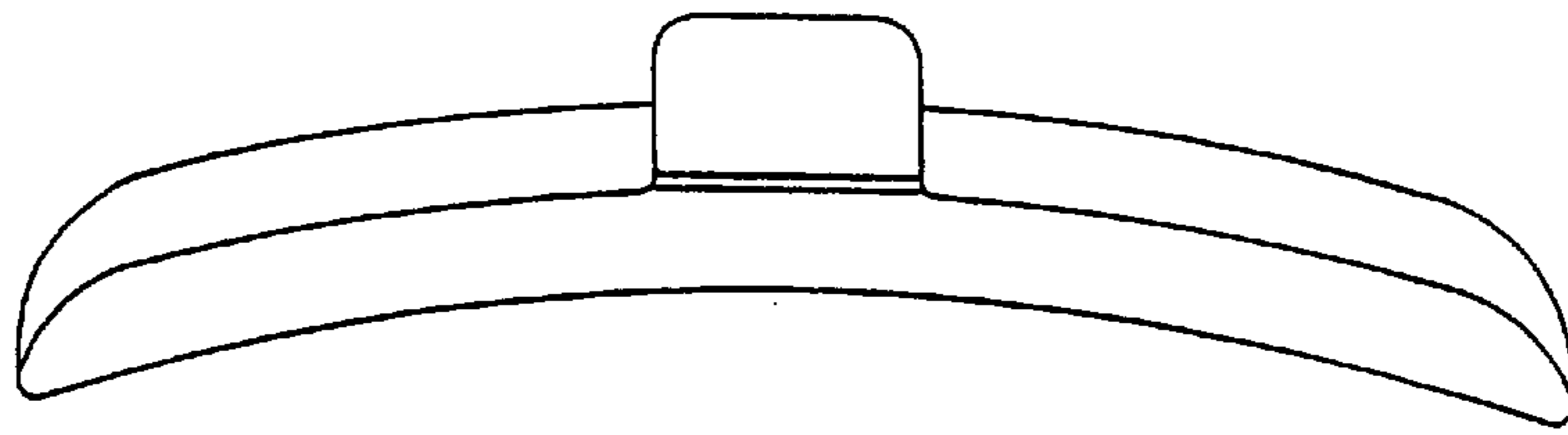


FIGURE 4

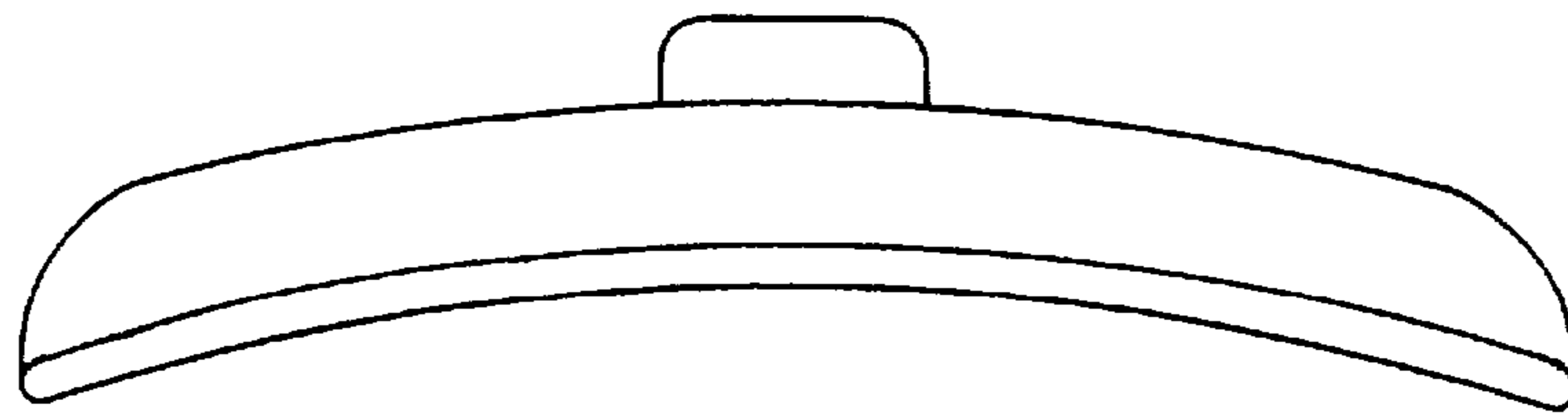


FIGURE 5

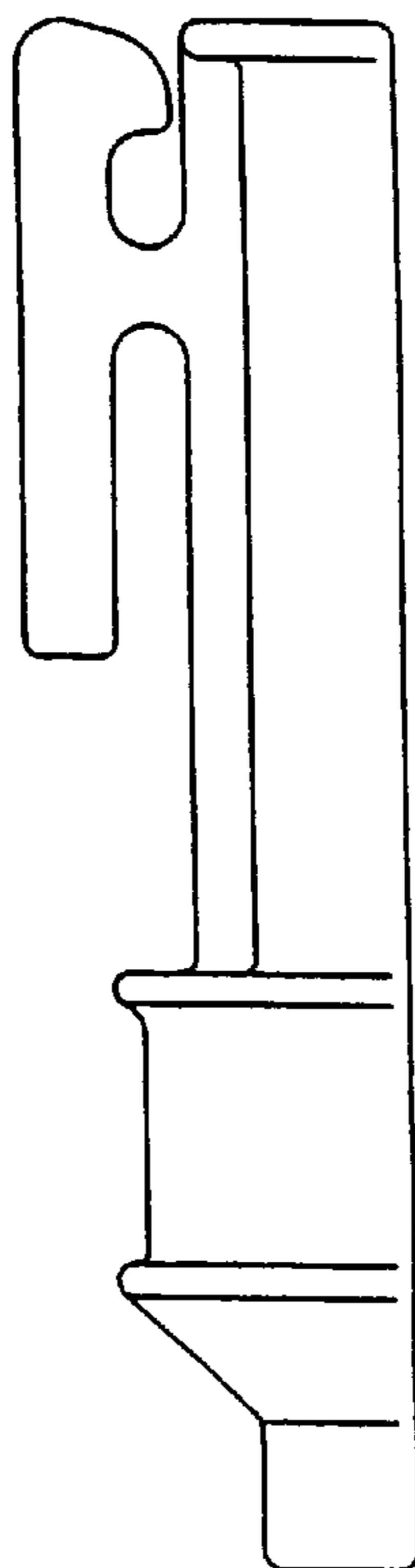


FIGURE 6