



US00D470306S

(12) **United States Design Patent** (10) **Patent No.:** **US D470,306 S**  
**Halpern et al.** (45) **Date of Patent:** **\*\* Feb. 18, 2003**

(54) **FOLDING BRUSH CASE**

(76) Inventors: **Marcia Halpern**, 142 Lost Bridge Dr.,  
Palm Beach Gardens, FL (US) 33410;  
**Bernard Matos**, 142 Lost Bridge Dr.,  
Palm Beach Gardens, FL (US) 33410

(\*\*) Term: **14 Years**

(21) Appl. No.: **29/146,495**

(22) Filed: **Aug. 13, 2001**

(51) **LOC (7) Cl.** ..... **03-01**

(52) **U.S. Cl.** ..... **D3/205**

(58) **Field of Search** ..... D3/205; D4/116,  
D4/118; D32/47; 15/114, 161, 169, 185,  
203; 132/121, 123; 206/361

(56) **References Cited**

**U.S. PATENT DOCUMENTS**

129,564 A \* 7/1872 Hovey ..... 15/185  
564,739 A \* 7/1896 De Lent ..... 15/185

(List continued on next page.)

*Primary Examiner*—Louis S. Zarfes

*Assistant Examiner*—Monica A. Weingart

(74) *Attorney, Agent, or Firm*—Tom Hamill, Jr.

(57) **CLAIM**

We claim the ornamental design for the folding brush case,  
as shown and described in the figures and specification  
attached hereto.

**DESCRIPTION**

FIG. 1 is a top perspective view of the folding brush case,  
shown in the open position, without a brush therein,

FIG. 2 is a perspective view of the folding brush case, shown  
in the closed position, which is identical whether or not the  
brush is located therein,

FIG. 3 is a right side view and a left side view of the folding  
brush case, shown in the closed position, which is identical  
whether or not the brush is located therein,

FIG. 4 is a top side view for a folding brush case, shown in  
the closed position, which is identical whether or not the  
brush is located therein,

FIG. 5 is a bottom side view of the folding brush case, shown  
in the closed position, which is identical whether or not the  
brush is located therein,

FIG. 6 is a front side view of the folding brush case, shown  
in the closed position, which is identical whether or not the  
brush is located therein,

FIG. 7 is a rear side view of the folding brush case, shown  
in the closed position, which is identical whether or not the  
brush is located therein,

FIG. 8 is a bottom side view of the folding brush case, shown  
in the open position, which is identical whether or not the  
brush is located therein;

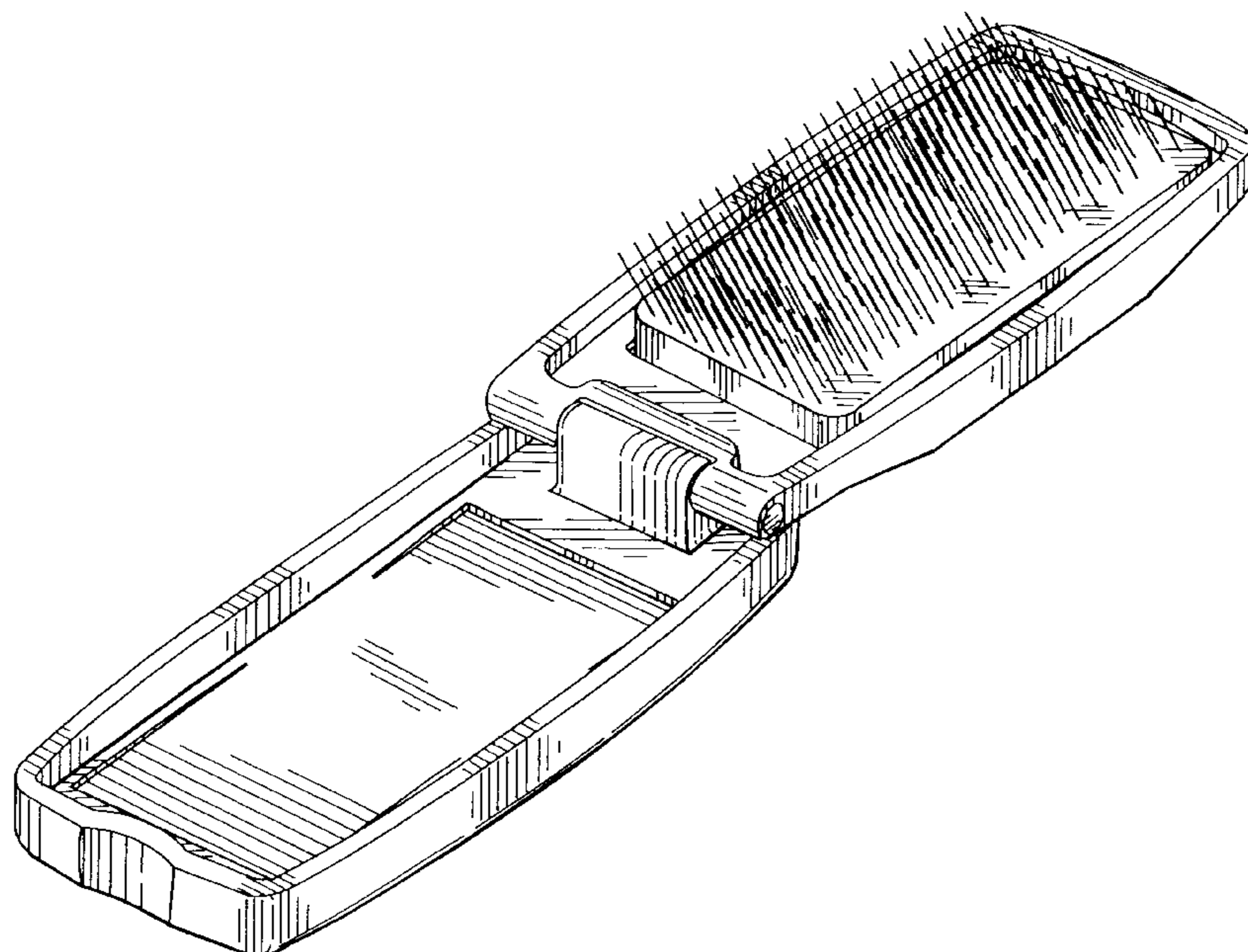
FIG. 9 is a top side view of the folding brush case, shown  
in the open position, without a brush therein,

FIG. 10 is a right side view and a left side view of the folding  
brush case, shown in the open position, without a brush  
therein,

FIG. 11 is a bottom perspective view of the folding brush  
case, which is identical whether or not the brush is located  
therein.

FIG. 12 is a top perspective view of a second embodiment,  
of the folding brush case, showing the brush therein, and,  
FIG. 13 is an environmental view of the folding brush case,  
of FIG. 12, demonstrating one of the many uses of the  
instant invention. The broken lines shown in FIG. 13 are  
illustrative purposes only and do not comprise any part of  
the claimed design.

**1 Claim, 6 Drawing Sheets**



# US D470,306 S

Page 2

---

## U.S. PATENT DOCUMENTS

1,166,296 A	*	12/1915	Wolfe .....	15/185	4,346,496 A	8/1982	Murray	
1,382,042 A		6/1921	Wright		4,987,633 A	1/1991	Heneveld	
1,592,510 A		7/1926	Toepperwein		5,185,902 A	2/1993	Fong	
1,770,344 A	*	8/1930	Schmidt .....	15/185	5,323,793 A	6/1994	Lorenzi	
2,604,649 A		7/1952	Stephenson		5,335,390 A	8/1994	Chen	
D190,558 S	*	6/1961	Henkels .....	D4/116	D363,608 S	10/1995	Lessmann	
4,023,230 A		5/1977	Friedman		5,904,150 A	* 5/1999	Caristo et al. ....	15/169 X

\* cited by examiner

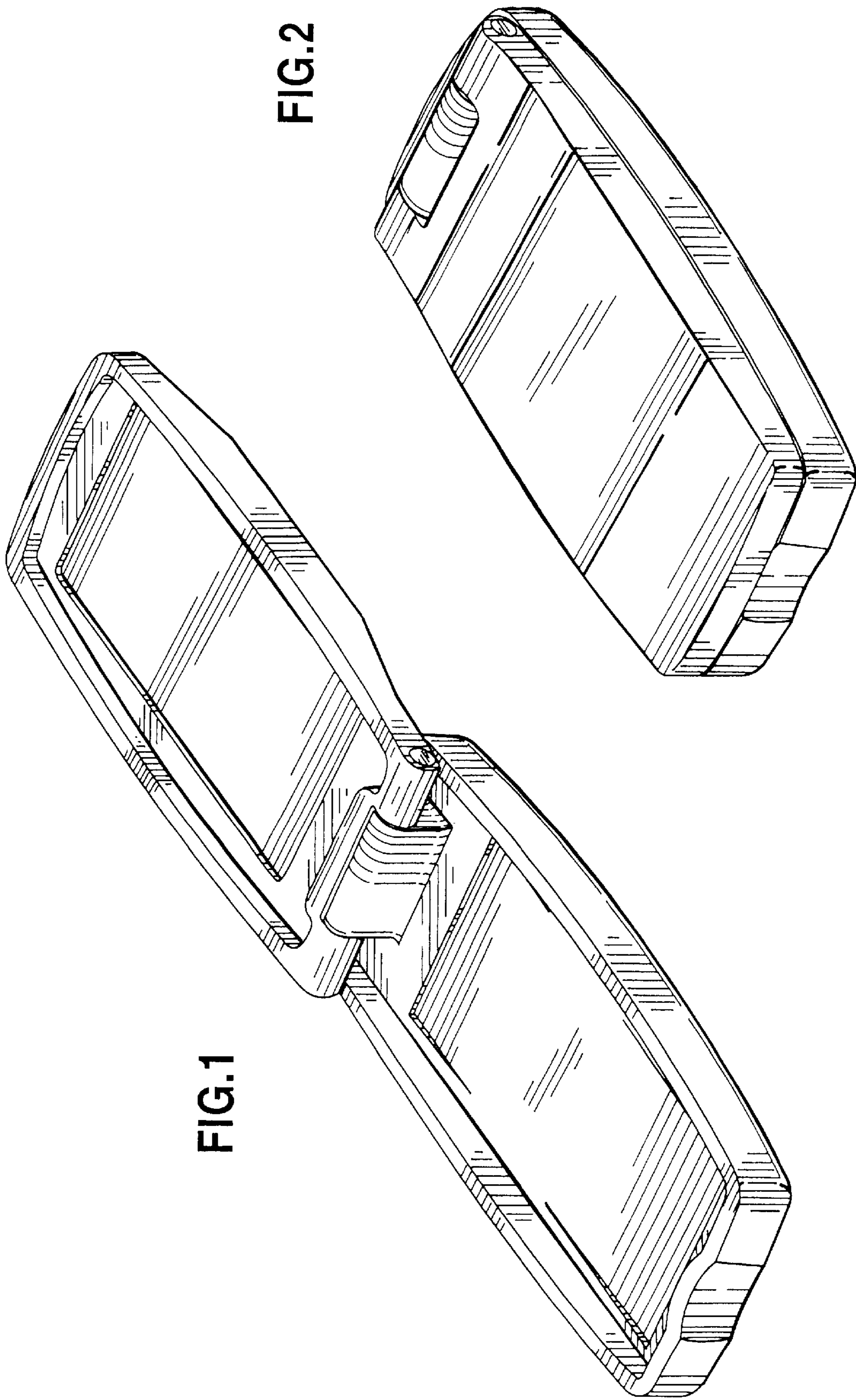


FIG.1

FIG.2

FIG.3

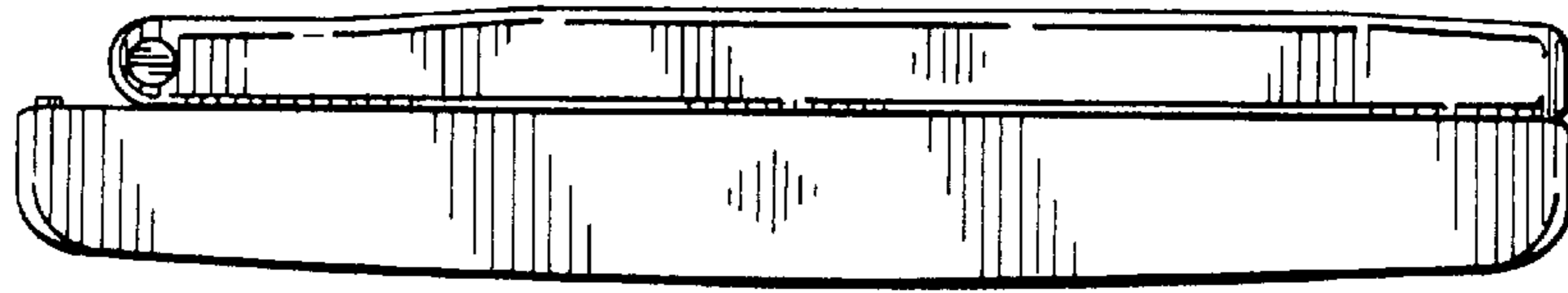


FIG.4

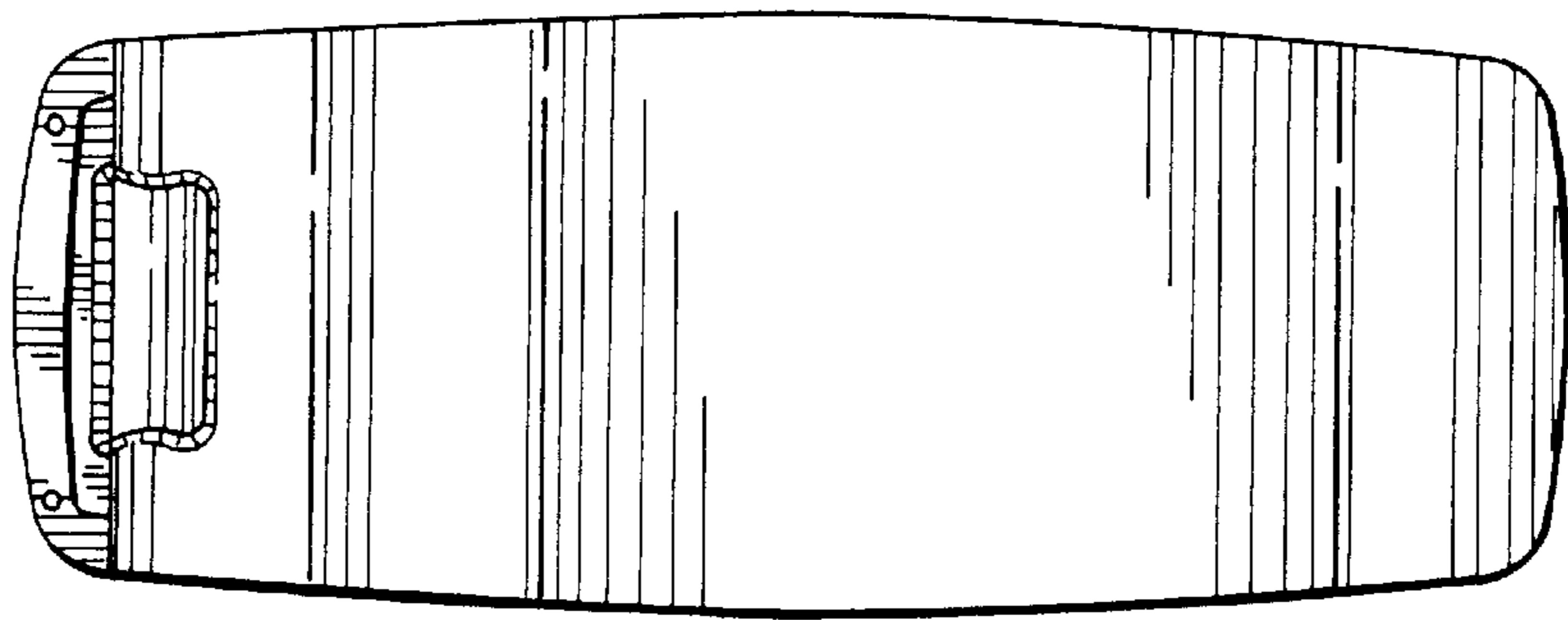


FIG.5

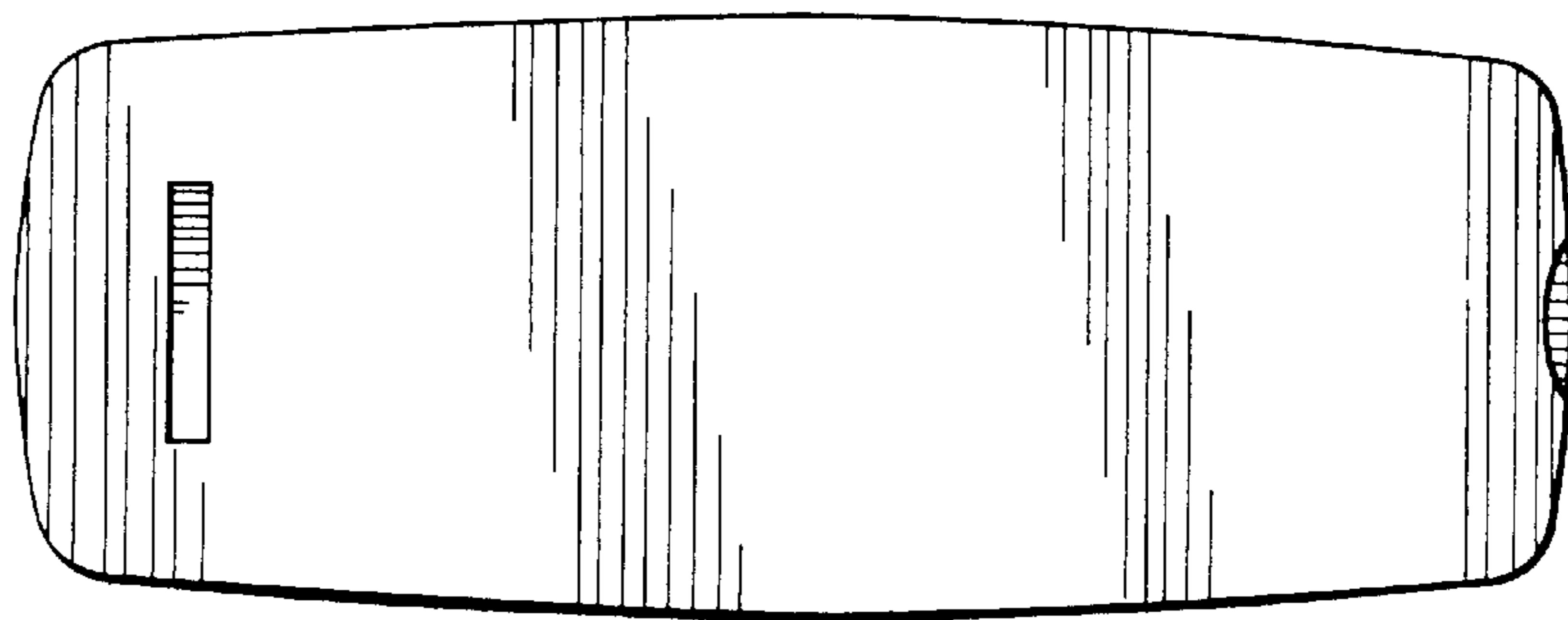


FIG.6

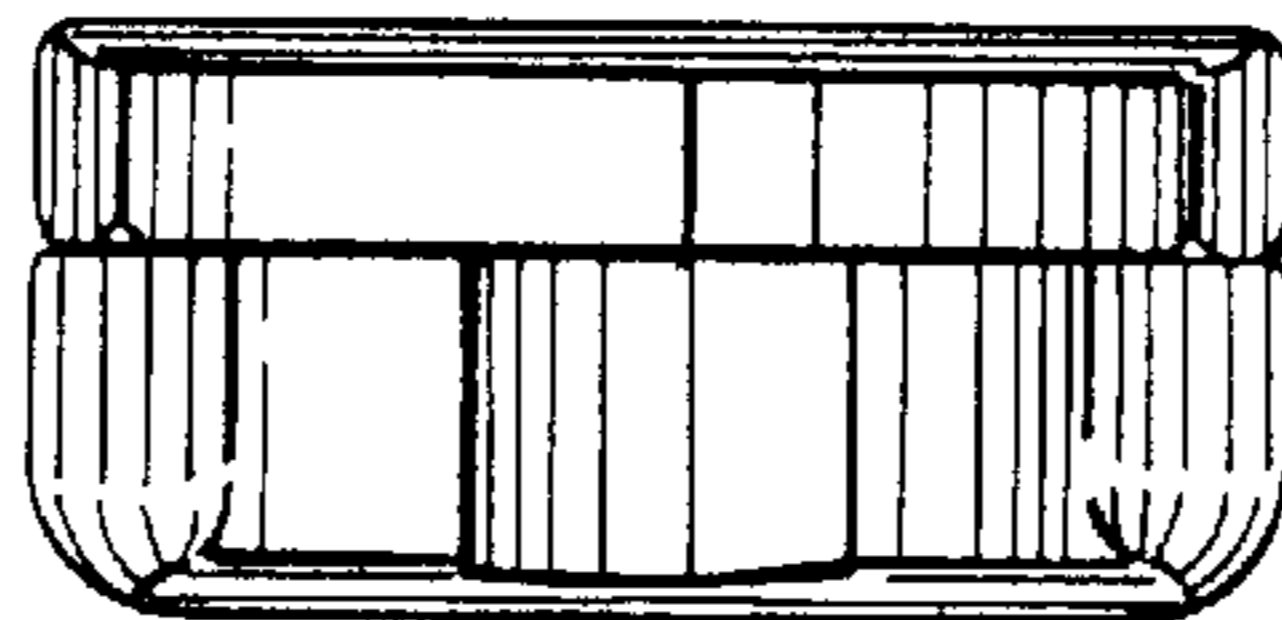
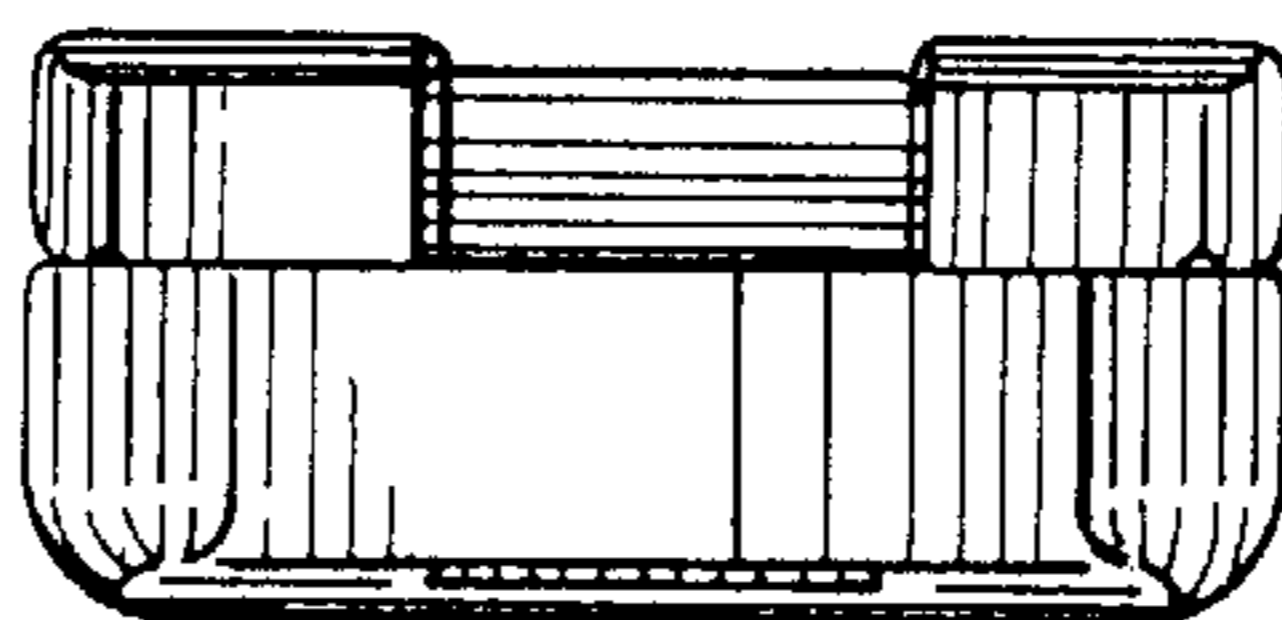


FIG.7



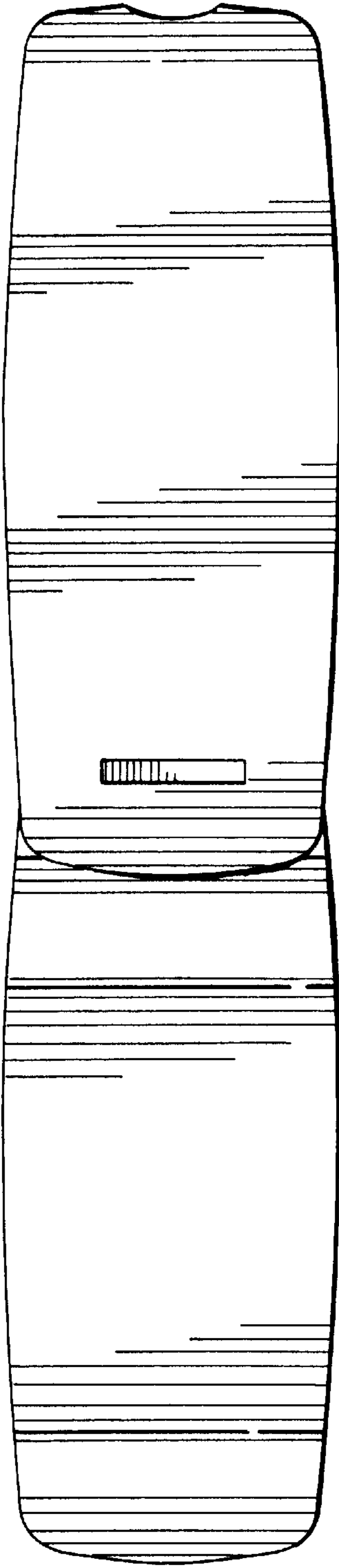


FIG. 8

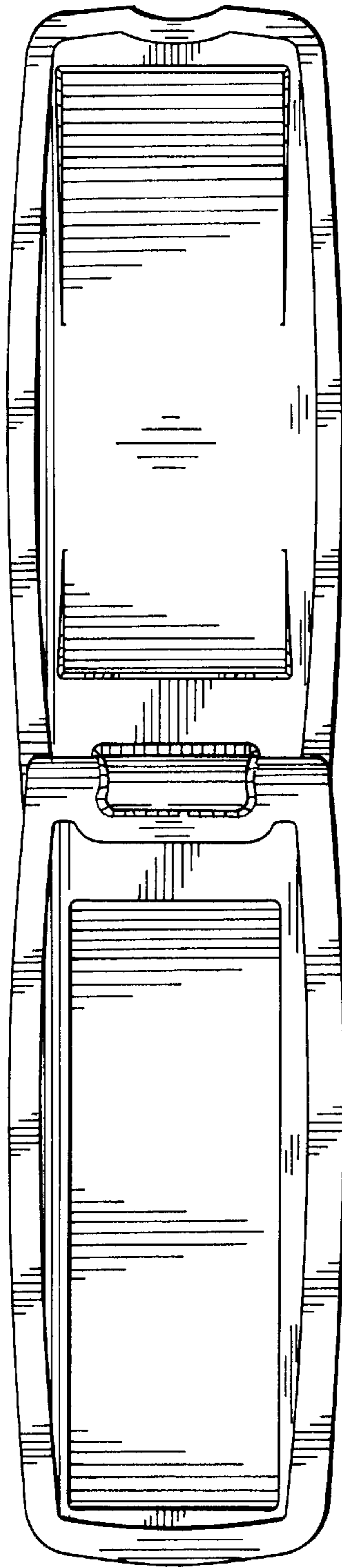


FIG. 9

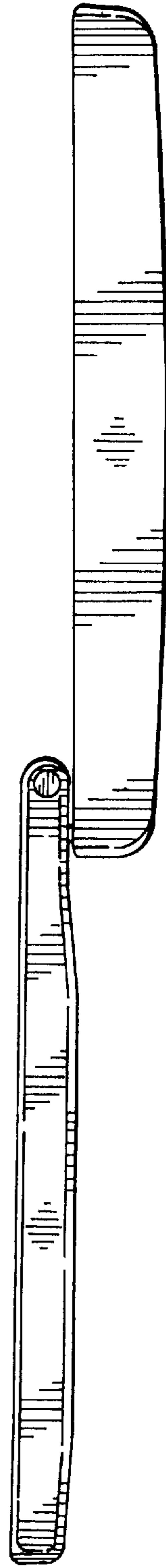
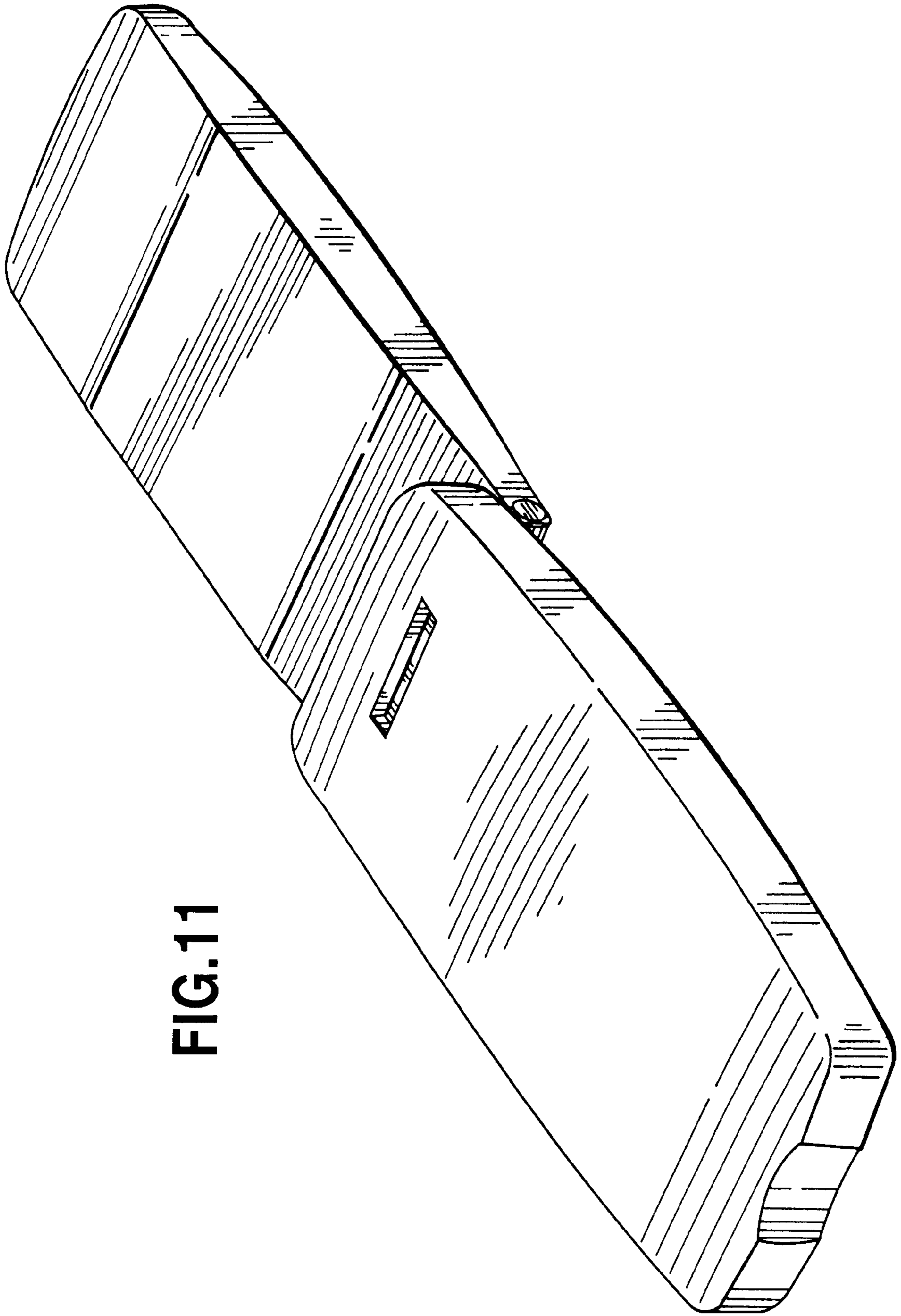


FIG. 10



**FIG.11**

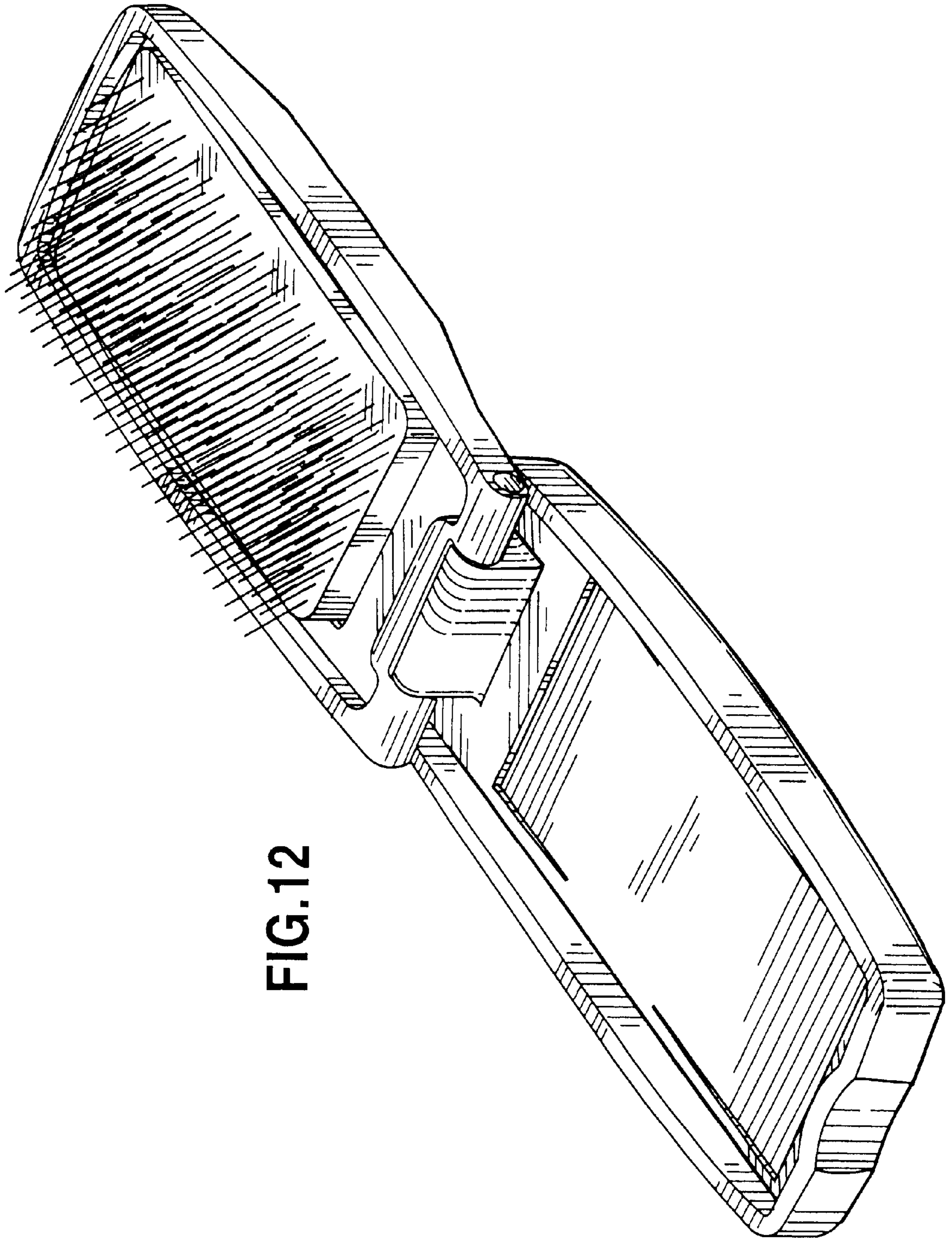


FIG.12

FIG.13

