



US00D470305S

(12) **United States Design Patent**
Clarke

(10) **Patent No.:** **US D470,305 S**

(45) **Date of Patent:** **** Feb. 18, 2003**

(54) **BASE FOR A STANDING UMBRELLA**

(75) **Inventor:** **Dougan H. Clarke**, Miami Beach, FL (US)

(73) **Assignee:** **Tucci Engineering & Design, Inc.**, Miami, FL (US)

(**) **Term:** **14 Years**

(21) **Appl. No.:** **29/151,676**

(22) **Filed:** **Dec. 7, 2001**

(51) **LOC (7) Cl.** **03-03**

(52) **U.S. Cl.** **D3/10**

(58) **Field of Search** D3/5-6, 11-14, D3/16; 135/16, 20.1, 27; 362/102; 297/184.16; D6/413; 284/523, 158, 910, 188.1, 188.4

(56) **References Cited**

U.S. PATENT DOCUMENTS

- 3,038,688 A * 6/1962 Thorburn 248/523 X
- 3,288,413 A * 11/1966 Gregory 248/158
- 3,415,475 A * 12/1968 Goodman D6/495 X
- 4,145,044 A * 3/1979 Wilson et al. 248/188.1 X
- 4,591,126 A * 5/1986 Berney 248/910 X

- D285,883 S * 9/1986 Tegze D6/495
- 4,793,611 A * 12/1988 Thornell 248/910 X
- 5,634,482 A * 6/1997 Martin 135/16
- 5,740,822 A * 4/1998 Einck 135/16
- 6,113,054 A * 9/2000 Ma 248/523
- 6,367,494 B1 * 4/2002 Tung 248/910 X

* cited by examiner

Primary Examiner—Louis S. Zarfes

Assistant Examiner—Robert A. Delehanty

(74) *Attorney, Agent, or Firm*—Malloy & Malloy, P.A.

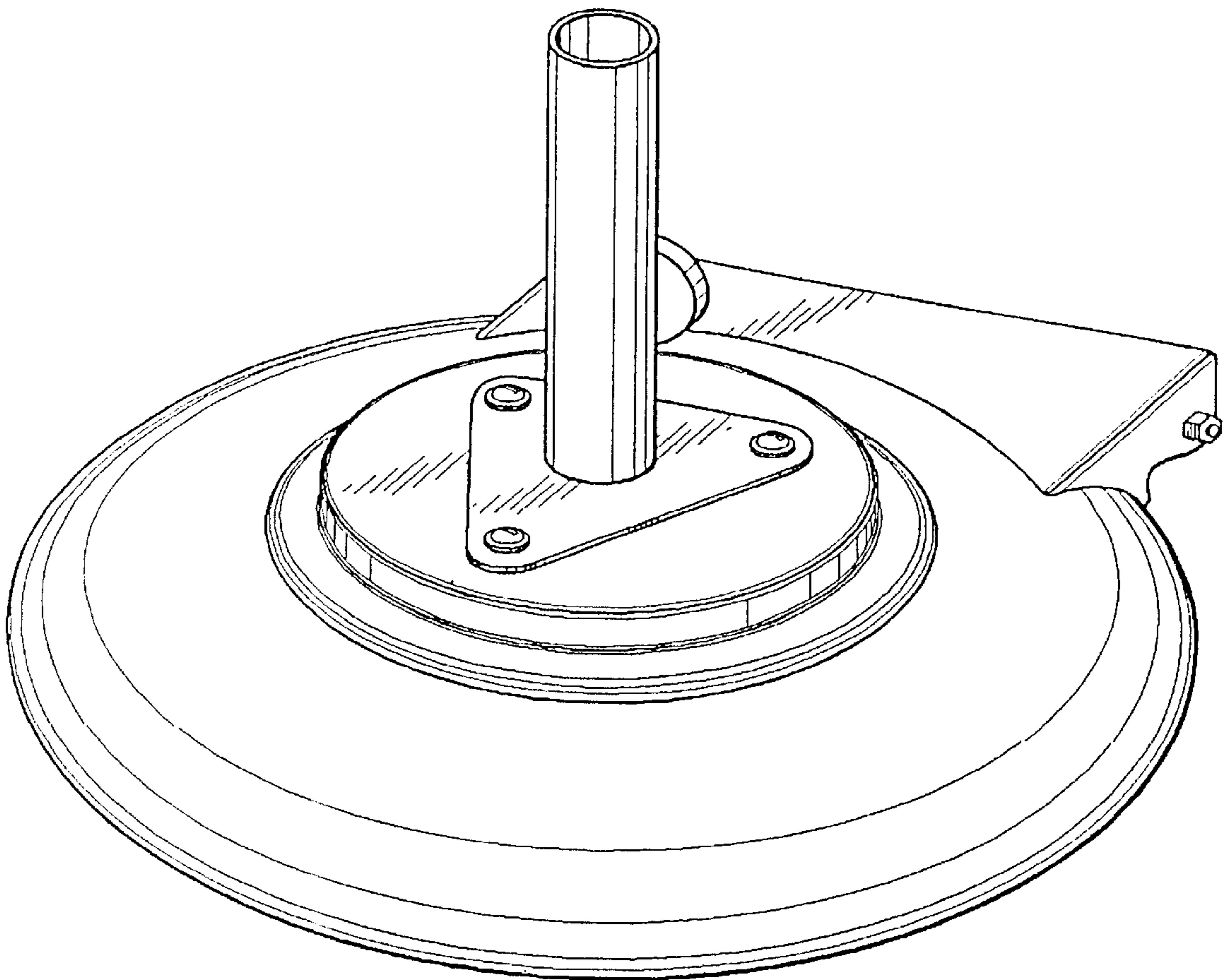
(57) **CLAIM**

The ornamental design for a base for a standing umbrella, as shown and described.

DESCRIPTION

FIG. 1 is a perspective view of the base for an umbrella according to my invention;
 FIG. 2 is a top view thereof;
 FIG. 3 is a left side view thereof;
 FIG. 4 is a rear view thereof;
 FIG. 5 is a right side view thereof;
 FIG. 6 is a front view thereof; and,
 FIG. 7 is a bottom view thereof.

1 Claim, 5 Drawing Sheets



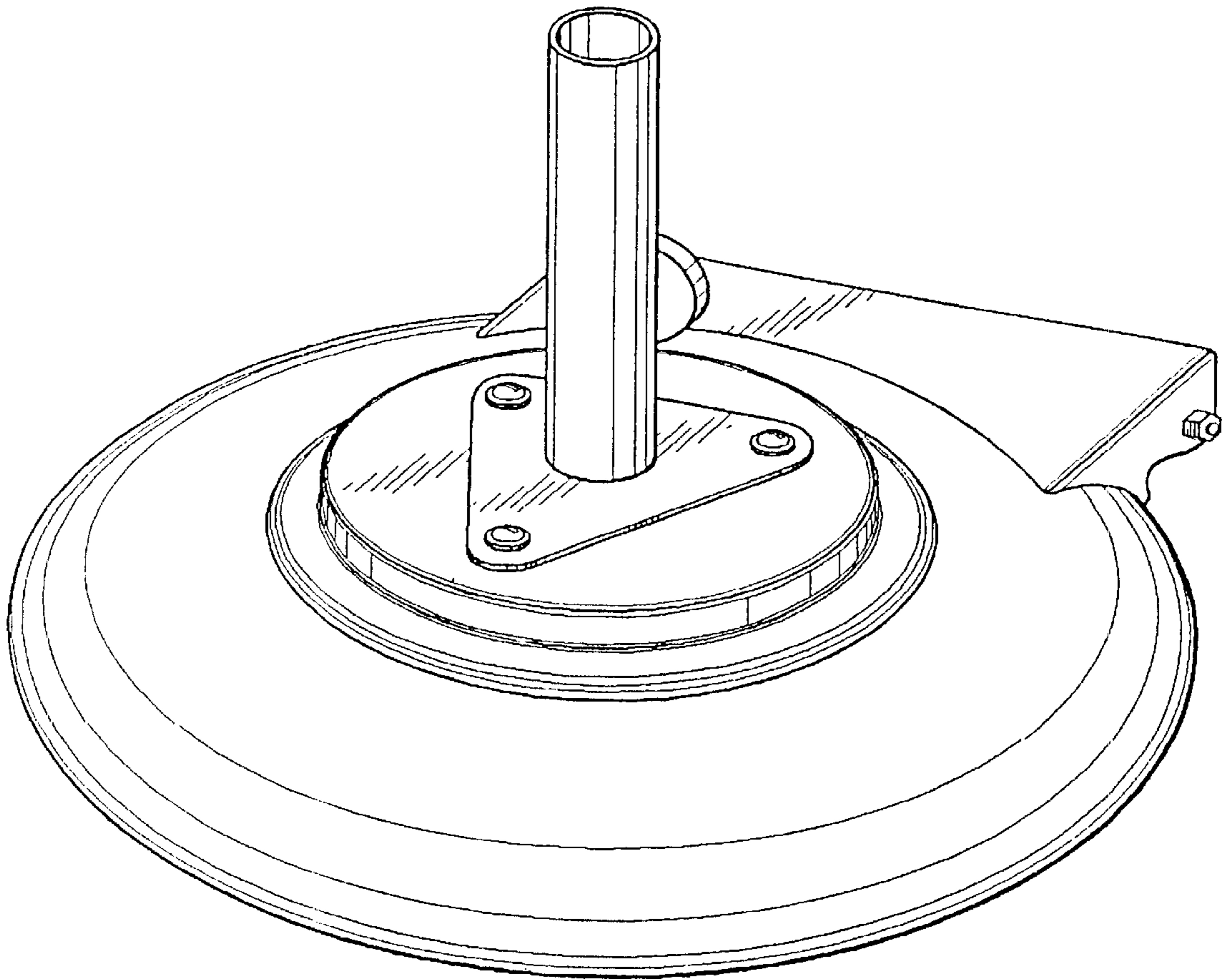


FIG. 1

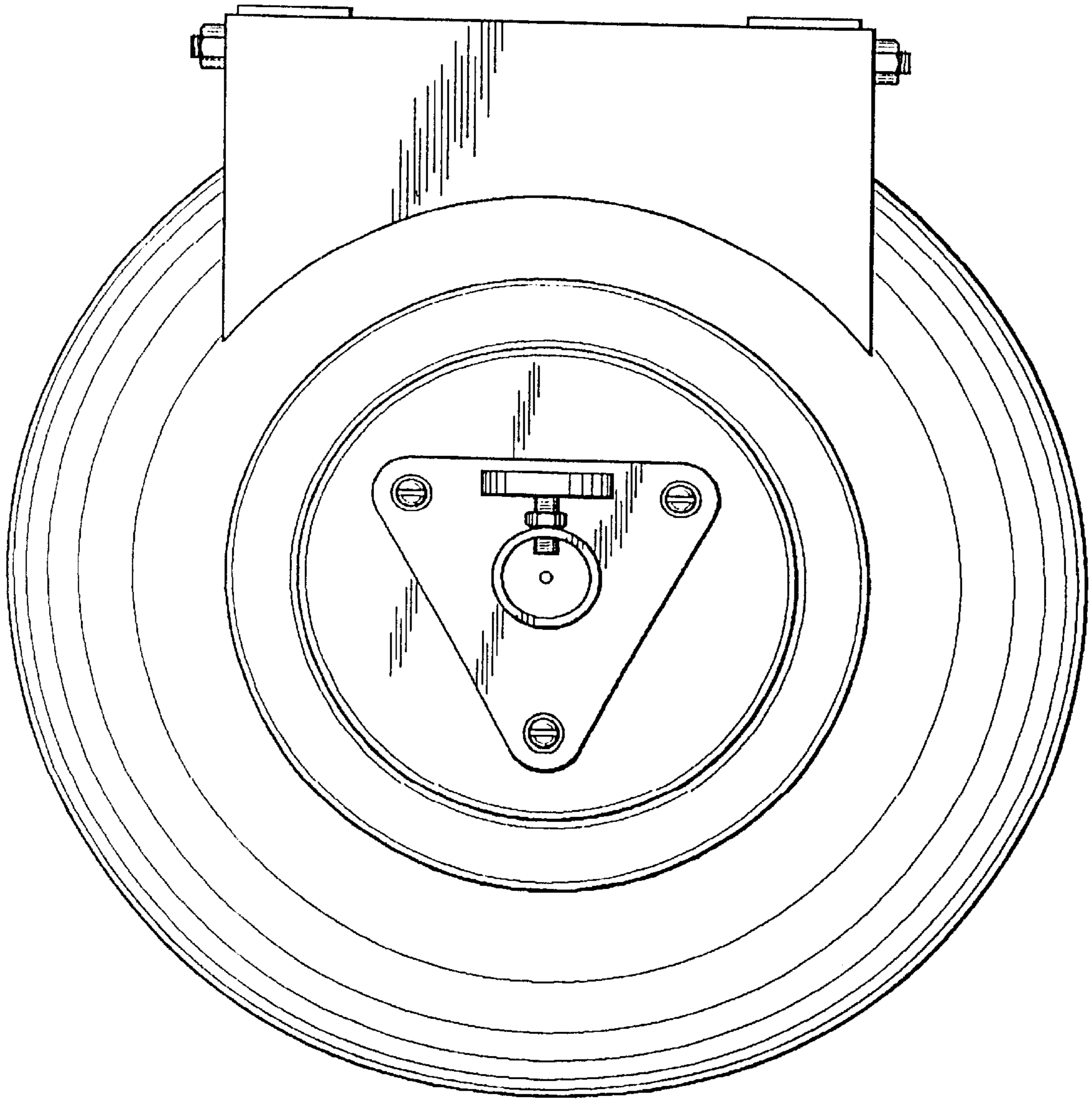


FIG. 2

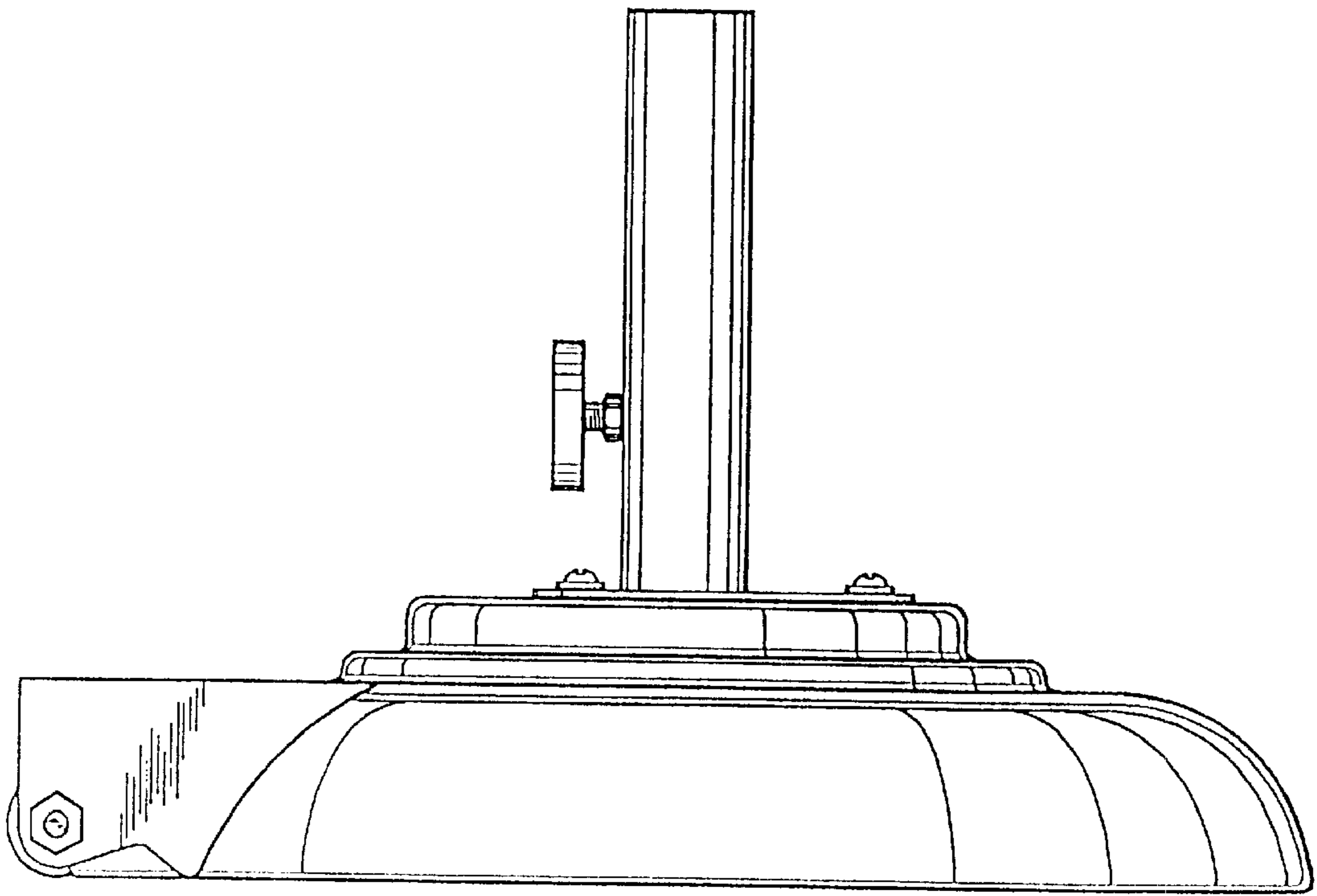


FIG. 3

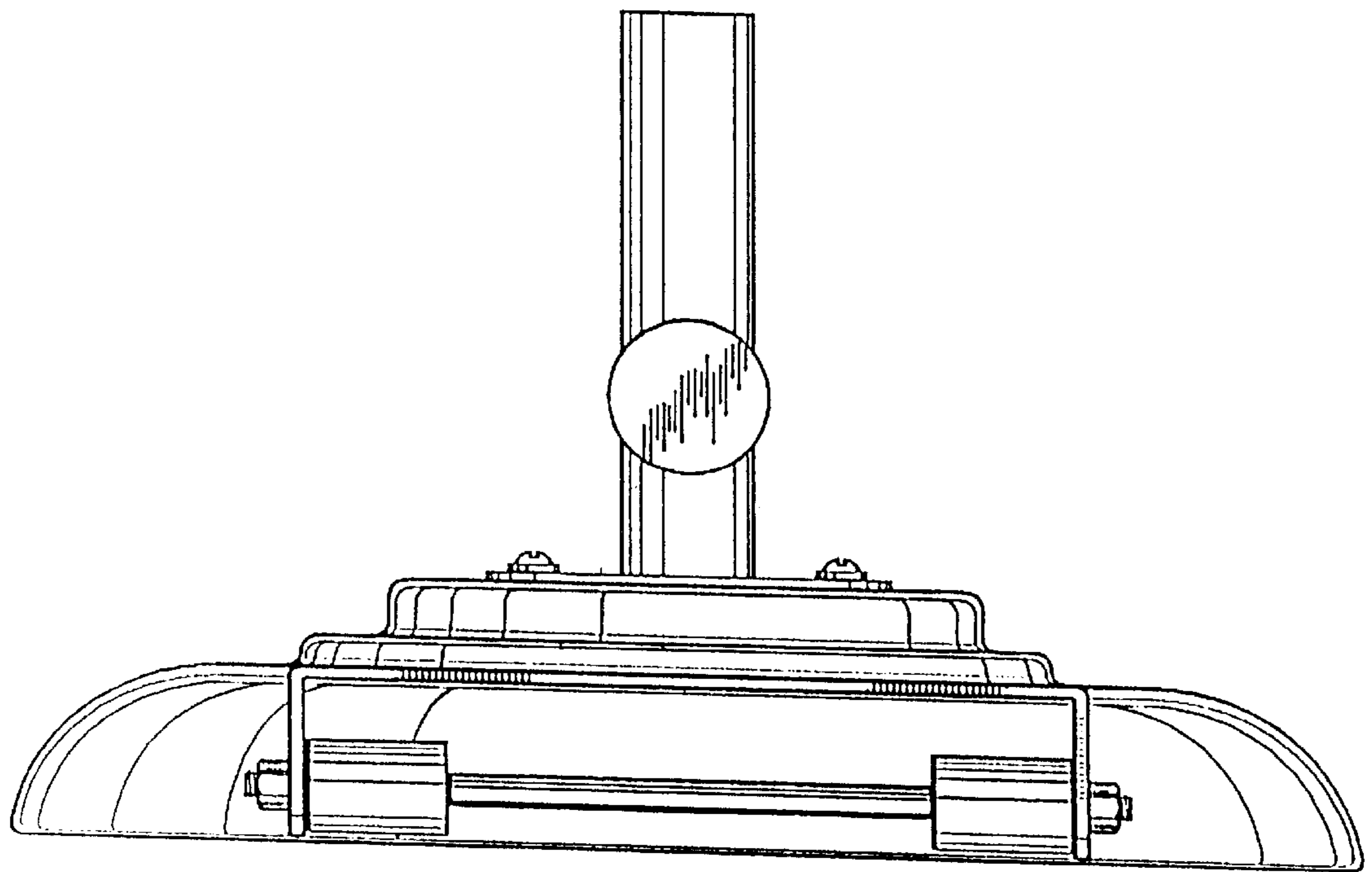


FIG. 4

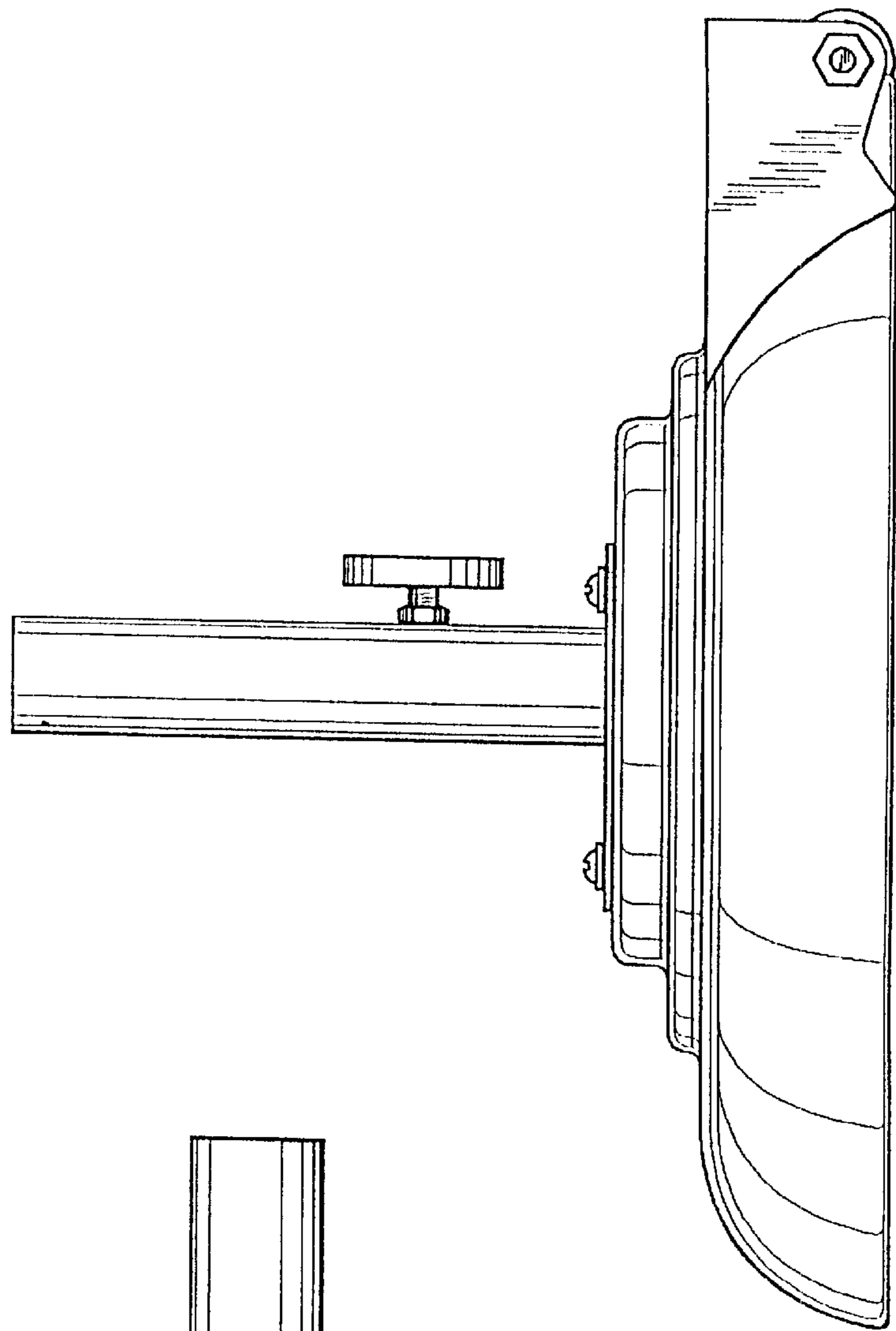


FIG. 5

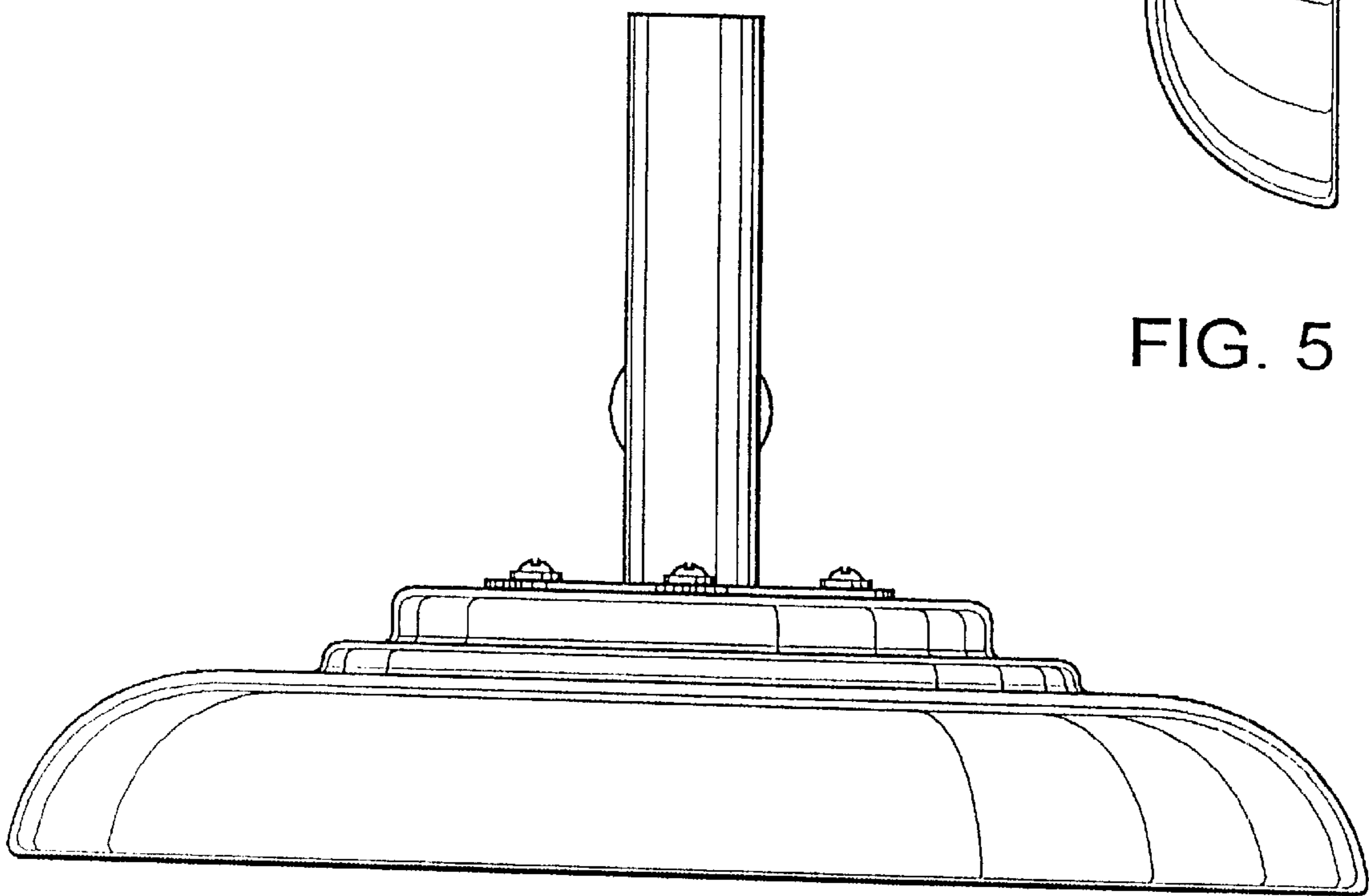


FIG. 6

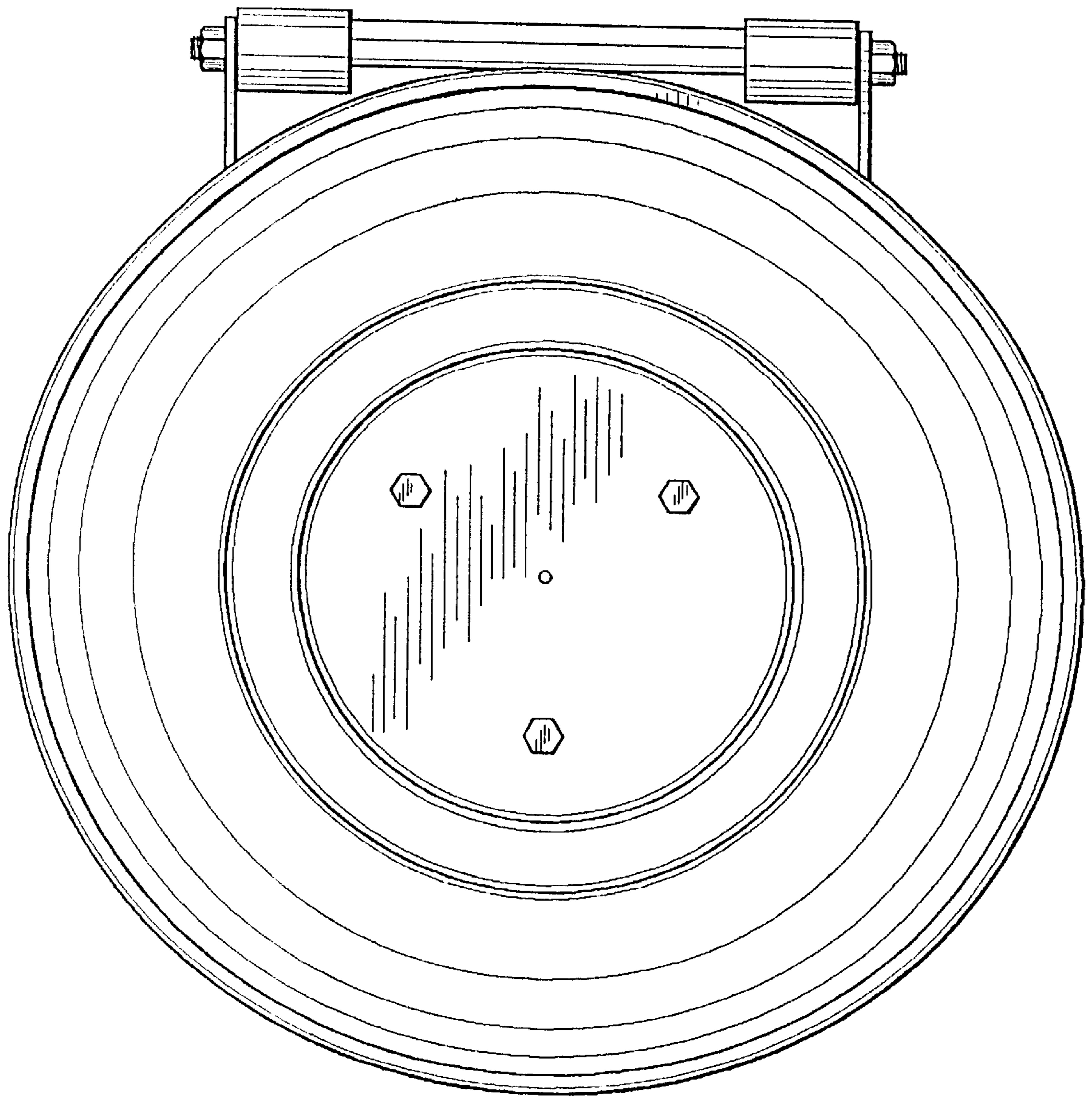


FIG. 7