



US00D470285S

(12) **United States Design Patent**  
**Pytlewski**

(10) **Patent No.:** **US D470,285 S**

(45) **Date of Patent:** **\*\* Feb. 11, 2003**

(54) **TILE GROUTING SYSTEM BUCKET**

(76) Inventor: **Walter W. Pytlewski**, 5171 E. Seltice Way, Post Falls, ID (US) 83854

(\*\*) Term: **14 Years**

(21) Appl. No.: **29/164,686**

(22) Filed: **Jul. 30, 2002**

(51) **LOC (7) Cl.** ..... **07-07**

(52) **U.S. Cl.** ..... **D32/53**

(58) **Field of Search** ..... D7/601, 602; D9/424, D9/425, 431, 432; 15/257.05, 257.06, 264; 206/518, 519, 557; 220/570, 571, 604, 606, 657, 659, 669, 675, 769, 771, 772, 904, DIG. 12, DIG. 13, DIG. 14

(56) **References Cited**

**U.S. PATENT DOCUMENTS**

3,015,412	A	*	1/1962	Klages	.....	220/769	X
D202,134	S	*	8/1965	Bryan	.....	D32/53.1	
3,756,451	A	*	9/1973	Popeil	.....	15/264	X
5,520,282	A	*	5/1996	Williams, Jr.	.....	206/557	X
D462,491	S	*	9/2002	Hauenstein	.....	D32/53	

\* cited by examiner

*Primary Examiner*—Alan P. Douglas

*Assistant Examiner*—Lavone D. Tabor

(74) *Attorney, Agent, or Firm*—Robert Louis Finkel

(57) **CLAIM**

The ornamental design for a tile grouting system bucket, as shown and described.

**DESCRIPTION**

FIG. 1 is a rear top perspective view of a tile grouting system bucket embodying my new design;

FIG. 2 is a top plan view of the tile grouting system bucket of FIG. 1;

FIG. 3 is a side view of one of the two identical sides of the tile grouting system bucket of FIG. 1;

FIG. 4 is a front view of the tile grouting system bucket of FIG. 1;

FIG. 5 is a rear view of the tile grouting system bucket of FIG. 1; and,

FIG. 6 is a bottom plan view of the tile grouting system bucket of FIG. 1.

**1 Claim, 1 Drawing Sheet**

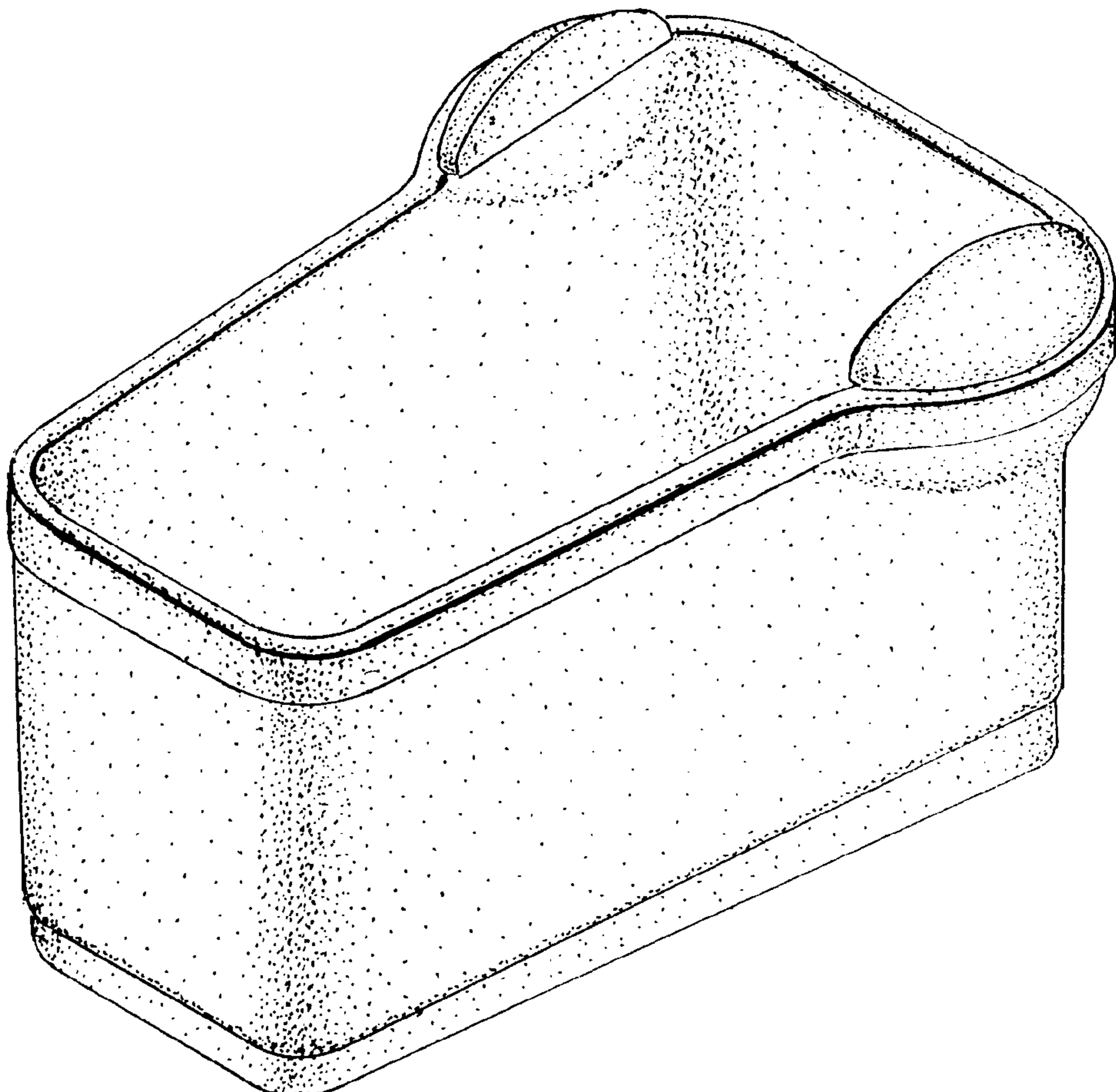


FIG. 1

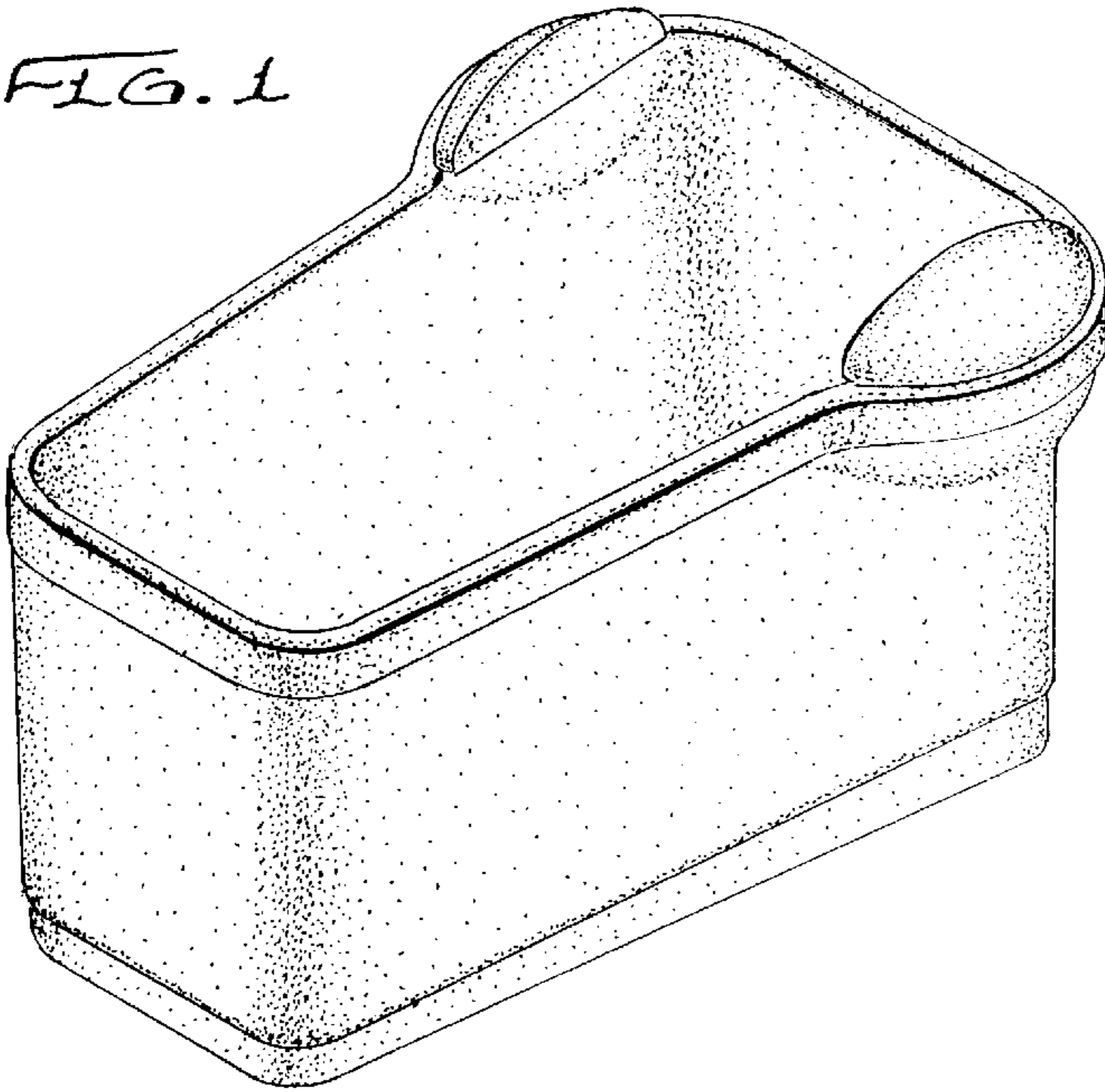


FIG. 4

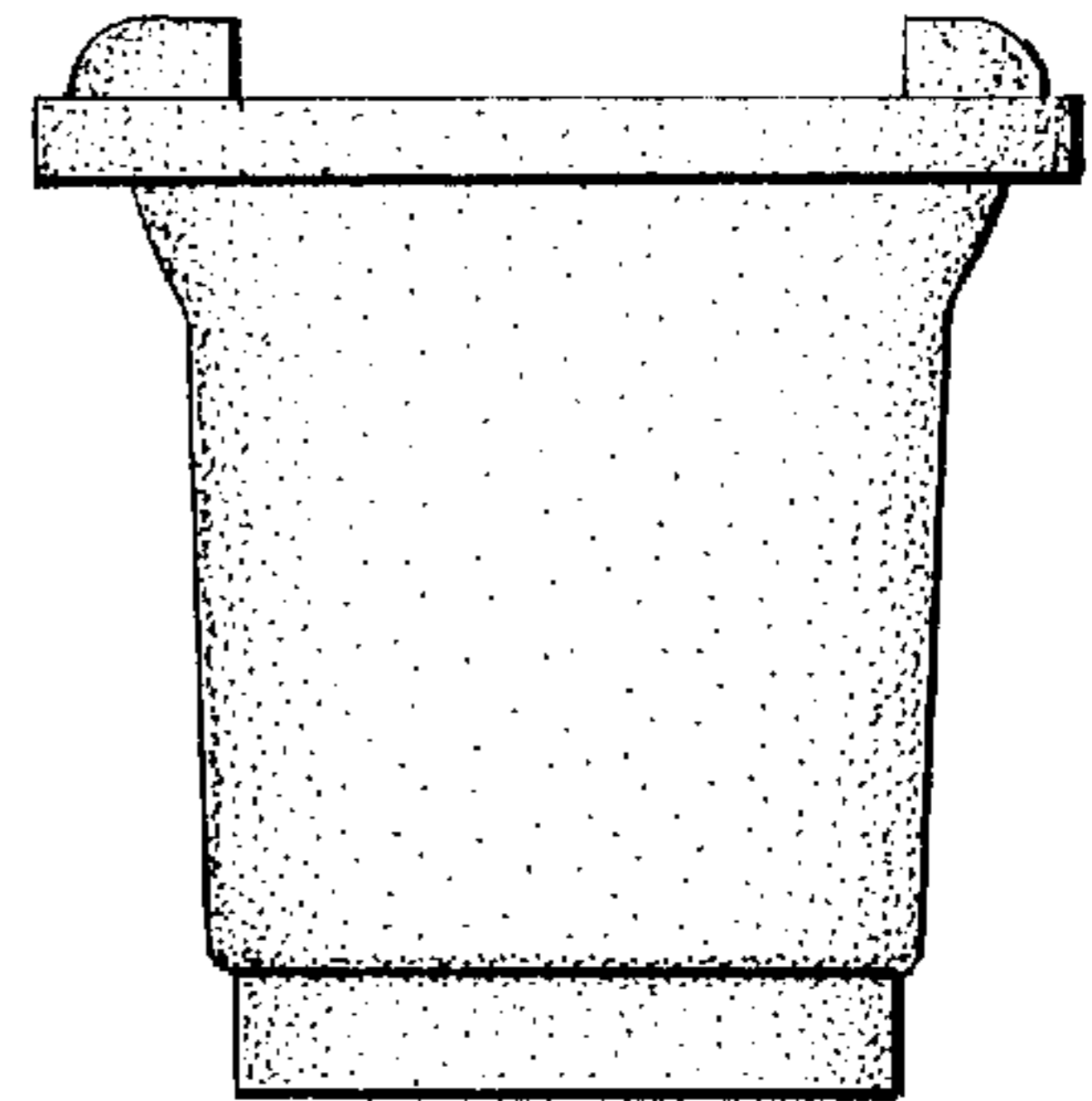


FIG. 2

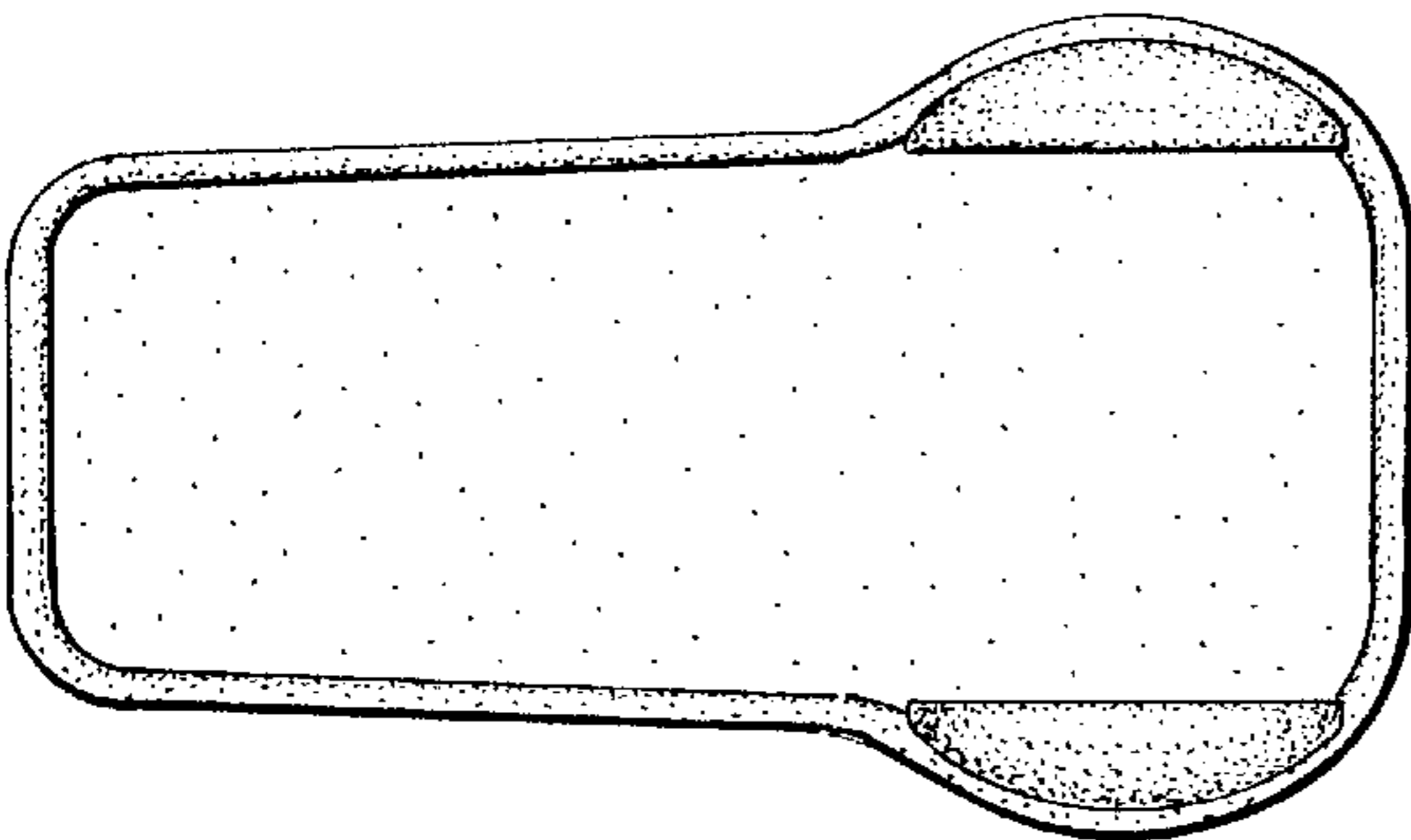


FIG. 5

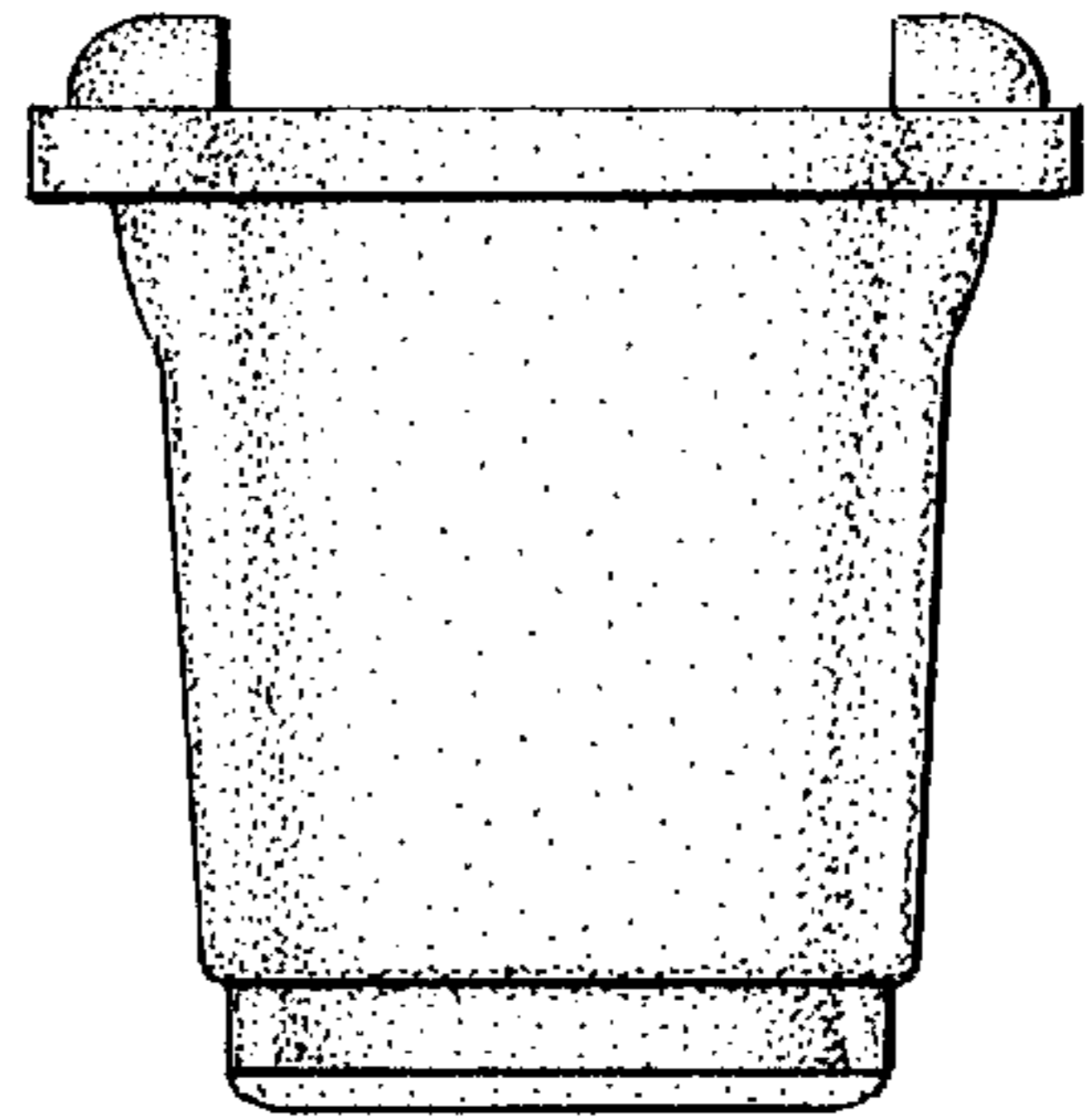


FIG. 3

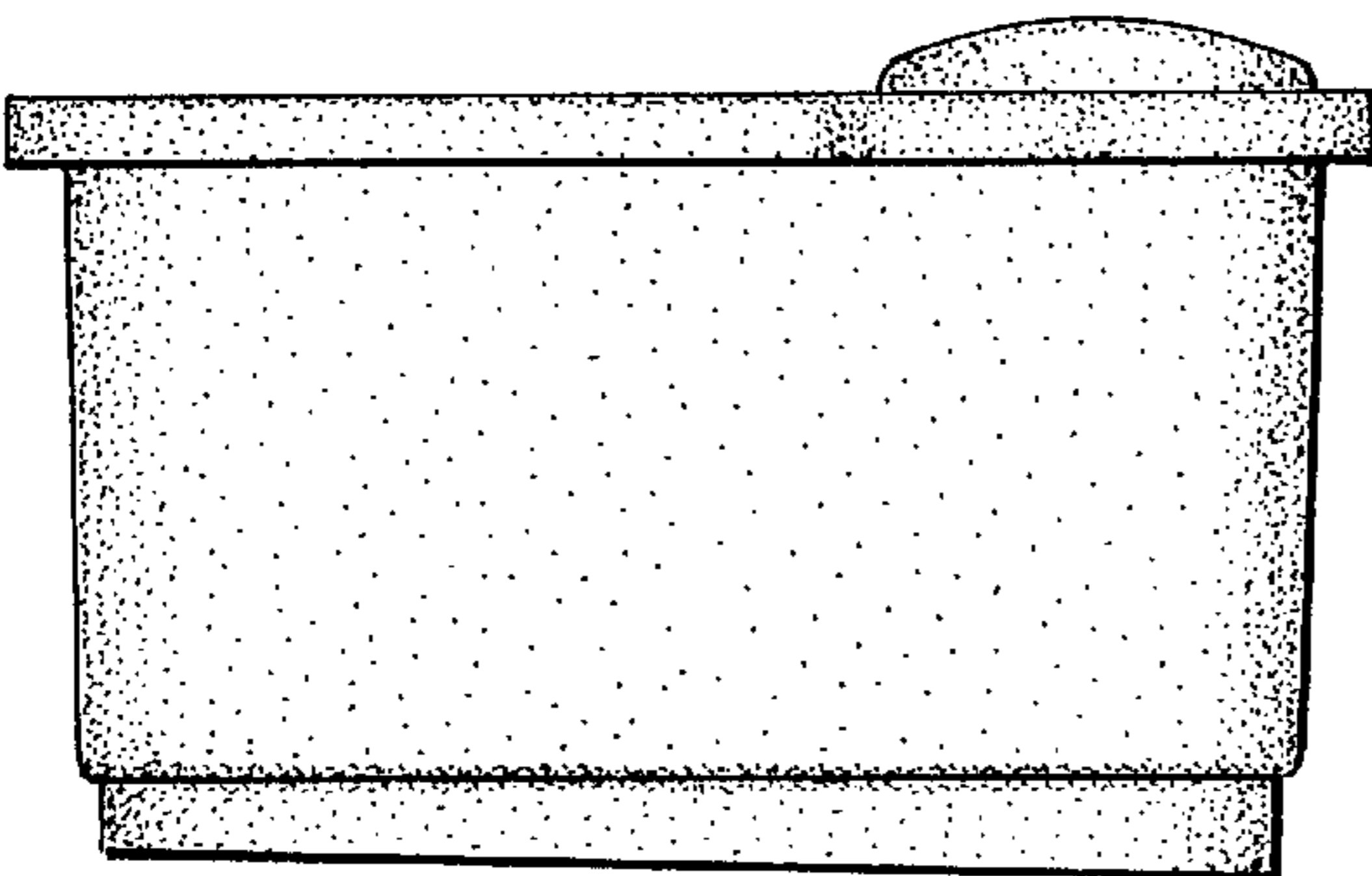


FIG. 6

