



US00D470284S

(12) **United States Design Patent**
Vega

(10) **Patent No.:** **US D470,284 S**

(45) **Date of Patent:** **** Feb. 11, 2003**

(54) **MAGNETICALLY-COUPLED
DOUBLE-SIDED WINDOW WASHER**

(76) **Inventor:** **Edith Vega**, 992 Lenox Rd., Brooklyn,
NY (US) 11212

(**) **Term:** **14 Years**

(21) **Appl. No.:** **29/165,919**

(22) **Filed:** **Aug. 20, 2002**

(51) **LOC (7) Cl.** **04-01**

(52) **U.S. Cl.** **D32/52**

(58) **Field of Search** D32/35, 40, 52;
451/527, 528; 15/208, 209.1, 210.1, 229.11,
229.12, 229.13, 230.16, 244.1, 244.4, 220.1,
220.2, 250.04, 250.11, 250.28, 250.29

(56) **References Cited**

U.S. PATENT DOCUMENTS

2,598,699	A	*	6/1952	Jordan	15/250.11
2,634,444	A	*	4/1953	Coleman	15/220.2
2,700,171	A	*	1/1955	Wiest, Jr.	15/250.04
3,778,173	A		12/1973	De Carlo		
D235,603	S	*	7/1975	Doyel	D32/52
4,858,267	A		8/1989	Unger		
5,161,279	A		11/1992	Sager et al.		
5,988,109	A	*	11/1999	Rofen	15/220.2 X
6,178,584	B1	*	1/2001	Post	15/220.1

FOREIGN PATENT DOCUMENTS

JP 7-314 * 1/1995 A47L/1/13

* cited by examiner

Primary Examiner—Alan P. Douglas

Assistant Examiner—Lavone D. Tabor

(74) *Attorney, Agent, or Firm*—Donald R. Schoonover

(57) **CLAIM**

The ornamental design for a magnetically-coupled double-sided window washer, as shown and described.

DESCRIPTION

FIG. 1 is a left side perspective view of a magnetically-coupled double-sided window washer embodying my new design;

FIG. 2 is a front elevational view thereof;

FIG. 3 is a rear elevational view thereof;

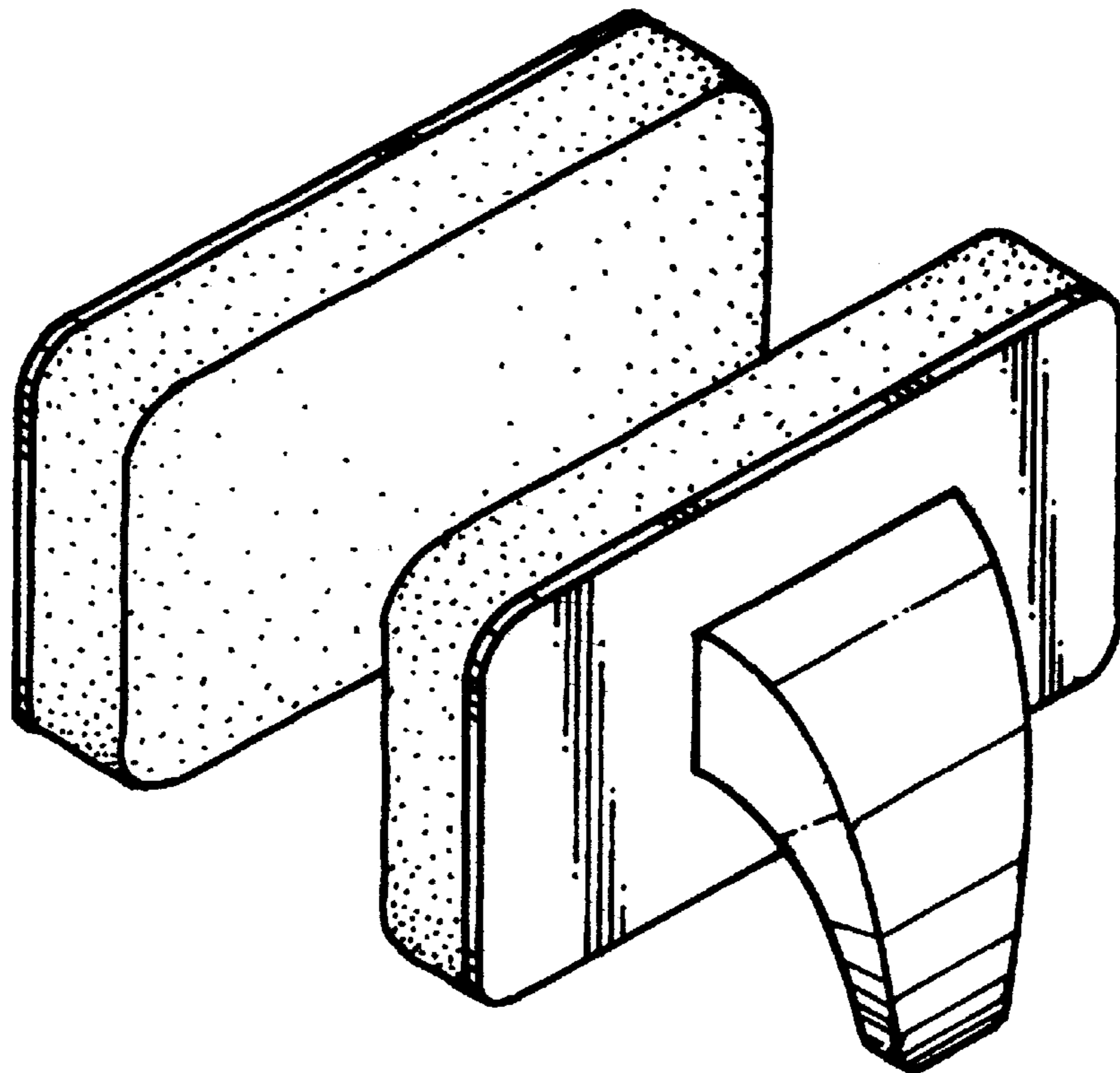
FIG. 4 is left side elevational view thereof;

FIG. 5 is a top plan view thereof;

FIG. 6 is a bottom plan view thereof; and,

FIG. 7 is a reduced right side perspective view thereof, the broken lines showing environmental structure being for illustrative purposes only and forming no part of the claimed design.

1 Claim, 4 Drawing Sheets



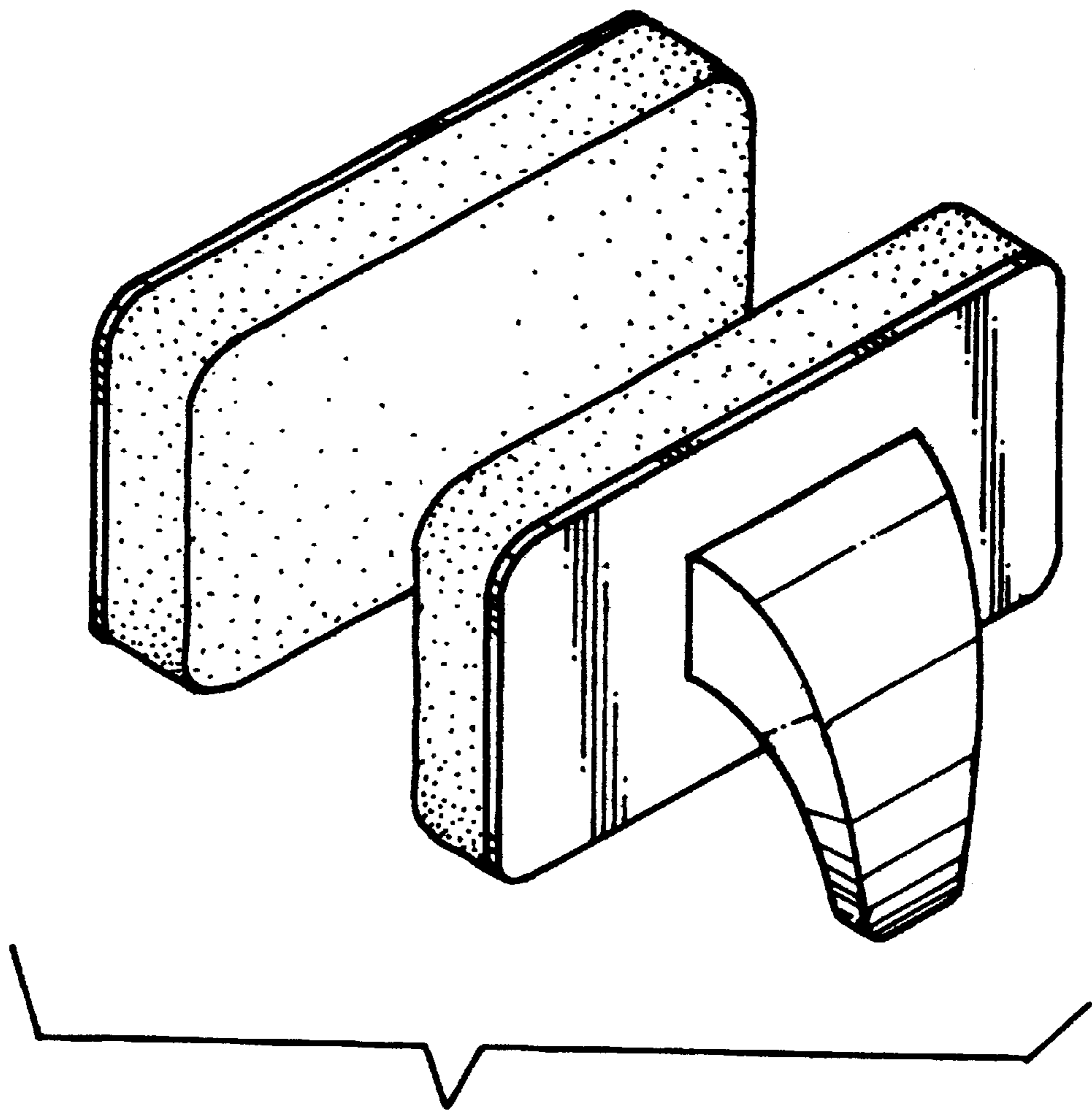


FIG.1.

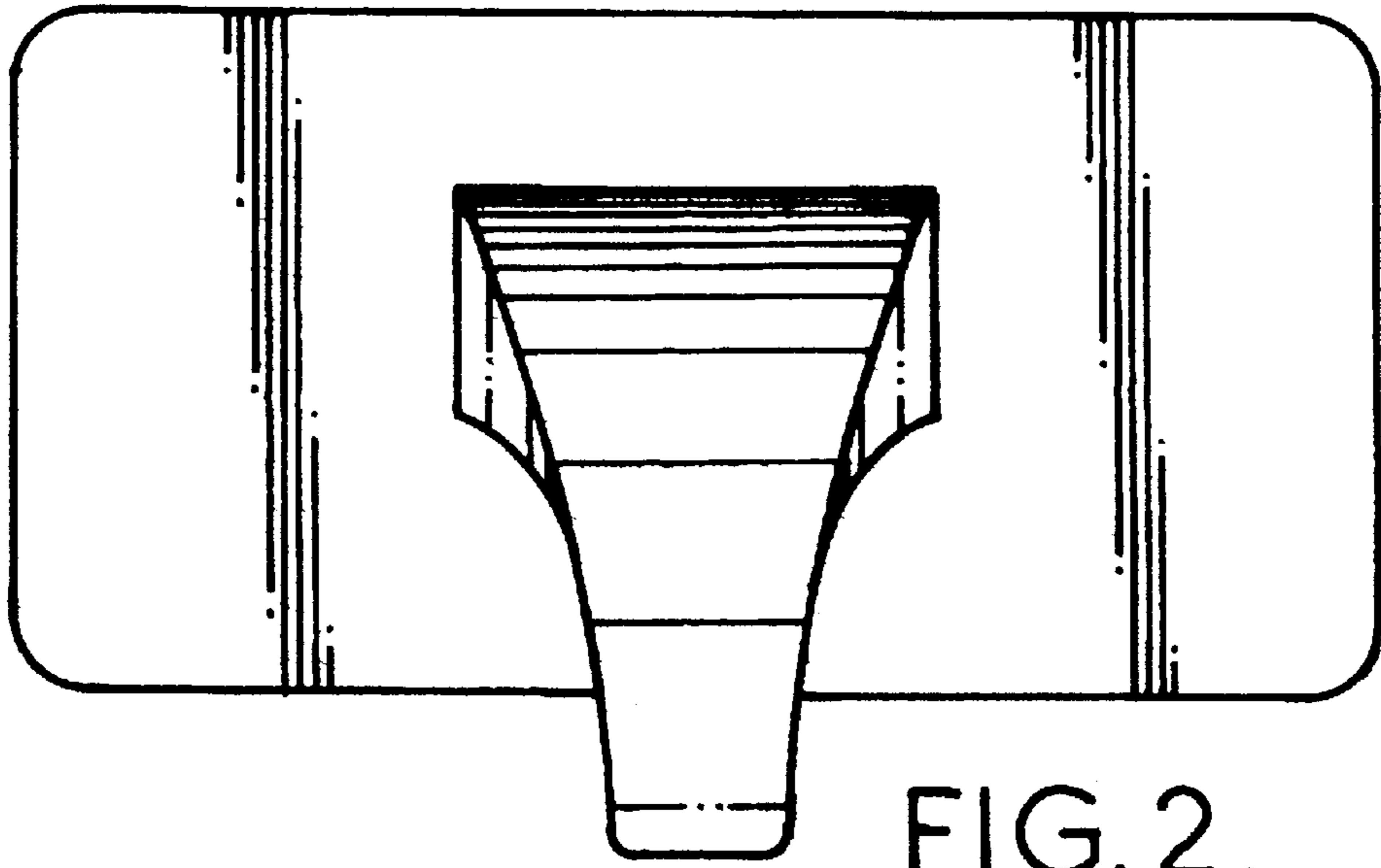


FIG. 2.

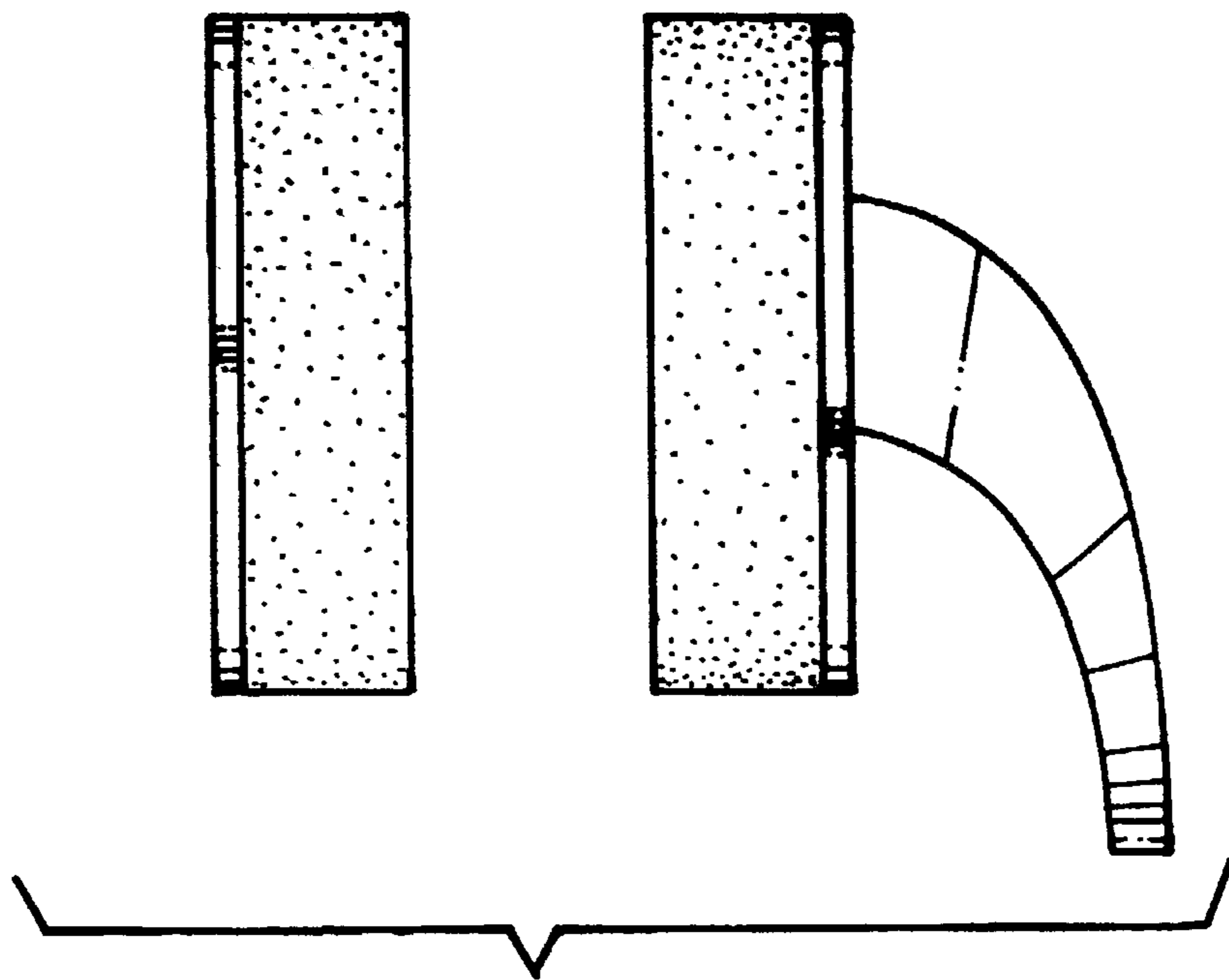


FIG. 4.

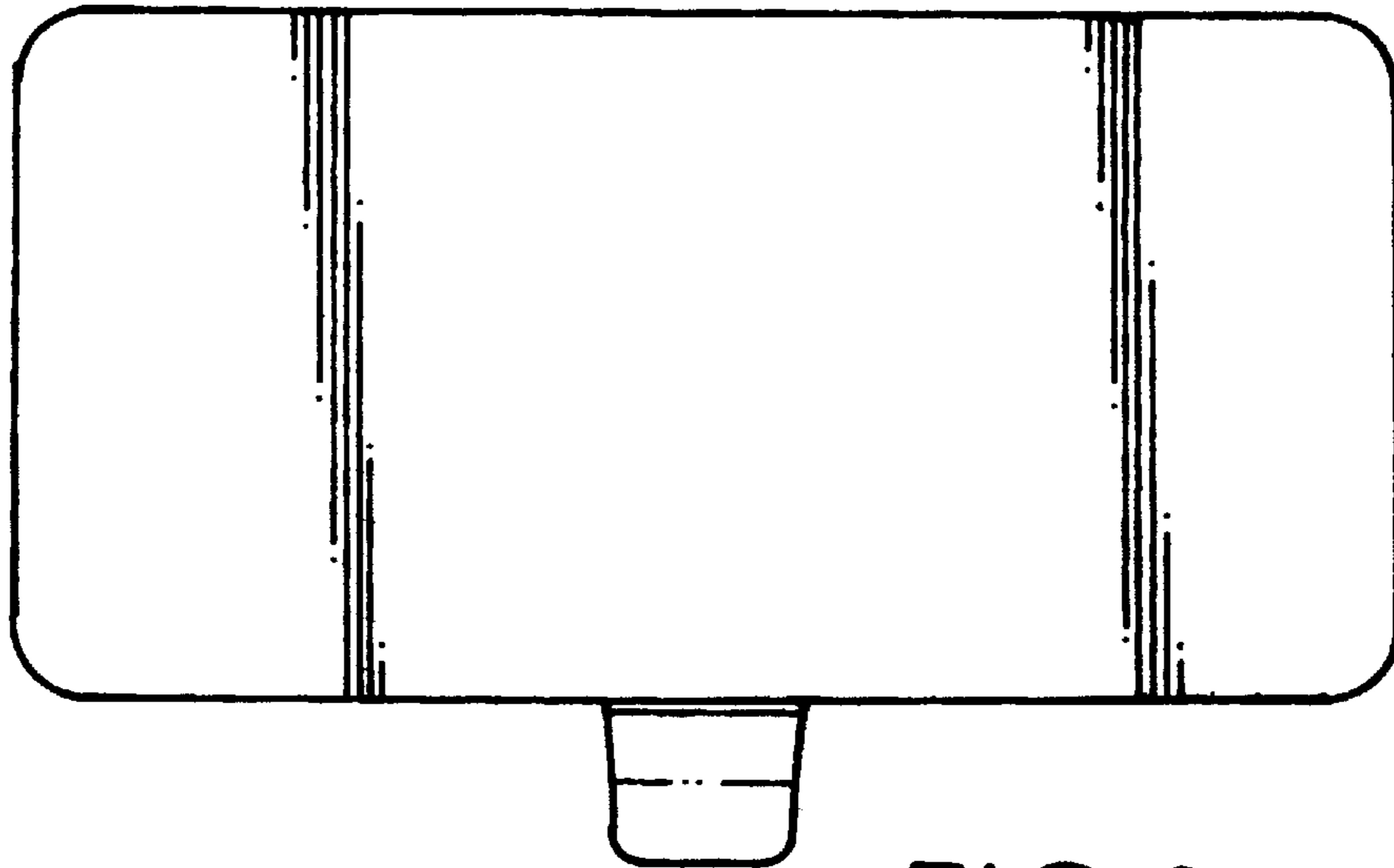


FIG. 3.

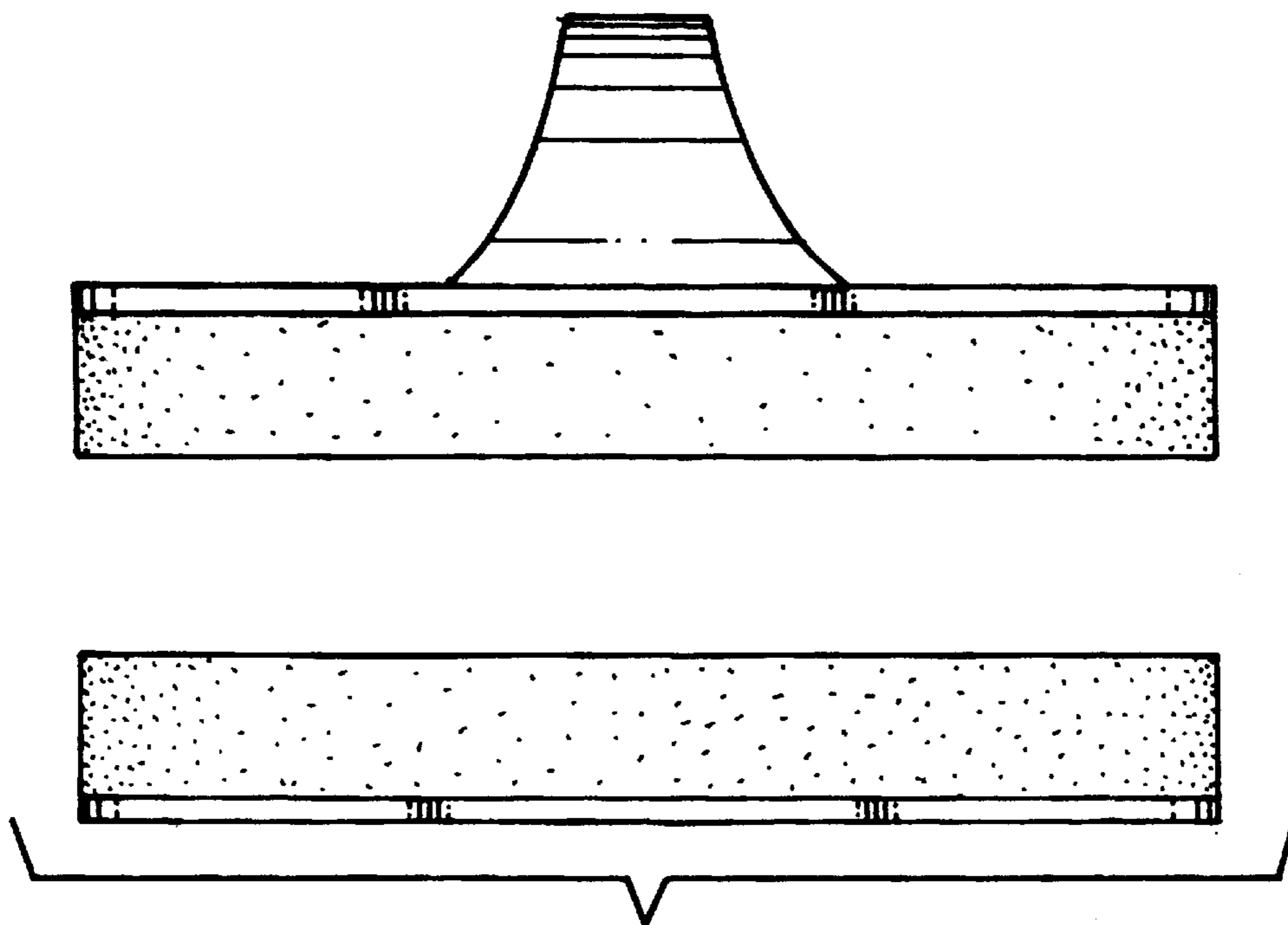


FIG. 5.

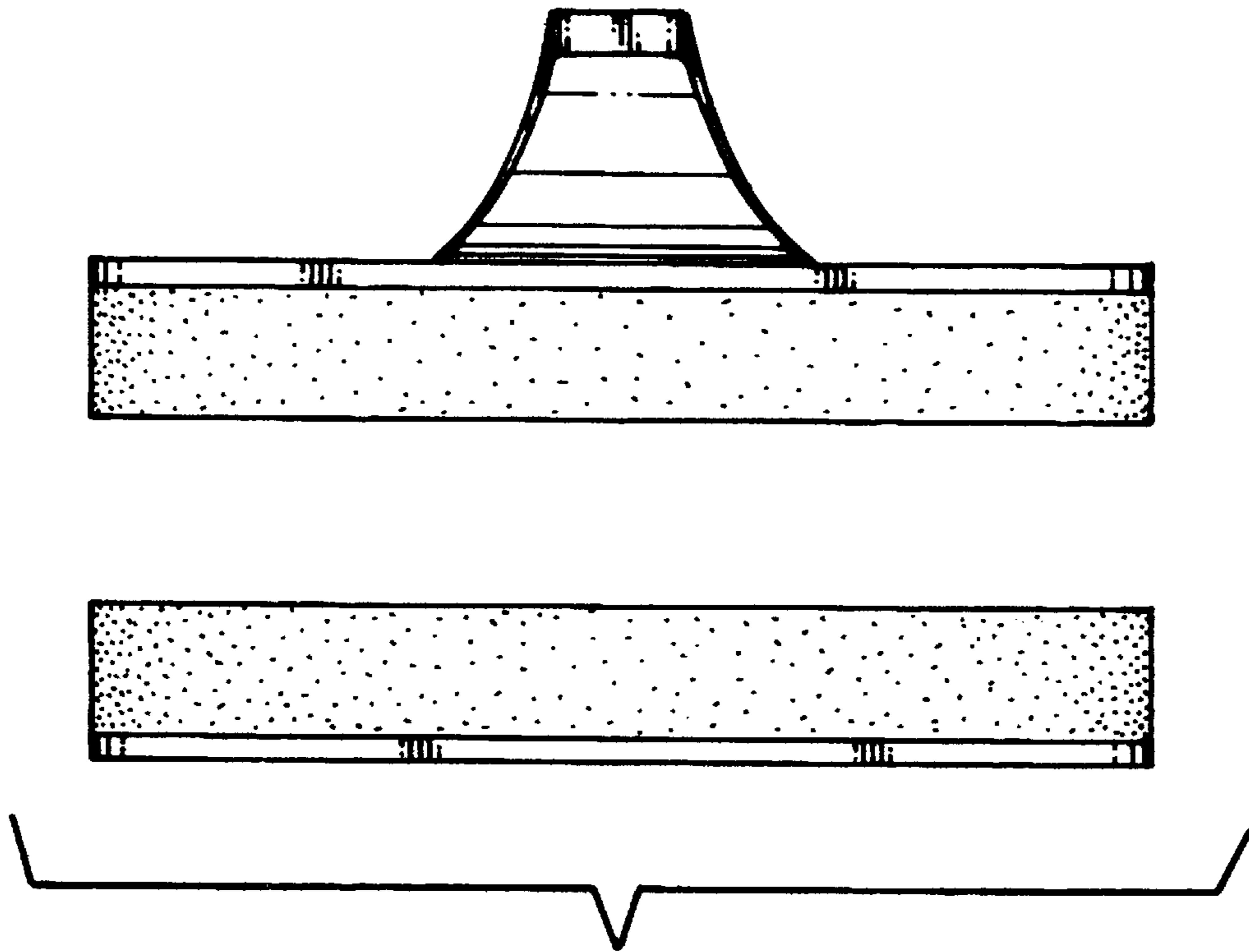


FIG. 6.

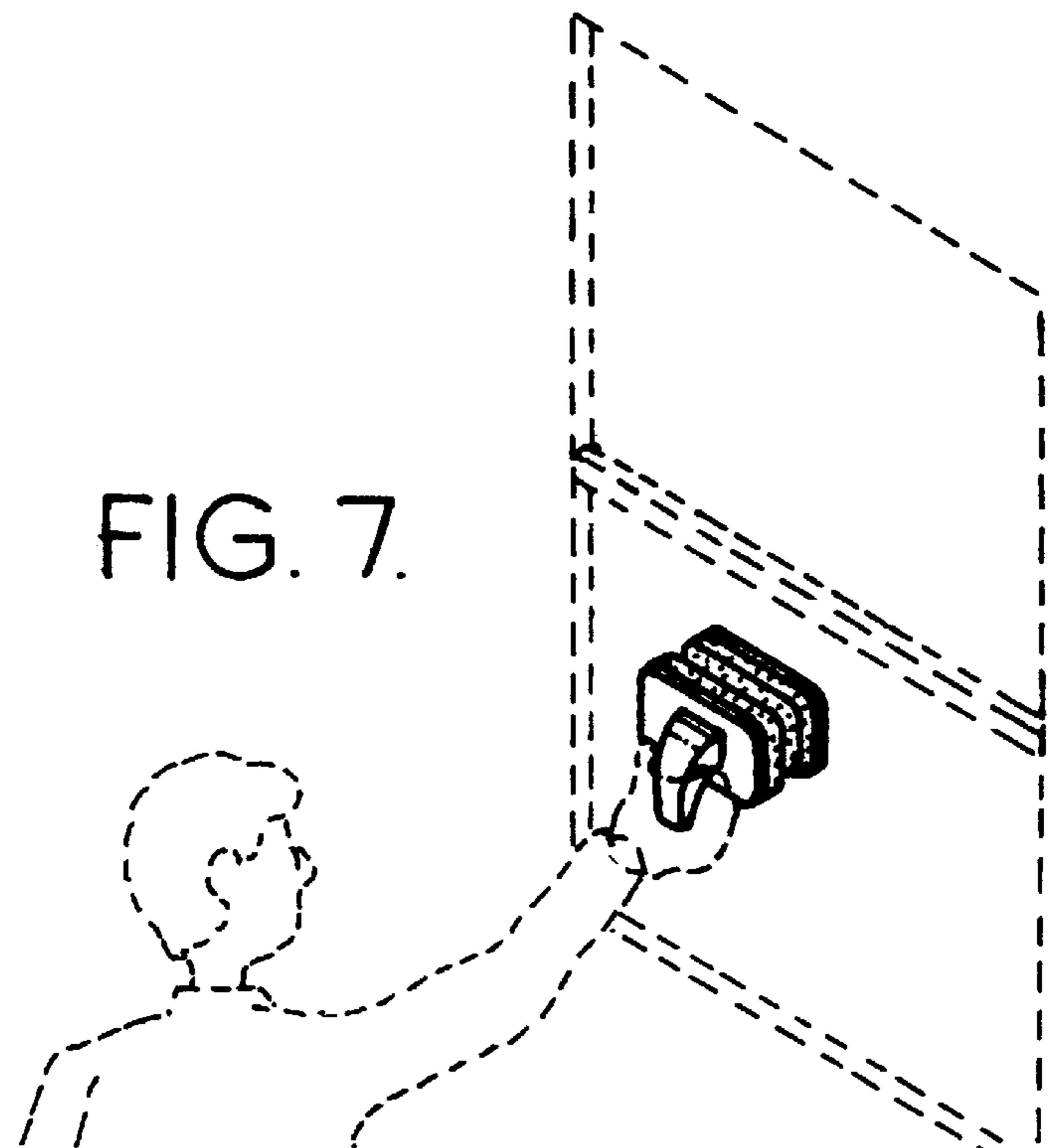


FIG. 7.