



US00D470282S

(12) **United States Design Patent**
Bjork

(10) **Patent No.:** **US D470,282 S**

(45) **Date of Patent:** **** Feb. 11, 2003**

(54) **CLOTHES DRYER EXHAUST HOSE
COUPLER**

(76) **Inventor:** **Philip Bjork**, 35101 Blackfoot St. NW.,
Cambridge, MN (US) 55008

(**) **Term:** **14 Years**

(21) **Appl. No.:** **29/156,493**

(22) **Filed:** **Mar. 1, 2002**

(51) **LOC (7) Cl.** **15-05**

(52) **U.S. Cl.** **D32/25**

(58) **Field of Search** D32/1-3, 5-6,
D32/8, 10, 12, 25, 31; 137/374, 798; 15/DIG. 7;
134/135; 68/3 R; 34/524, 108, 139; D23/265;
384/549

(56) **References Cited**

U.S. PATENT DOCUMENTS

2,373,886	A	*	4/1945	Geiger	137/798
D142,834	S	*	11/1945	Campbell	D23/265
2,774,617	A	*	12/1956	Lanninger	D23/265 X
2,793,920	A	*	5/1957	Haaff	384/549
3,515,171	A	*	6/1970	Riegert	137/798
D300,574	S	*	4/1989	Smith	D32/31
5,890,814	A	*	4/1999	Catlett	384/549
D409,341	S	*	5/1999	Etten et al.	D32/25

* cited by examiner

Primary Examiner—Louis S. Zarfaz
Assistant Examiner—Robert A. Delehanty
(74) *Attorney, Agent, or Firm*—D L Tschida

(57) **CLAIM**

The ornamental design of a clothes dryer exhaust hose coupler, as shown and described.

DESCRIPTION

FIG. 1 is a perspective view of a clothes dryer exhaust hose coupler showing my new design broken away to indicate indeterminate length and partially cut away, it being understood that the fragmentary encircling line pattern represents ribbing and is repeated uniformly throughout the length of the exhaust hose section thereof;

FIG. 2 is an enlarged top plan view of a coupler shown separately for clarity of illustration thereof;

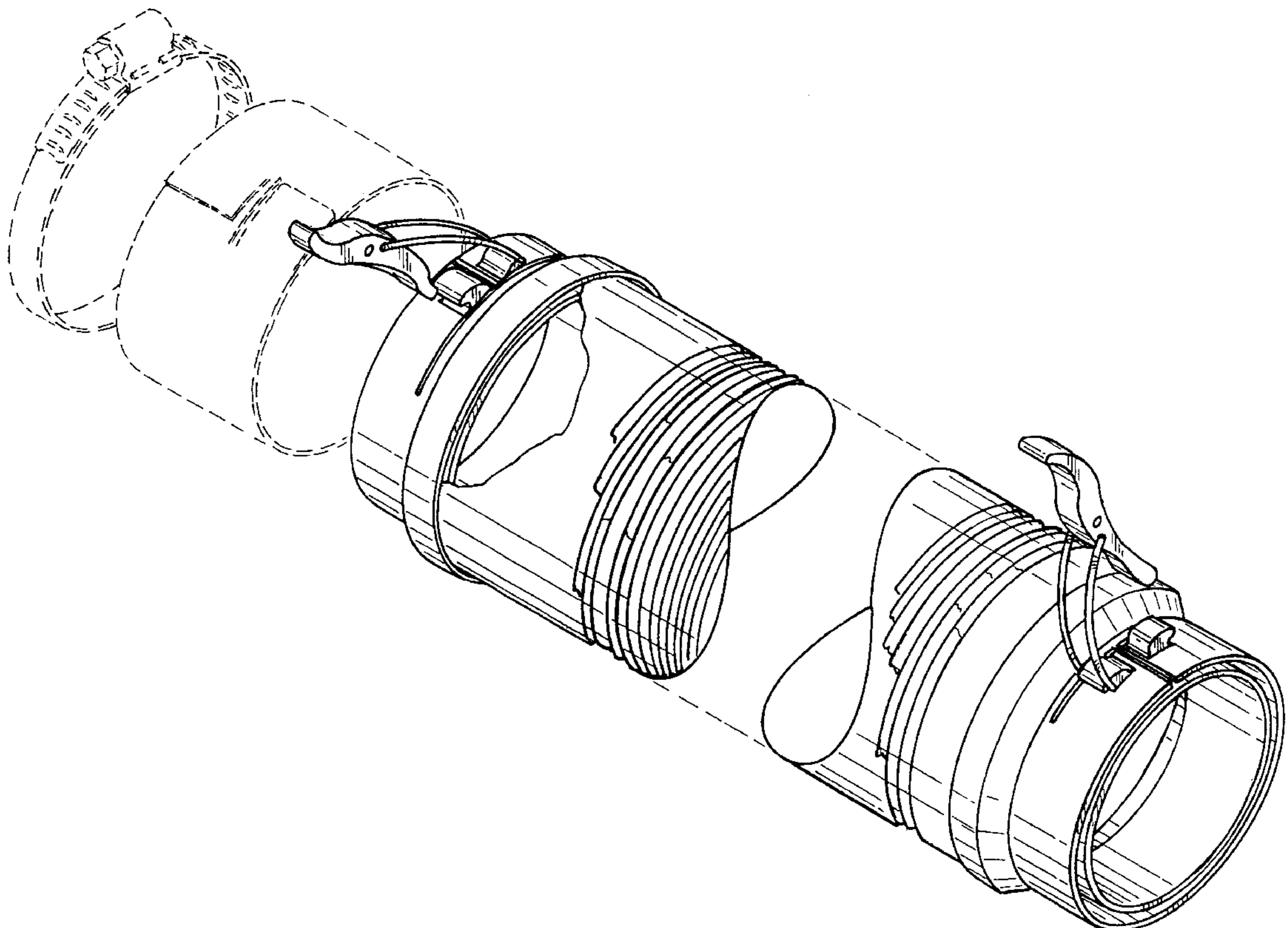
FIG. 3 is an enlarged bottom plan view of a coupler shown separately for clarity of illustration thereof;

FIG. 4 is an enlarged side view of a coupler shown separately without the clamp handle and draw band for clarity of illustration thereof; and,

FIG. 5 is an enlarged opposite side view of a coupler shown separately without the clamp handle and draw band for clarity of illustration thereof.

The broken line showing of the split band bushing is for illustrative purposes only and forms no part of the claimed design.

1 Claim, 4 Drawing Sheets



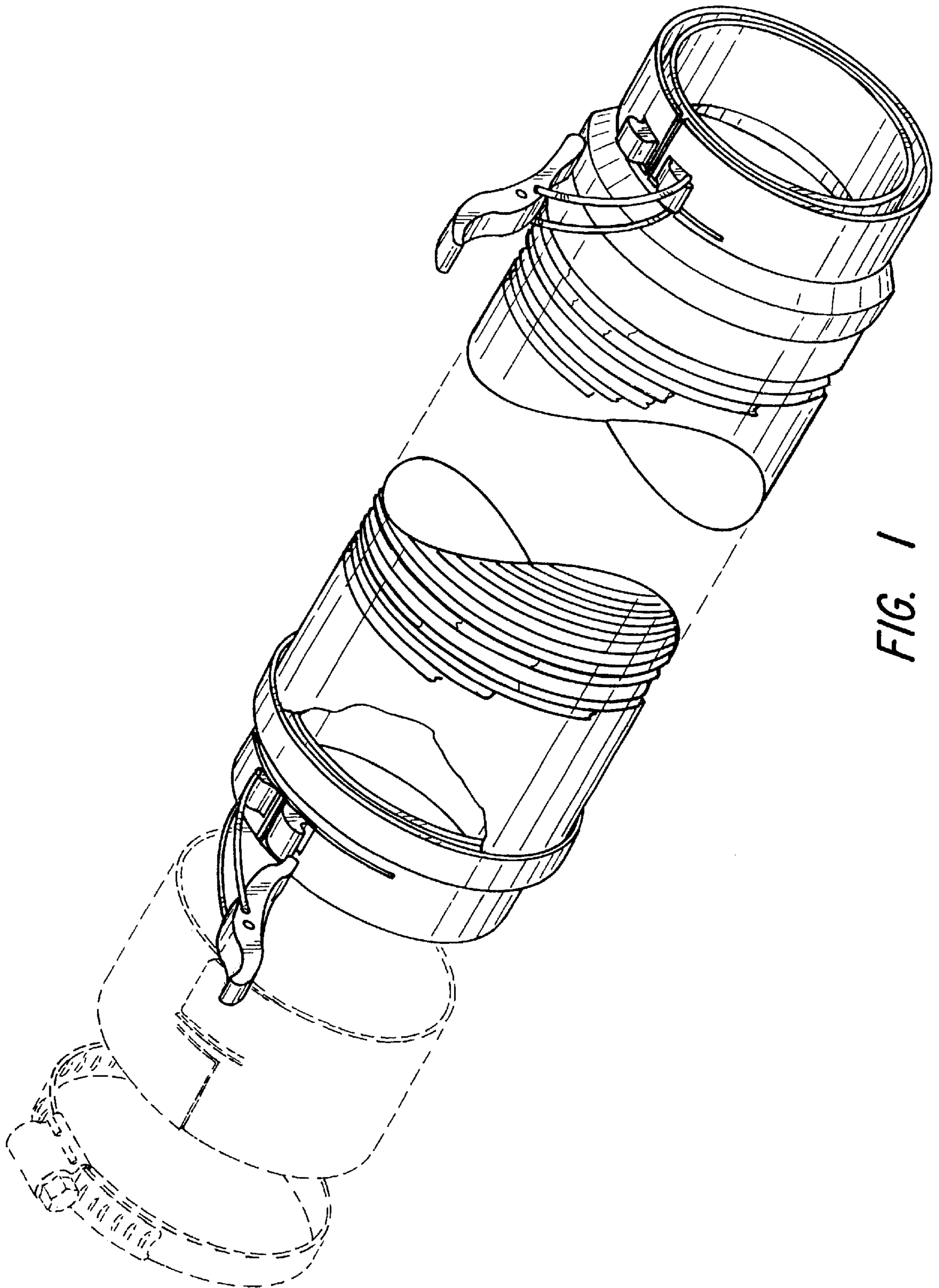


FIG. 1

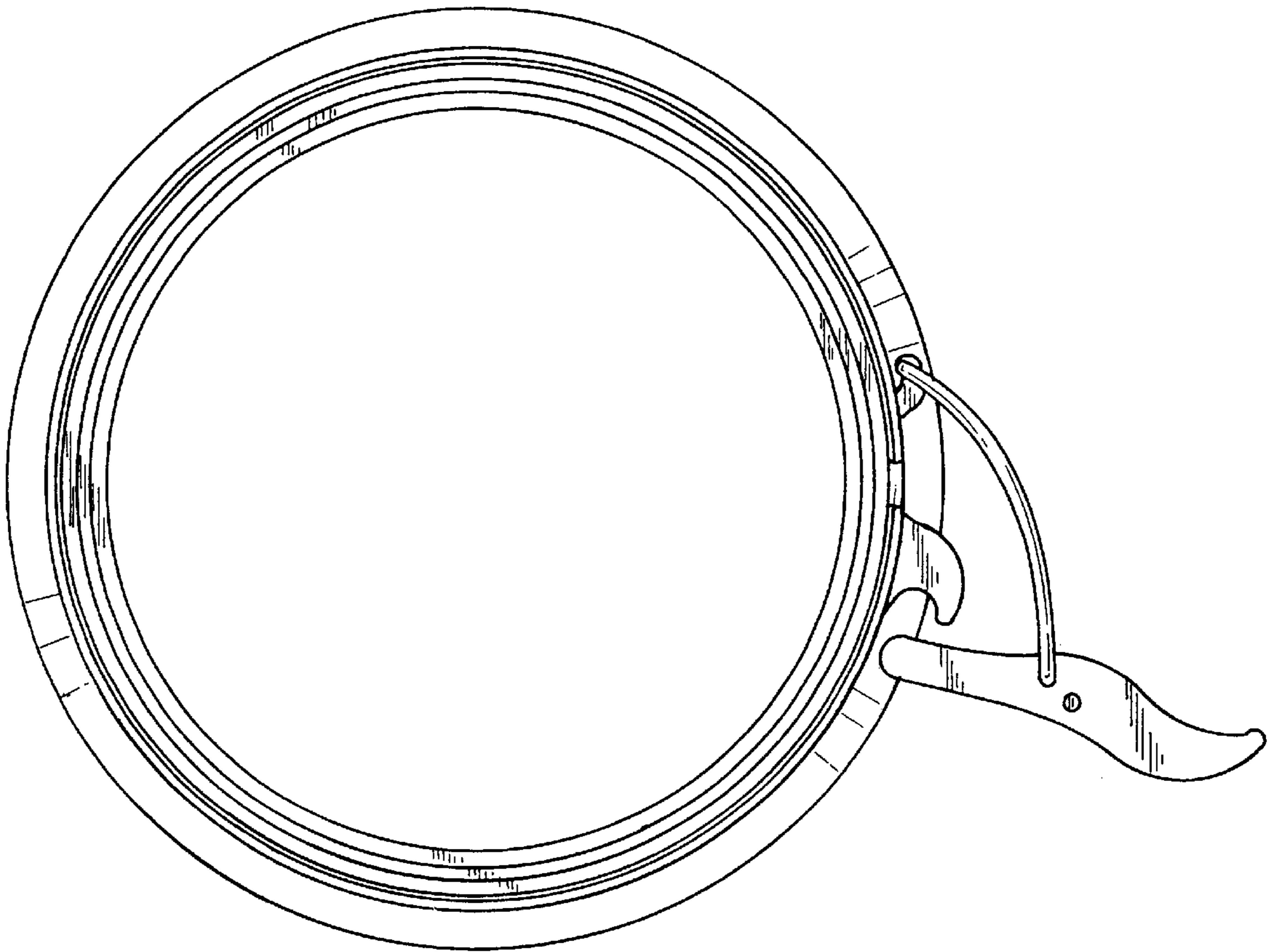


FIG. 2

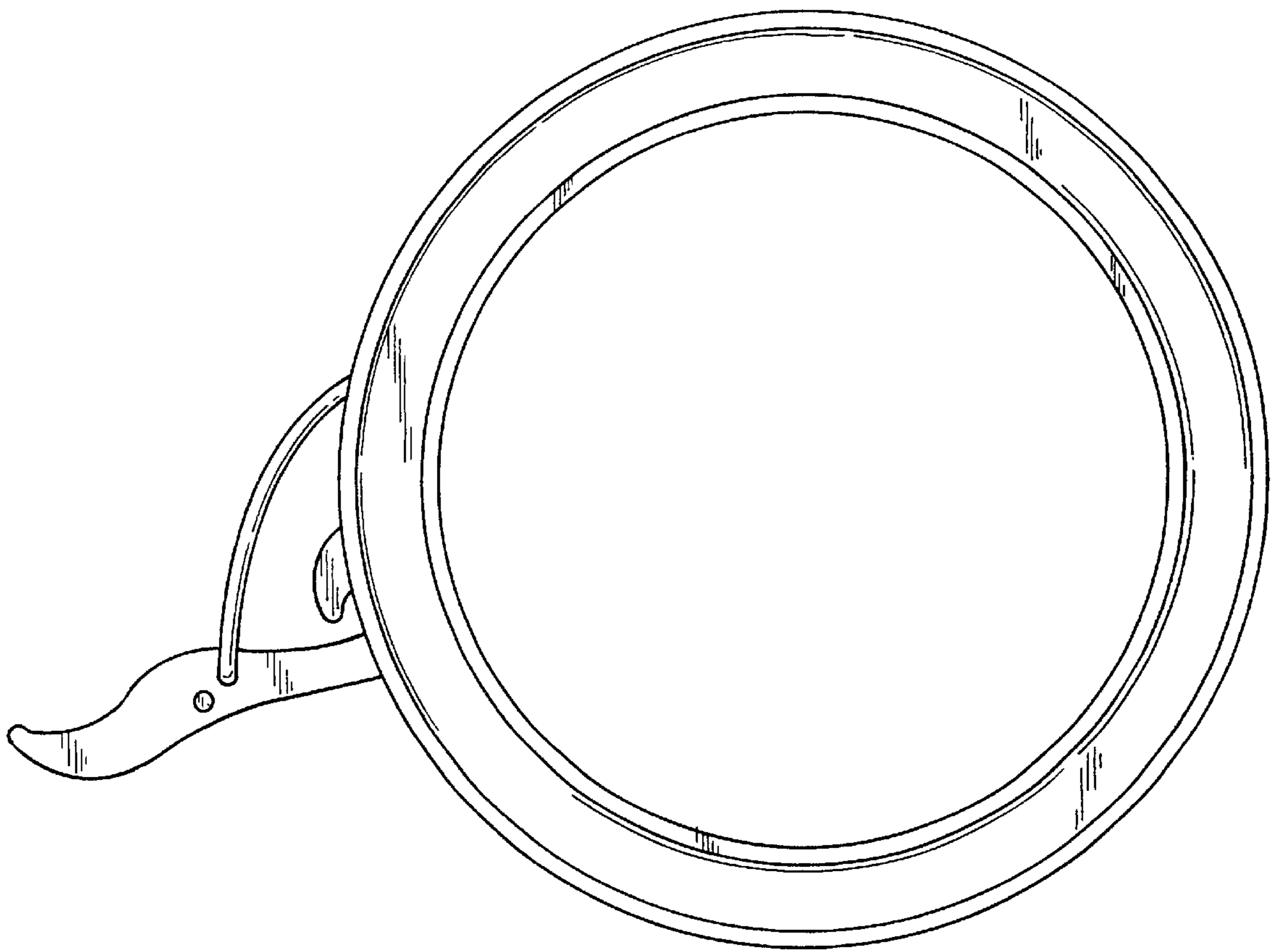


FIG. 3

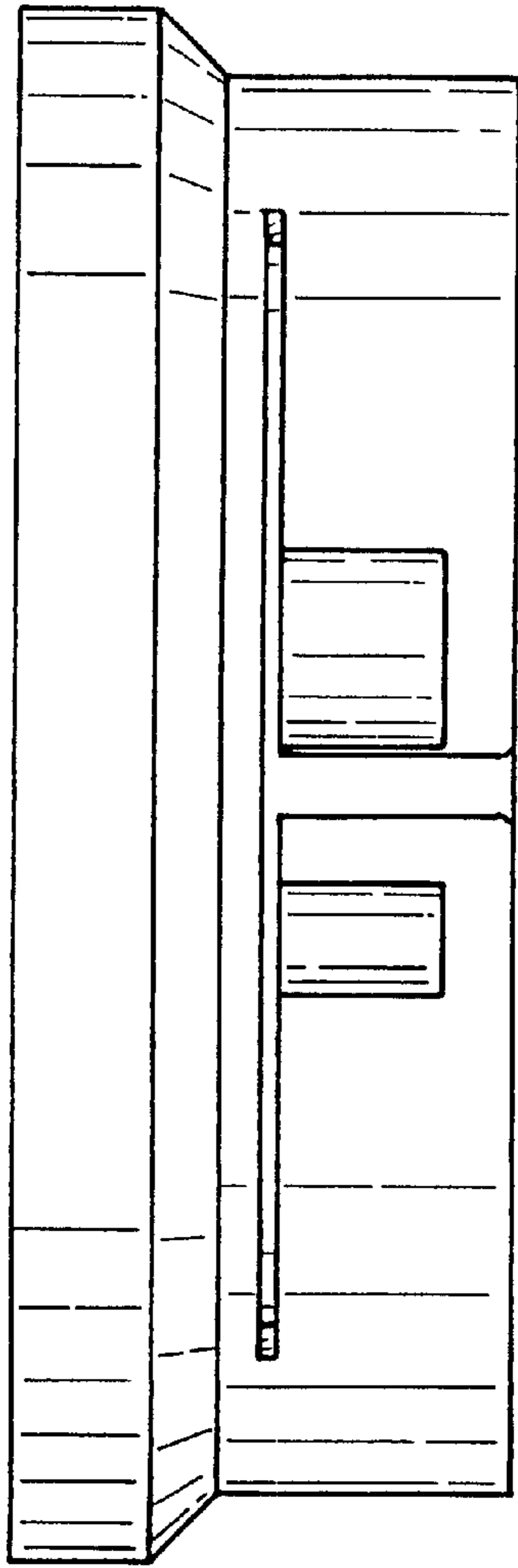


FIG. 4

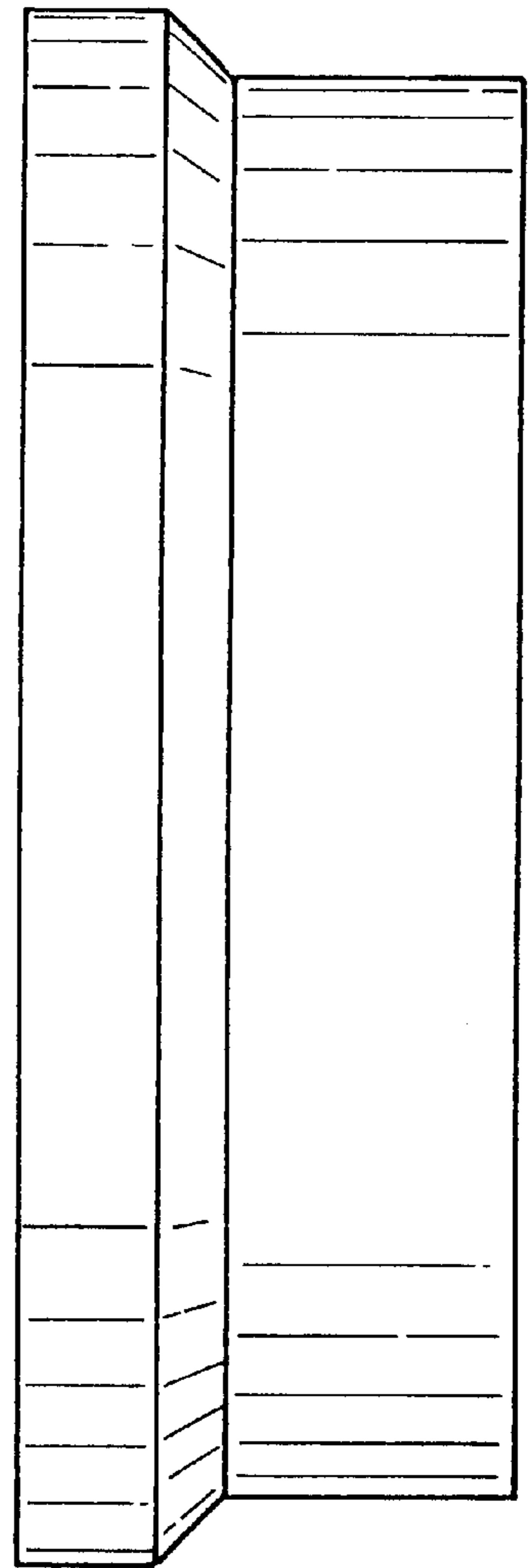


FIG. 5