



US00D470279S

(12) **United States Design Patent** (10) **Patent No.:** **US D470,279 S**
Griffin et al. (45) **Date of Patent:** **** Feb. 11, 2003**

- (54) **VACUUM CLEANER WITH DETACHABLE BLOWER**
- (75) Inventors: **John Griffin**, Phoenix, AZ (US); **Craig A. Seasholtz**, Avis, PA (US); **Robert Lent Crevling**, Cogan Station, PA (US)
- (73) Assignee: **Shop Vac Corporation**, Williamsport, PA (US)
- (**) Term: **14 Years**
- (21) Appl. No.: **29/153,938**
- (22) Filed: **Jan. 14, 2002**
- (51) **LOC (7) Cl.** **15-05**
- (52) **U.S. Cl.** **D32/23**
- (58) **Field of Search** D32/21, 23-24, D32/25, 31; 15/321, 323, 327.1-327.2, 327.4, 327.6-327.7, 412

(56) **References Cited**

U.S. PATENT DOCUMENTS

2,920,337 A	1/1960	Smith	417/423.3
D287,171 S	12/1986	Berfield et al.	32/25
4,797,072 A	1/1989	Berfield et al.	417/423.3

(List continued on next page.)

OTHER PUBLICATIONS

- U.S. patent application Ser. No. 29/141,598, Griffin. May 9, 2001.
- U.S. patent application Ser. No. 29/141,599, Griffin. May 9, 2001.
- U.S. patent application Ser. No. 29/141,600, Griffin, et al. May 9, 2001.
- U.S. patent application Ser. No. 29/153,961, Griffin, et al. Jan. 14, 2002.
- U.S. patent application Ser. No. 29/154,005, Griffin, et al. Jan. 14, 2002.
- U.S. patent application Ser. No. 29/154,025, Griffin, et al. Jan. 14, 2002.
- U.S. patent application Ser. No. 29/154,018, Griffin, et al. Jan. 14, 2002.

- SHOP-VAC Brochure, QSP Series, Quiet Super Power Wet/Dry Vacs, Model Nos. 900-80 thru 900-84, dated Aug. 1993.
- SHOP-VAC Brochure, 707 Series Super Performance Wet/Dry Vacs, Model No. 707-10, dated Mar. 1991.
- SHOP-VAC Brochure, QSP Series—Quiet Super Performance Wet/Dry Vacs, Models 900-86 and 900-87, dated Aug. 1993.
- SHOP-VAC Brochure, QSP Series—Quiet Super Power Wet/Dry Vacs, Model No. 900-29, dated Aug. 1993.
- SHOP-VAC Brochure, Series 914—Quiet Super Performance Wet/Dry Vacs Model Nos. 914-15 and 914-27, dated Apr. 1997.
- SHOP-VAC Brochure, FLOORMASTER, Wet & Dry Cleaning System, Model No. 909-50, dated Jan. 1989.
- SHOP-VAC Brochure, The QSP Line of Wet/Dry Vacs from Shop Vac, dated 1994.
- SHOP-VAC Brochure, ALL AROUND Vac, dated 1997.
- SHOP-VAC Brochure, QSP PRO, dated 1998.
- SHOP-VAC Brochure, QPV, dated 1997.
- SHOP-VAC Brochure, 1X1 Wet/Dry Vac, dated 1997.
- Karcher Catalogue, High Performance Wet and Dry Vacuums, Dust Extraction and Spray Extraction Machines, dated 1999.

Primary Examiner—Ruth McInroy
(74) *Attorney, Agent, or Firm*—Marshall, Gerstein & Borun

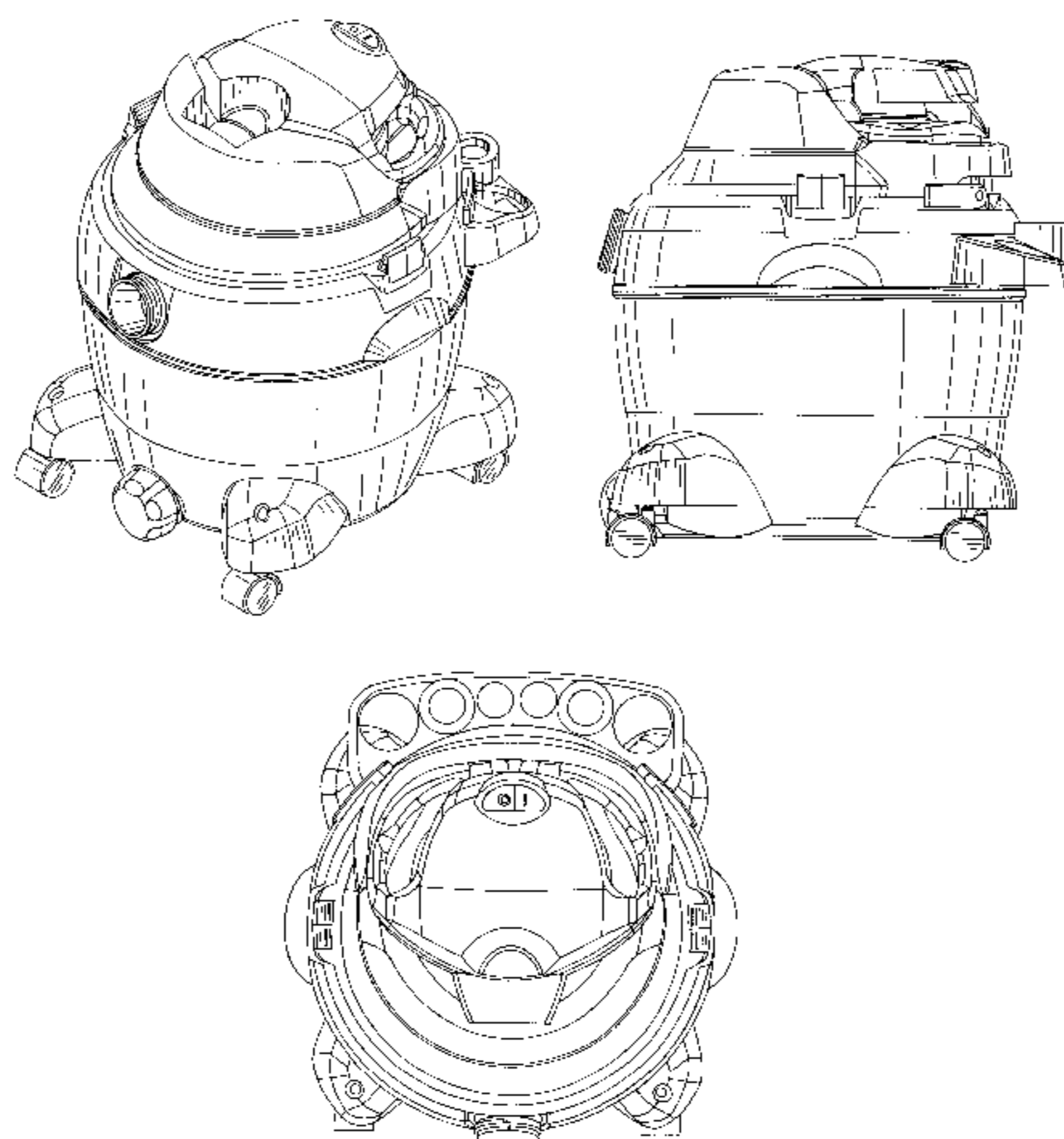
(57) **CLAIM**

The ornamental design for a vacuum cleaner with detachable blower, as shown and described.

DESCRIPTION

- FIG. 1 is a left side perspective view of a vacuum cleaner with detachable blower taken from the front and above showing our new design;
- FIG. 2 is a front view thereof;
- FIG. 3 is a left elevational view, the right elevational view being a mirror image thereof;
- FIG. 4 is a rear view thereof; and,
- FIG. 5 is a top plan view thereof.

1 Claim, 5 Drawing Sheets



US D470,279 S

Page 2

U.S. PATENT DOCUMENTS

4,836,753 A	6/1989	Berfield et al.	417/236	6,055,700 A	5/2000	Holsten, et al.	15/327.2
4,880,364 A	11/1989	Berfield	417/423.3	D429,042 S	8/2000	Griffin et al.	32/23
4,947,513 A	8/1990	Everts	15/330	D429,855 S	8/2000	Griffin	32/23
D315,624 S	3/1991	Kimura et al.	32/23	D429,857 S	8/2000	Griffin	32/23
5,144,716 A	9/1992	Watanabe et al.	15/323	D430,367 S	8/2000	Griffin	32/23
D357,336 S	4/1995	Moine et al.	32/23	D430,713 S	9/2000	Griffin	32/23
D357,773 S	4/1995	Wareham et al.	32/23	D438,353 S	2/2001	Hoshino et al.	32/23
5,404,614 A	4/1995	Stephens	15/327.2	D438,678 S	3/2001	Griffin	32/21
D358,010 S	5/1995	Berfield et al.	32/23	D439,710 S	3/2001	Griffin	32/31
D361,179 S	8/1995	Moine et al.	32/23	D444,274 S	6/2001	Griffin	32/15
D362,091 S	9/1995	Tomasiak et al.	32/23	D444,276 S	6/2001	Griffin	32/31
D372,567 S	8/1996	Moine et al.	32/23	D445,548 S	7/2001	Griffin	32/21
D373,862 S	9/1996	Stephens et al.	32/23	D445,549 S	7/2001	Griffin	32/31
D378,152 S	2/1997	deBlois et al.	32/21	D446,892 S	8/2001	Griffin	32/23
5,606,769 A	3/1997	Tomasiak et al.	15/327.6	D447,292 S	8/2001	Griffin	32/23
D383,575 S	9/1997	Griffin	32/23	D447,293 S	8/2001	Griffin	32/23
D384,448 S	9/1997	Stephens et al.	32/23	D447,842 S	9/2001	Griffin	32/23
D388,565 S	12/1997	Pietrobon	32/23	D447,843 S	9/2001	Griffin	32/23
D389,962 S	1/1998	Berfield et al.	32/23	D447,844 S	9/2001	Griffin	32/31
D395,119 S	6/1998	Berfield et al.	34/23	D452,052 S	12/2001	Griffin	32/23
5,768,749 A	6/1998	Ohi et al.	15/405	6,324,721 B2	12/2001	Doragrip	15/326
5,943,731 A	8/1999	Wood	15/323	D454,672 S	3/2002	Griffin	32/23
D418,264 S	12/1999	Rees	32/19	D460,230 S	* 7/2002	Griffin	D32/31

* cited by examiner

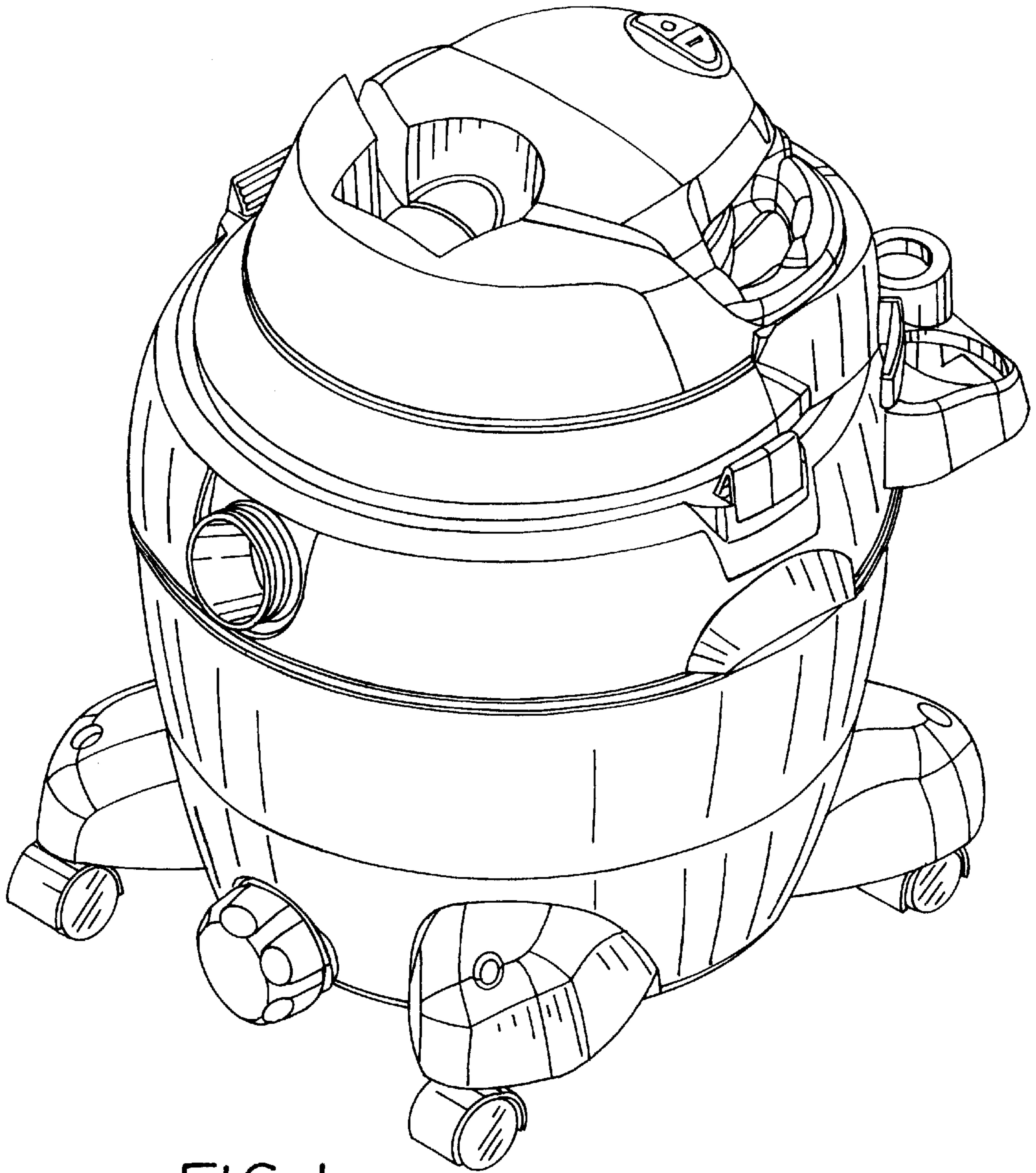


FIG. 1

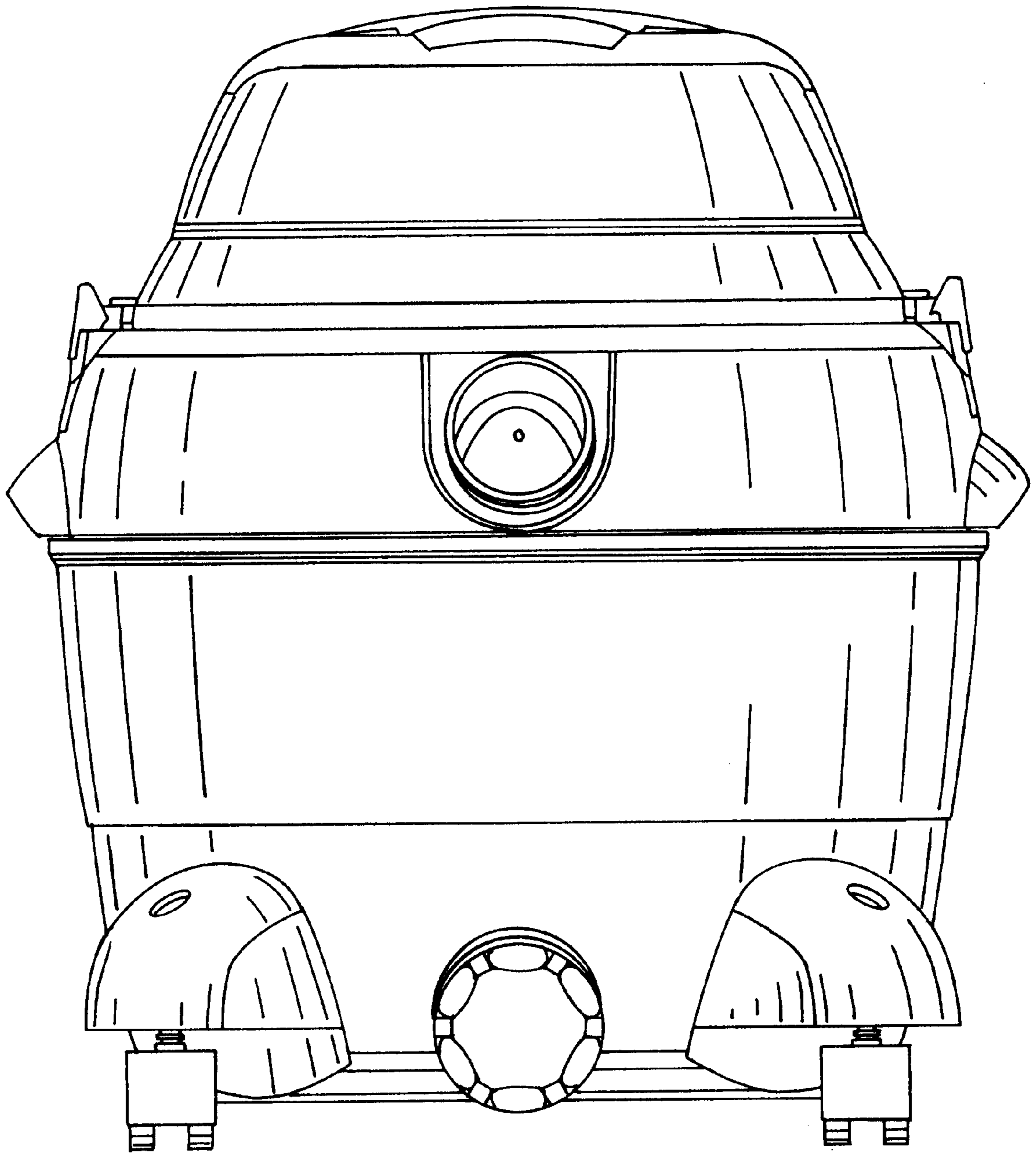


FIG. 2

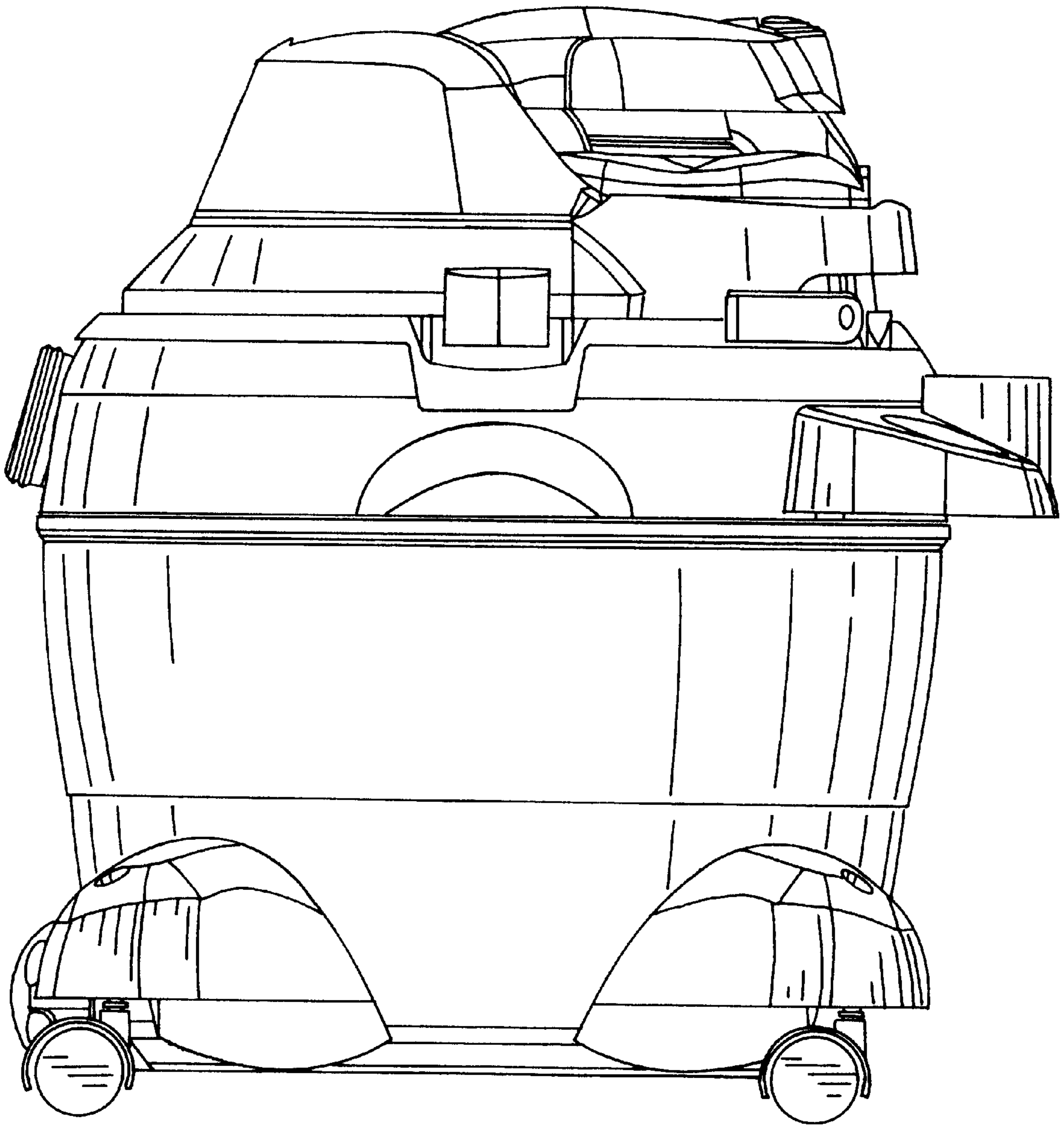


FIG. 3

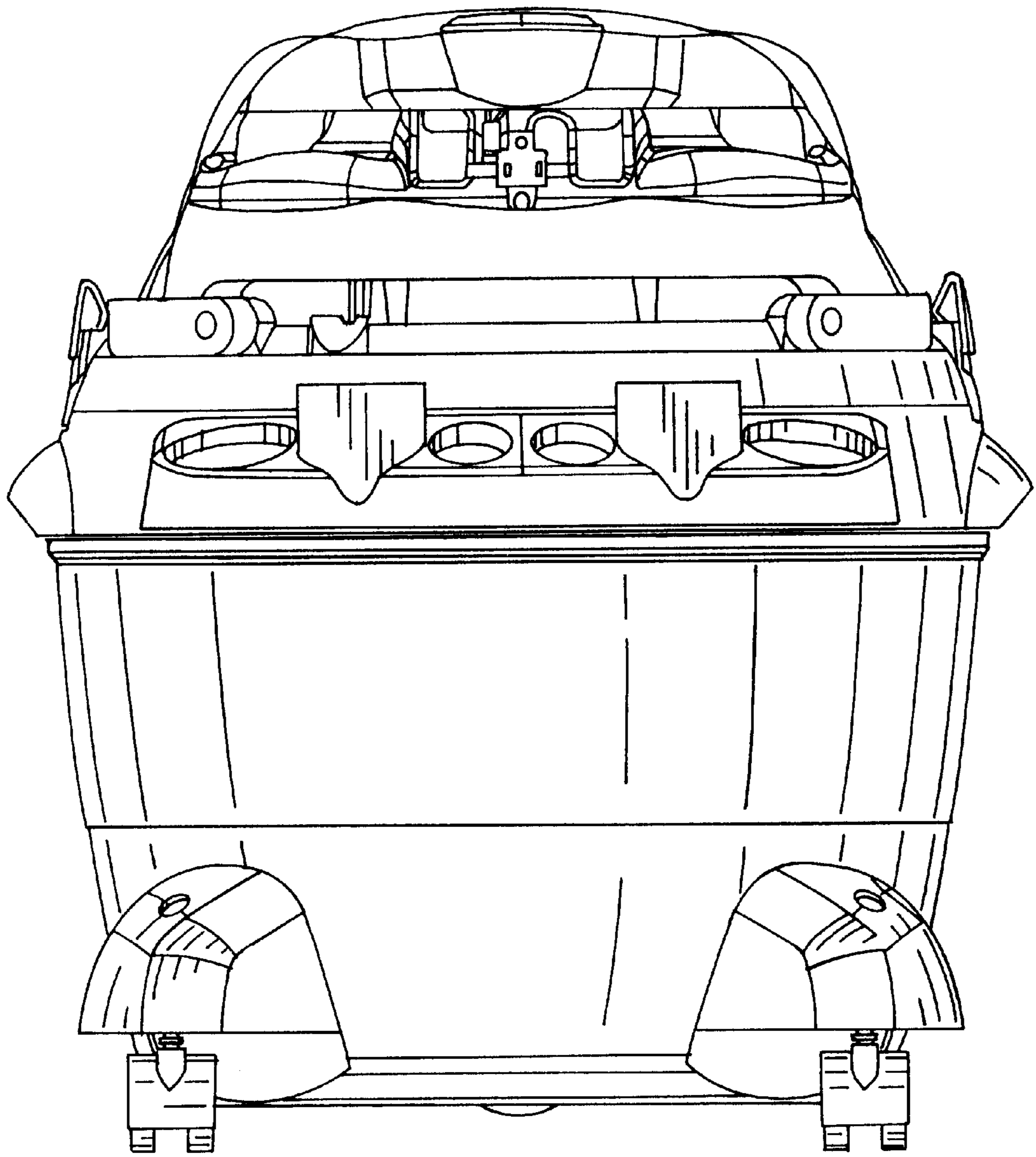


FIG. 4

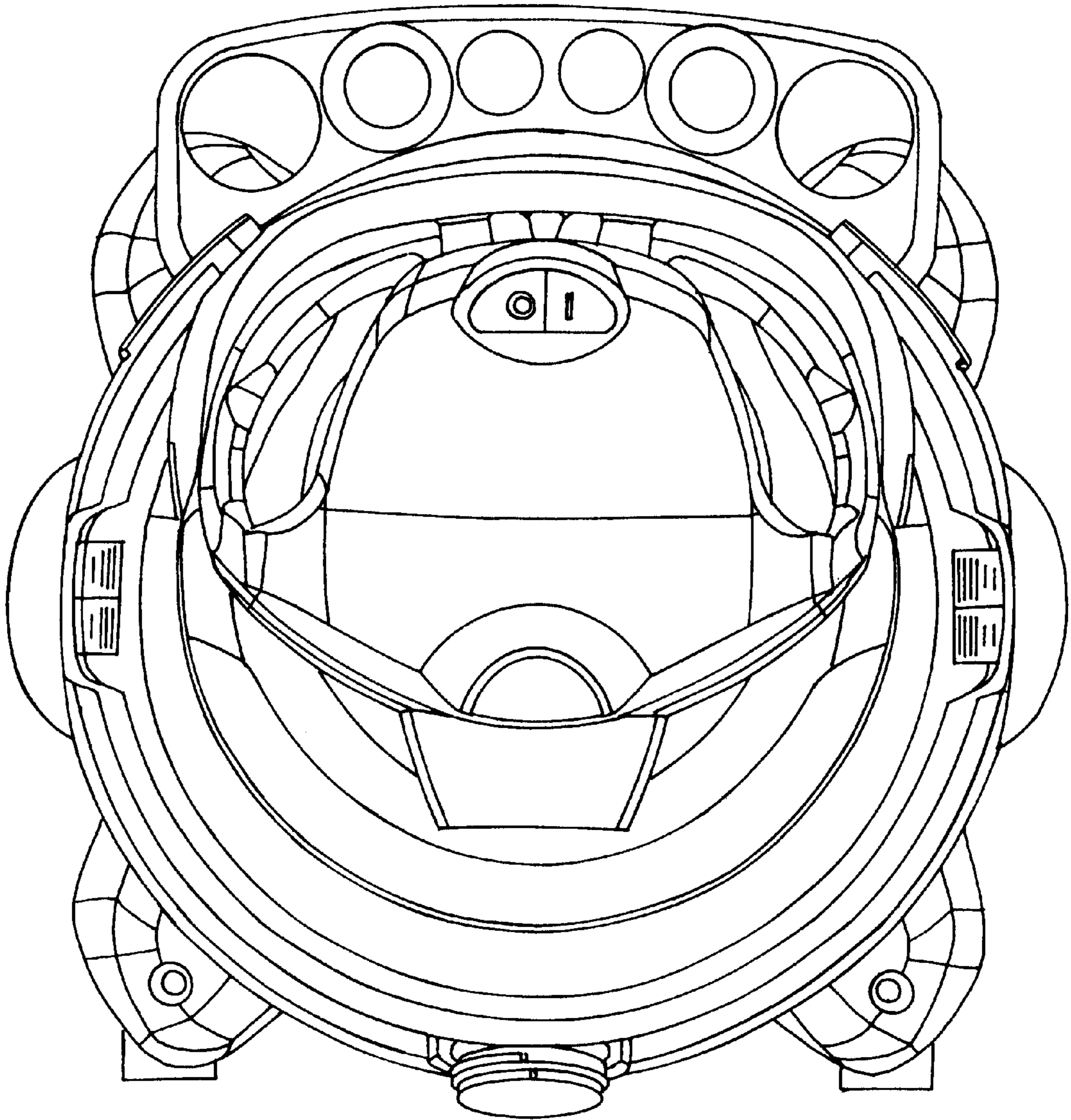


FIG. 5