



US00D470278S

(12) **United States Design Patent**
Liang-Ming

(10) **Patent No.:** **US D470,278 S**

(45) **Date of Patent:** **** Feb. 11, 2003**

(54) **WAXING AND POLISHING DEVICE**

D414,666 S * 10/1999 Cortes D8/62
D432,744 S 10/2000 Schuda et al. D32/19

(76) Inventor: **Hong Liang-Ming**, 138 Huang Yang
Shan Road, Wenling, Zhejiang (CN),
317500

* cited by examiner

(**) Term: **14 Years**

Primary Examiner—Nelson C. Holtje
(74) *Attorney, Agent, or Firm*—Myers Dawes & Andras;
Vic Y. Lin; Joseph C. Andras

(21) Appl. No.: **29/156,501**

(57) **CLAIM**

(22) Filed: **Mar. 1, 2002**

I claim the ornamental design for the waxing and polishing
device, as shown and described.

(51) **LOC (7) Cl.** **15-05**

(52) **U.S. Cl.** **D32/15**

(58) **Field of Search** D32/1, 15, 19;
D8/61-70; 15/97.1, DIG. 10; 451/353-360,
344

DESCRIPTION

(56) **References Cited**

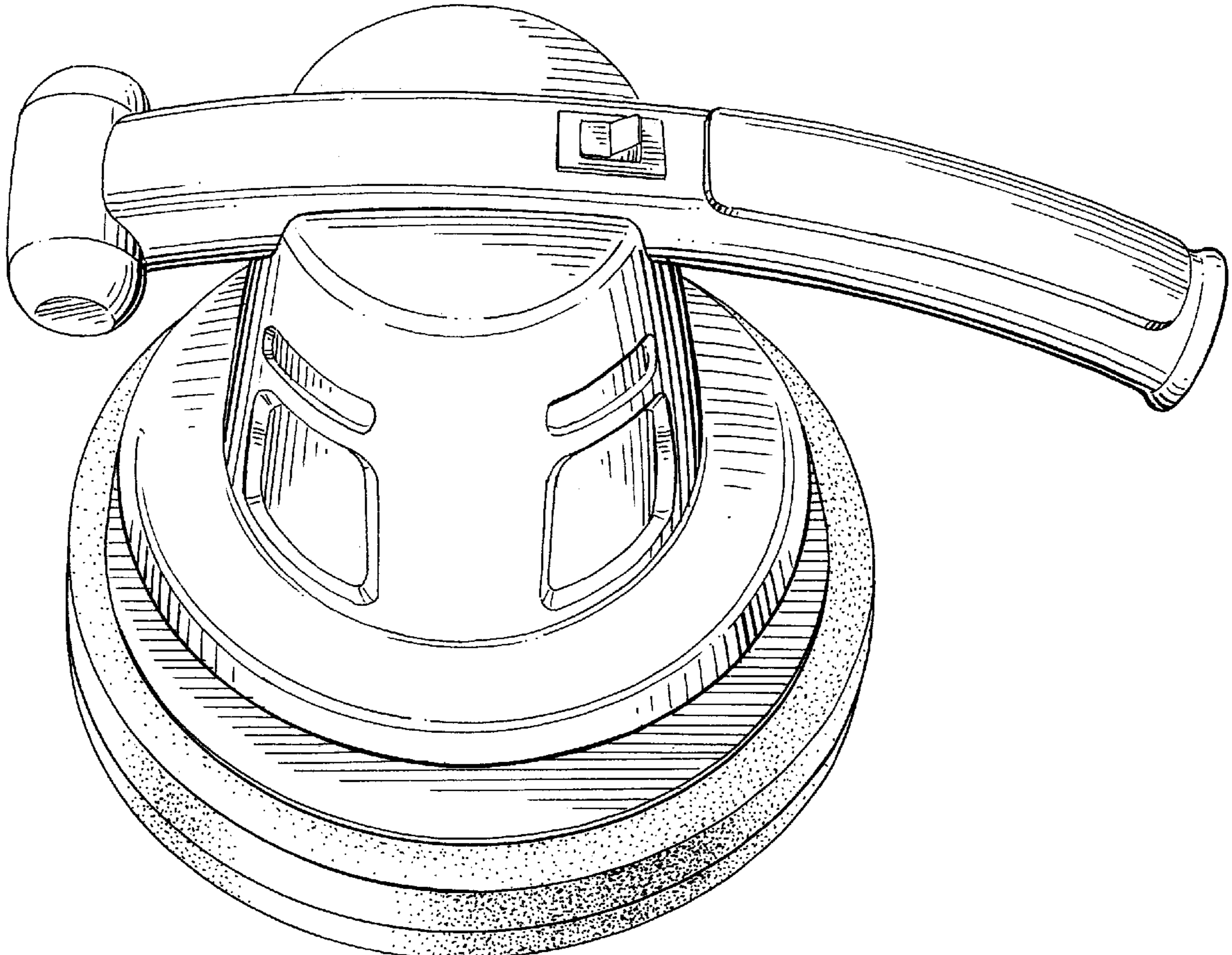
U.S. PATENT DOCUMENTS

- D179,799 S * 3/1957 Ernest D8/62
- 3,345,784 A * 10/1967 Stelljes 451/357
- 3,793,776 A * 2/1974 Sadow, Jr. et al. 451/357
- D273,173 S 3/1984 Poon D8/62
- D312,714 S 12/1990 Simonelli et al. D32/19
- D314,125 S * 1/1991 Ogawa et al. D8/62
- D380,950 S * 7/1997 Gildersleeve et al. D8/62
- D391,778 S * 3/1998 Cretcher D6/379

FIG. 1 is a top perspective view of a waxing and polishing
device;
FIG. 2 is a front view of the waxing and polishing device;
FIG. 3 is a right side view of the waxing and polishing
device; the left side view of which is a mirror image;
FIG. 4 is a rear view of the waxing and polishing device;
and,
FIG. 5 is a bottom plan view of the waxing and polishing
device.

The broken line showing of a power cord is for illustrative
purposes only and forms no part of the claimed design.

1 Claim, 5 Drawing Sheets



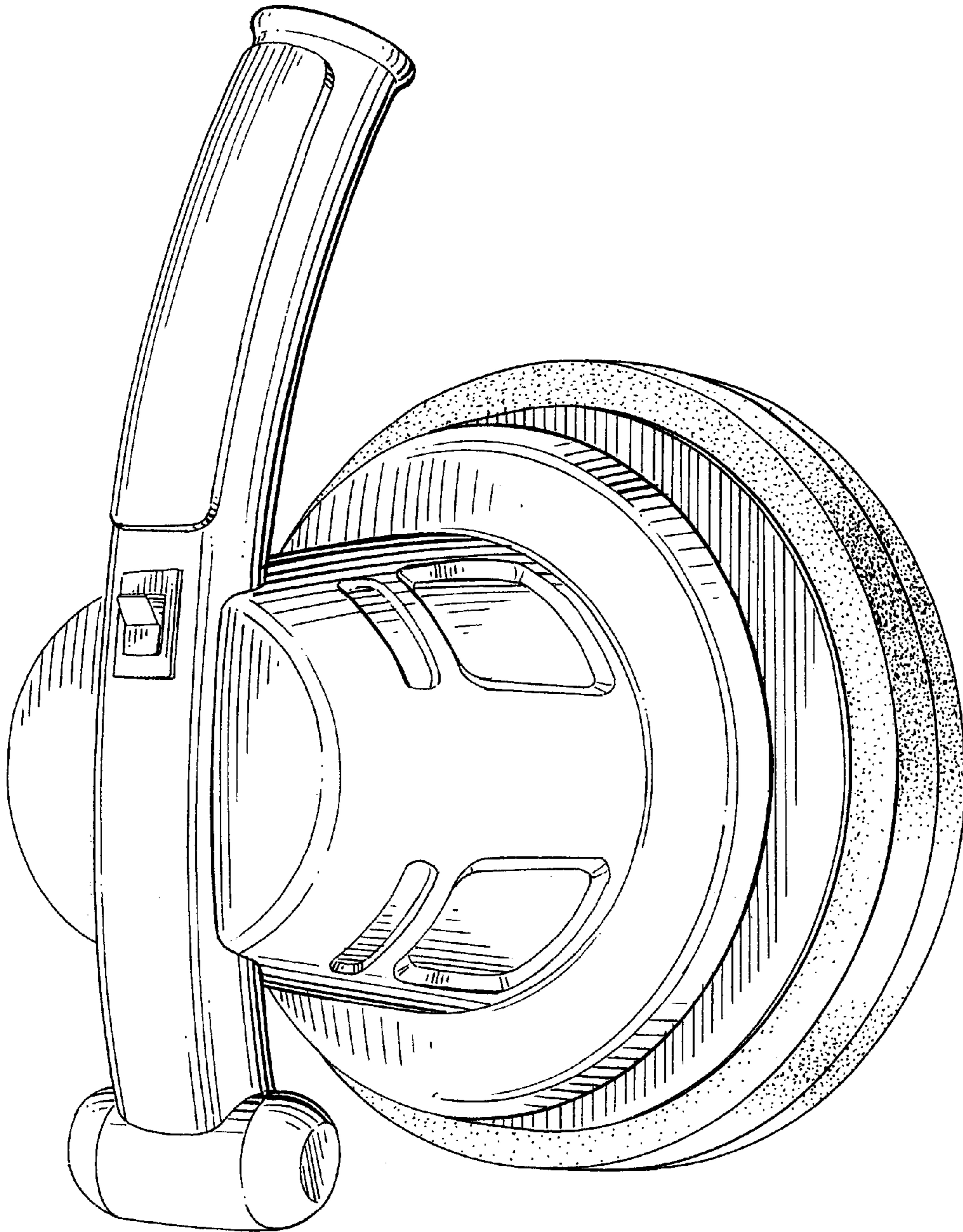


FIG. 1

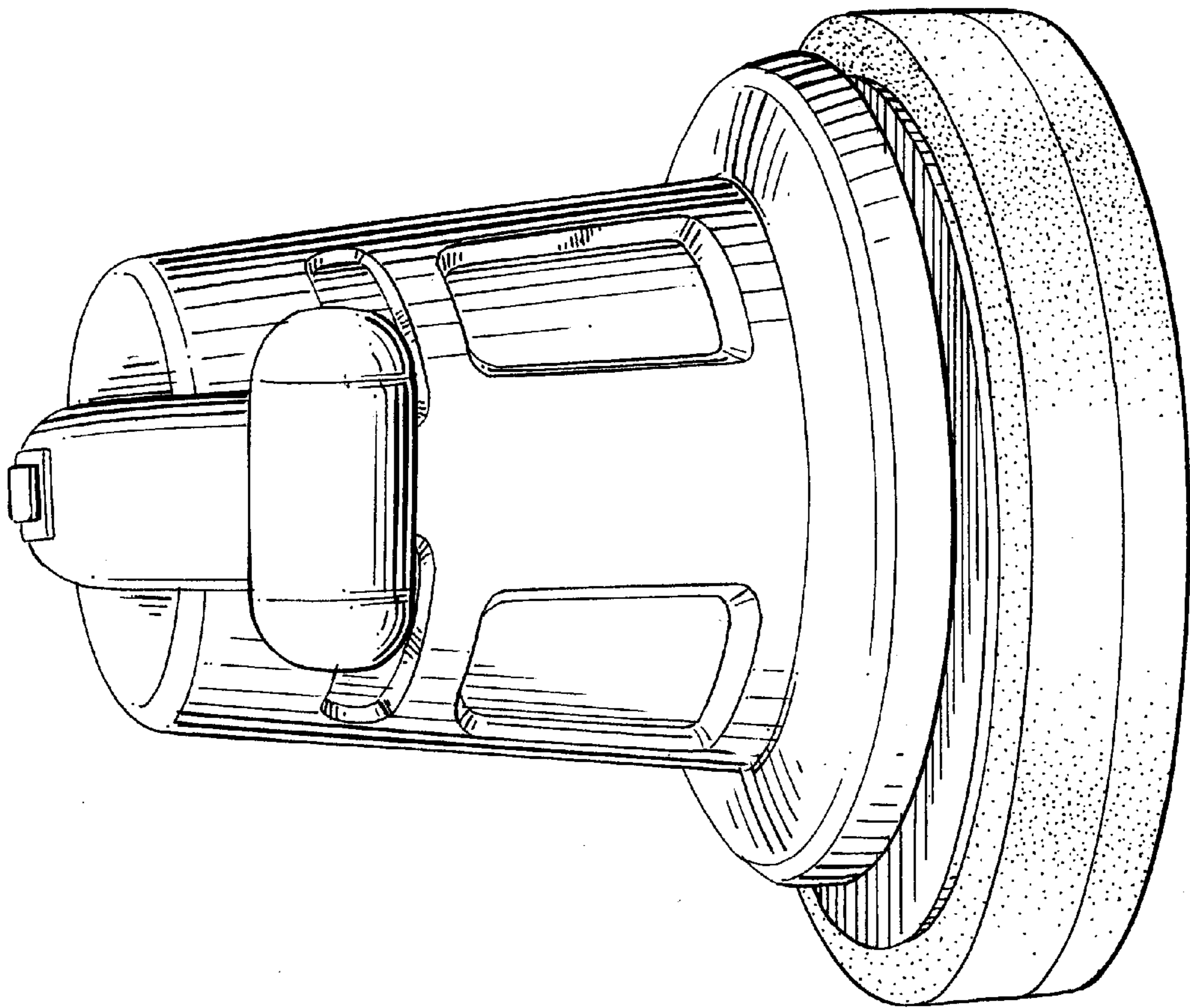


FIG. 2

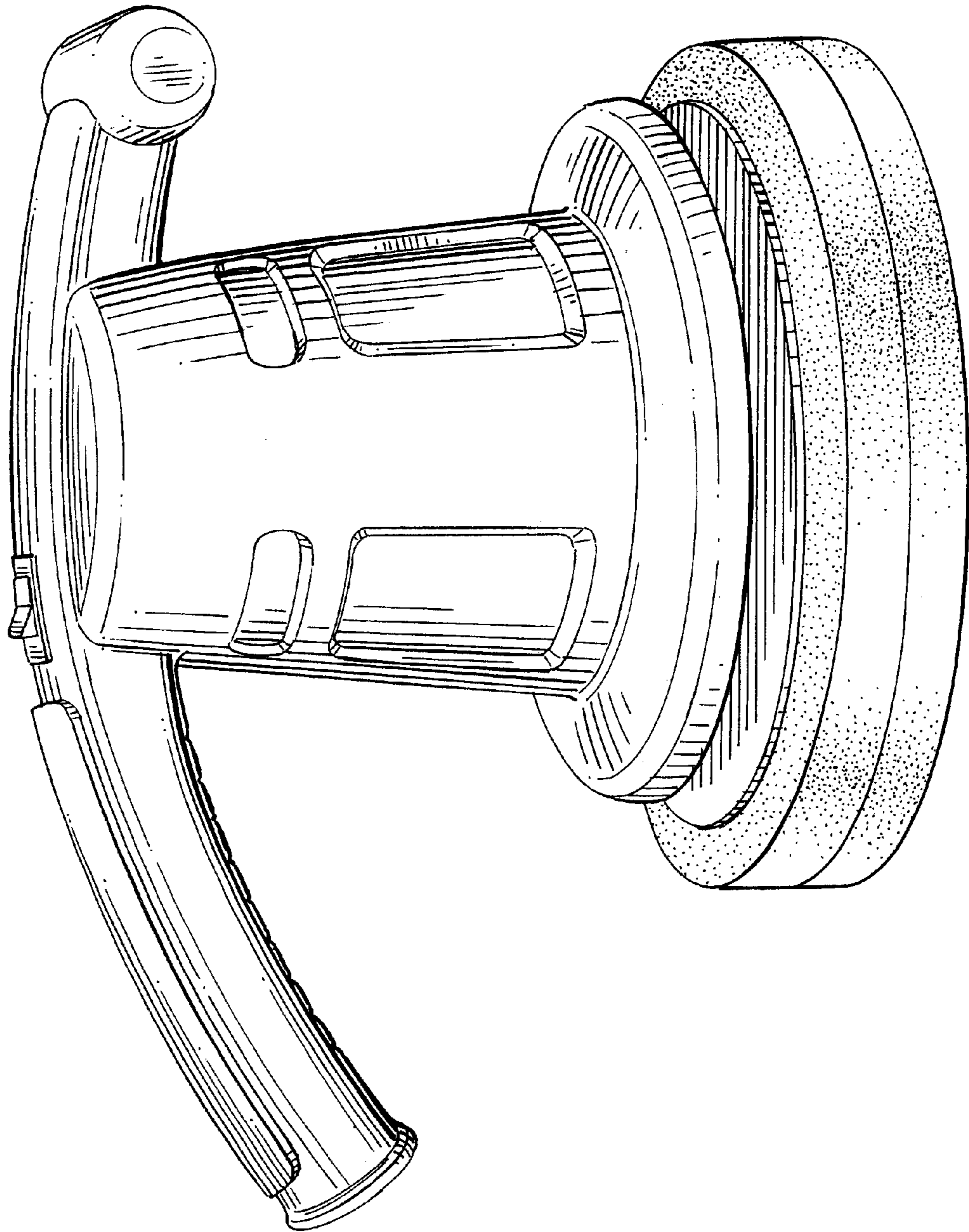


FIG. 3

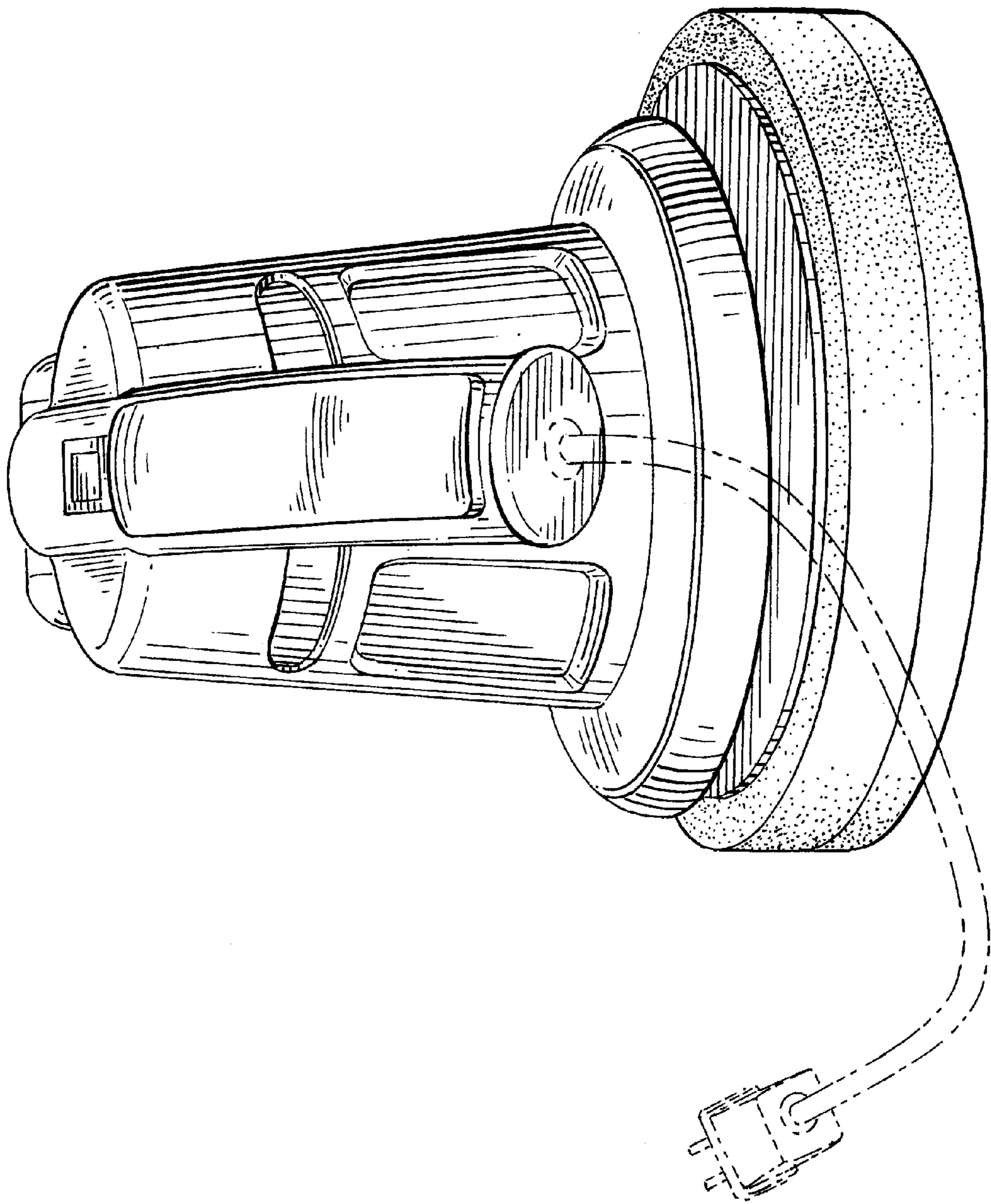


FIG. 4

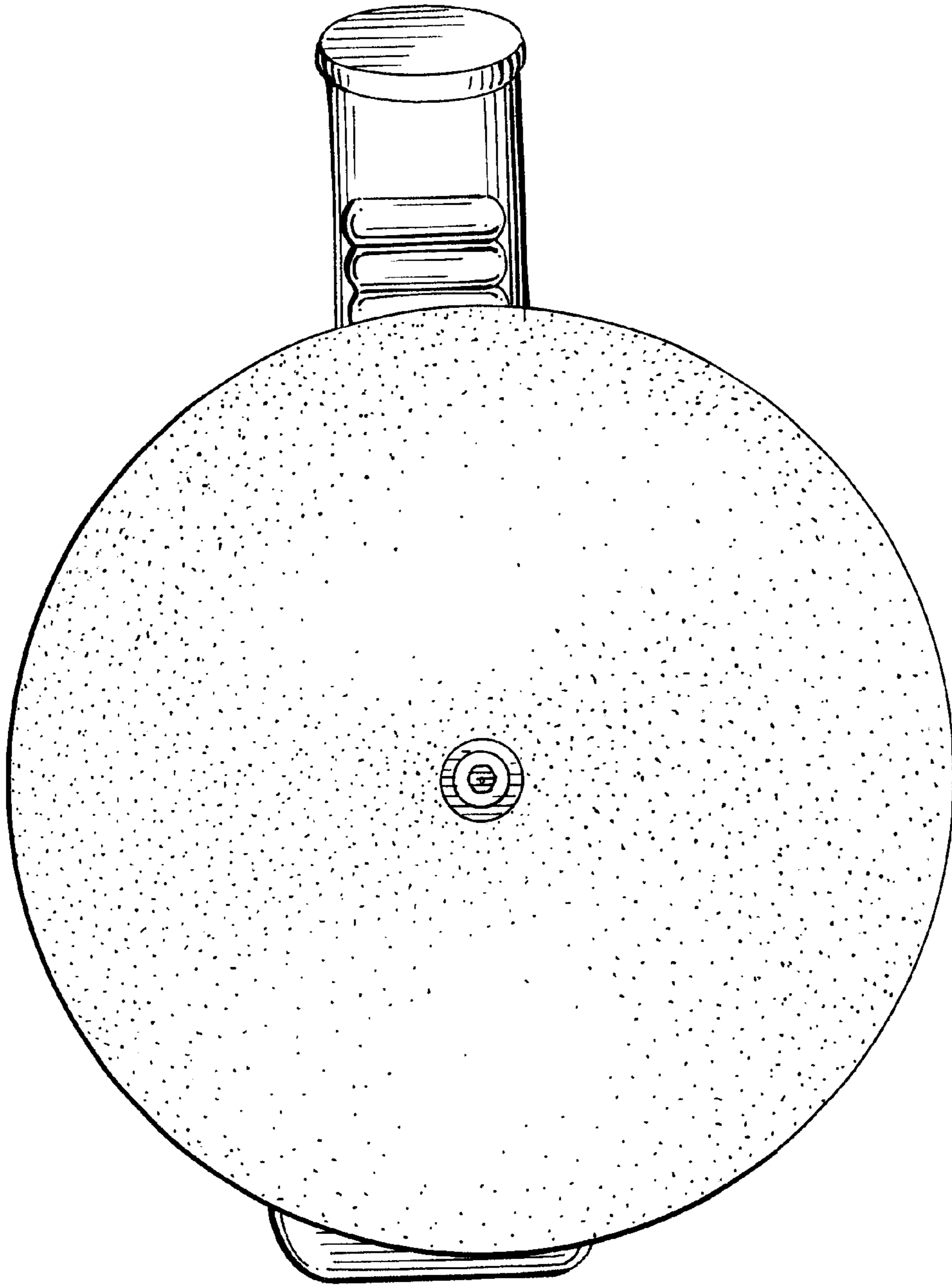


FIG. 5