



US00D470273S

(12) **United States Design Patent**  
**Revivo**

(10) **Patent No.:** **US D470,273 S**

(45) **Date of Patent:** **\*\* Feb. 11, 2003**

(54) **MAKE-UP CASE**

**FOREIGN PATENT DOCUMENTS**

(75) Inventor: **Rina Revivo**, Sherman Oaks, CA (US)

JP 10295437 A \* 11/1998 ..... A45D/33/00

(73) Assignee: **Spa De Soleil, Inc.**, Sun Valley, CA (US)

\* cited by examiner

(\*\*) Term: **14 Years**

*Primary Examiner*—Ted Shooman

*Assistant Examiner*—C. Tuttle

(21) Appl. No.: **29/159,319**

(74) *Attorney, Agent, or Firm*—Thomas I. Rozsa; Tony D. Chen

(22) Filed: **Apr. 17, 2002**

(57) **CLAIM**

(51) **LOC (7) Cl.** ..... **28-02**

The ornamental design for a make-up case, as shown and described.

(52) **U.S. Cl.** ..... **D28/76; D28/82; D28/91**

(58) **Field of Search** ..... D28/76, 77, 82, D28/91; D9/503, 504; 132/286–318; 206/235, 581, 823; 220/DIG. 26

**DESCRIPTION**

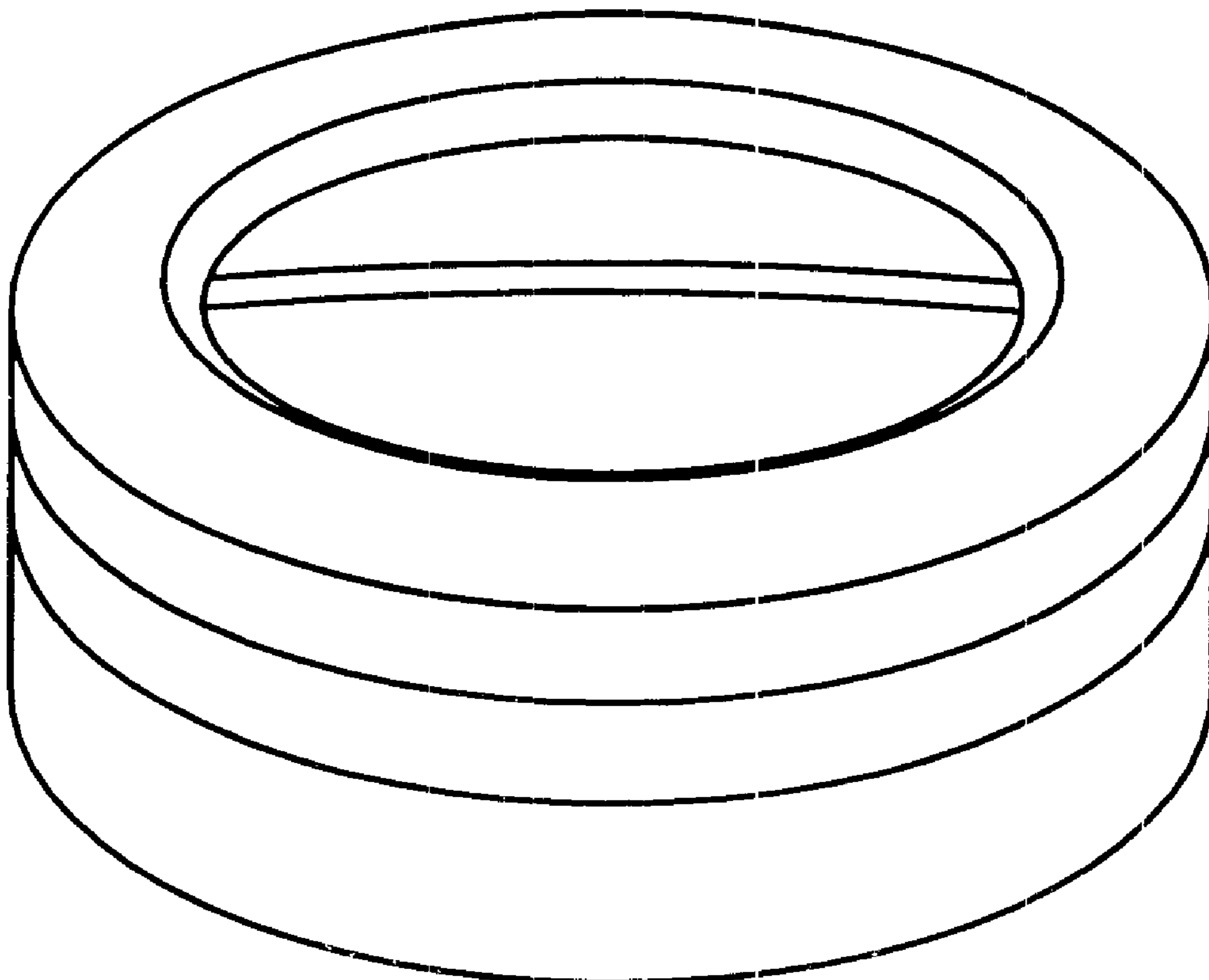
(56) **References Cited**

**U.S. PATENT DOCUMENTS**

1,524,812	A	*	2/1925	Boyd et al.	.....	132/297
1,587,009	A	*	6/1926	Bobbé	.....	132/293
D118,920	S	*	2/1940	Trevisan	.....	D9/504
2,579,490	A	*	12/1951	Gordon	.....	206/823 X
D197,923	S	*	4/1964	Caprioli	.....	D9/424
3,206,016	A	*	9/1965	Fowle et al.	.....	D9/504 X
D217,438	S	*	5/1970	Ballbach et al.	.....	D9/504
D254,180	S	*	2/1980	Morin	.....	D9/520 X
D274,848	S	*	7/1984	Chevassus	.....	D28/76
D373,220	S	*	8/1996	Lund et al.	.....	D28/77
H1855	H	*	8/2000	Litton et al.	.....	D28/82

FIG. 1 is a perspective view of a make-up case, in the closed condition, showing my new design;  
 FIG. 2 is a top plan view;  
 FIG. 3 is a bottom plan view;  
 FIG. 4 is a side elevational view;  
 FIG. 5 is a bottom plan view of the top section of the make-up case when opened;  
 FIG. 6 is a side elevational view of the top section of the make-up case;  
 FIG. 7 is top plan view of the bottom section of the make-up case when in the opened condition; and,  
 FIG. 8 is a side elevational view of the bottom section of the make-up case in the opened condition.

**1 Claim, 2 Drawing Sheets**



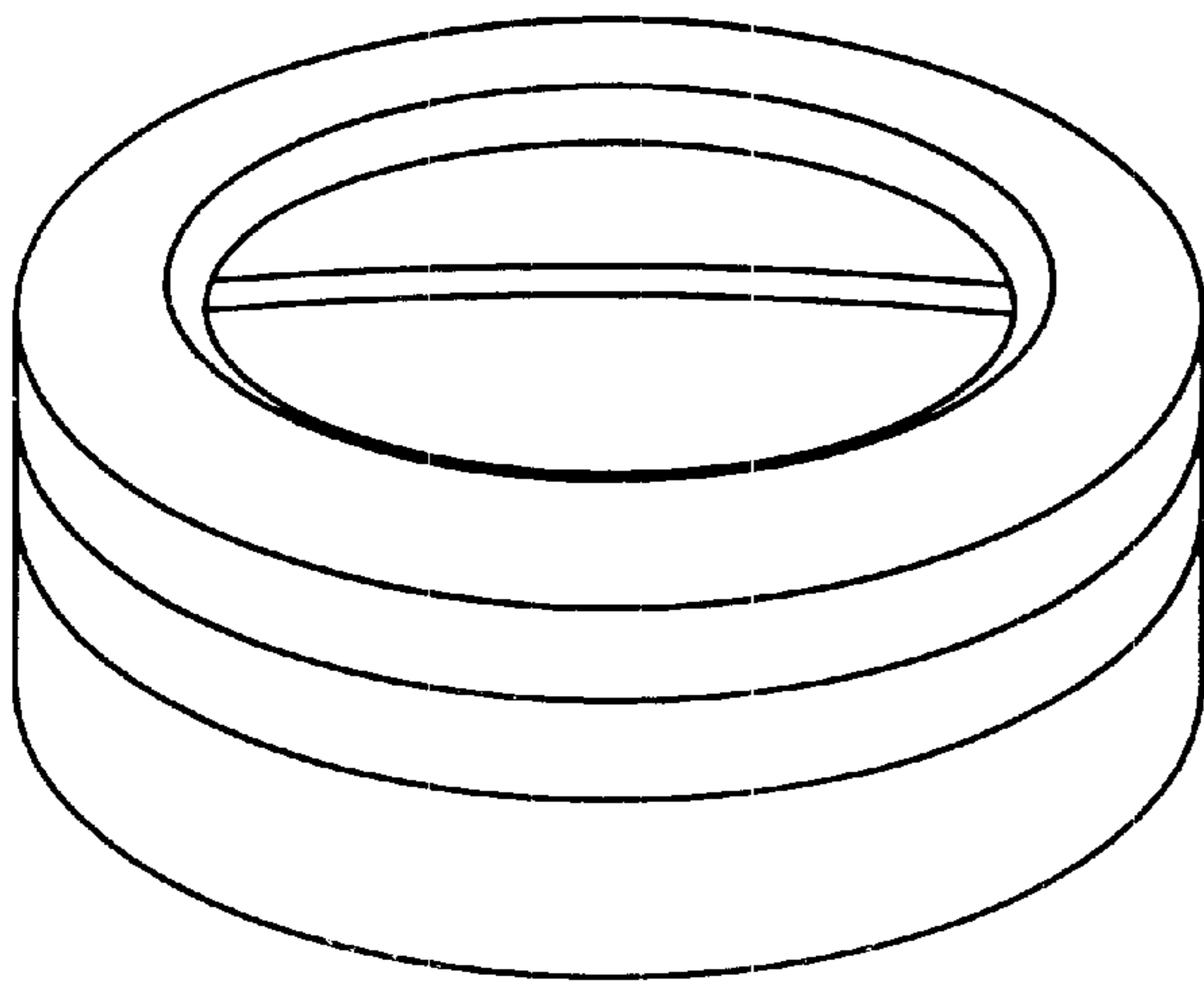


FIG. 1

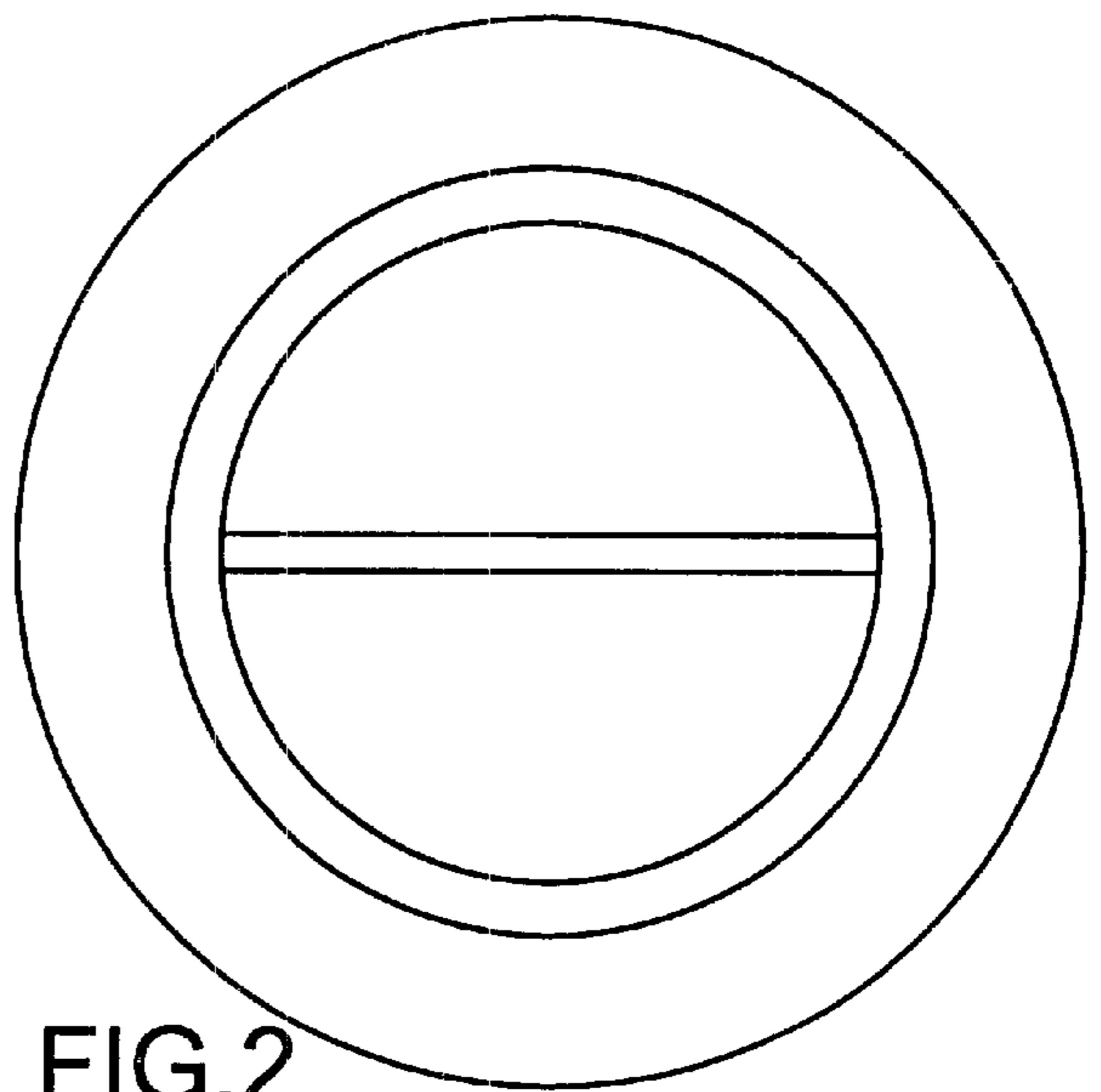


FIG. 2

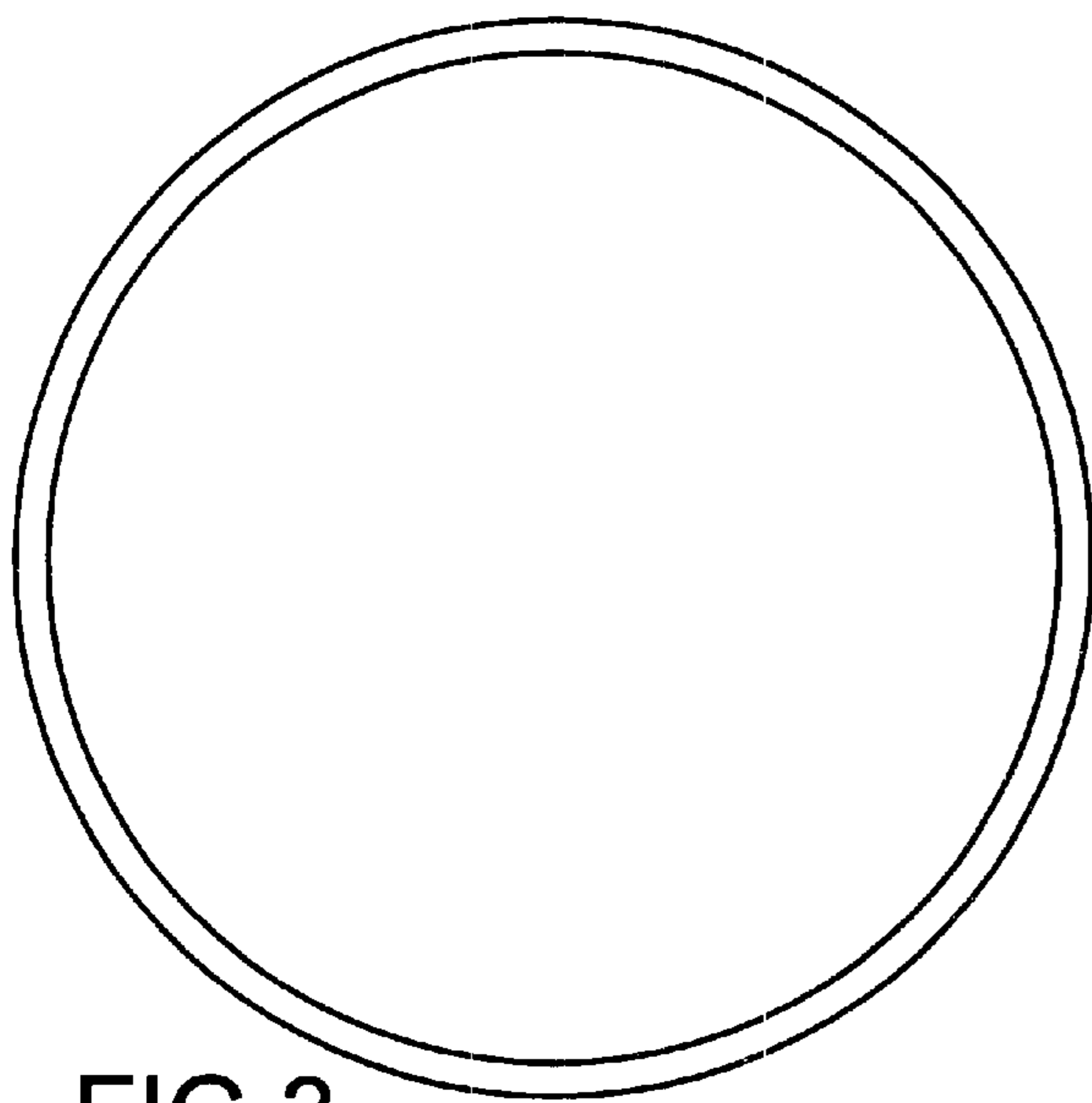


FIG. 3

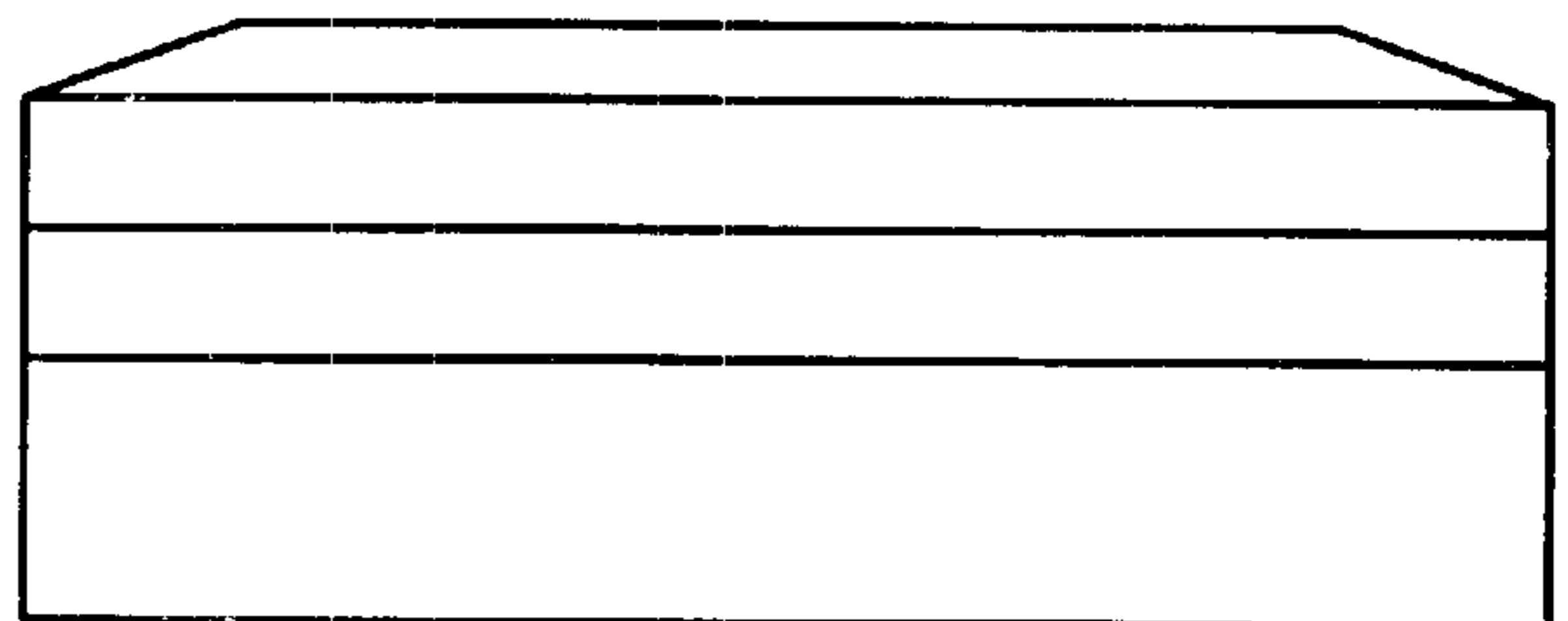


FIG. 4

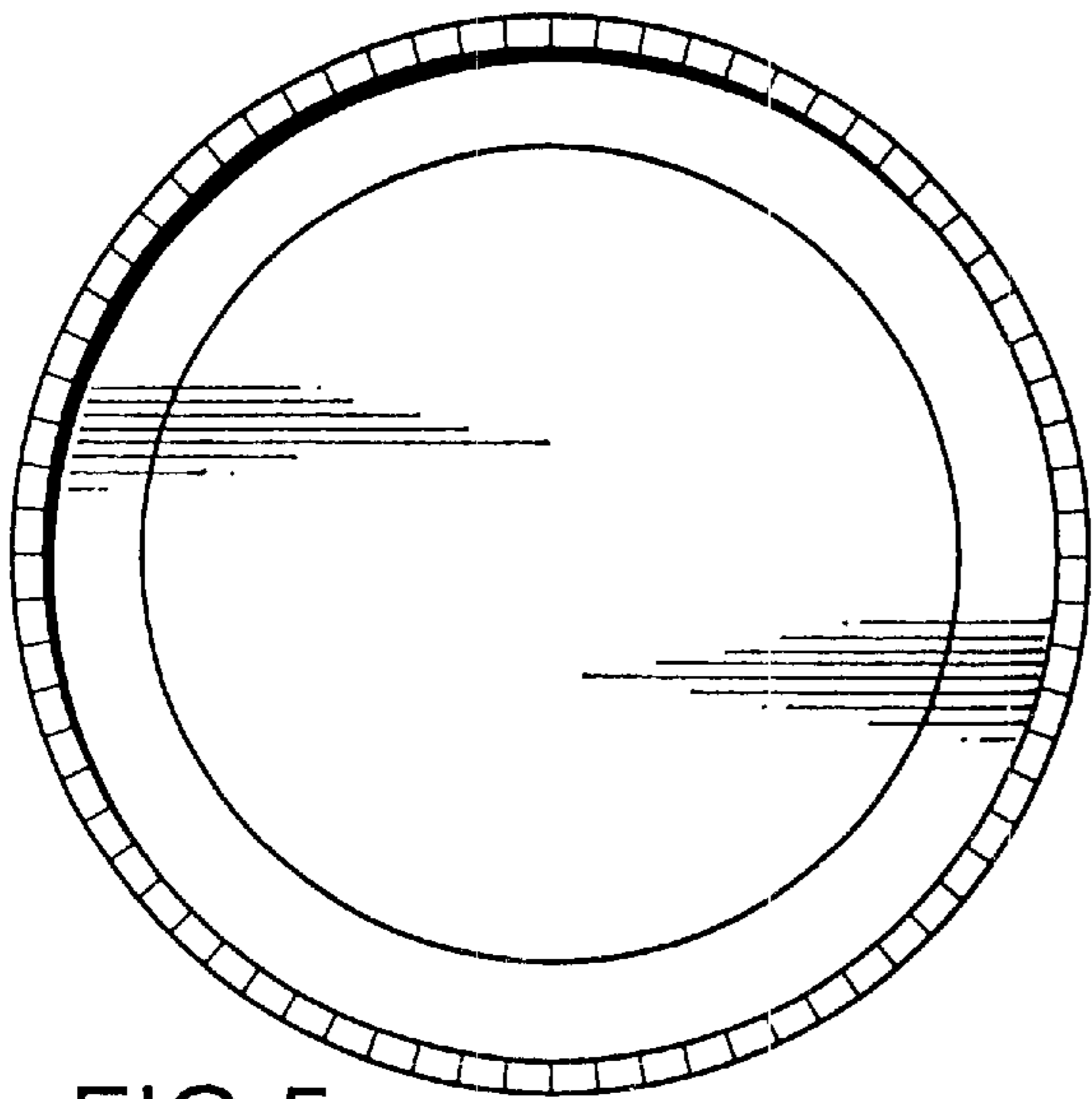


FIG. 5

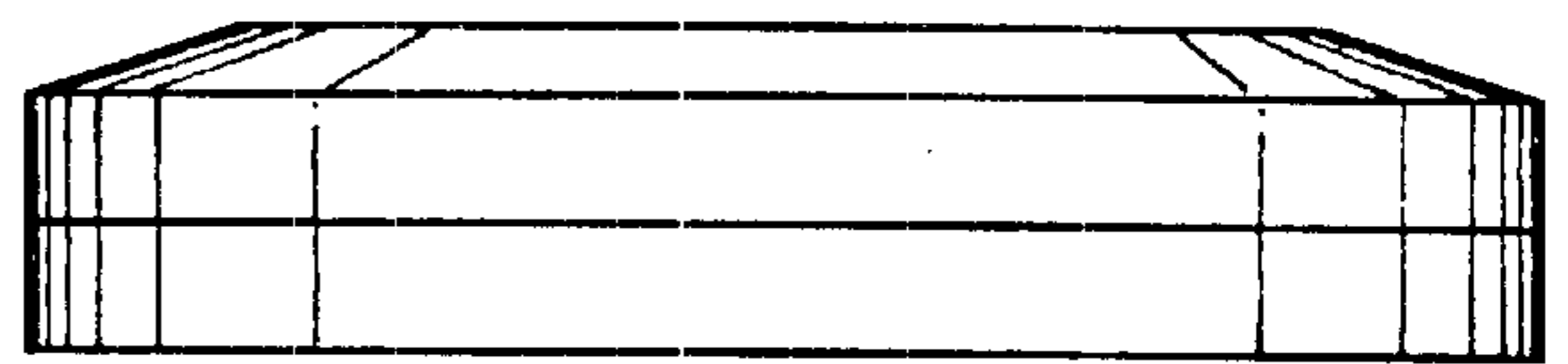


FIG. 6

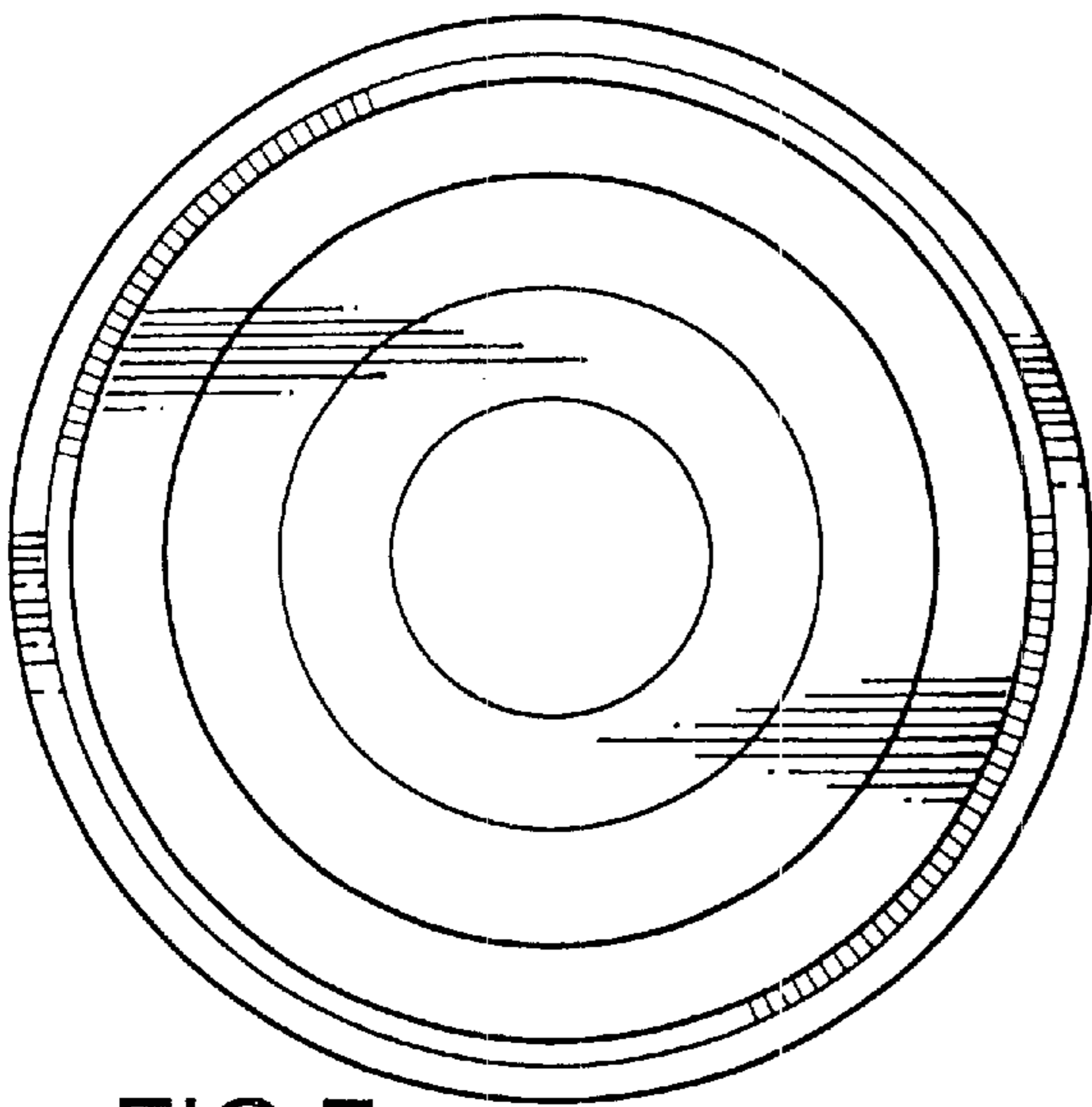


FIG. 7

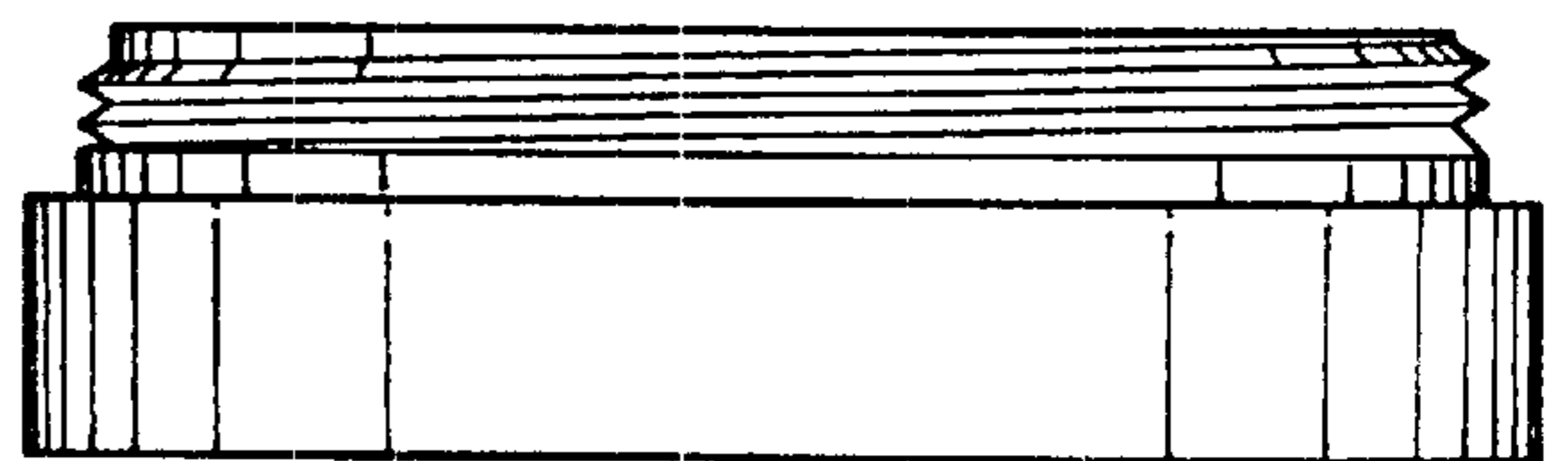


FIG. 8