



US00D470272S

(12) **United States Design Patent**  
**Fong**

(10) **Patent No.:** **US D470,272 S**

(45) **Date of Patent:** **\*\* Feb. 11, 2003**

(54) **HAIR CLIPPER**

(75) Inventor: **James Chien-Fu Fong**, Taipei (TW)

(73) Assignee: **Tong-Fong Brush Factory Co., Ltd.**,  
Taipei (TW)

(\*\*) Term: **14 Years**

(21) Appl. No.: **29/158,985**

(22) Filed: **Apr. 15, 2002**

(51) **LOC (7) Cl.** ..... **28-03**

(52) **U.S. Cl.** ..... **D28/53**

(58) **Field of Search** ..... D28/44, 44.1,  
D28/49-54

(56) **References Cited**

**U.S. PATENT DOCUMENTS**

1,446,559	A	*	2/1923	Gray	.....	30/215
1,822,262	A	*	9/1931	Apple	.....	30/220
D201,278	S	*	6/1965	Wahl et al.	.....	D28/53
D211,554	S	*	6/1968	Koroncai	.....	D28/51
3,387,367	A	*	6/1968	Merzon	.....	30/201
3,531,862	A	*	10/1970	Bender et al.	.....	30/201
D225,790	S	*	1/1973	Rohrbach	.....	D28/50

D306,496	S	*	3/1990	Newberry, Jr.	.....	D28/48
5,367,772	A	*	11/1994	Ogawa	.....	30/201
D378,705	S	*	4/1997	Izumi	.....	D28/53
D405,924	S		2/1999	Lebherz	.....	D28/53
D458,710	S	*	6/2002	Altamore et al.	.....	D28/53

\* cited by examiner

*Primary Examiner*—Ted Shooman

*Assistant Examiner*—C. Tuttle

(74) *Attorney, Agent, or Firm*—Rabin & Berdo, P.C.

(57) **CLAIM**

The ornamental design for a hair clipper, as shown and described.

**DESCRIPTION**

FIG. 1 is a perspective view of a hair clipper showing my new design;

FIG. 2 is a front view thereof;

FIG. 3 is a rear view thereof;

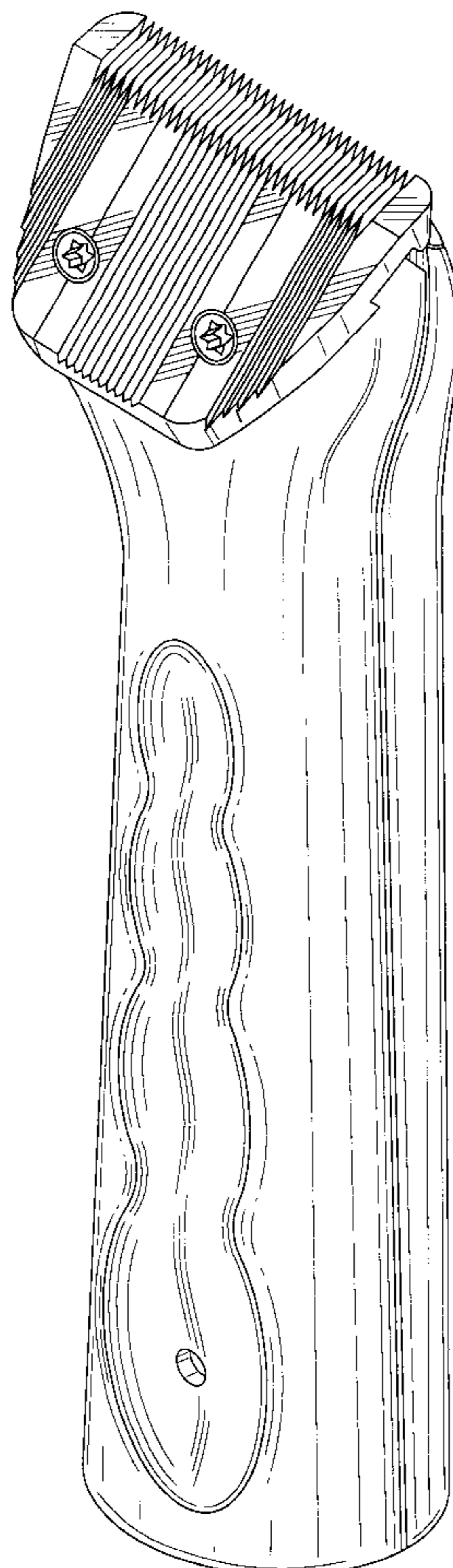
FIG. 4 is a left side view thereof;

FIG. 5 is a right side view thereof;

FIG. 6 is a top view thereof; and,

FIG. 7 is a bottom view thereof.

**1 Claim, 6 Drawing Sheets**



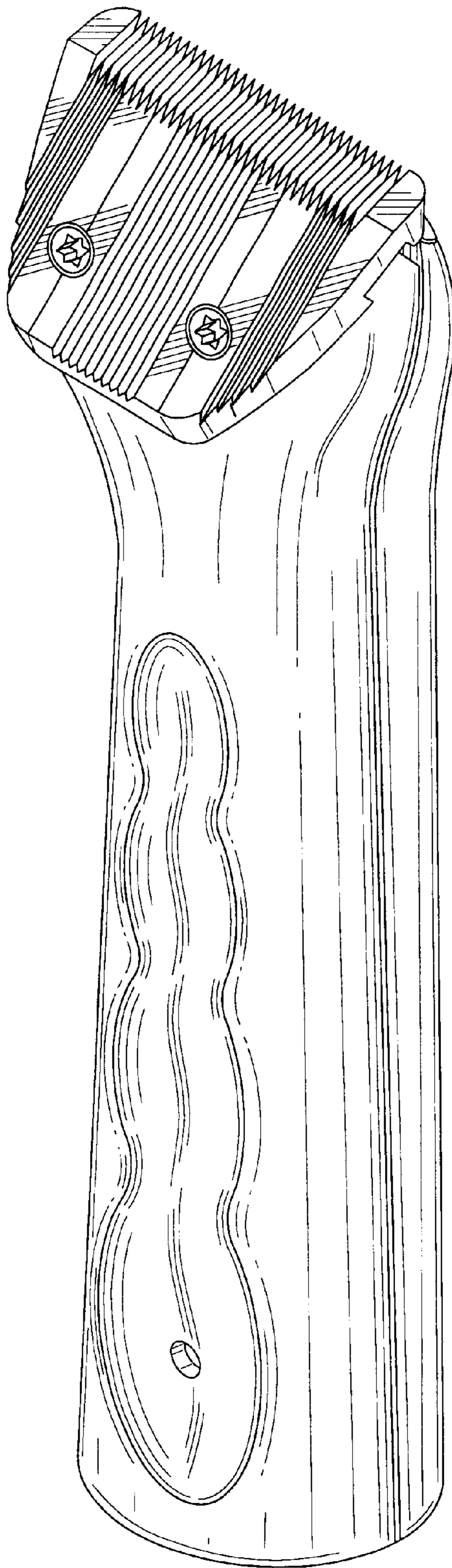


FIG. 1

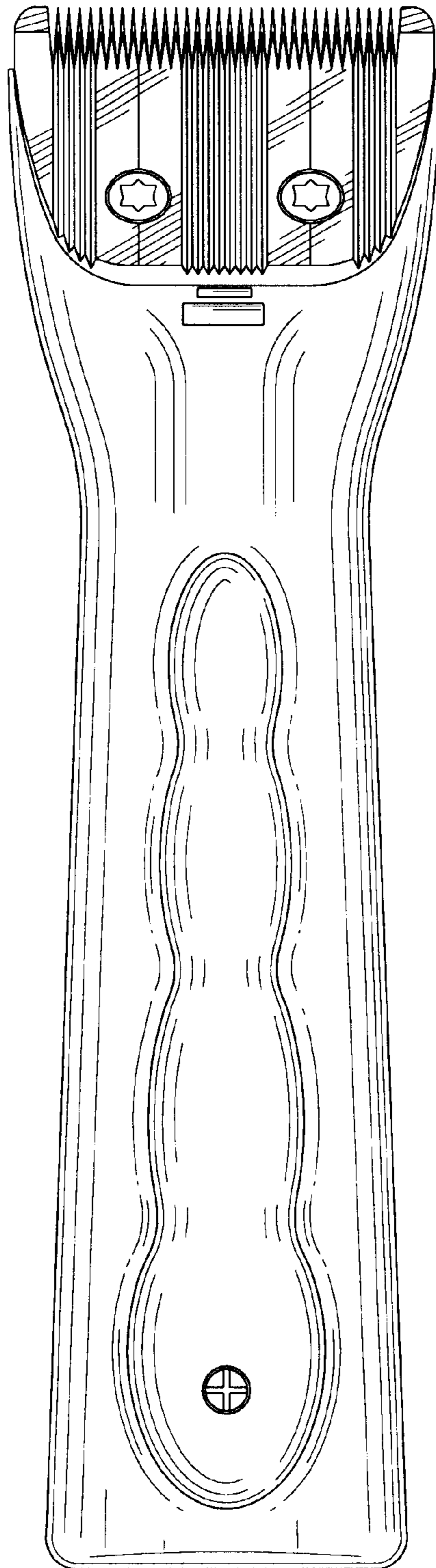


FIG.2

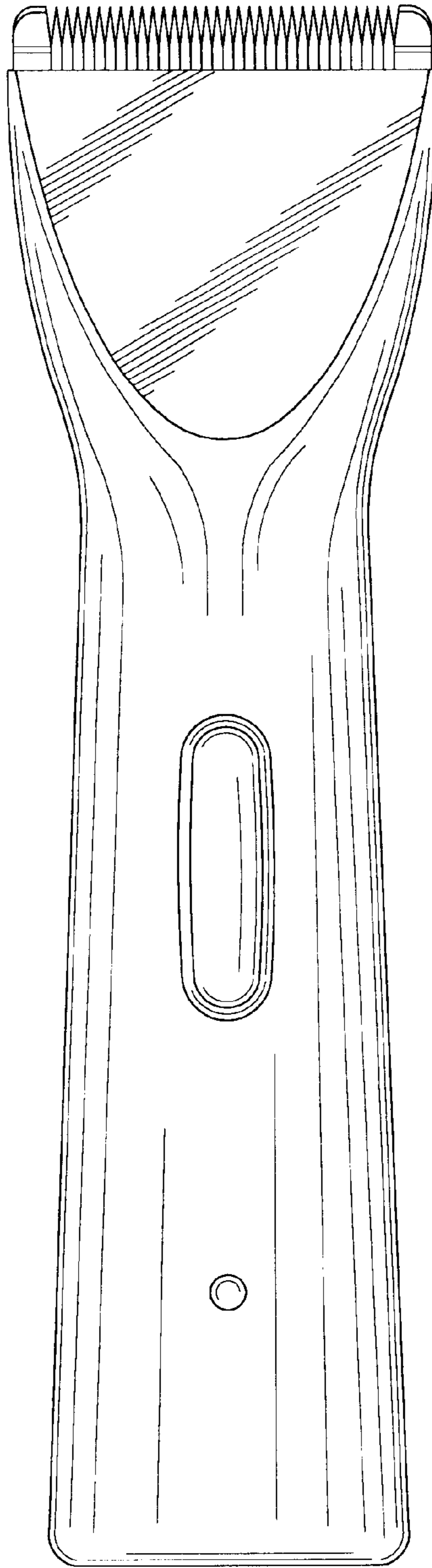


FIG.3

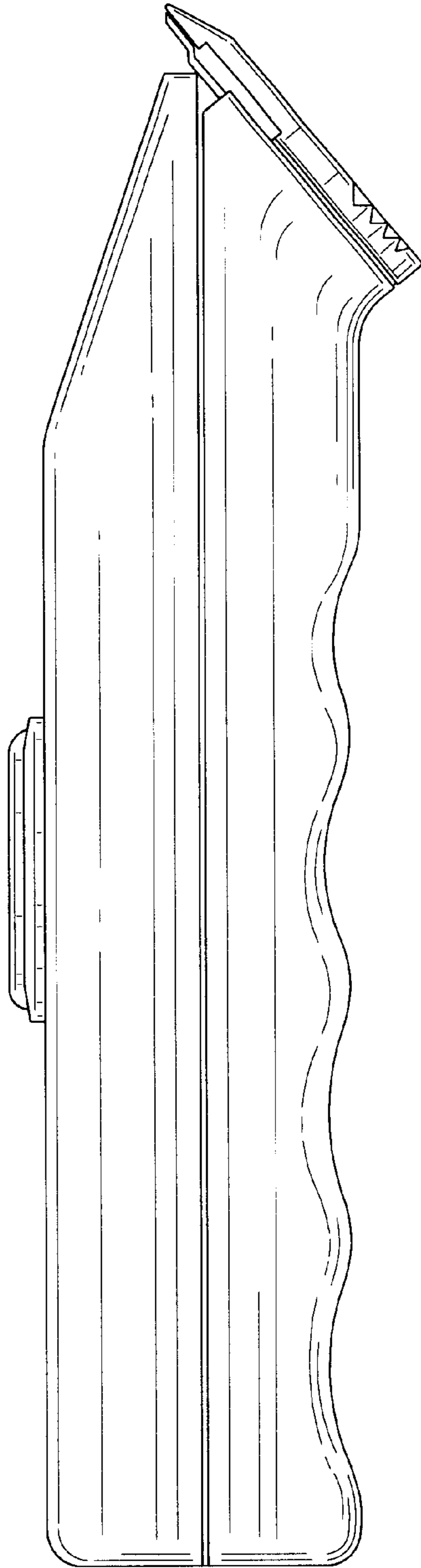


FIG.4

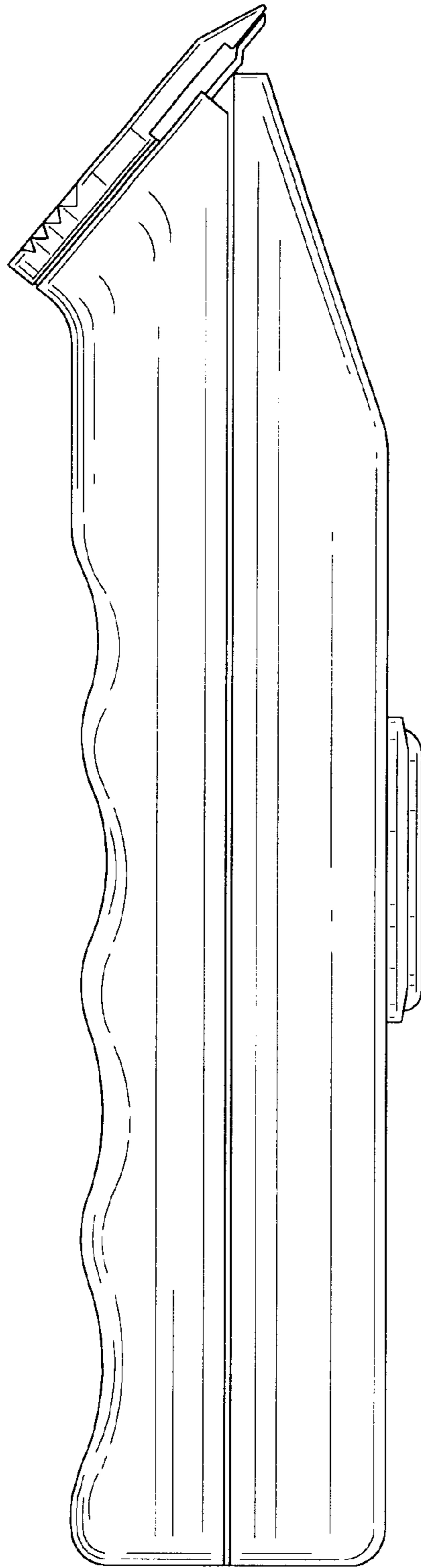


FIG.5

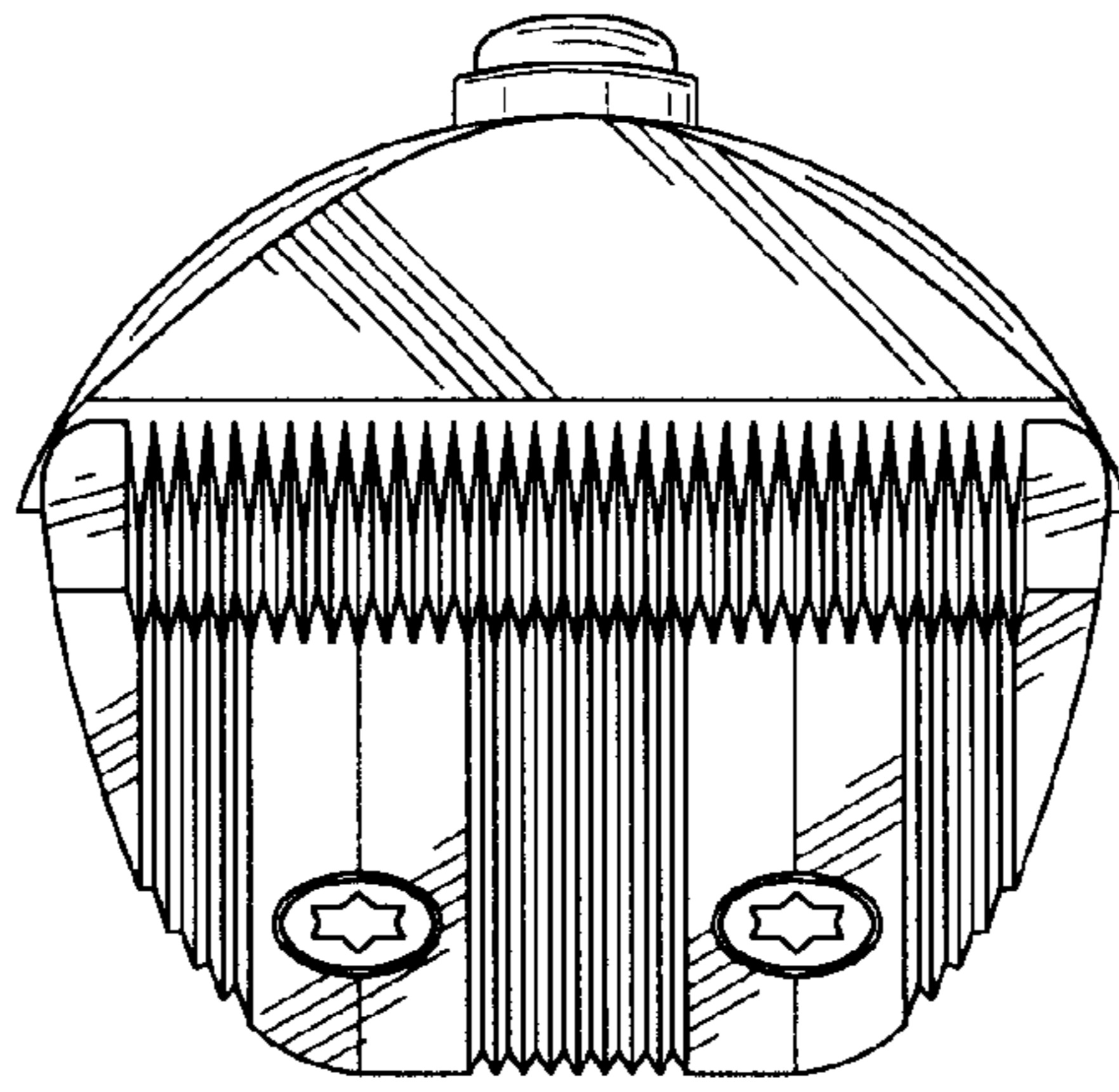


FIG. 6

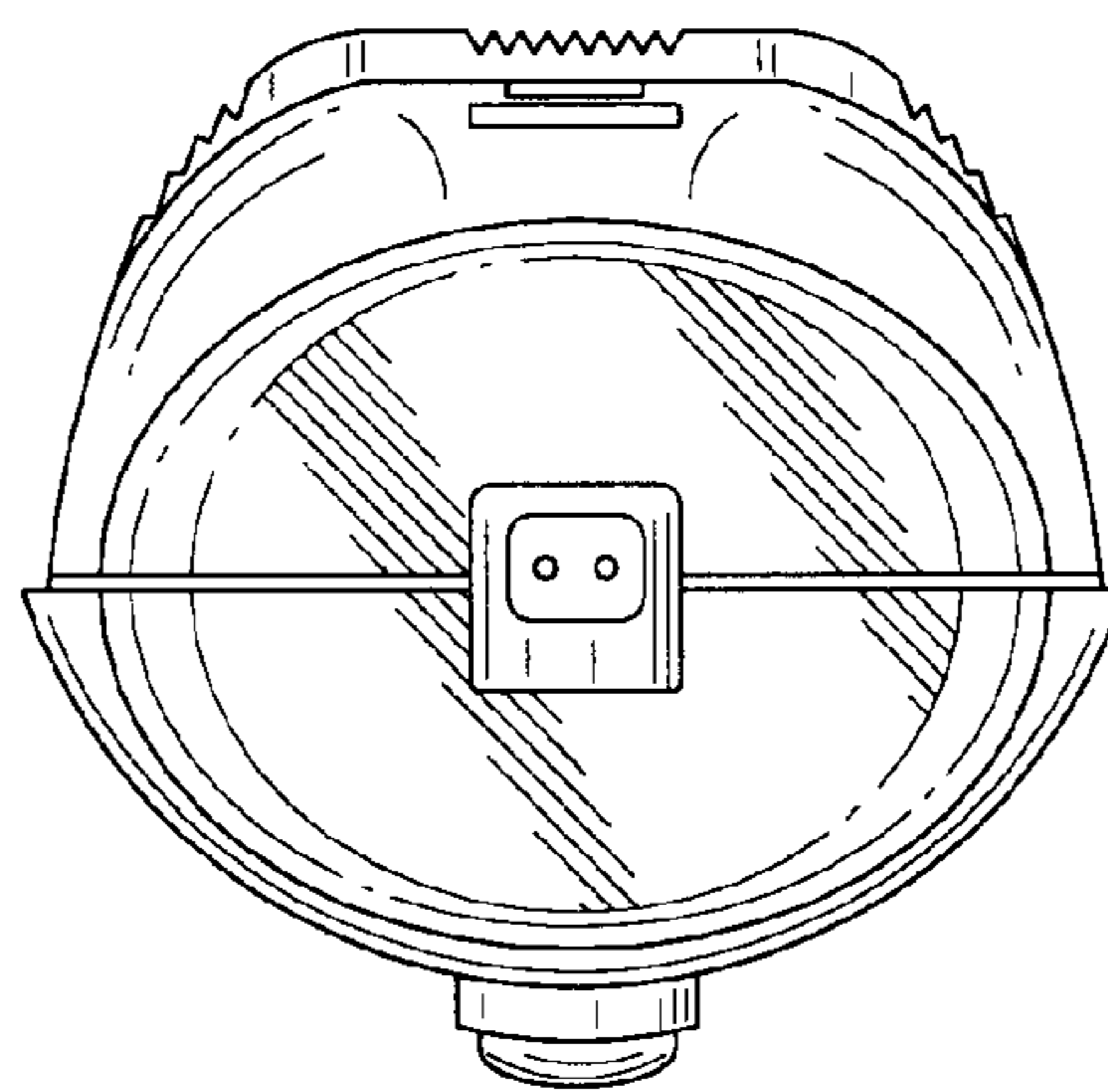


FIG. 7