



US00D470267S

(12) **United States Design Patent**
Groendyke

(10) **Patent No.:** **US D470,267 S**

(45) **Date of Patent:** **** Feb. 11, 2003**

(54) **ASHTRAY POCKET INSERT**

(76) **Inventor:** **Richard L. Groendyke**, 2251 Rampart Bl., Las Vegas, NV (US) 89128

(**) **Term:** **14 Years**

(21) **Appl. No.:** **29/165,840**

(22) **Filed:** **Aug. 15, 2002**

(51) **LOC (7) Cl.** **27-03**

(52) **U.S. Cl.** **D27/104**

(58) **Field of Search** D27/102, 103, D27/104; 131/231, 235.1, 240.1, 241; 206/236

(56) **References Cited**

U.S. PATENT DOCUMENTS

D302,050 S * 7/1989 Ingrisani D27/104
D434,874 S * 12/2000 Lehat D27/105

* cited by examiner

Primary Examiner—Jennifer Rivard
(74) *Attorney, Agent, or Firm*—James G. O’Neill

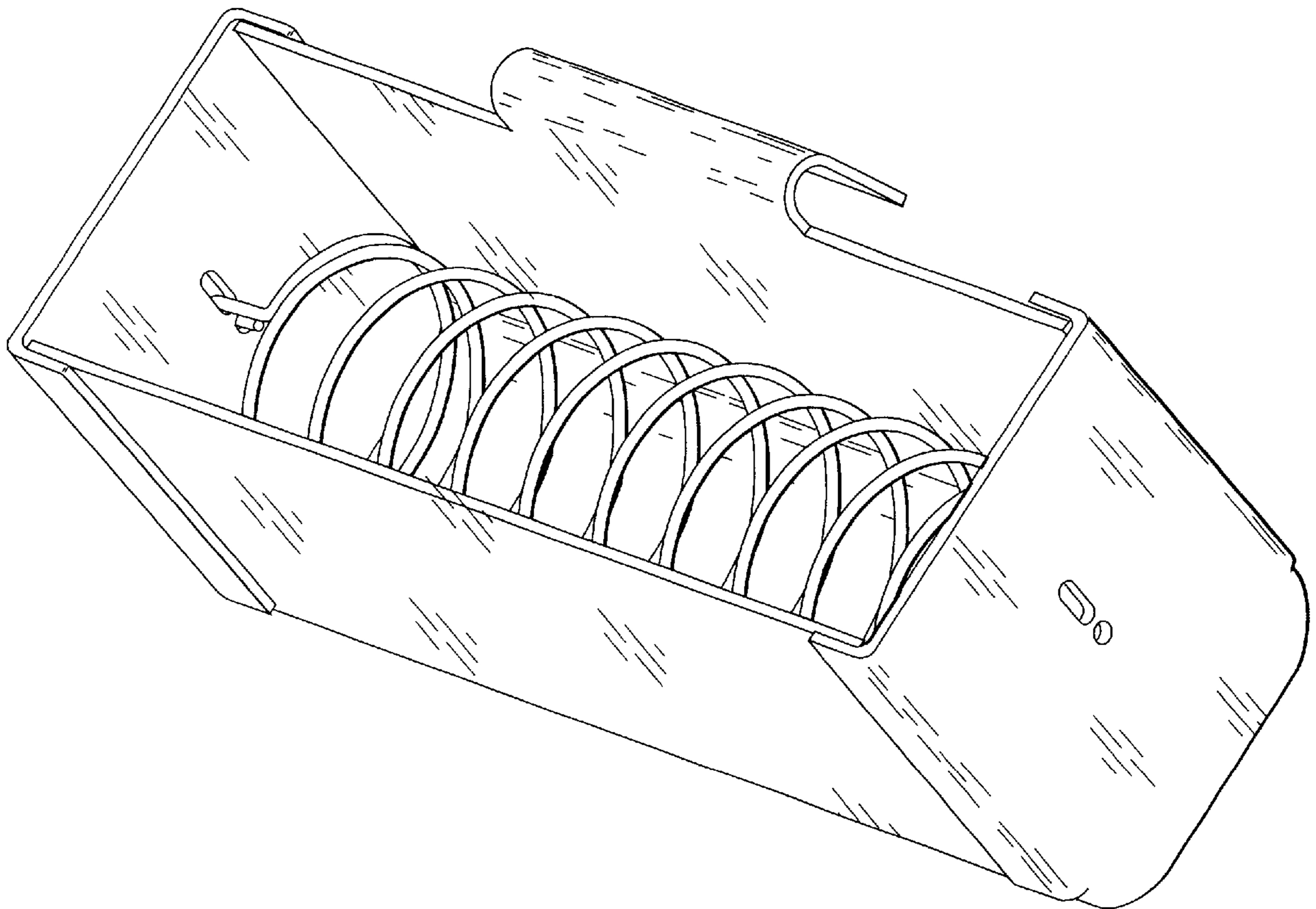
(57) **CLAIM**

The ornamental design for an ashtray pocket insert, as shown and described.

DESCRIPTION

FIG. 1 is a perspective view of an ashtray pocket insert of the present invention looking toward the top;
FIG. 2 is a front elevational view of FIG. 1;
FIG. 3 is a rear elevational view of FIG. 1;
FIG. 4 is a left side elevational view of FIG. 1;
FIG. 5 is a right side elevational view of FIG. 1;
FIG. 6 is a top plan view of FIG. 1; and,
FIG. 7 is a bottom plan view of FIG. 1.

1 Claim, 3 Drawing Sheets



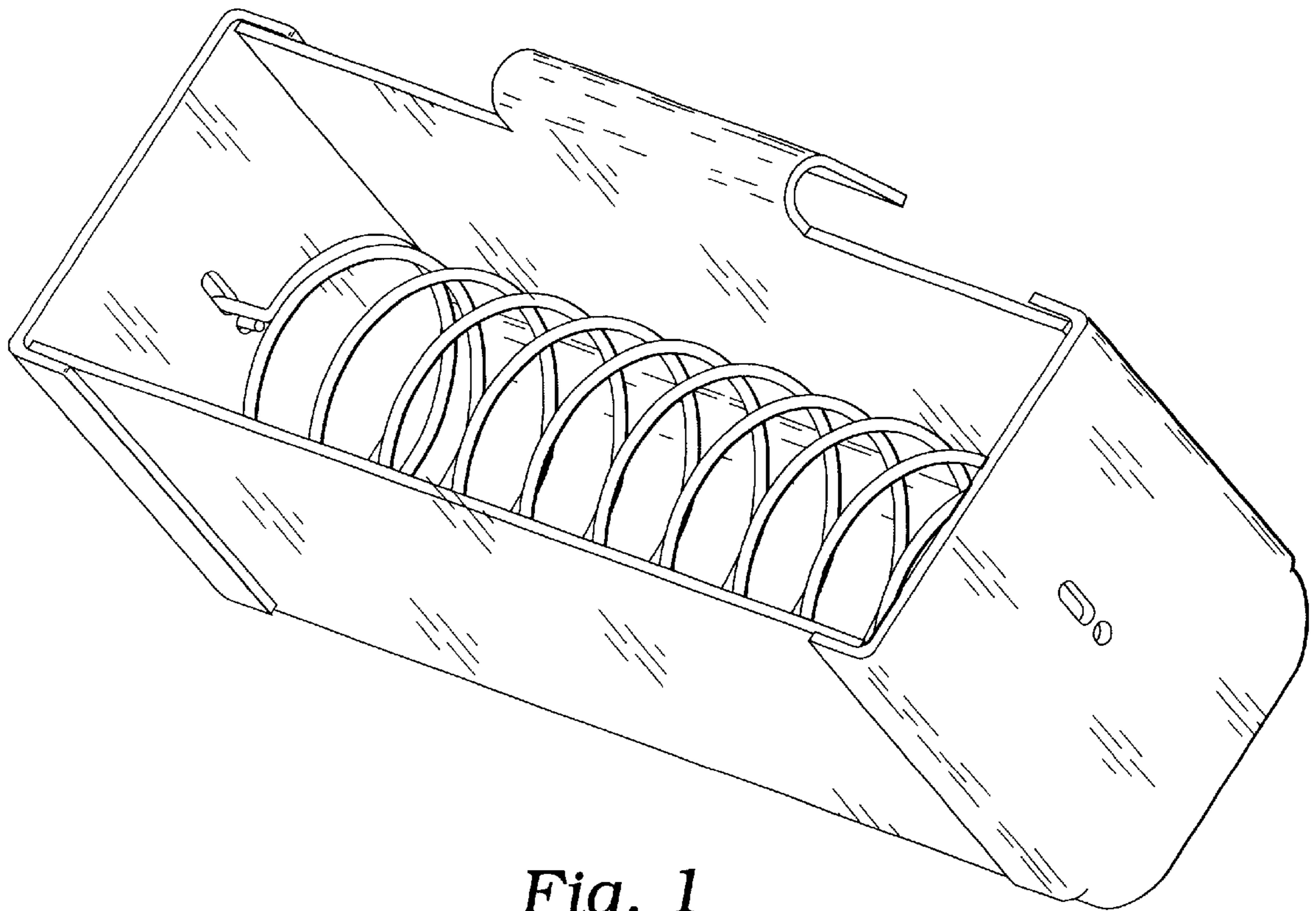


Fig. 1

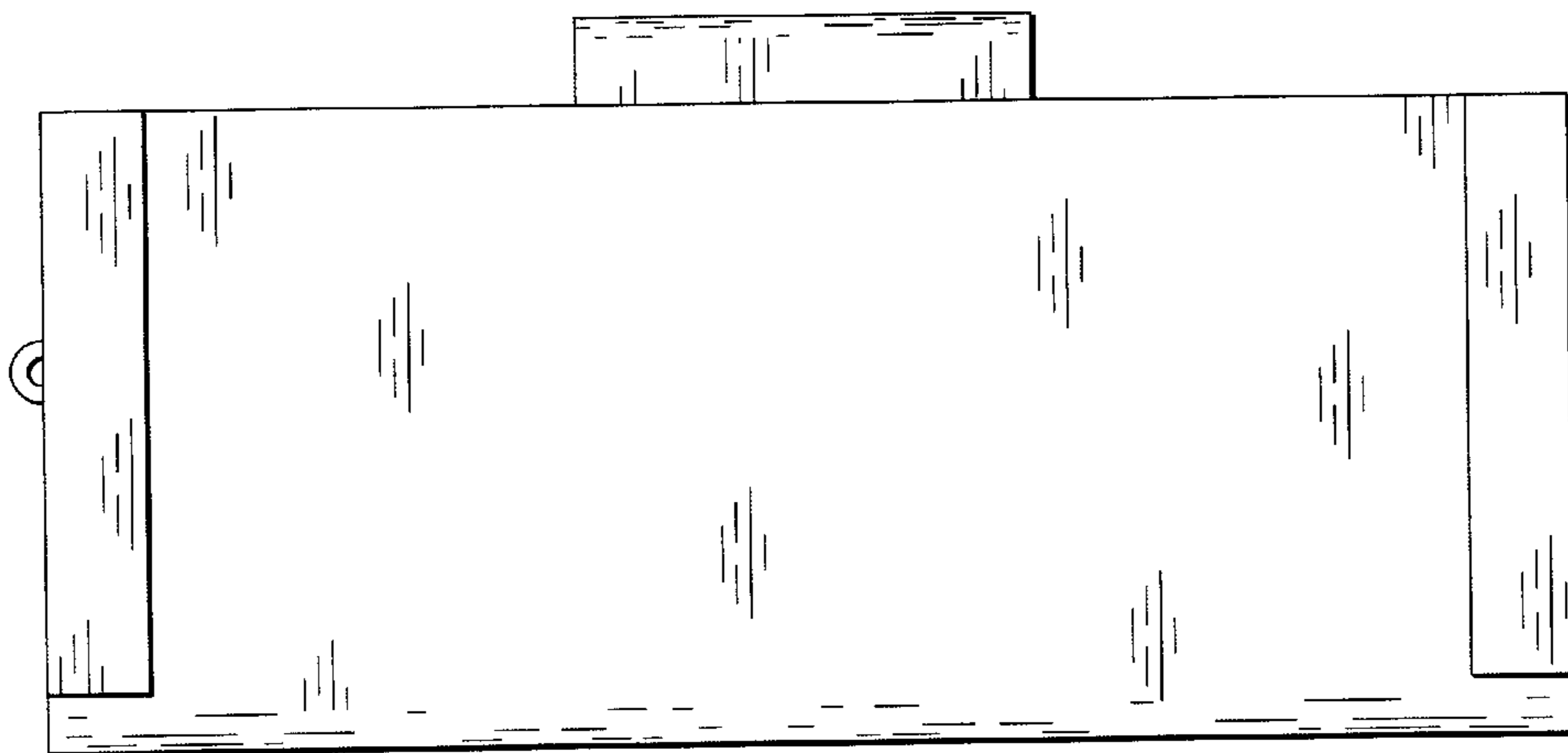


Fig. 2

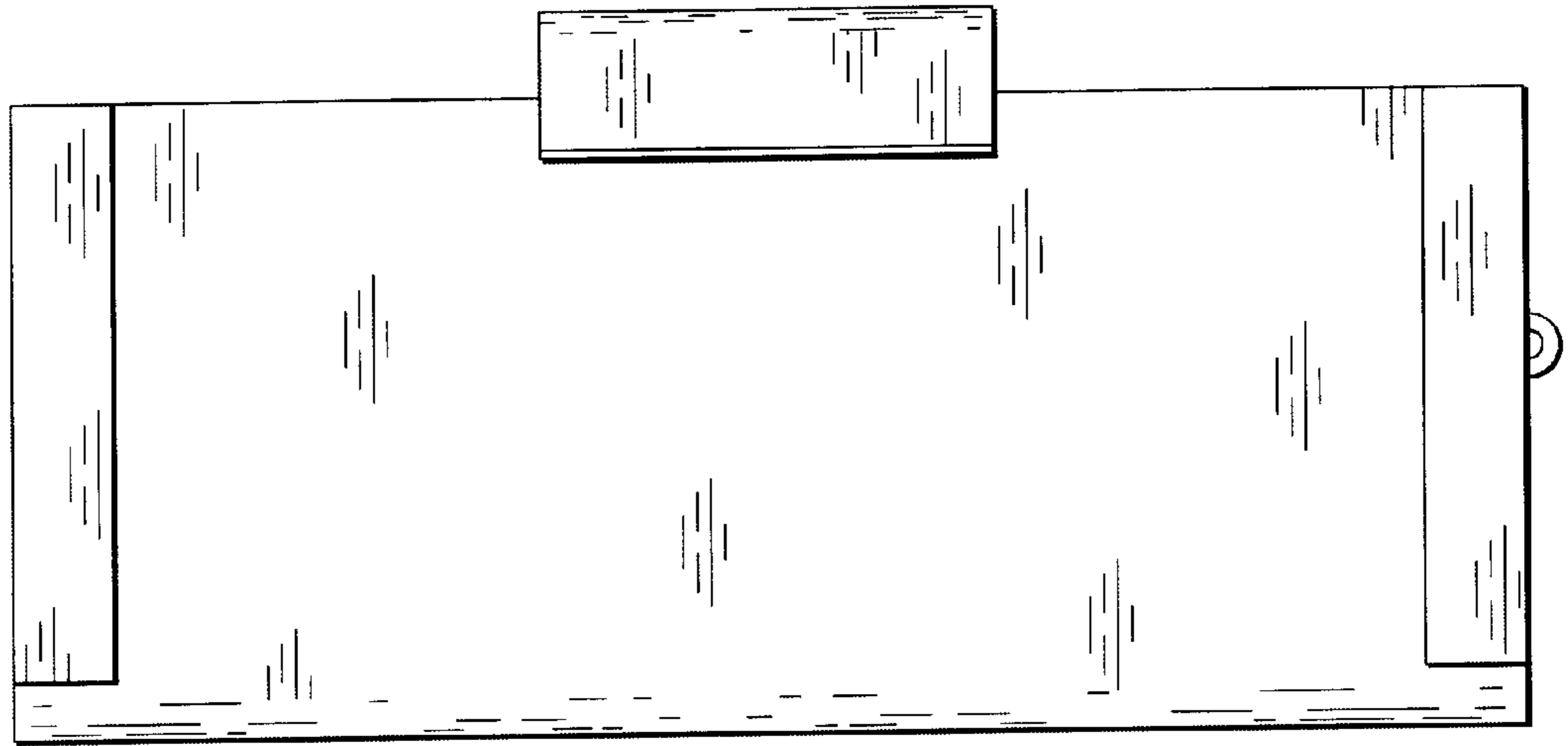


Fig. 3

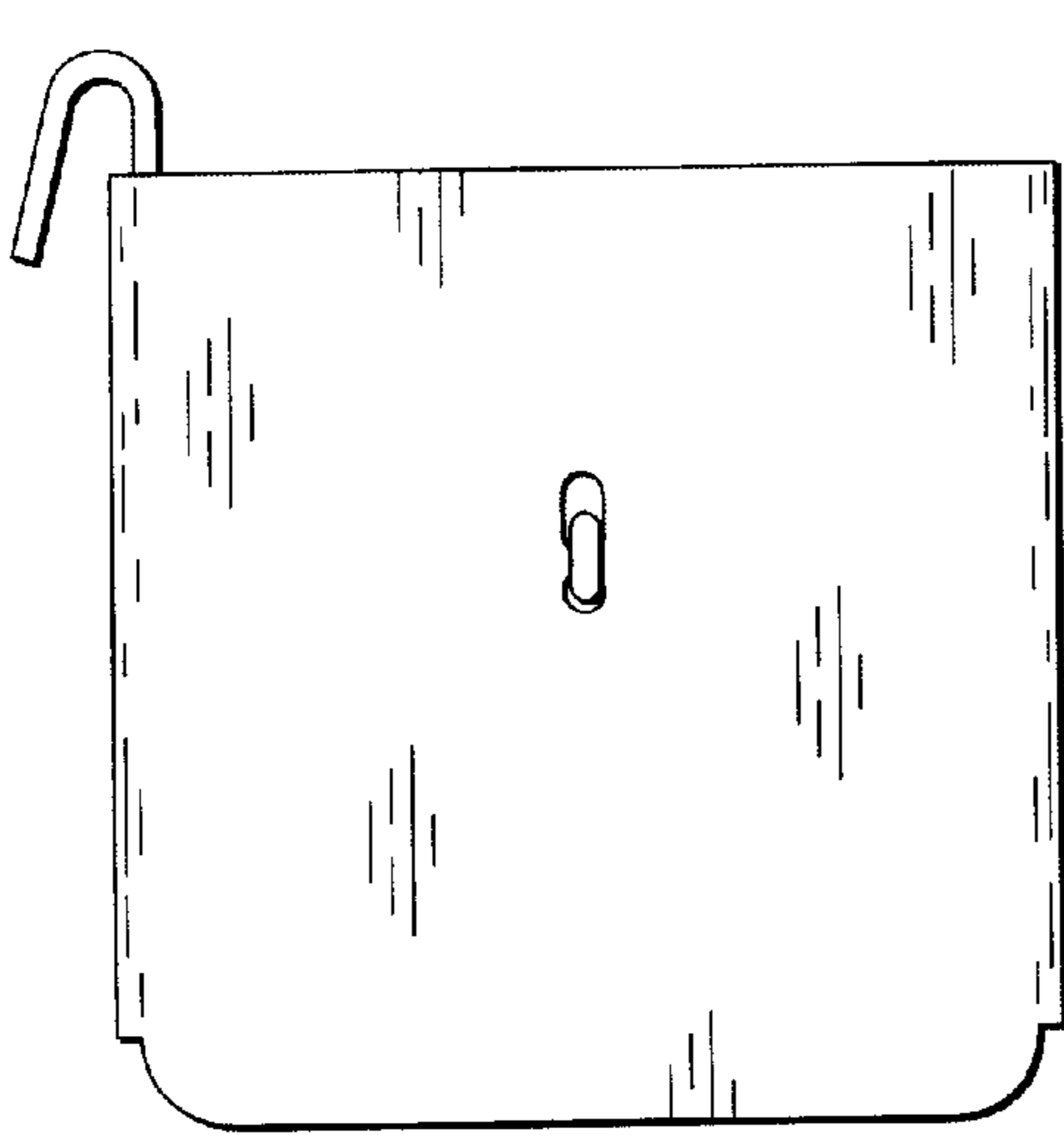


Fig. 4

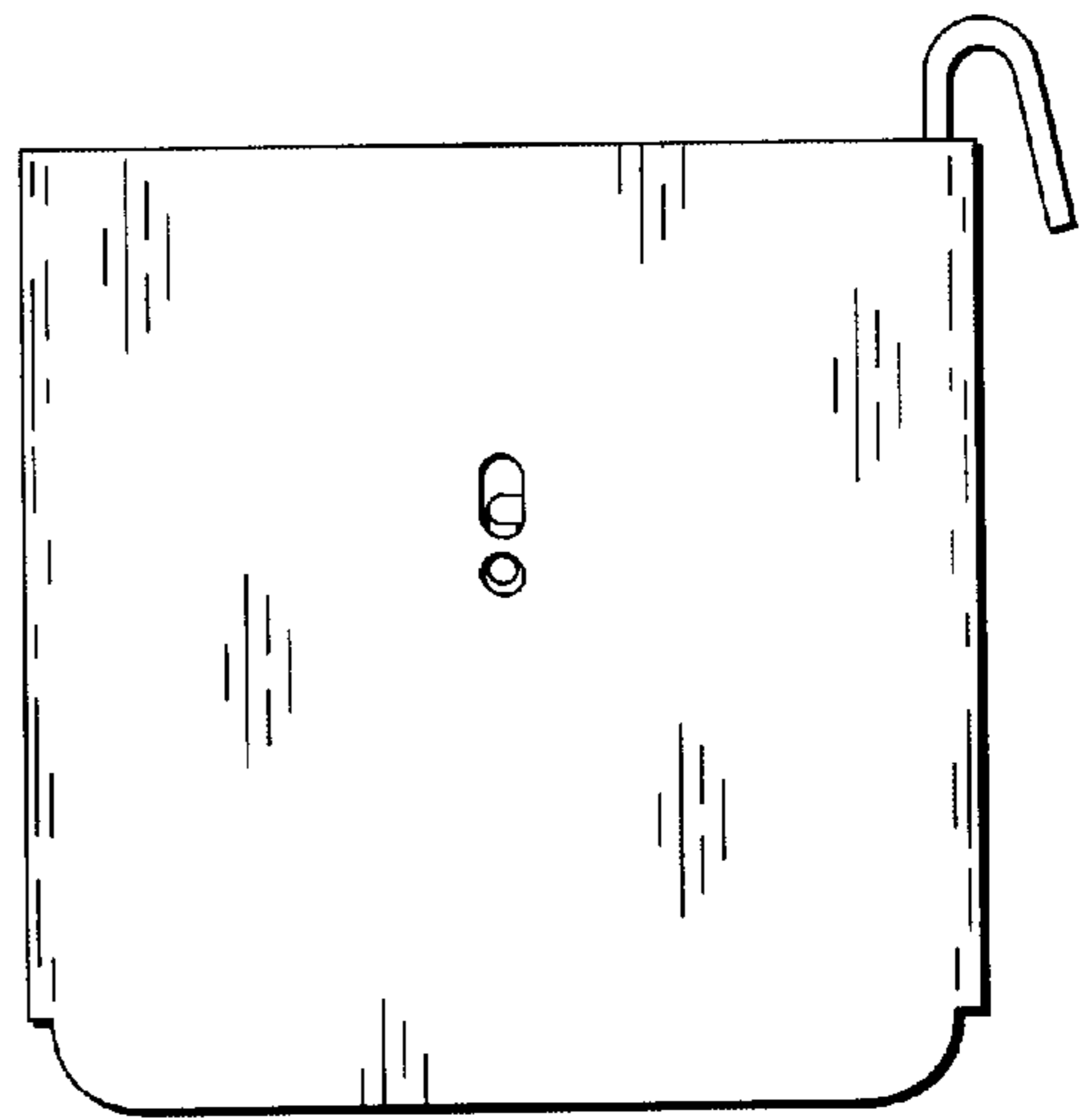


Fig. 5

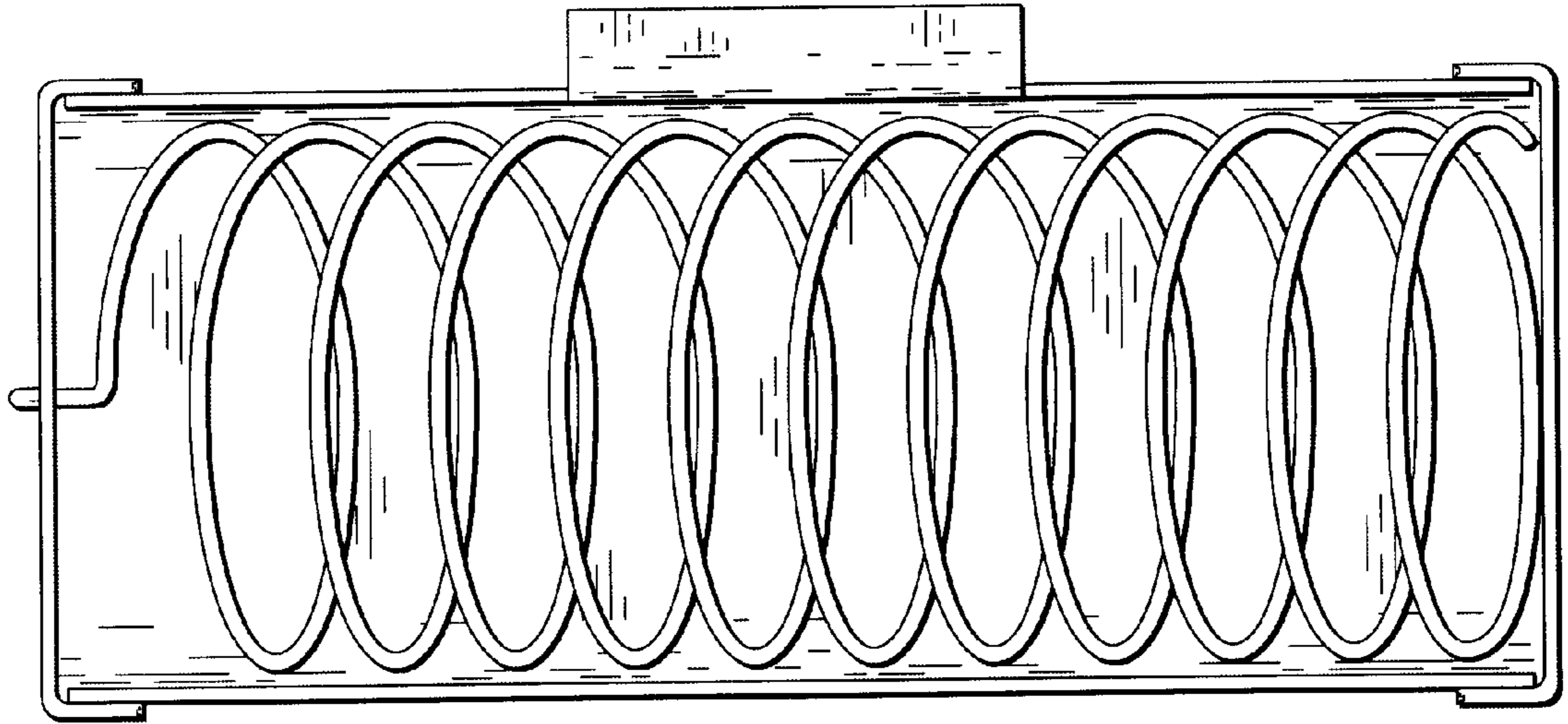


Fig. 6

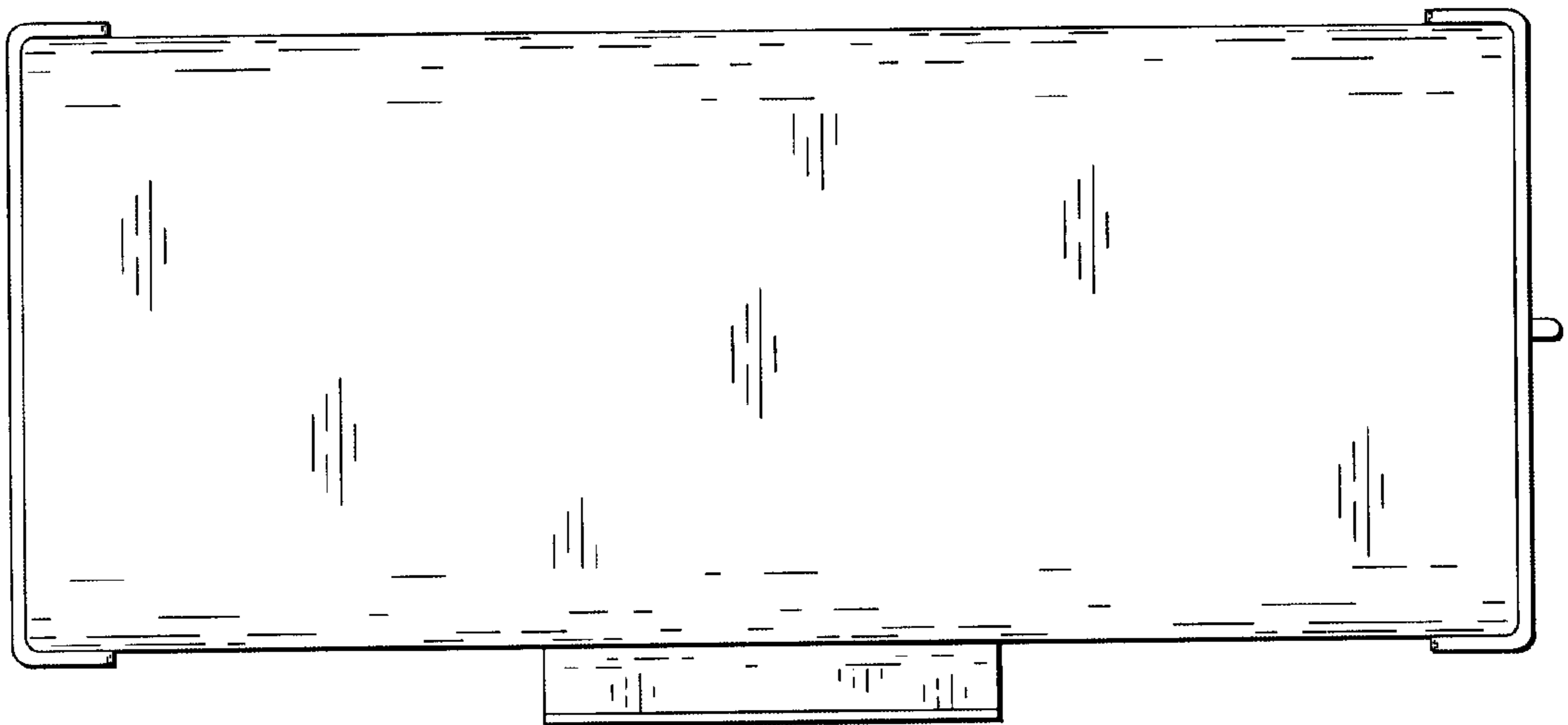


Fig. 7