



US00D470265S

(12) **United States Design Patent** (10) **Patent No.:** **US D470,265 S**  
**Kuelbs et al.** (45) **Date of Patent:** **\*\* Feb. 11, 2003**

(54) **LAMP OR HANGABLE ACCESSORY**

(75) Inventors: **Gregory G. Kuelbs**, Westlake, TX (US); **Zhongxing Zhou**, Ronggui (CN)

(73) Assignee: **World Factory, Inc.**, Southlake, TX (US)

(\*\*) Term: **14 Years**

(21) Appl. No.: **29/154,811**

(22) Filed: **Jan. 30, 2002**

(51) **LOC (7) Cl.** ..... **26-99**

(52) **U.S. Cl.** ..... **D26/118; D26/72**

(58) **Field of Search** ..... D26/113, 118, D26/119, 67, 72, 85, 86, 89; 362/147, 360, 363, 367, 368, 404-408, 431

(56) **References Cited**

**U.S. PATENT DOCUMENTS**

D214,186 S	*	5/1969	Meltzer	.....	D26/118
D439,359 S	*	3/2001	Feng	.....	D26/85
D445,209 S		7/2001	Chen	.....	D26/72

**OTHER PUBLICATIONS**

#2774-AG, Designer's Fountain, p. 134, Sep. 2001.\*

#1422-ST, Designer's Fountain, p. 132, Sep. 2001.\*

\* cited by examiner

*Primary Examiner*—Jennifer Rivard

(74) *Attorney, Agent, or Firm*—James E. Walton; Hill & Hunn LLP

(57) **CLAIM**

The ornamental design for a lamp or hangable accessory, as shown and described.

**DESCRIPTION**

FIG. 1 is a perspective view of the lamp or hangable accessory, such as a garden accent or birdhouse, according to the present invention.

FIG. 2 is a front view of the lamp or hangable accessory according to the present invention. The rear view of the lamp or hangable accessory according to the present invention is identical to the front view.

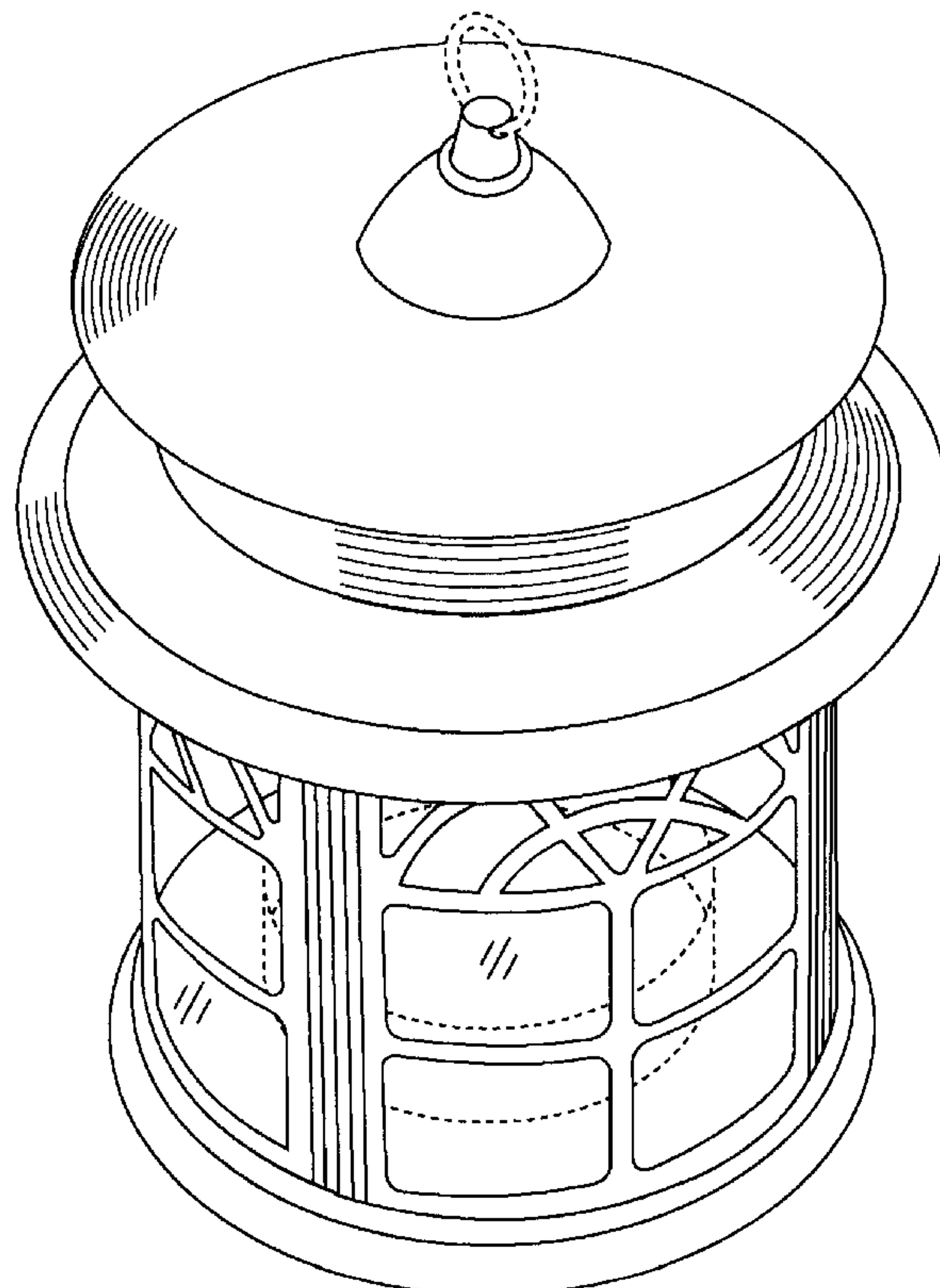
FIG. 3 is a left side view of the lamp or hangable accessory according to the present invention. The right side view of the lamp or hangable accessory according to the present invention is identical to the left side view.

FIG. 4 is a top view of the lamp or hangable accessory according to the present invention.

FIG. 5 is a bottom view of the lamp or hangable accessory according to the present invention.

The broken line environmental showing is for illustrative purposes only and forms no part of the claimed design.

**1 Claim, 4 Drawing Sheets**



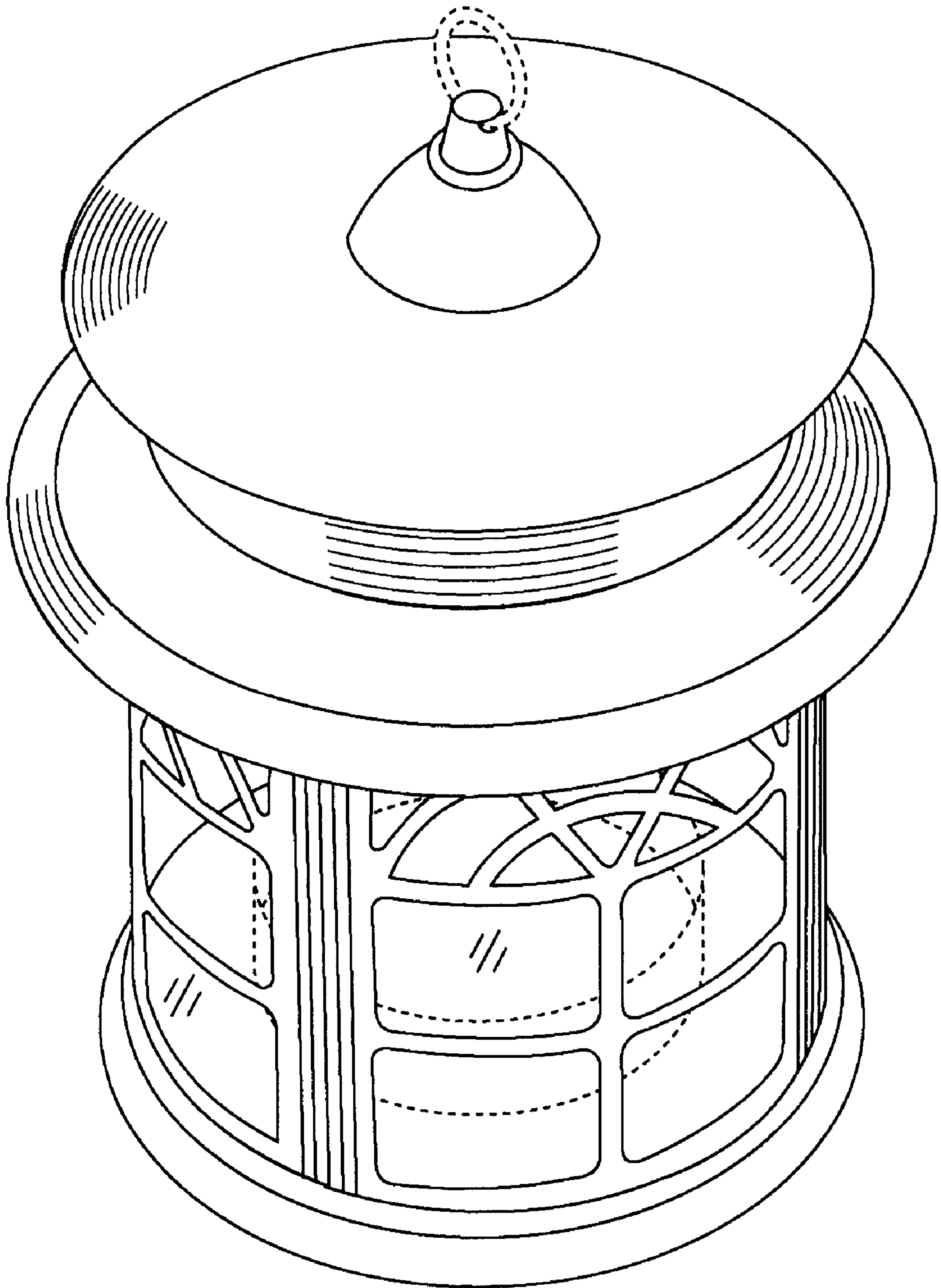


Figure 1

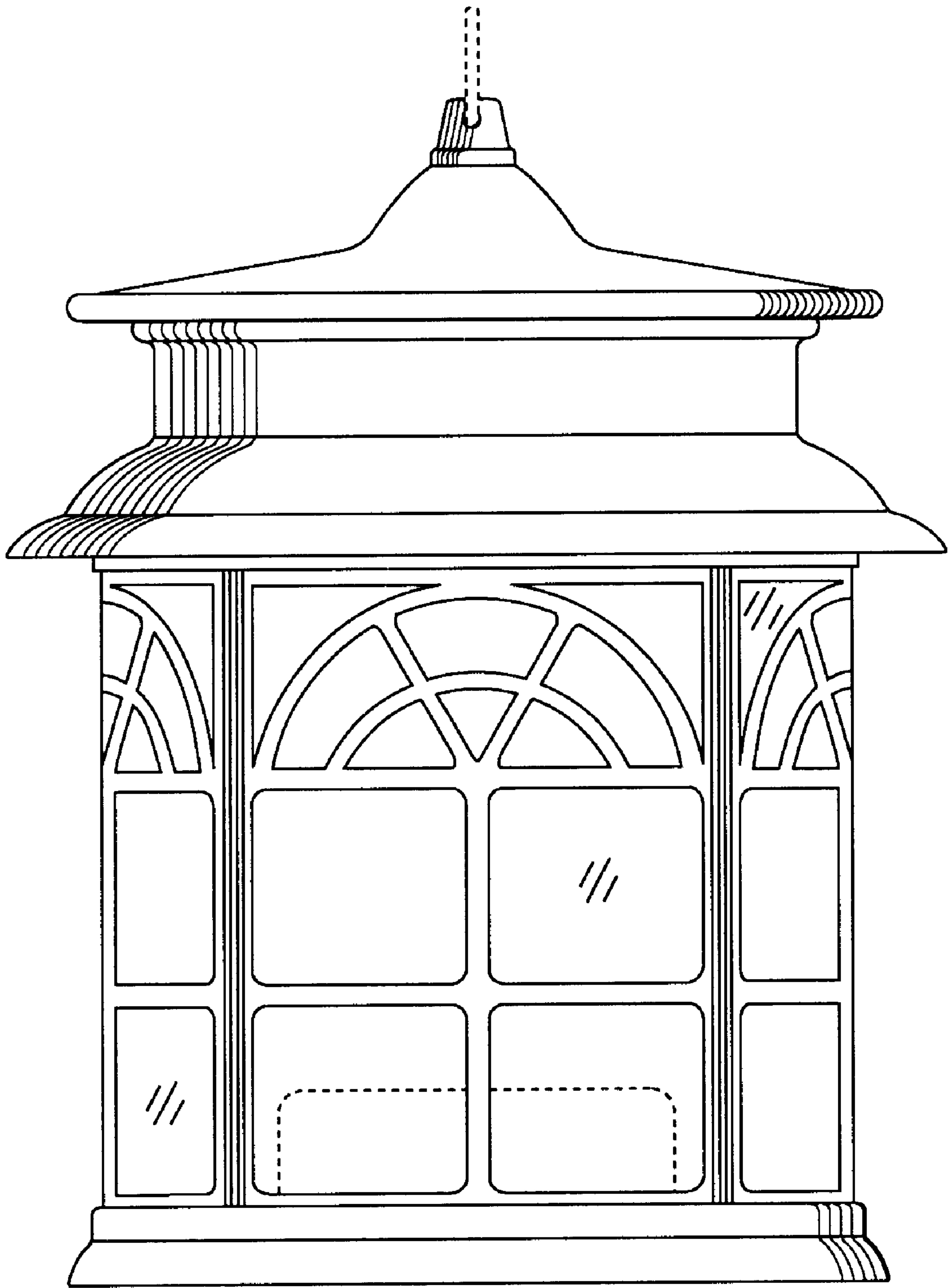


Figure 2

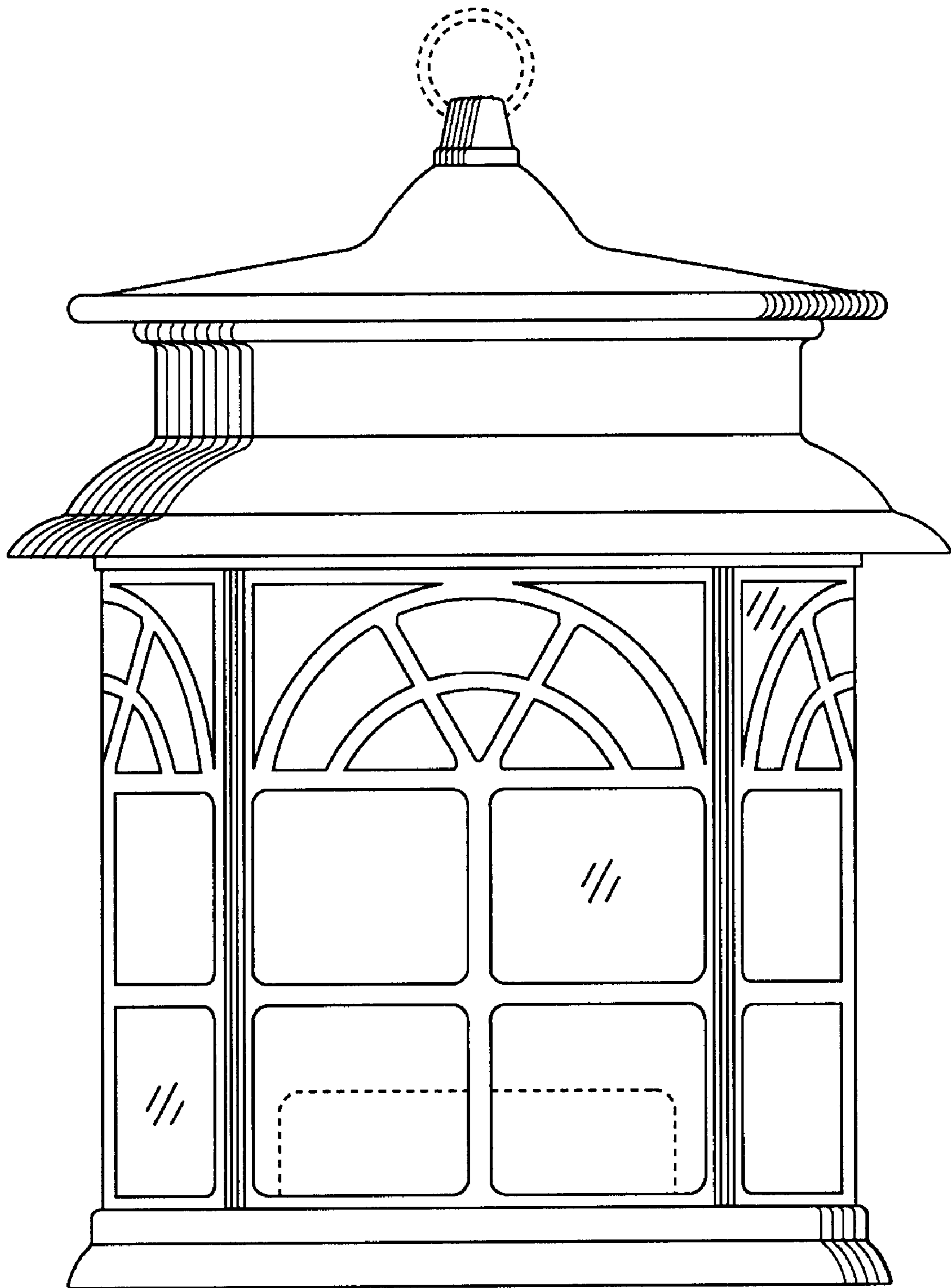


Figure 3

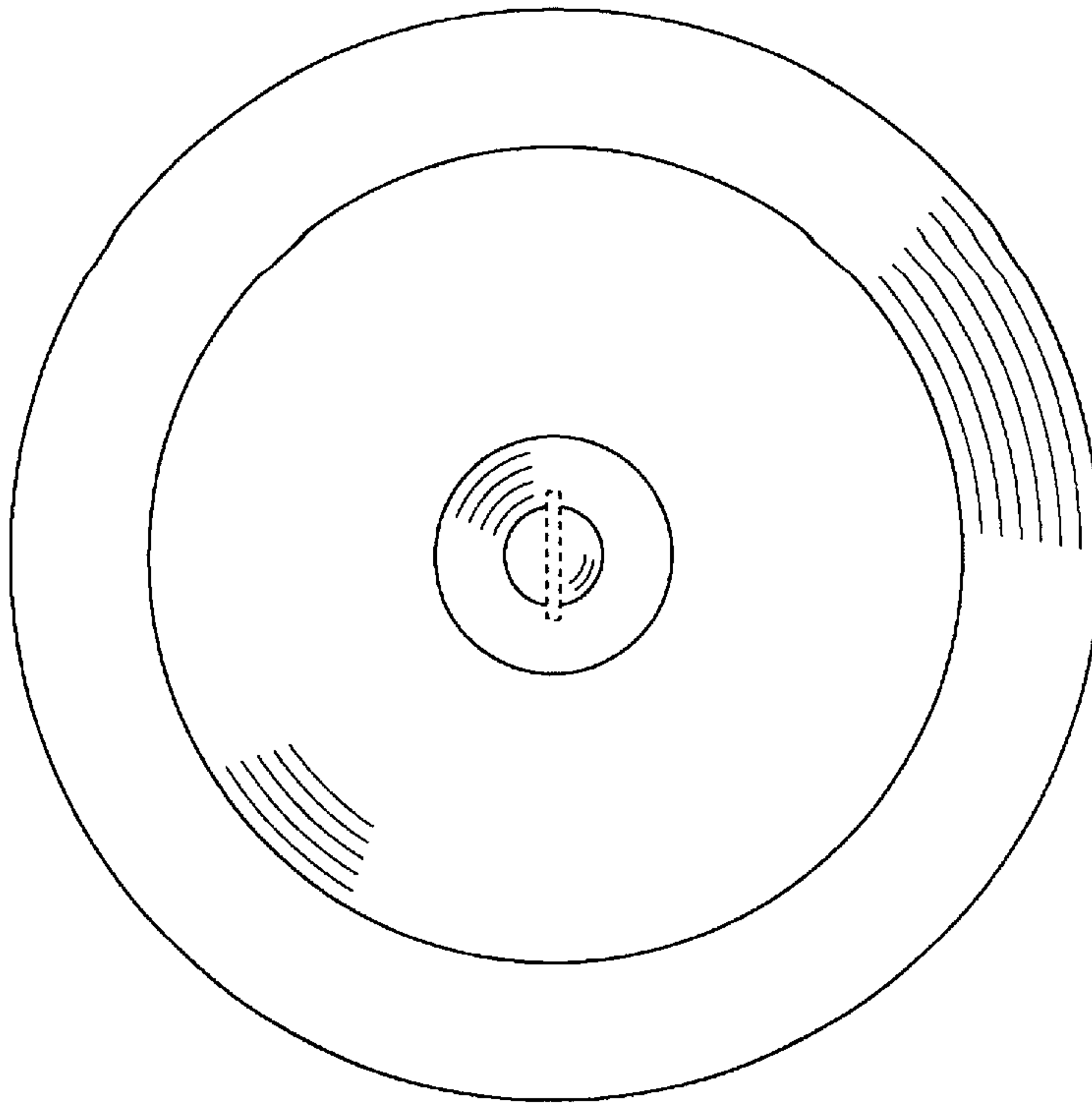


Figure 4

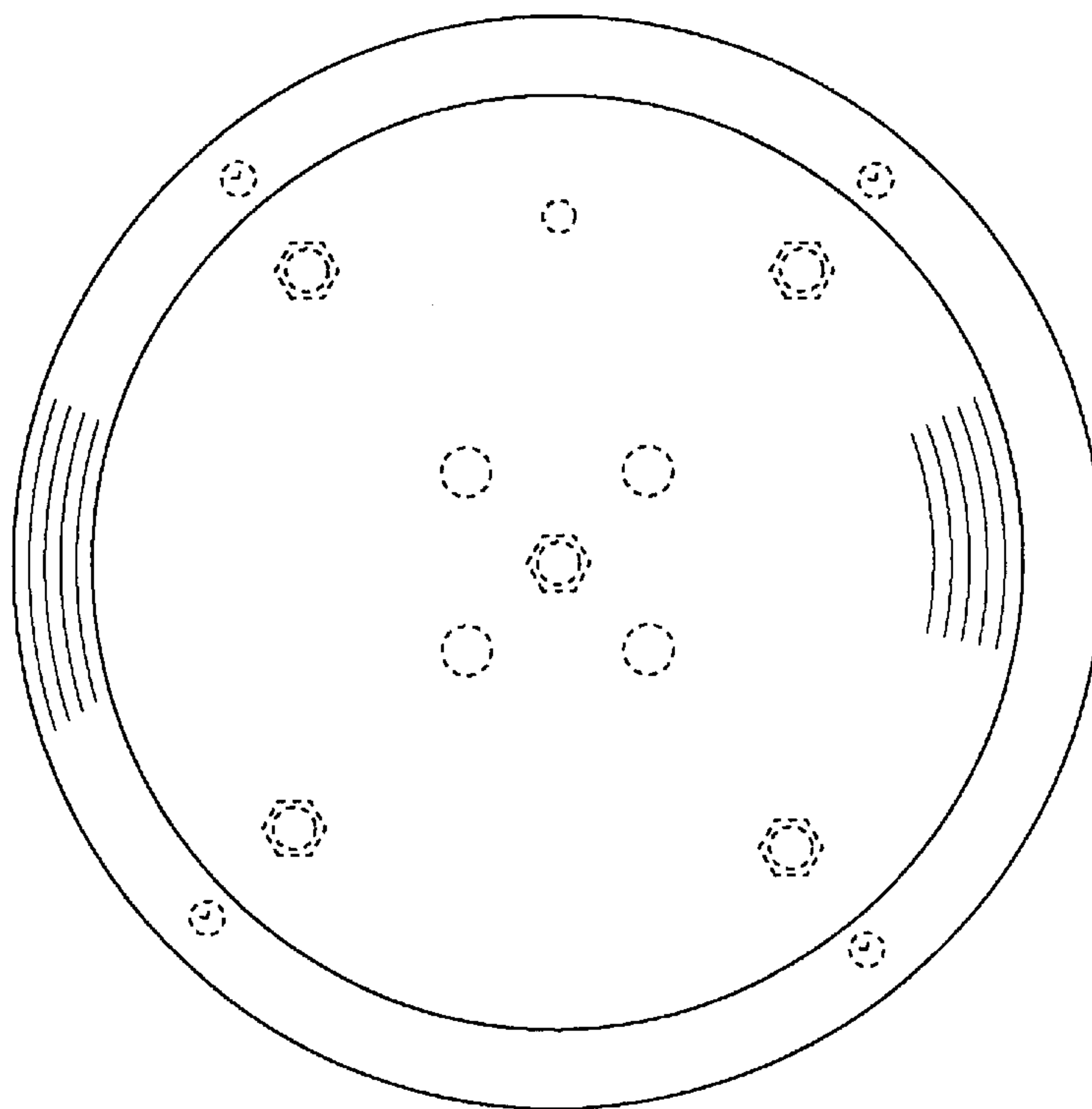


Figure 5