



US00D470257S

(12) **United States Design Patent**
Byggmästar

(10) **Patent No.:** **US D470,257 S**

(45) **Date of Patent:** **** Feb. 11, 2003**

(54) **LAMP FOR A VEHICLE**

D436,193 S * 1/2001 Iacovelli D26/28
D447,824 S * 9/2001 Hussaini et al. D26/28

(75) Inventor: **Klas Byggmästar**, Furuholmen (FI)

* cited by examiner

(73) Assignee: **Oy B. Hermans Ab**, Pietarsari (FI)

Primary Examiner—Marcus A. Jackson

(**) Term: **14 Years**

(74) *Attorney, Agent, or Firm*—Klauber & Jackson

(21) Appl. No.: **29/157,605**

(57) **CLAIM**

(22) Filed: **Mar. 21, 2002**

The ornamental design for a lamp for a vehicle, as shown and described.

(30) **Foreign Application Priority Data**

DESCRIPTION

Sep. 21, 2001 (FI) M20010630

(51) **LOC (7) Cl.** **26-06**

(52) **U.S. Cl.** **D26/28**

(58) **Field of Search** D26/28-36; 362/61,
362/80, 81, 82, 83, 83.4, 267, 269, 275

FIG. 1 is a front bottom perspective view of the lamp for a vehicle of my new design;

FIG. 2 is a bottom perspective view thereof taken from the left side;

FIG. 3 is a front elevational view thereof; and,

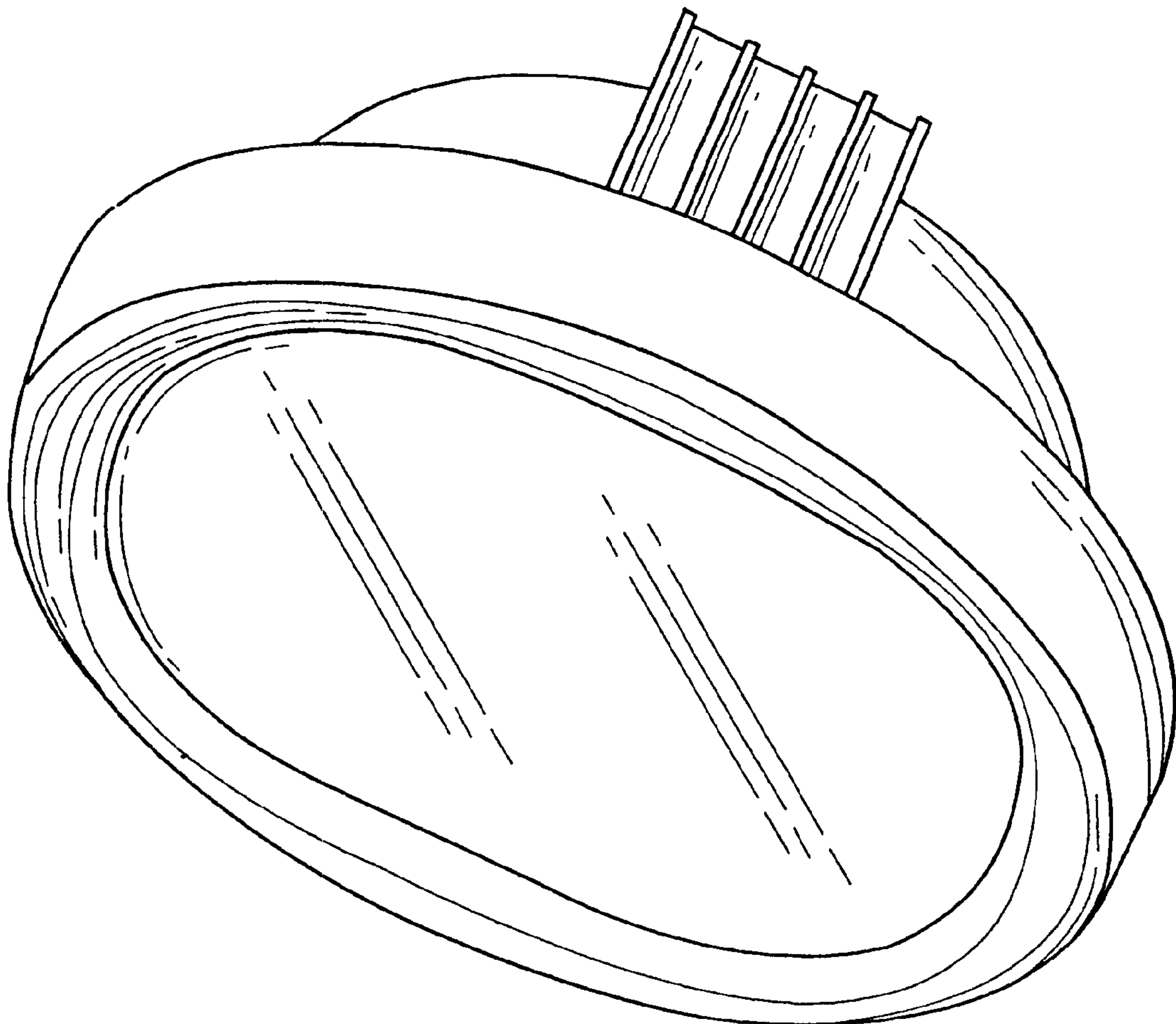
FIG. 4 is a right side view thereof, the left side view being identical thereto.

(56) **References Cited**

U.S. PATENT DOCUMENTS

D372,995 S * 8/1996 Huang D26/28

1 Claim, 2 Drawing Sheets



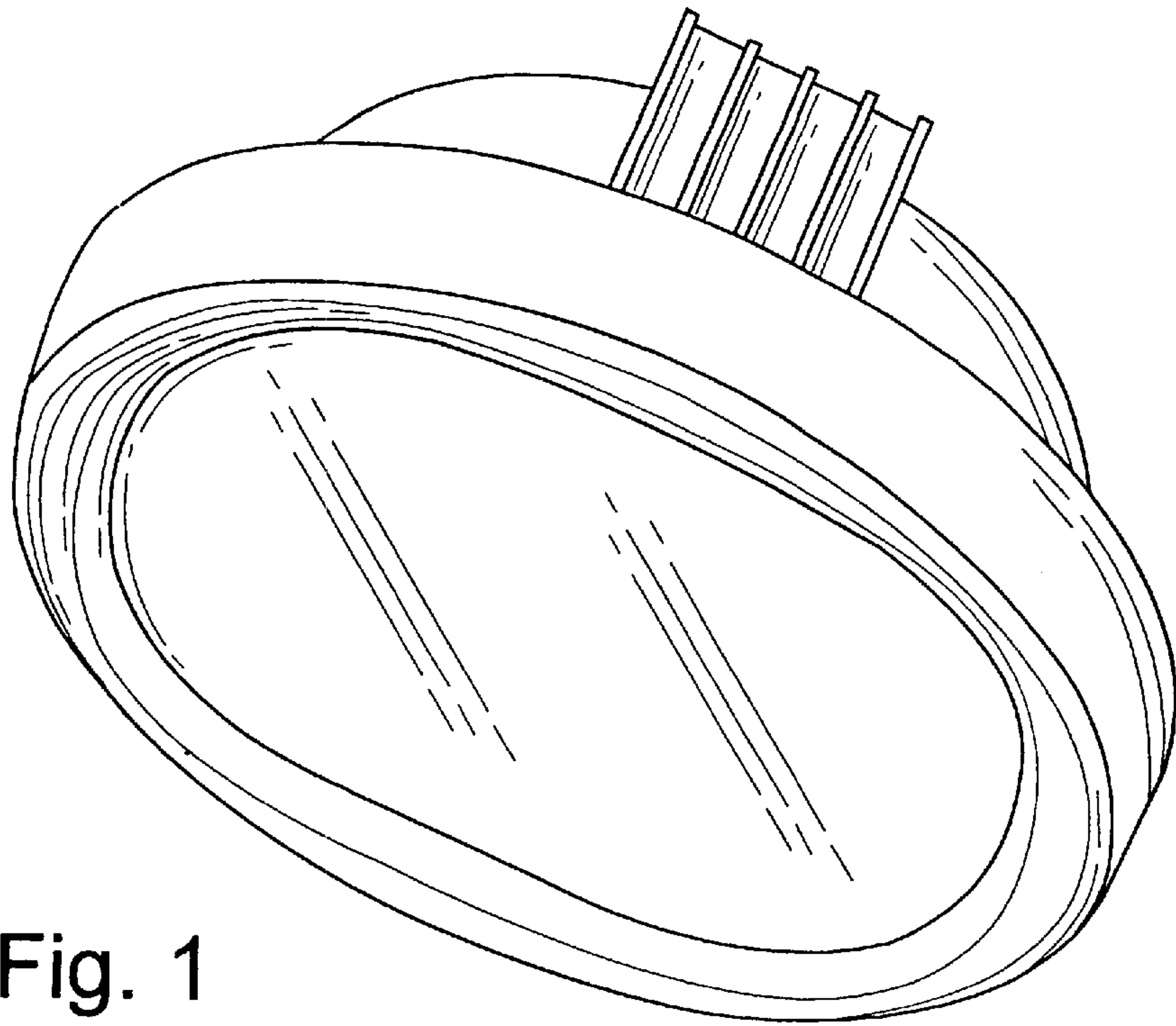


Fig. 1

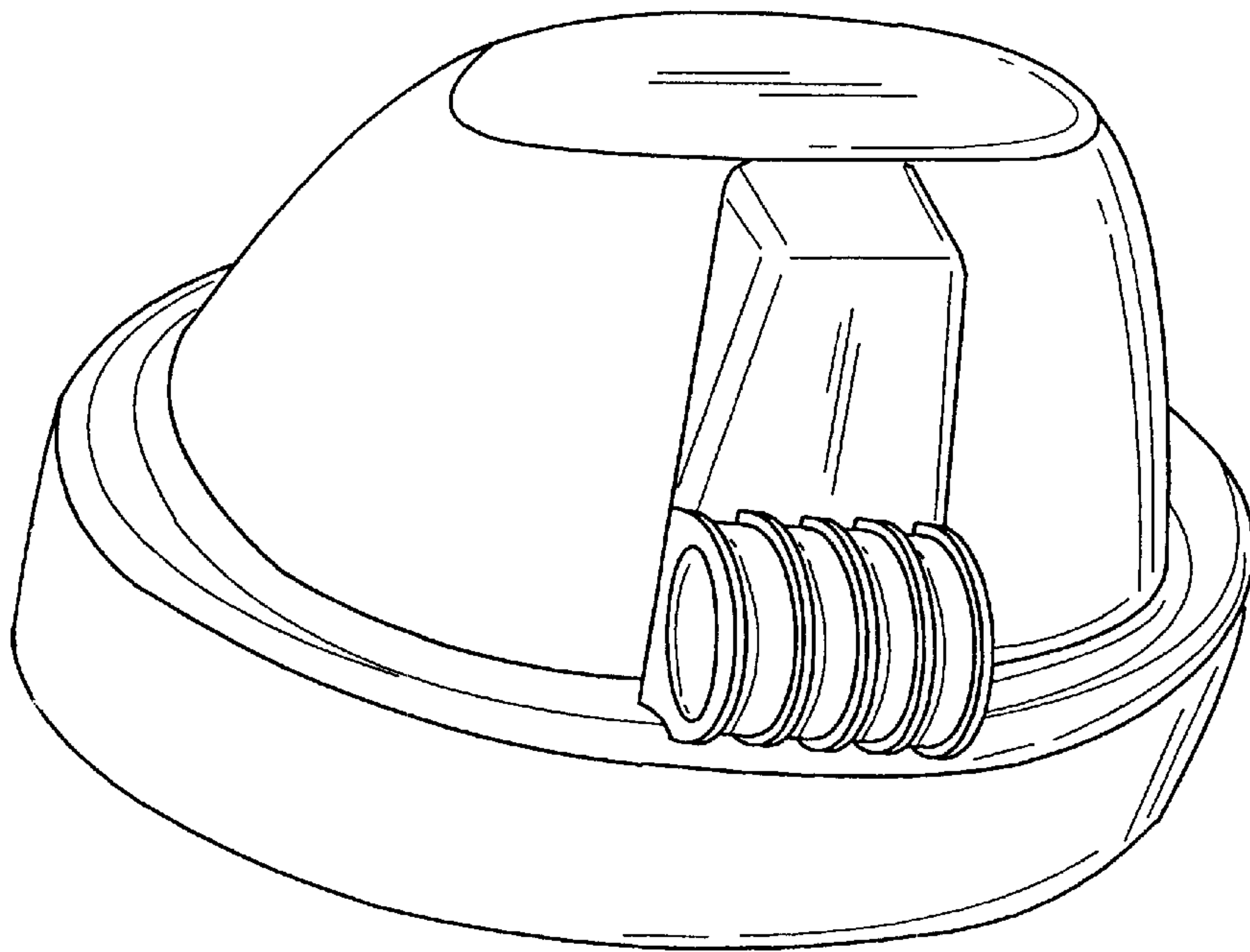


Fig. 2

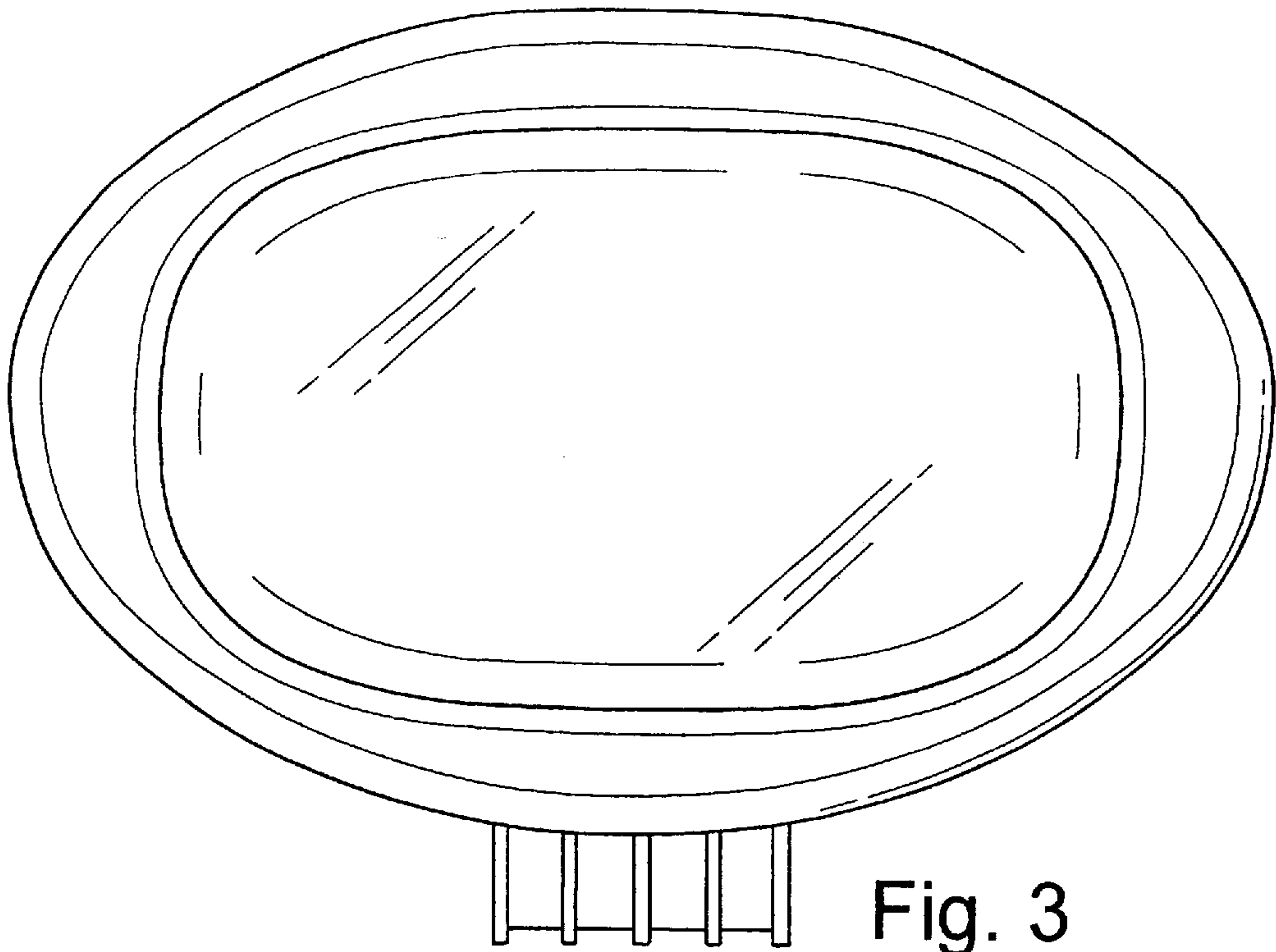


Fig. 3

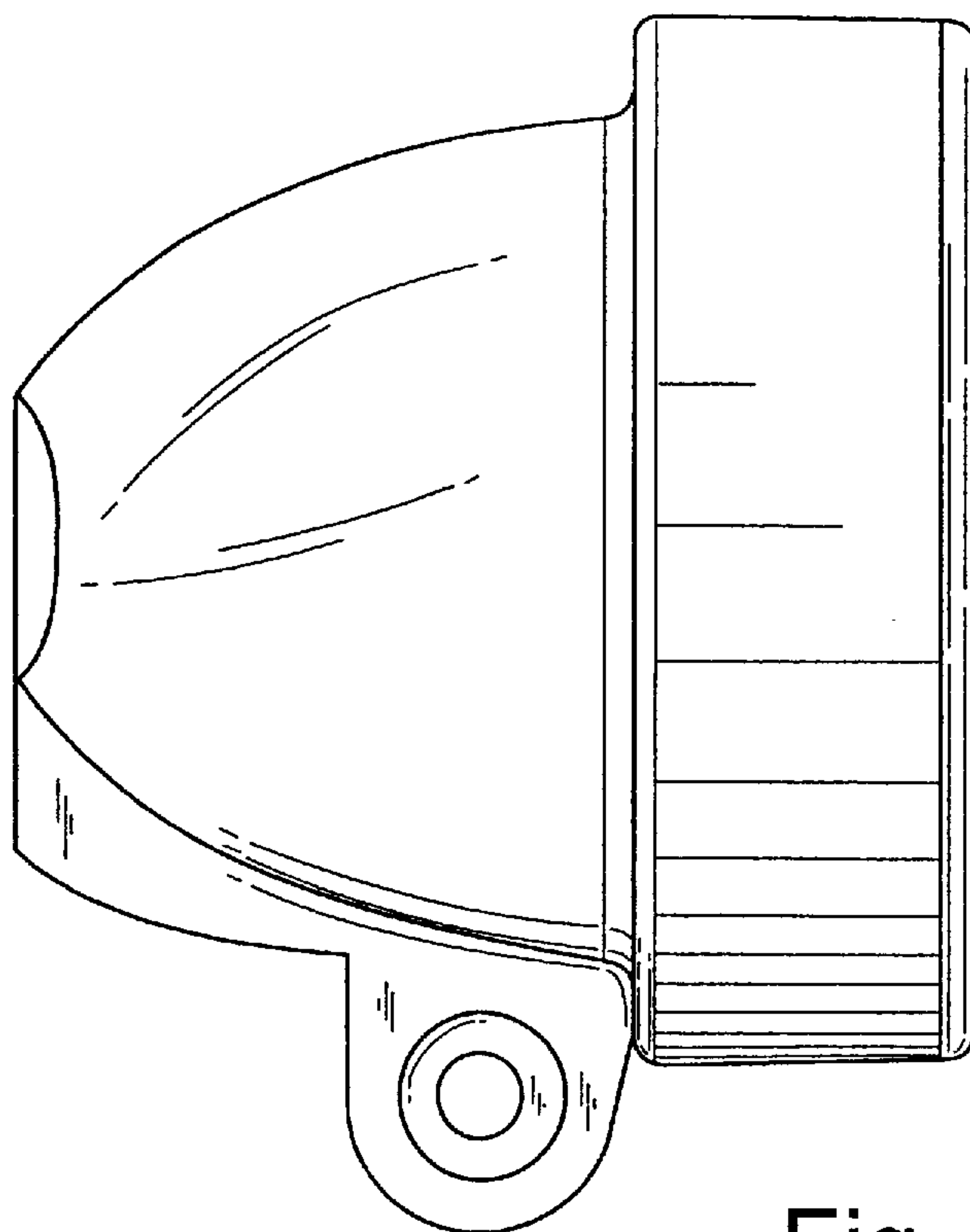


Fig. 4