



US00D470256S

(12) **United States Design Patent**
Crookes et al.

(10) **Patent No.:** **US D470,256 S**

(45) **Date of Patent:** **** Feb. 11, 2003**

(54) **TRACTOR HEADLIGHT MODULE**

D304,504 S * 11/1989 Chen D26/28
D341,118 S * 11/1993 Haun et al. D26/28

(75) Inventors: **William Edward Crookes**, Ann Arbor, MI (US); **Bengt Ake Nestell**, Pottstown, PA (US); **Rodney Keith Rowland**, Waverly, IA (US); **Eric Albert Keen**, Waterloo, IA (US); **Jae Hoon Choi**, Lake Peekskill, NY (US)

* cited by examiner

Primary Examiner—Marcus A. Jackson

(73) Assignee: **Deere & Company**, Moline, IL (US)

(**) Term: **14 Years**

(57) **CLAIM**

The ornamental design for a tractor headlight module, as shown and described.

(21) Appl. No.: **29/129,463**

(22) Filed: **Sep. 14, 2000**

DESCRIPTION

(51) **LOC (7) Cl.** **26-06**

(52) **U.S. Cl.** **D26/28**

(58) **Field of Search** D10/120; D12/99,
D12/100, 173; D26/28-36; 340/460, 463,
474; 362/80

FIG. 1 is a side view of a tractor headlight module showing our new design mounted on a tractor.

FIG. 2 is an elevated side perspective view of the tractor headlight module design of FIG. 1.

FIG. 3 is a right side view of the tractor headlight module design of FIG. 1.

FIG. 4 is a front view of the tractor headlight module design of FIG. 1.

FIG. 5 is a right side view of the tractor headlight module design of FIG. 1; and,

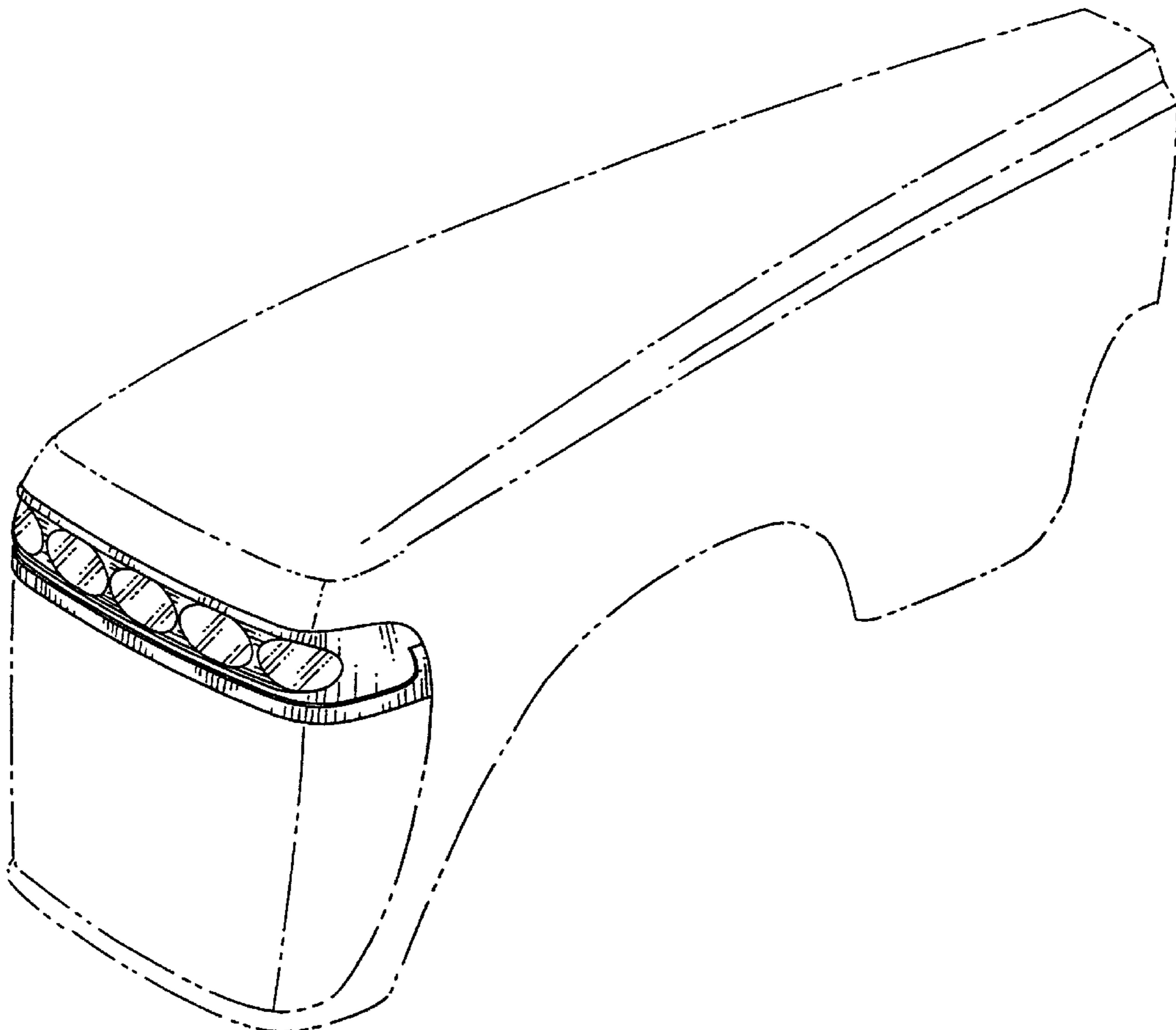
FIG. 6 is a top view of the tractor headlight module design of FIG. 1.

(56) **References Cited**

U.S. PATENT DOCUMENTS

D279,771 S * 7/1985 Hinata D10/120

1 Claim, 3 Drawing Sheets



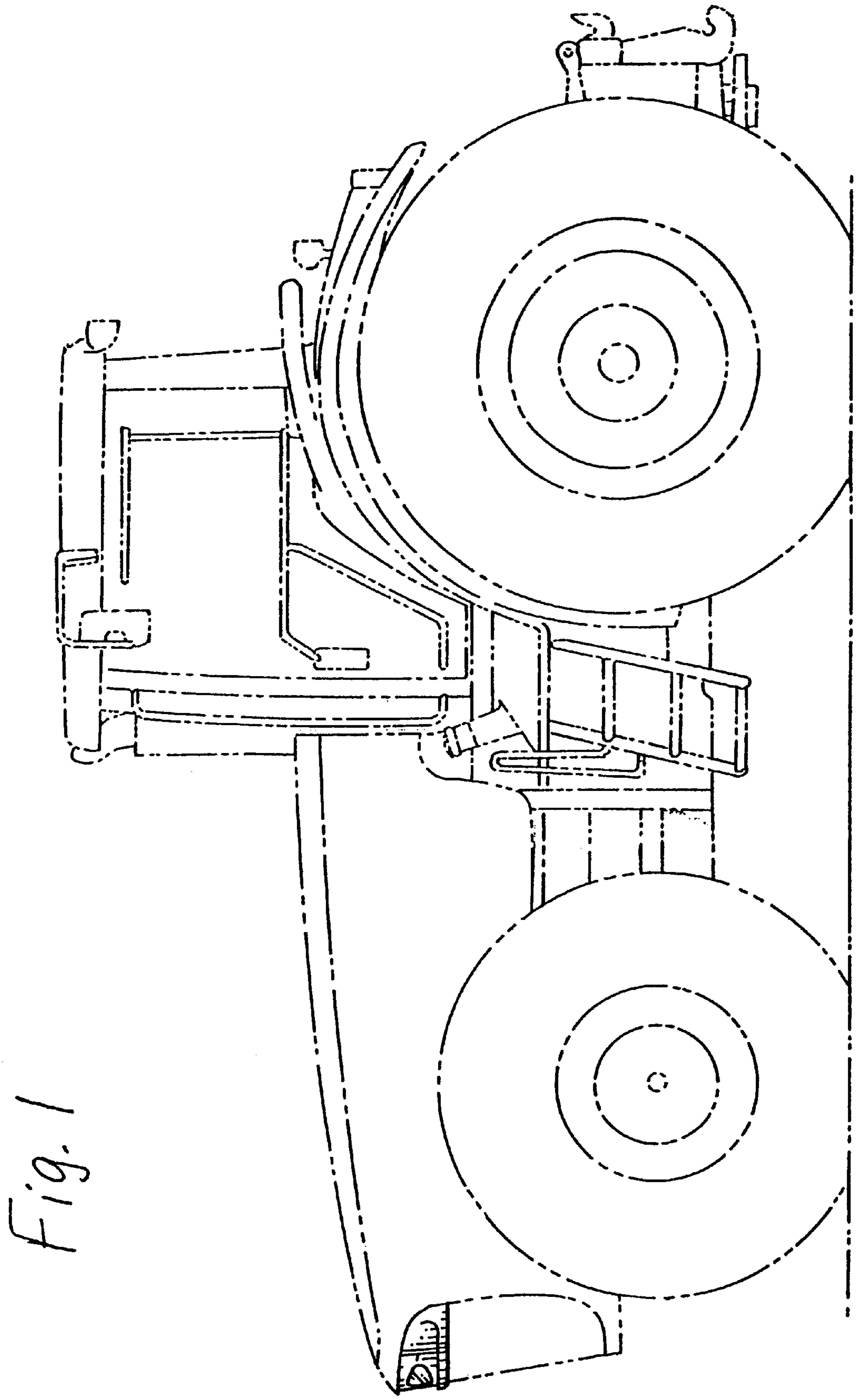


Fig. 1

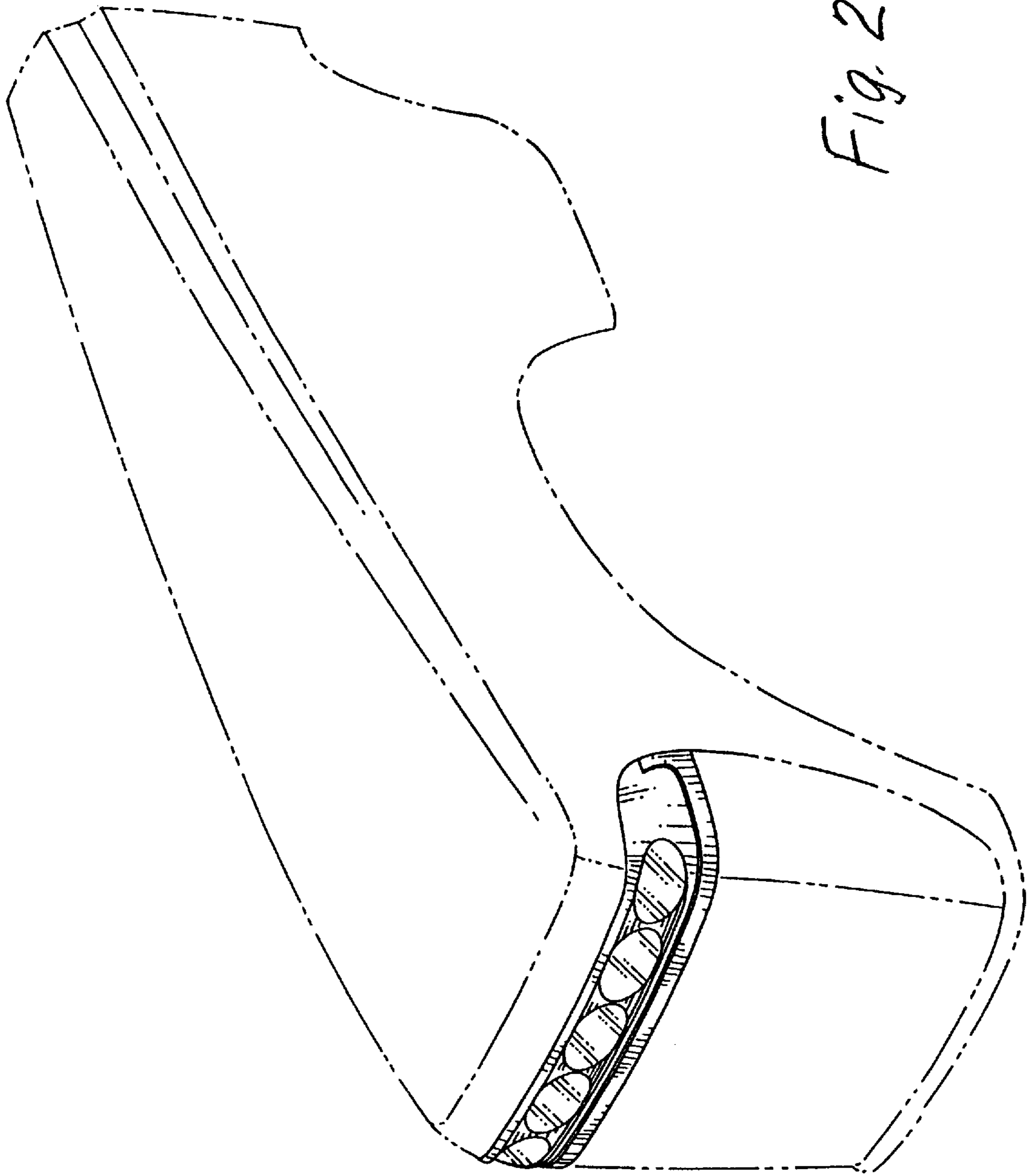


Fig. 2

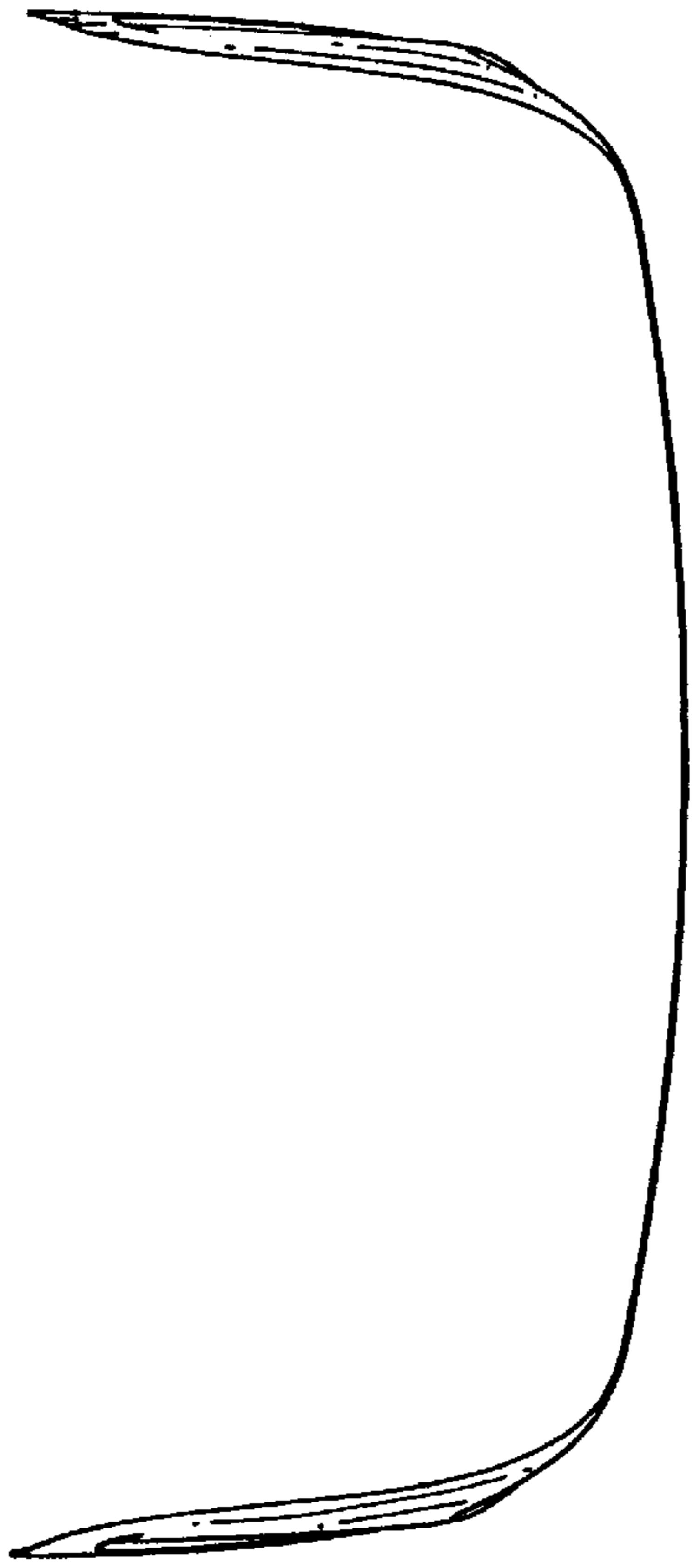


Fig. 6

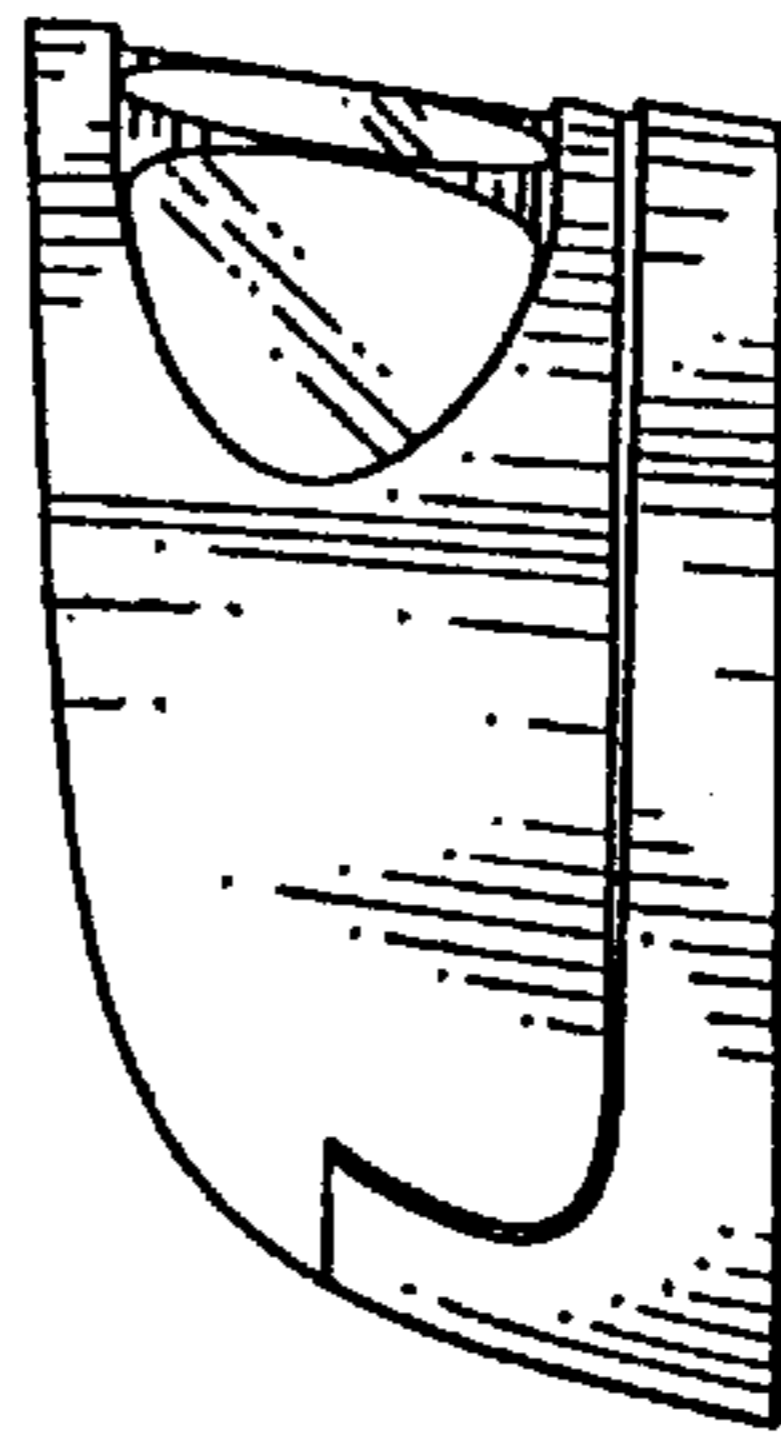


Fig. 3

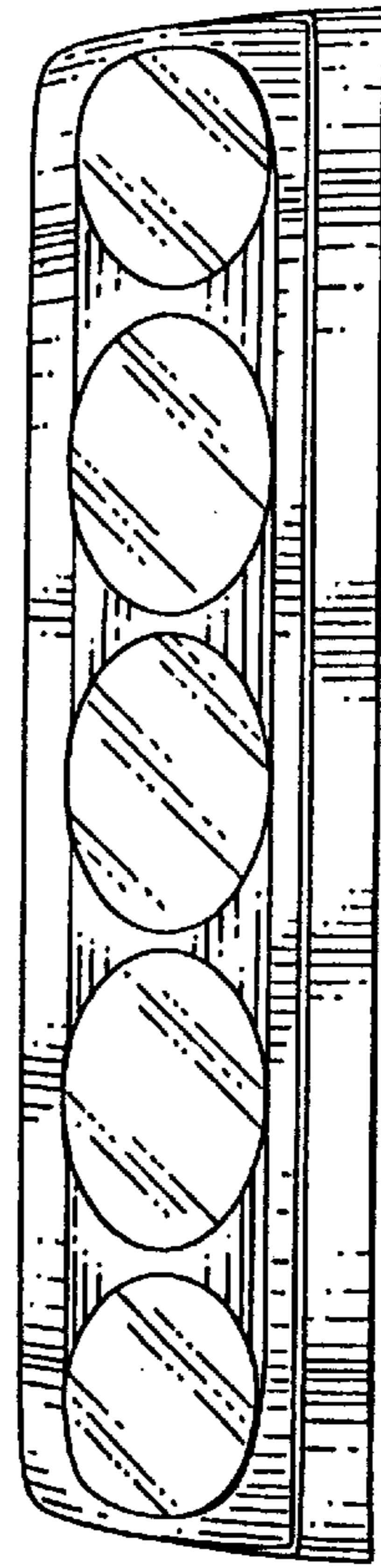


Fig. 4

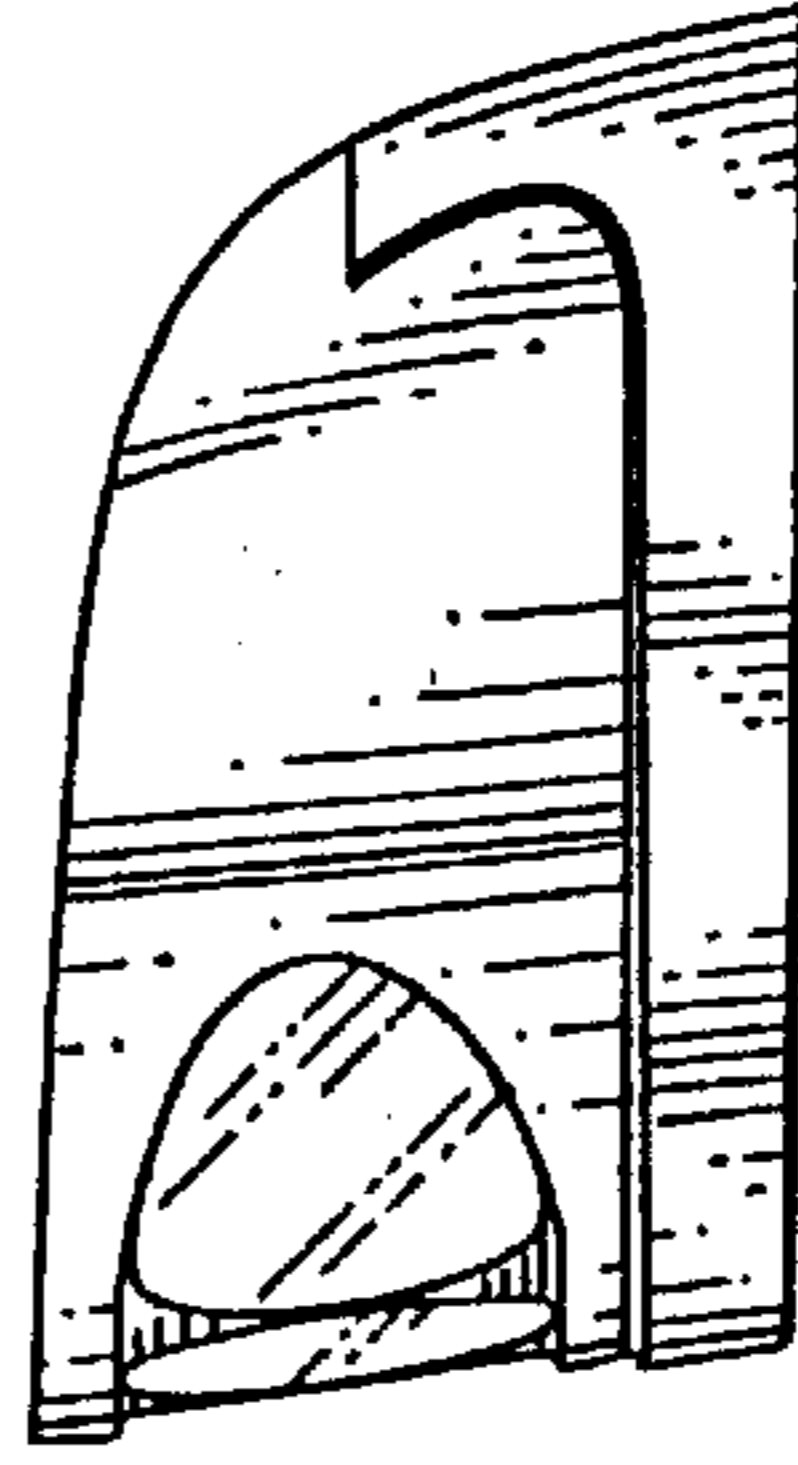


Fig. 5