



US00D470255S

(12) **United States Design Patent**
Lodhie

(10) **Patent No.:** **US D470,255 S**

(45) **Date of Patent:** **** Feb. 11, 2003**

(54) **LED LIGHT BULB**

D434,510 S 11/2000 Lodhie

(76) Inventor: **Pervaiz Lodhie**, 23105 Kashiwa Ct.,
Torrance, CA (US) 90505

* cited by examiner

(**) Term: **14 Years**

Primary Examiner—Marcus A. Jackson
(74) *Attorney, Agent, or Firm*—Eric Karich

(21) Appl. No.: **29/159,710**

(57) **CLAIM**

(22) Filed: **Apr. 25, 2002**

The ornamental design for a “LED light bulb”, as shown and described.

(51) **LOC (7) Cl.** **26-04**

DESCRIPTION

(52) **U.S. Cl.** **D26/3**

(58) **Field of Search** D26/1, 2, 3, 26;
362/236, 240, 244, 246, 249, 806; 313/313,
317; 315/56, 57, 58

FIG. 1 is a perspective view of a LED light bulb, showing my new design;

FIG. 2 is a front elevational view thereof;

FIG. 3 is a rear elevational view thereof;

FIG. 4 is a left side elevational view thereof;

FIG. 5 is a right side elevational view thereof;

FIG. 6 is a top plan view thereof; and,

FIG. 7 is a bottom plan view thereof.

(56) **References Cited**

U.S. PATENT DOCUMENTS

D385,051 S	*	10/1997	Wu	D26/2
D402,772 S	*	12/1998	Lodhie	D26/3
D404,506 S		1/1999	Lodhie		
D405,201 S		2/1999	Lodhie		

1 Claim, 2 Drawing Sheets

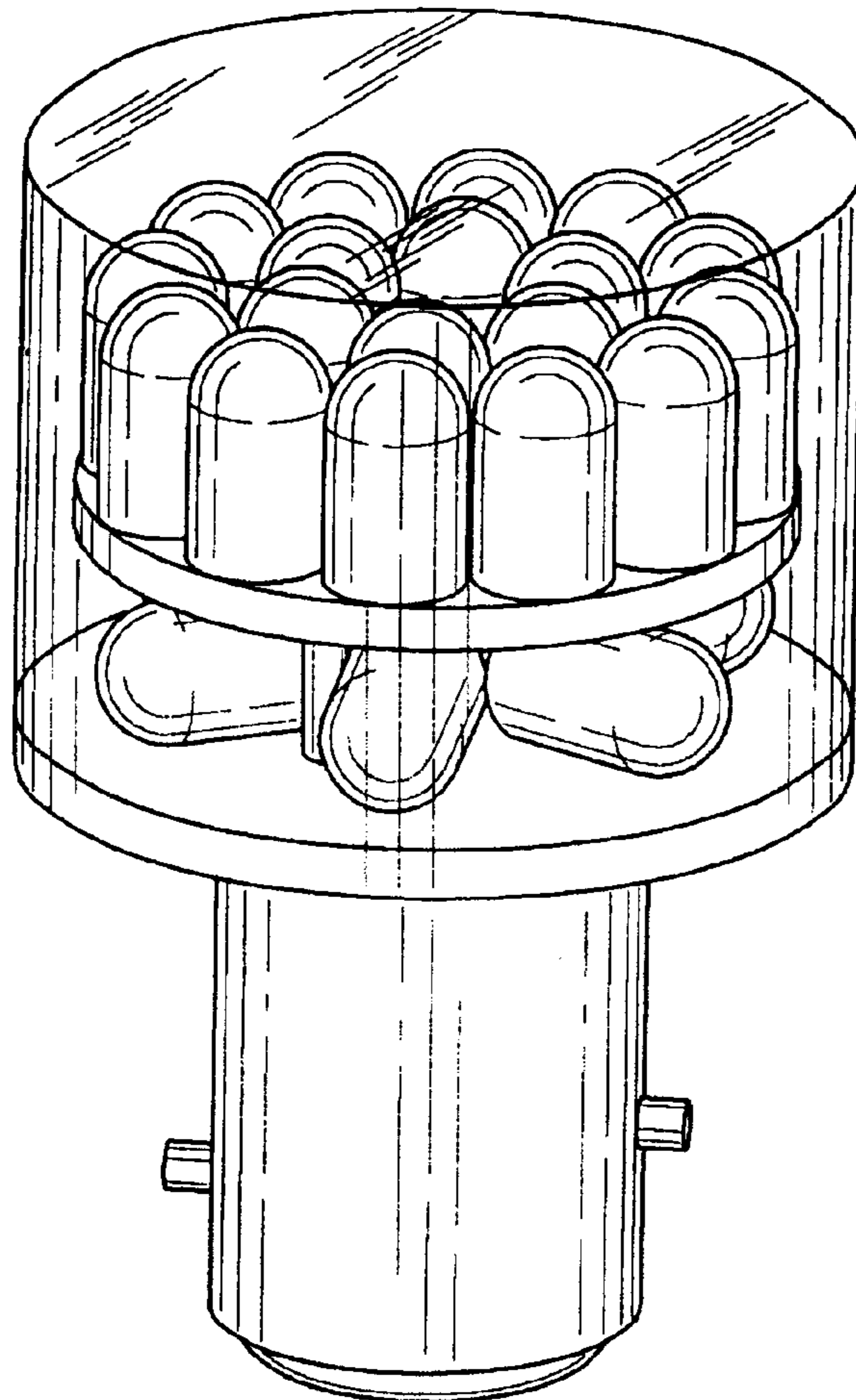


Fig. 1

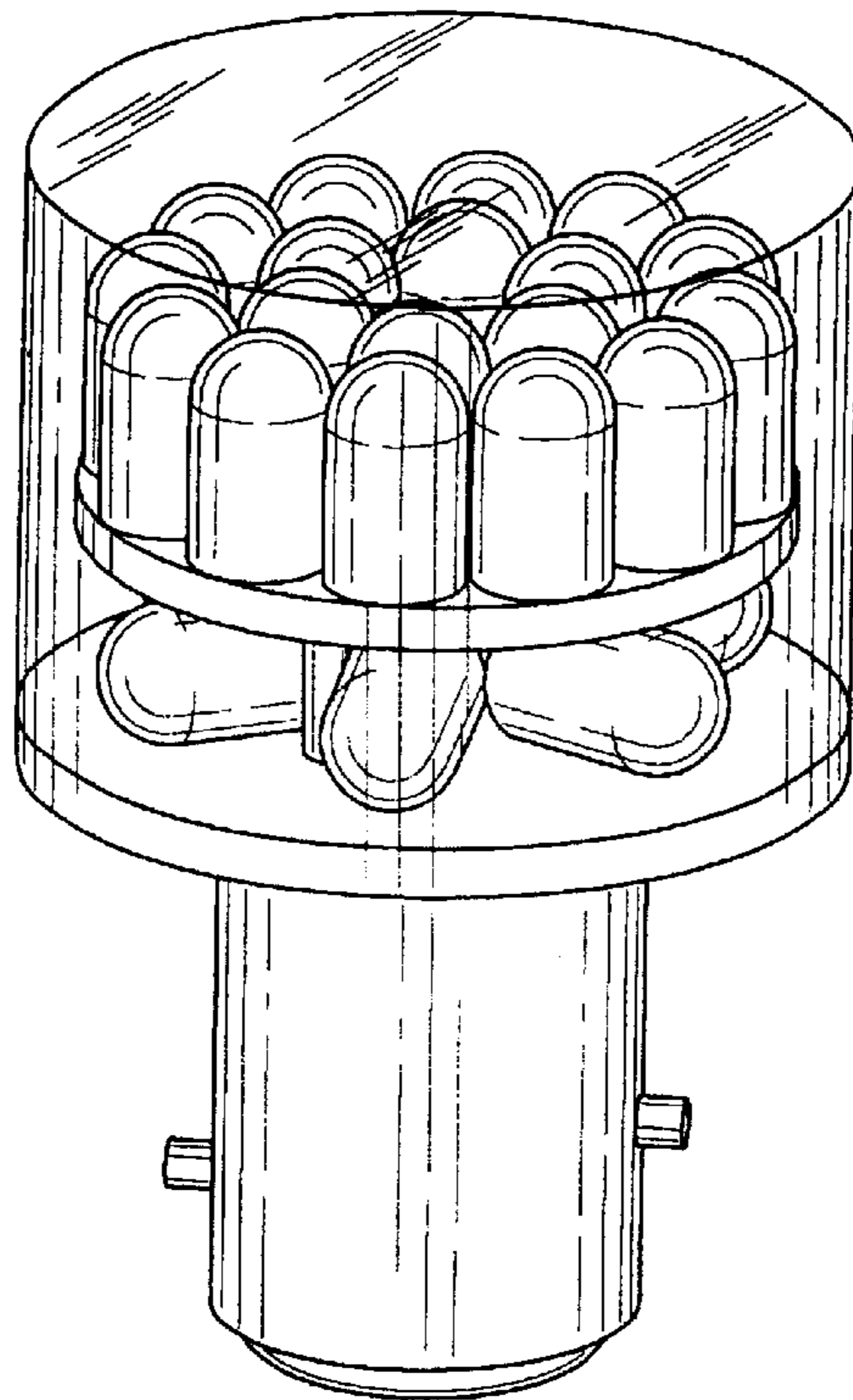


Fig. 2

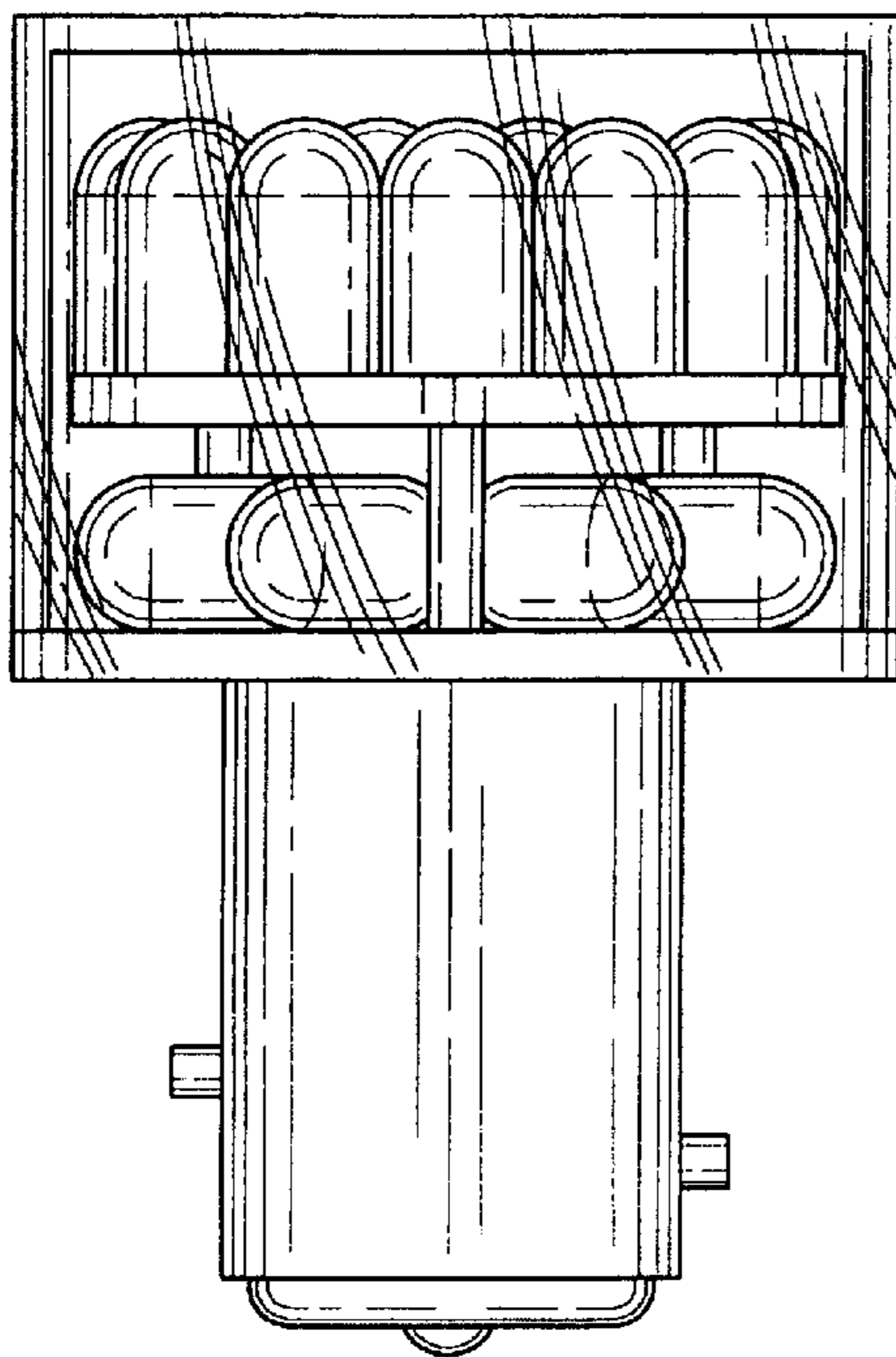


Fig. 3

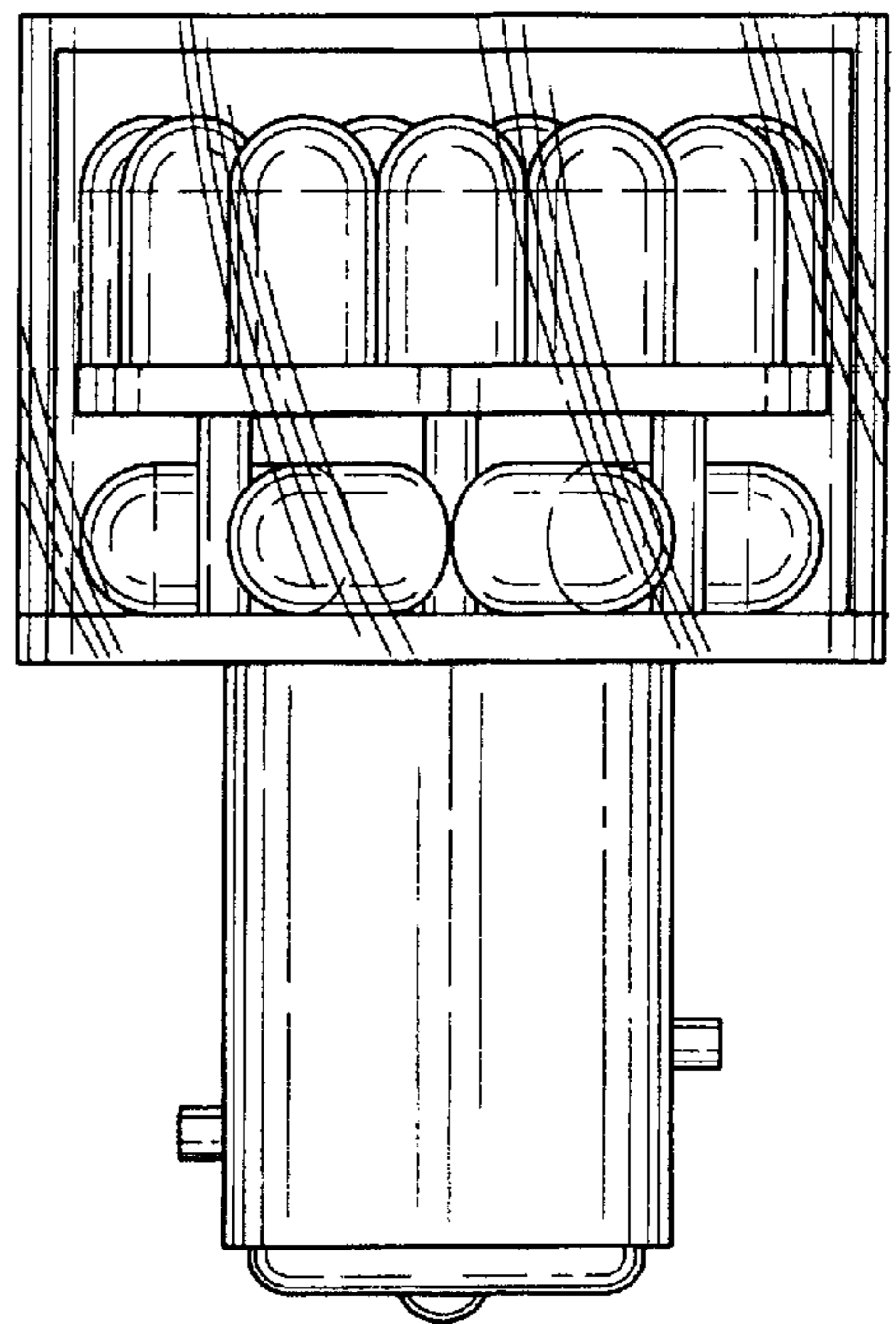


Fig. 4

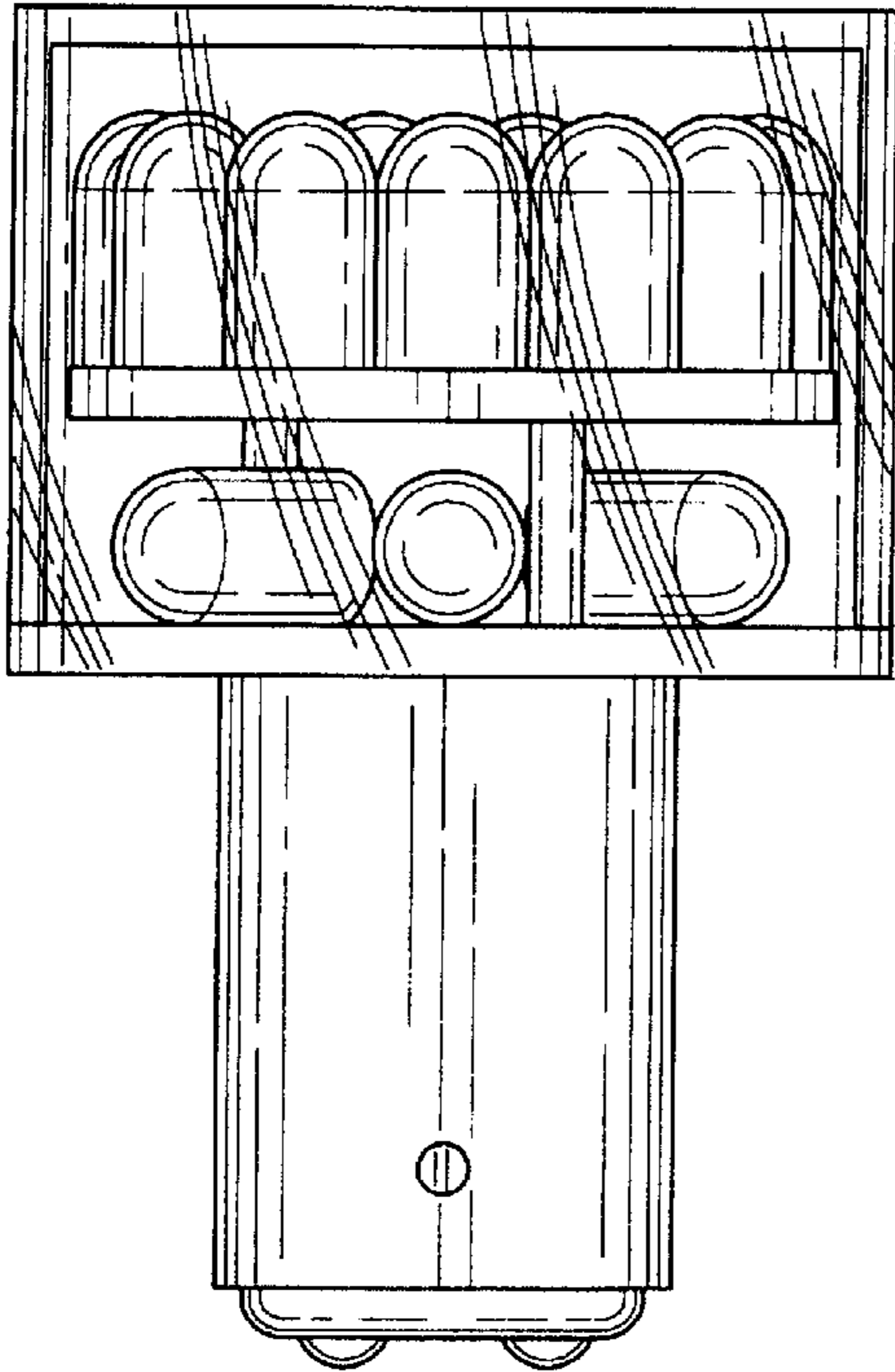


Fig. 5

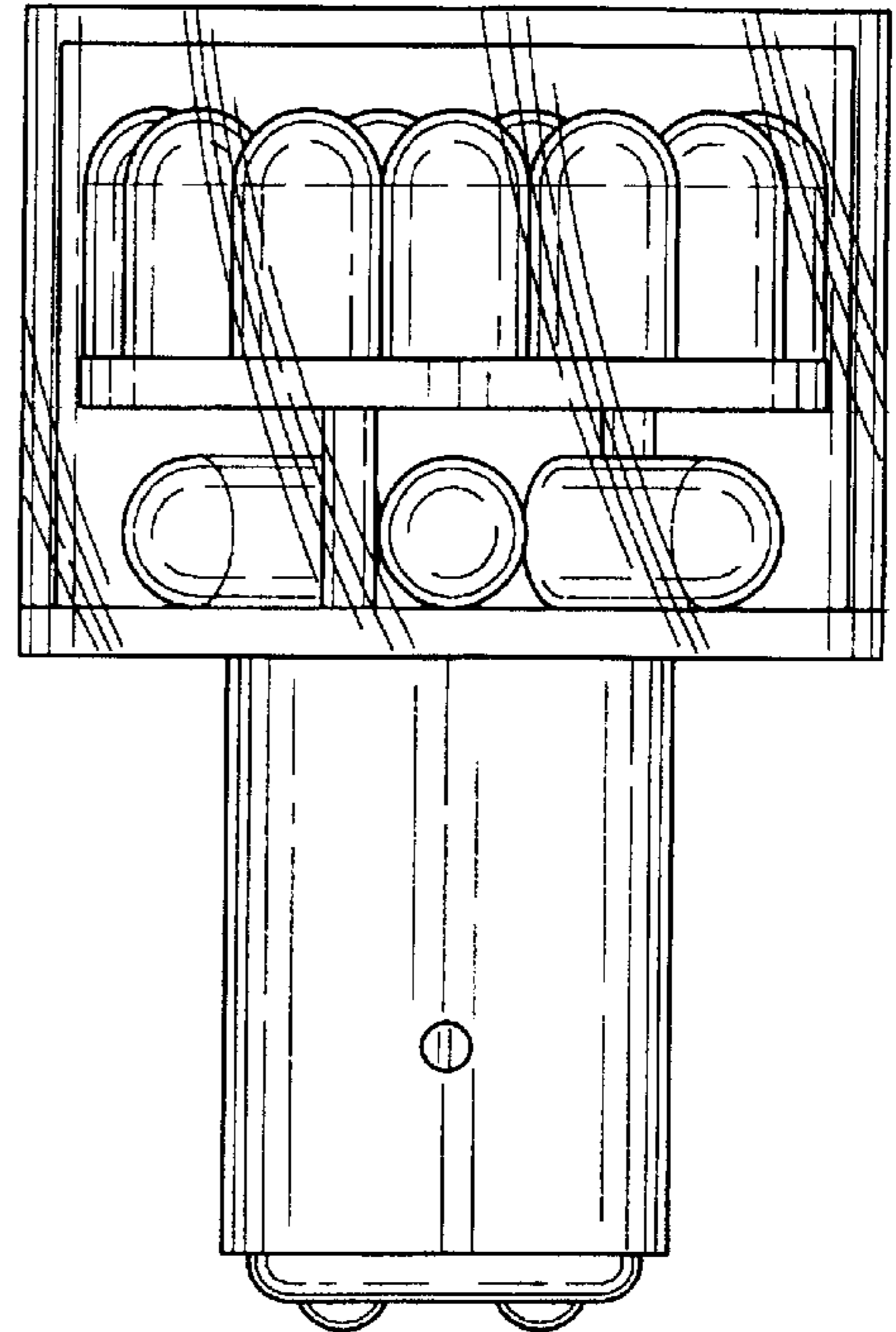


Fig. 6

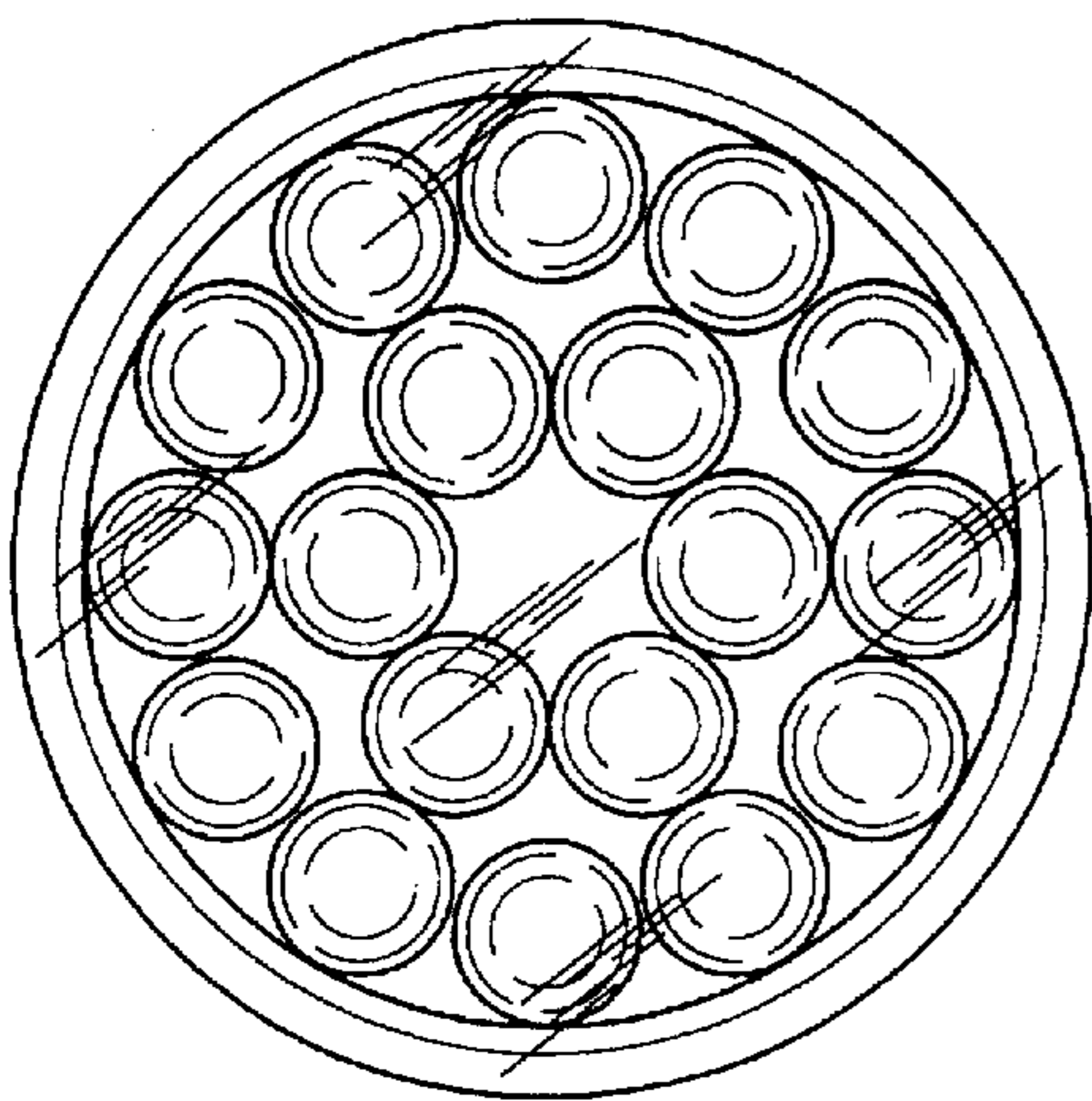


Fig. 7

