



US00D470252S

(12) **United States Design Patent**
Castrey

(10) **Patent No.:** **US D470,252 S**

(45) **Date of Patent:** **** Feb. 11, 2003**

- (54) **FLOOD BARRIER WITH REMOVABLE INSERT FOR DOORWAY**
- (76) Inventor: **Karl G. Castrey**, 9 Fuller Street, Stoke-on-Trent ST6-6DB (GB)
- (**) Term: **14 Years**
- (21) Appl. No.: **29/160,964**
- (22) Filed: **May 21, 2002**
- (51) **LOC (7) Cl.** **25-01**
- (52) **U.S. Cl.** **D25/138**
- (58) **Field of Search** D25/138; 52/169.1, 52/169.14, 169.5, 169.6

- D354,821 S * 1/1995 Janesky D25/138
- 5,584,760 A 12/1996 Green
- 5,803,145 A 9/1998 Lamb
- 5,852,899 A 12/1998 Finley
- 5,974,755 A * 11/1999 Pouwels 52/169.5

* cited by examiner

Primary Examiner—Doris Clark

(74) *Attorney, Agent, or Firm*—Donald R. Schoonover

(57) **CLAIM**

The ornamental design for a flood barrier with removable insert for doorway, as shown and described.

DESCRIPTION

FIG. 1 is a perspective view of the flood barrier with removable insert for doorway embodying the design of the present invention;

FIG. 2 is a front elevational view thereof;

FIG. 3 is a rear elevational view thereof;

FIG. 4 is a left side elevational view thereof, the right side elevational view being a mirror image thereof;

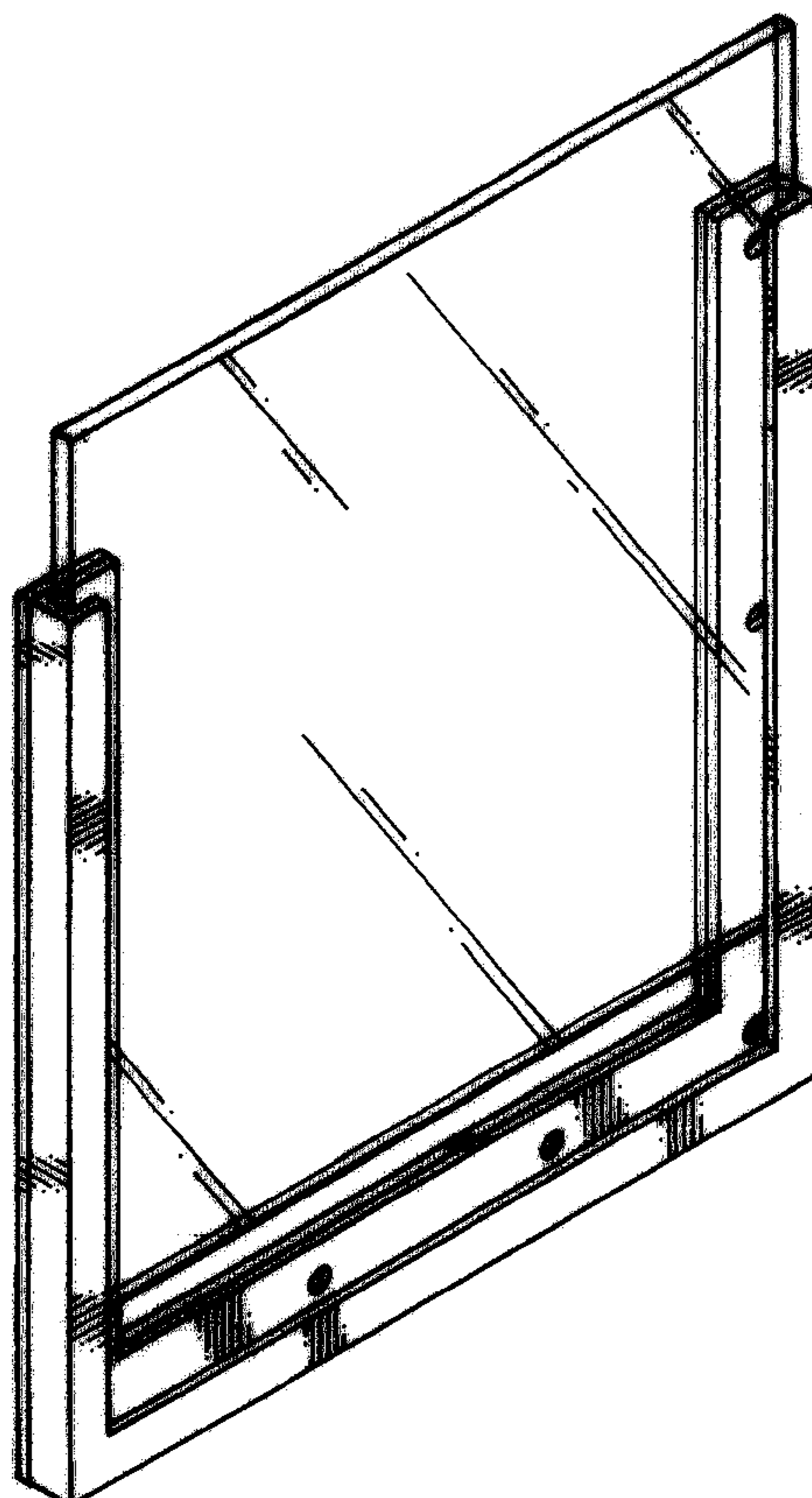
FIG. 5 is a top plan view thereof;

FIG. 6 is a bottom plan view thereof; and,

FIG. 7 is a perspective view showing the flood barrier with removable insert for doorway in use; the broken lines depict environmental structure and form no part of the claimed design.

- (56) **References Cited**
- U.S. PATENT DOCUMENTS**
- 3,026,581 A 3/1962 Collin et al.
- 3,081,852 A 3/1963 Mendelsohn
- 3,126,052 A 3/1964 Tonnon
- 3,466,801 A 9/1969 Bohn
- 3,757,812 A 9/1973 Duncan
- 3,916,548 A 11/1975 Langer
- 4,375,929 A 3/1983 Clark
- 4,488,386 A 12/1984 Thompson
- 4,692,060 A 9/1987 Jackson, III
- 4,971,130 A 11/1990 Bentley
- 5,007,217 A 4/1991 Glover et al.
- 5,077,945 A 1/1992 Koeniger

1 Claim, 3 Drawing Sheets



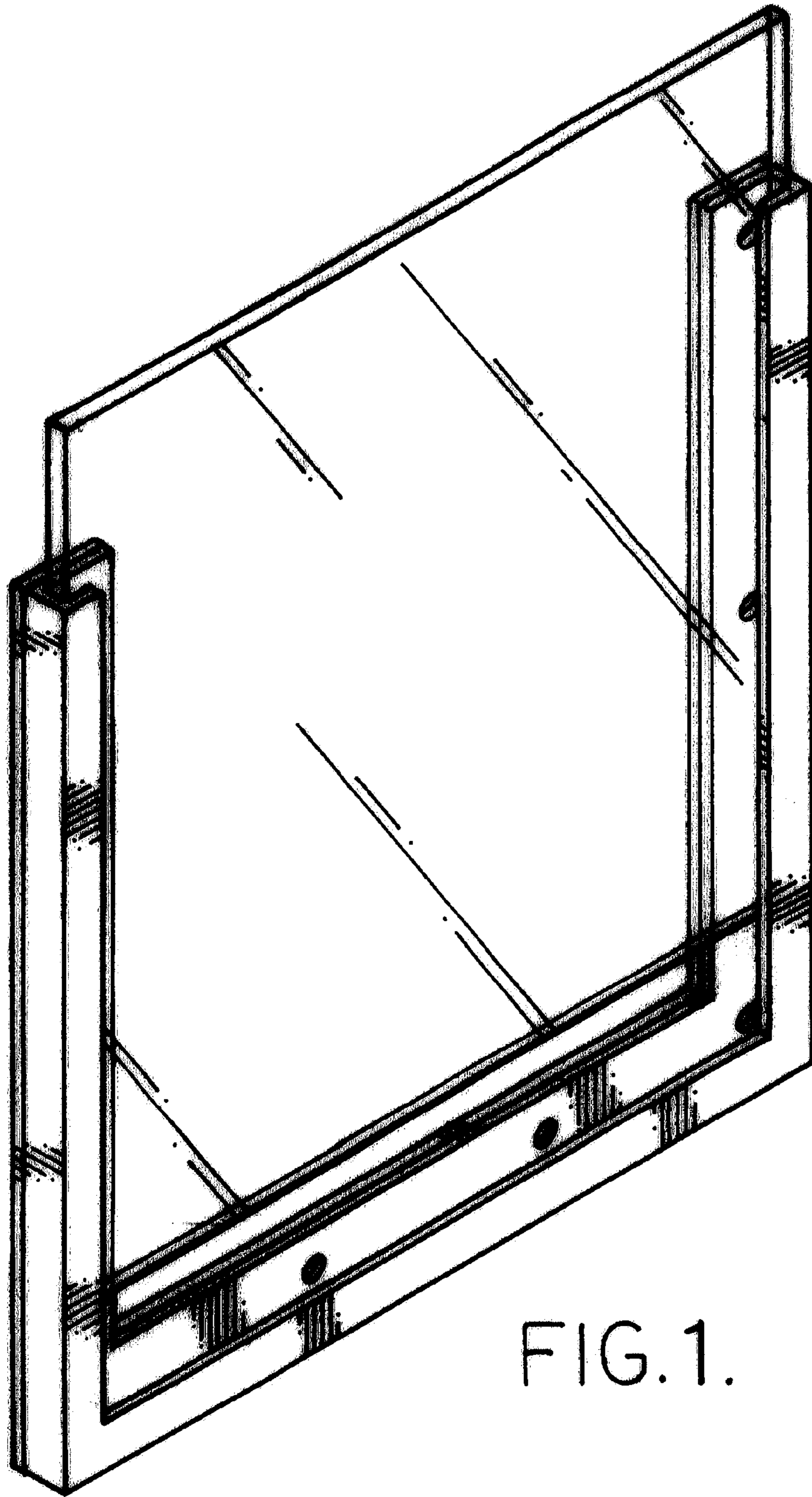


FIG. 1.



FIG. 5.

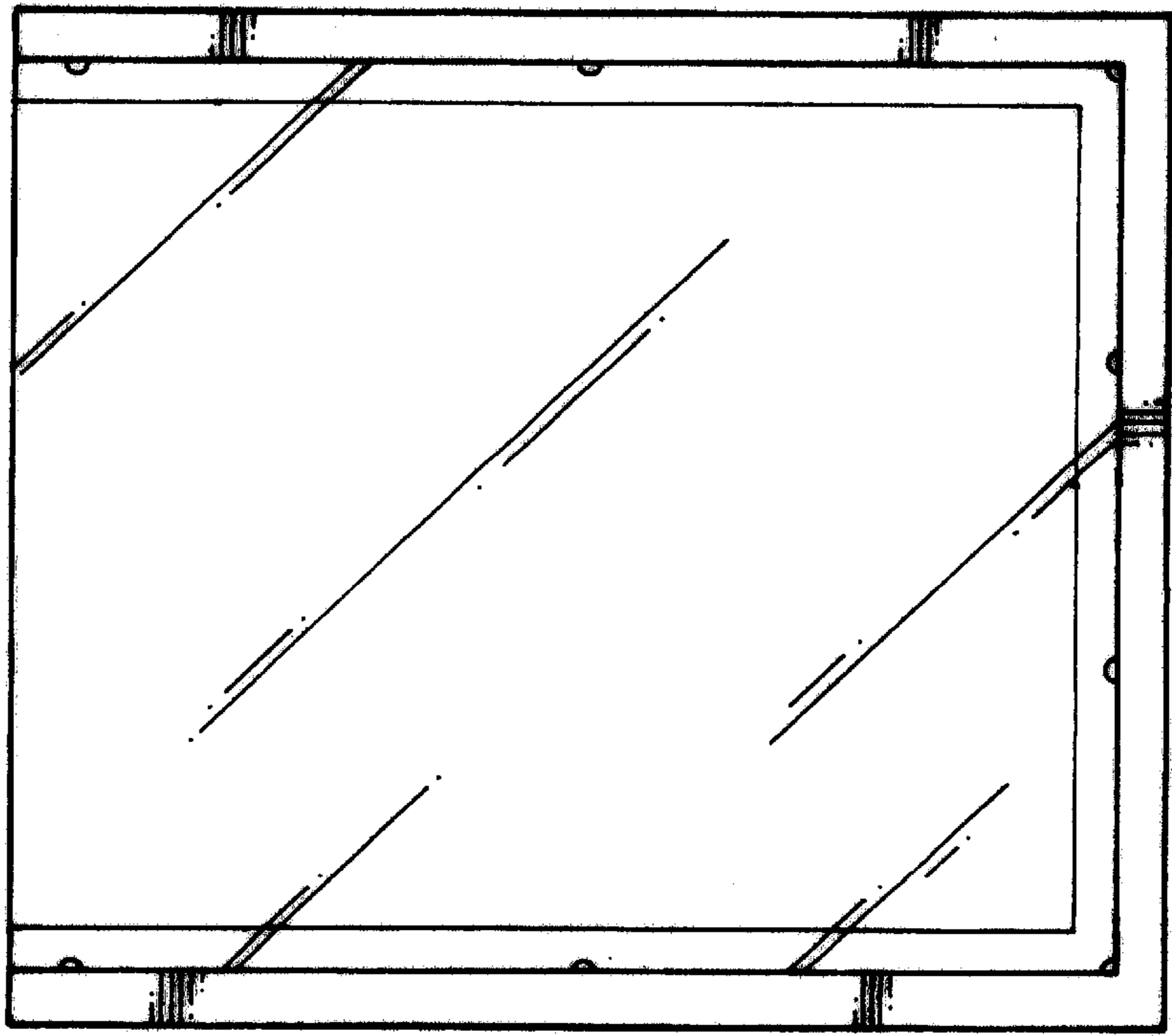


FIG. 2.

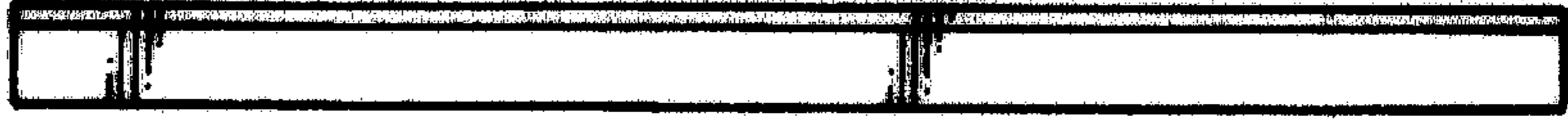


FIG. 4.

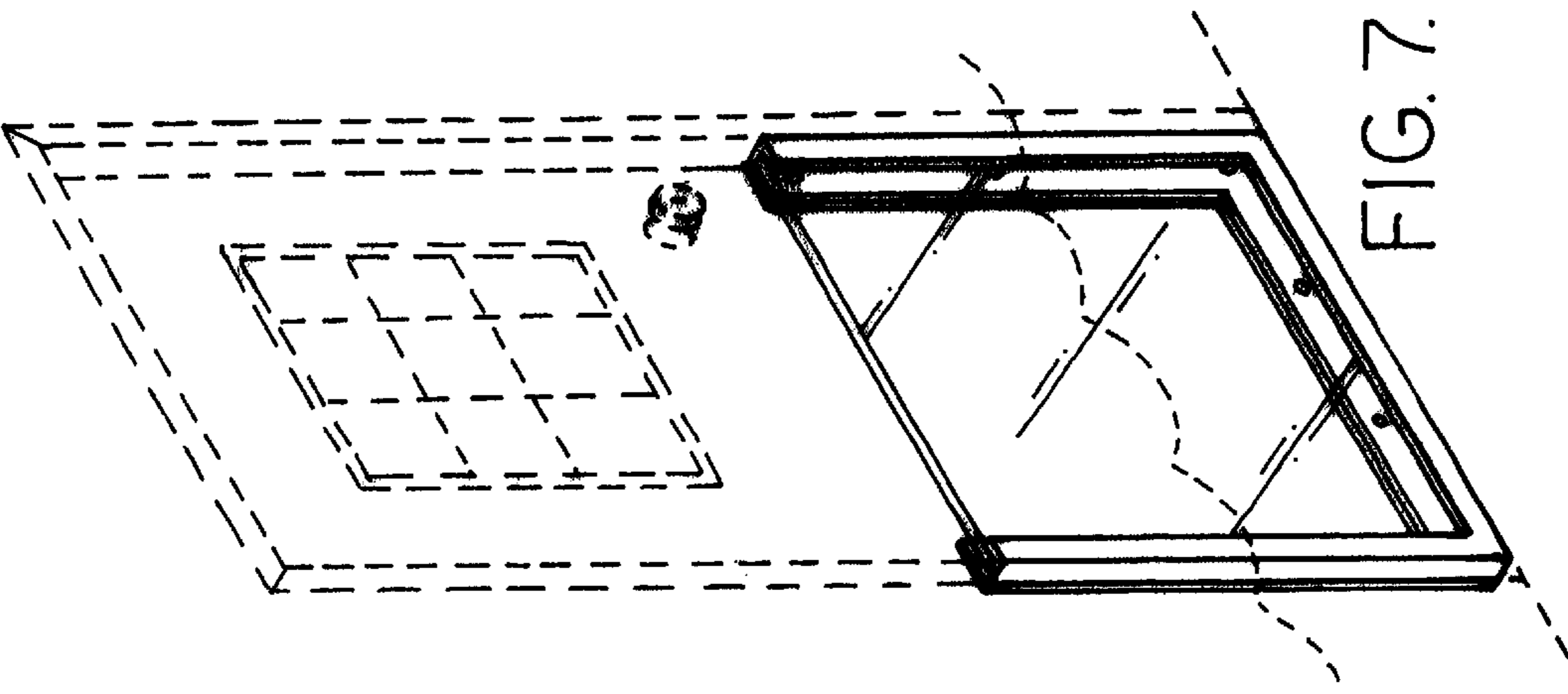


FIG. 7.

FIG. 6.



FIG. 3.

