



US00D470251S

(12) **United States Design Patent**
Cole

(10) **Patent No.:** **US D470,251 S**

(45) **Date of Patent:** **** Feb. 11, 2003**

(54) **WINDOW COMPONENT EXTRUSION**

D402,058 S * 12/1998 Leonelli D25/125
D417,507 S * 12/1999 Oliver D25/124

(75) Inventor: **Douglas L. Cole**, Seattle, WA (US)

* cited by examiner

(73) Assignee: **Mikron Industries, Inc.**, Kent, WA (US)

Primary Examiner—Doris Clark

(**) Term: **14 Years**

(74) *Attorney, Agent, or Firm*—Seed IP Law Group PLLC

(21) Appl. No.: **29/160,307**

(57) **CLAIM**

(22) Filed: **May 7, 2002**

The ornamental design for a window component extrusion, as shown and described.

(51) **LOC (7) Cl.** **25-01**

DESCRIPTION

(52) **U.S. Cl.** **D25/125**

(58) **Field of Search** D25/124, 125;
49/501, 505, DIG. 2; 52/204.1, 204.5

FIG. 1 is a top right perspective view of the window component extrusion which is broken in the center indicating indefinite length; and,

(56) **References Cited**

FIG. 2 is a bottom left perspective view of the window component extrusion shown in FIG. 1.

U.S. PATENT DOCUMENTS

D343,012 S 1/1994 Cole

1 Claim, 1 Drawing Sheet

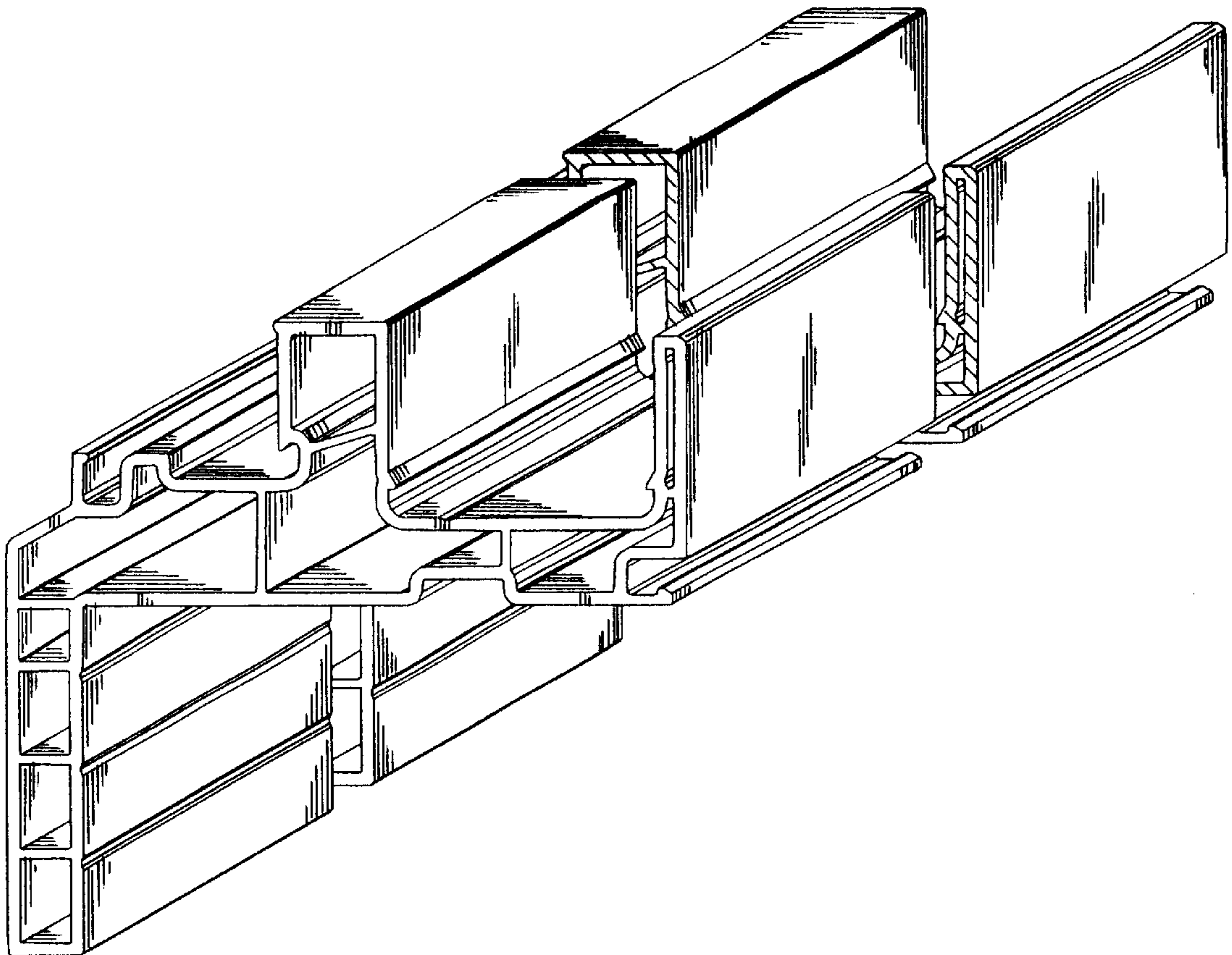


FIG. 1

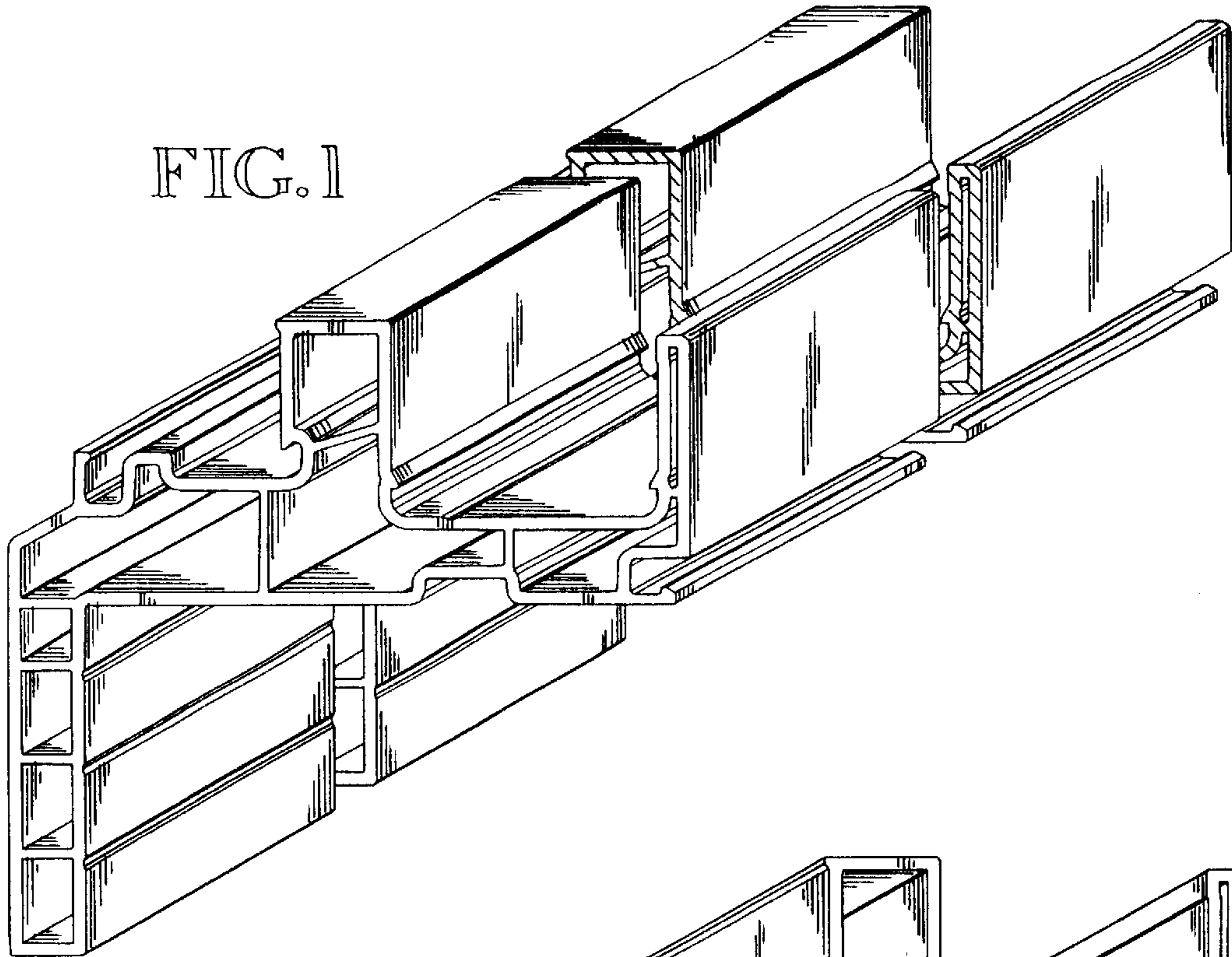


FIG. 2

