



US00D470250S

(12) **United States Design Patent**  
**Westphal et al.**

(10) **Patent No.:** **US D470,250 S**

(45) **Date of Patent:** **\*\* Feb. 11, 2003**

(54) **SINGLE HUNG FRAME JAMB**

(75) Inventors: **Dennis C. Westphal**, Parma, MI (US);  
**Stanley Gursky**, Yardley, PA (US);  
**Edward McIntosh**, West Chester, PA (US);  
**Jerome Carl Habeck**, Holt, MI (US)

(73) Assignee: **CertainTeed Corp**, Valley Forge, PA (US)

(\*\*) Term: **14 Years**

(21) Appl. No.: **29/161,996**

(22) Filed: **Jun. 7, 2002**

(51) **LOC (7) Cl.** ..... **25-01**

(52) **U.S. Cl.** ..... **D25/124**

(58) **Field of Search** ..... D25/124, 125;  
49/501, 505, DIG. 2; 52/204.1, 204.5

(56) **References Cited**

**U.S. PATENT DOCUMENTS**

5,557,894 A \* 9/1996 Card ..... 52/204.5  
D407,505 S \* 3/1999 Hersh et al. .... D25/124

\* cited by examiner

*Primary Examiner*—Doris Clark

(74) *Attorney, Agent, or Firm*—Duane Morris LLP

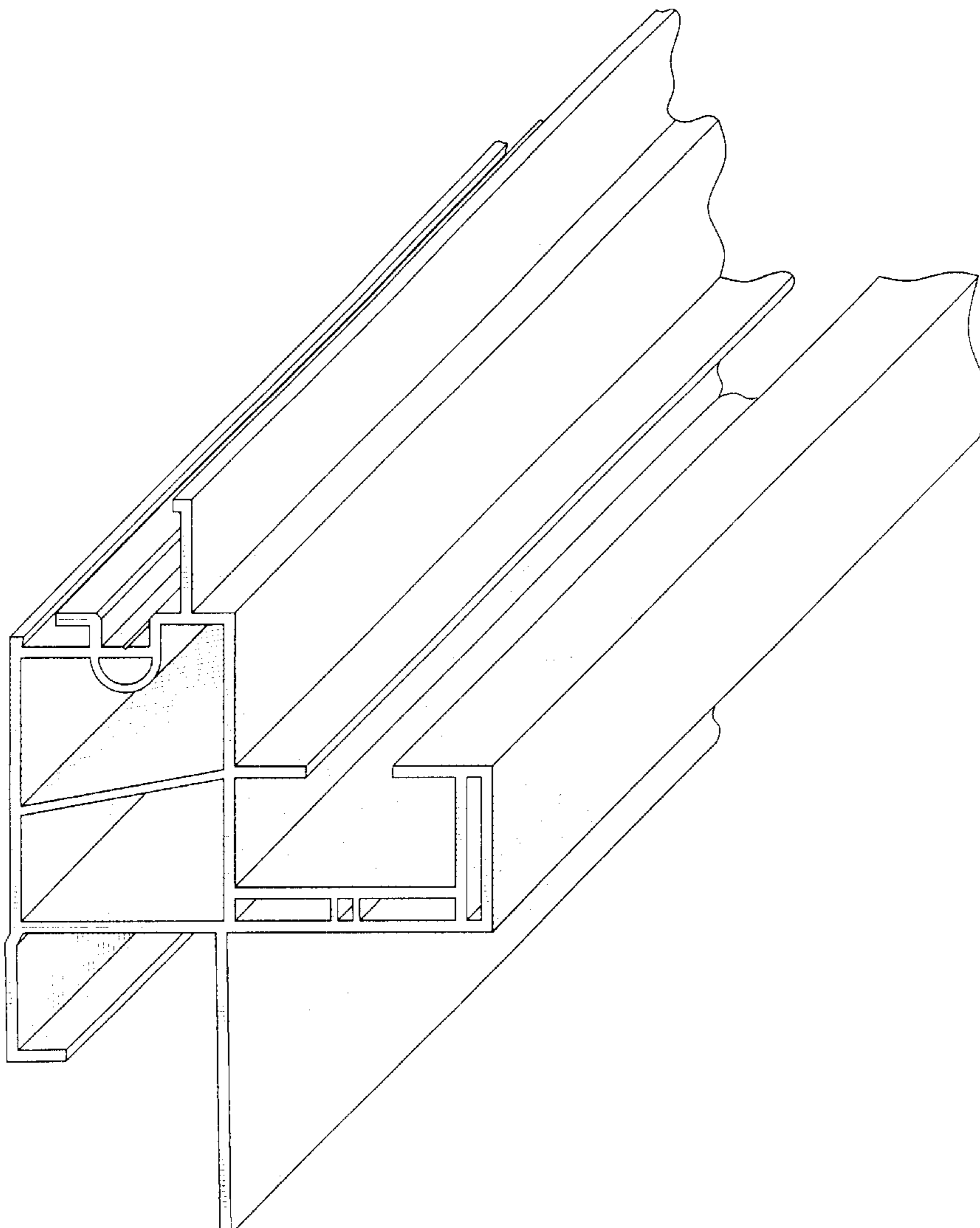
(57) **CLAIM**

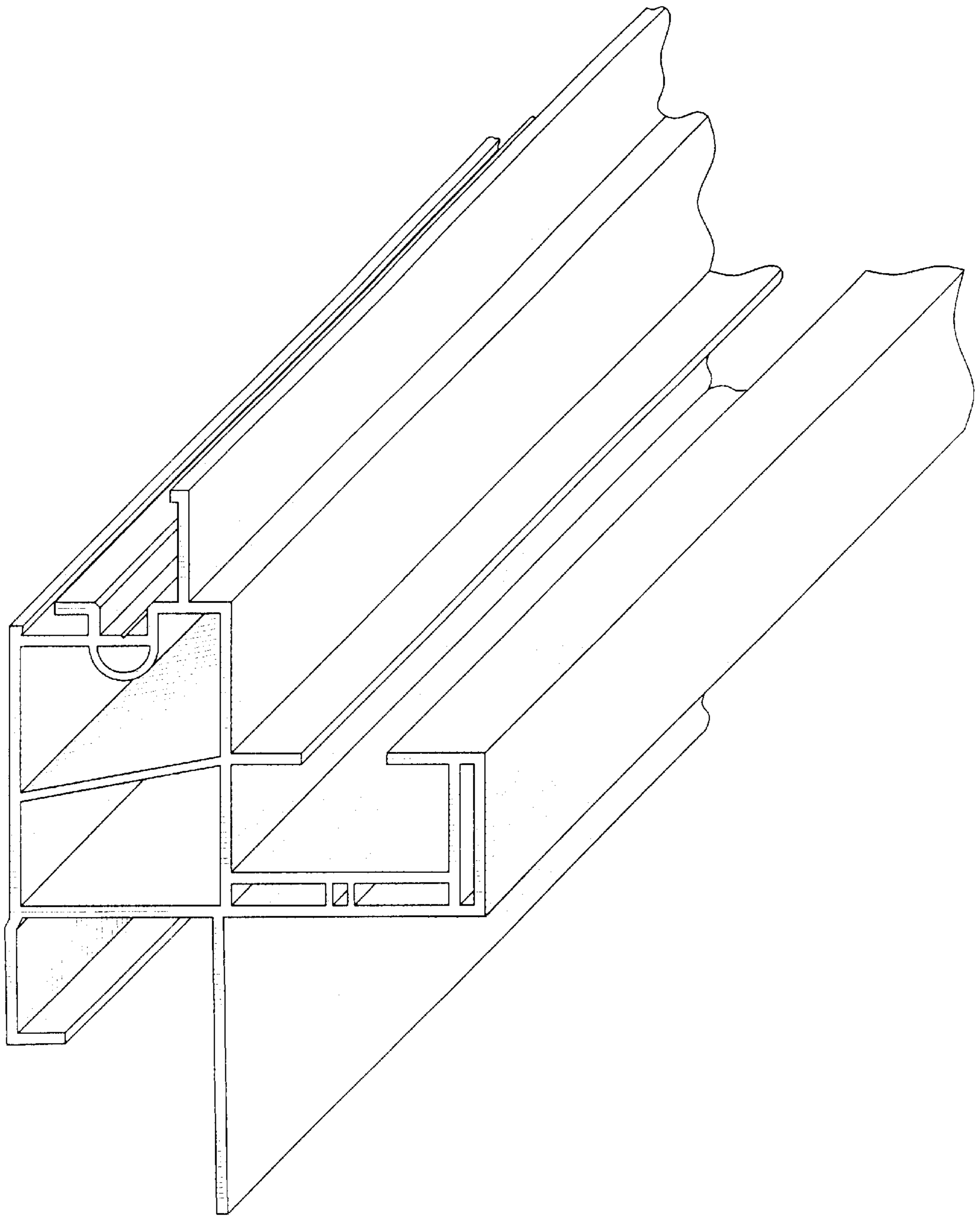
The ornamental design for a single hung frame jamb for a window, as shown and described.

**DESCRIPTION**

The FIGURE is a front perspective view of a single hung frame jamb for a window, showing our new design, the rear perspective view being a mirror image thereof, and is shown fragmented indicating indefinite length.

**1 Claim, 1 Drawing Sheet**





THE FIGURE