



US00D470248S

(12) **United States Design Patent**
Franson

(10) **Patent No.:** **US D470,248 S**

(45) **Date of Patent:** **** Feb. 11, 2003**

(54) **WINDOW COMPONENT EXTRUSION**

D420,151 S * 2/2000 Franson D25/124

(75) Inventor: **Jeffrey R. Franson**, Maple Valley, WA
(US)

* cited by examiner

Primary Examiner—Doris Clark

(73) Assignee: **Mikron Industries, Inc.**, Kent, WA
(US)

(74) *Attorney, Agent, or Firm*—Seed IP Law Group PLLC

(**) Term: **14 Years**

(57) **CLAIM**

The ornamental design for a window component extrusion,
as shown and described.

(21) Appl. No.: **29/153,789**

DESCRIPTION

(22) Filed: **Jan. 11, 2002**

FIG. 1 is a top right perspective view of the window
component extrusion which is broken in the center indicat-
ing indefinite length.

(51) **LOC (7) Cl.** **25-01**

(52) **U.S. Cl.** **D25/124**

(58) **Field of Search** D25/124; 52/204.5;
49/DIG. 2

FIG. 2 is a bottom left perspective view of the window
component extrusion shown in FIG. 1.

FIG. 3 is a top right perspective view of a second embodi-
ment of the window component extrusion which is broken in
the center indicating indefinite length; and,

FIG. 4 is a bottom left perspective view of the window
component extrusion shown in FIG. 3.

(56) **References Cited**

U.S. PATENT DOCUMENTS

D366,333 S 1/1996 Franson
D369,419 S 4/1996 Franson

1 Claim, 2 Drawing Sheets

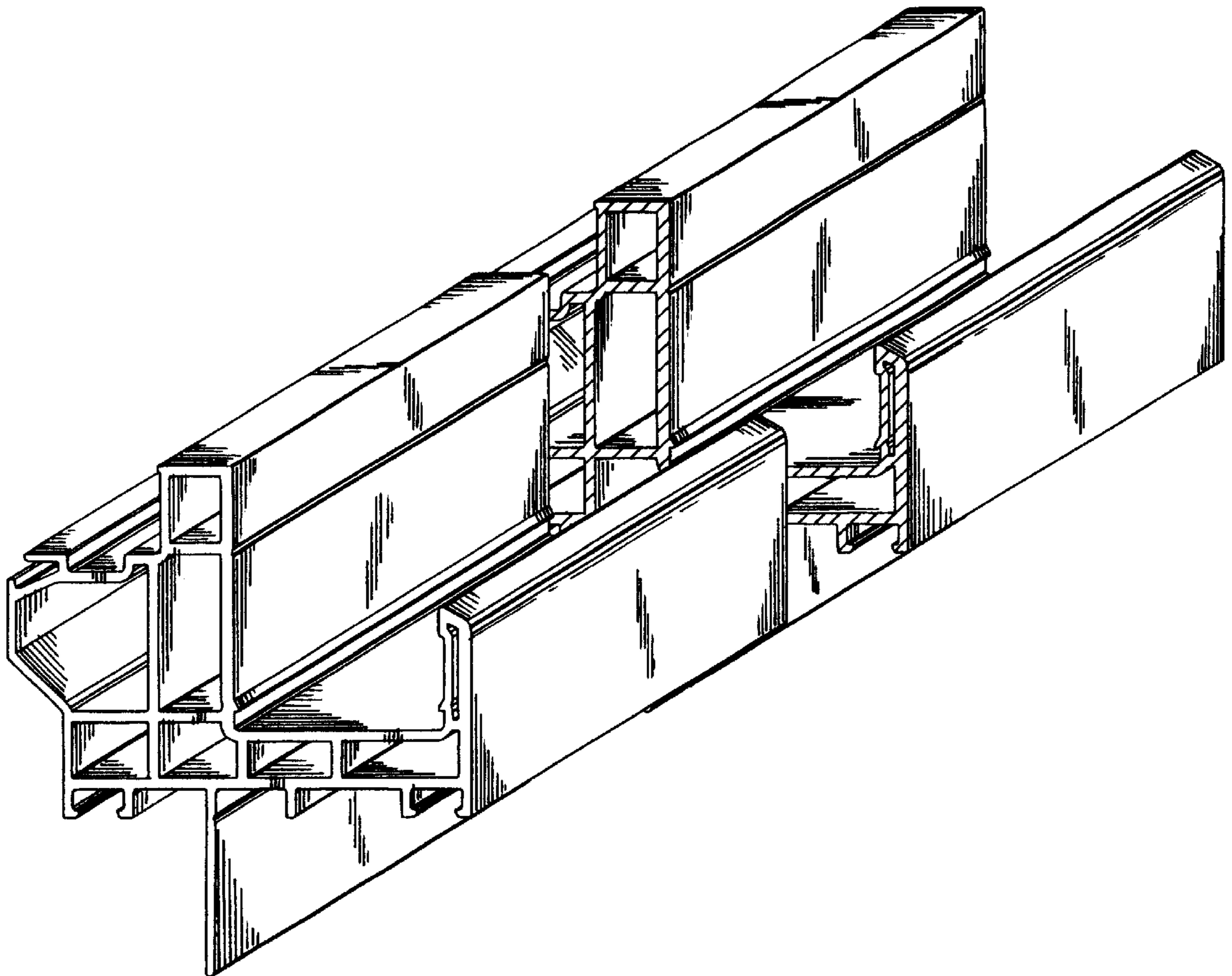


FIG. 1

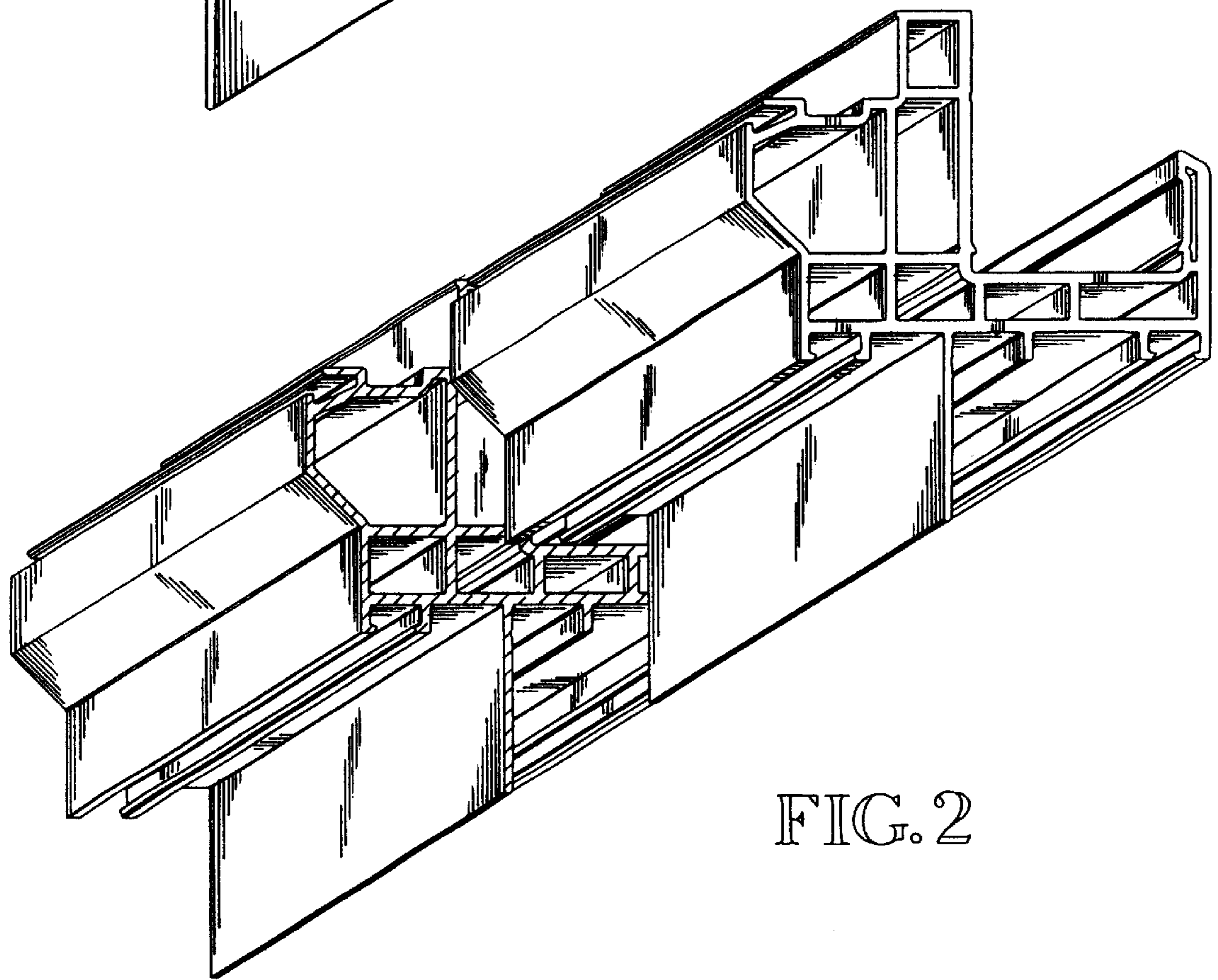
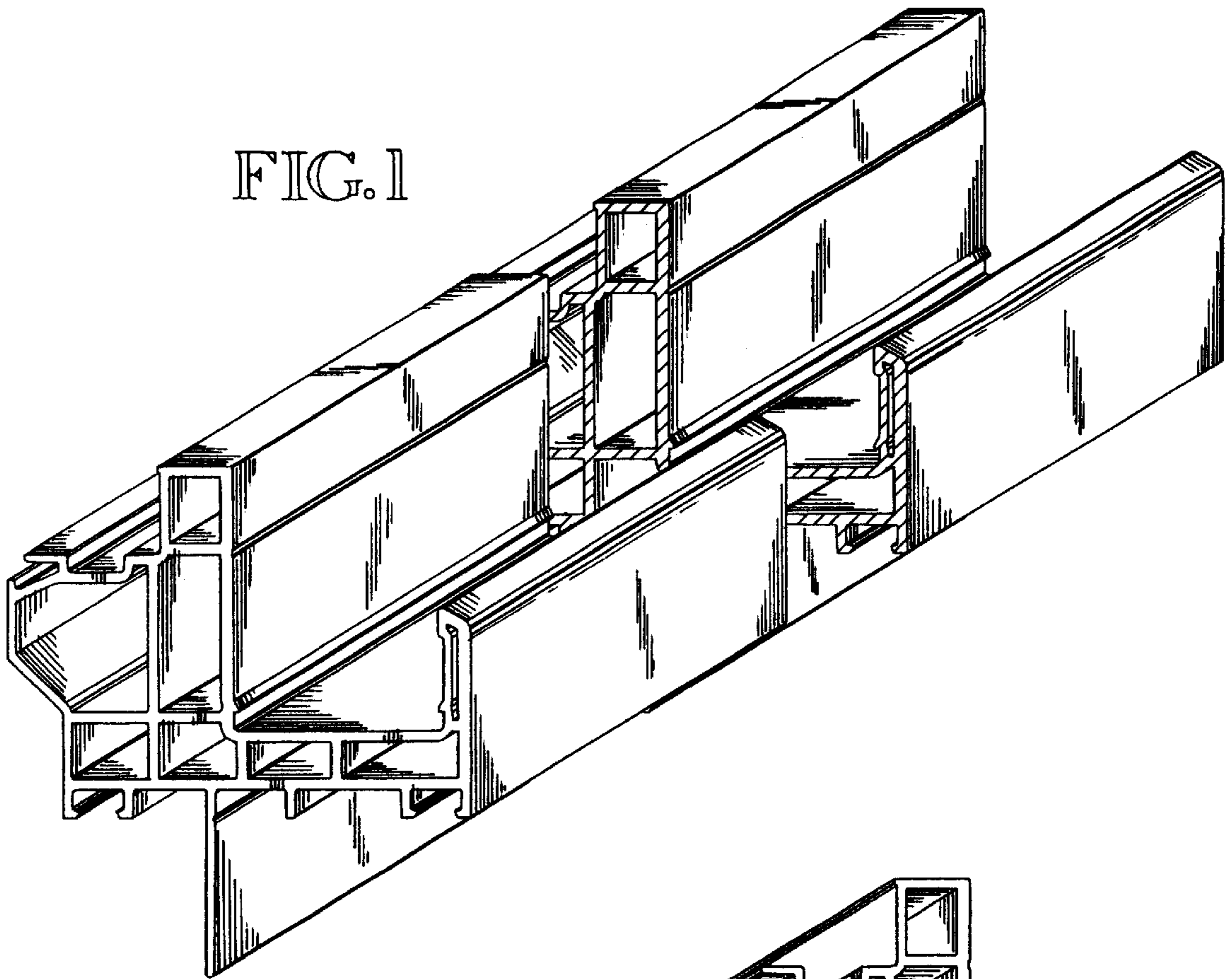


FIG. 2

FIG. 3

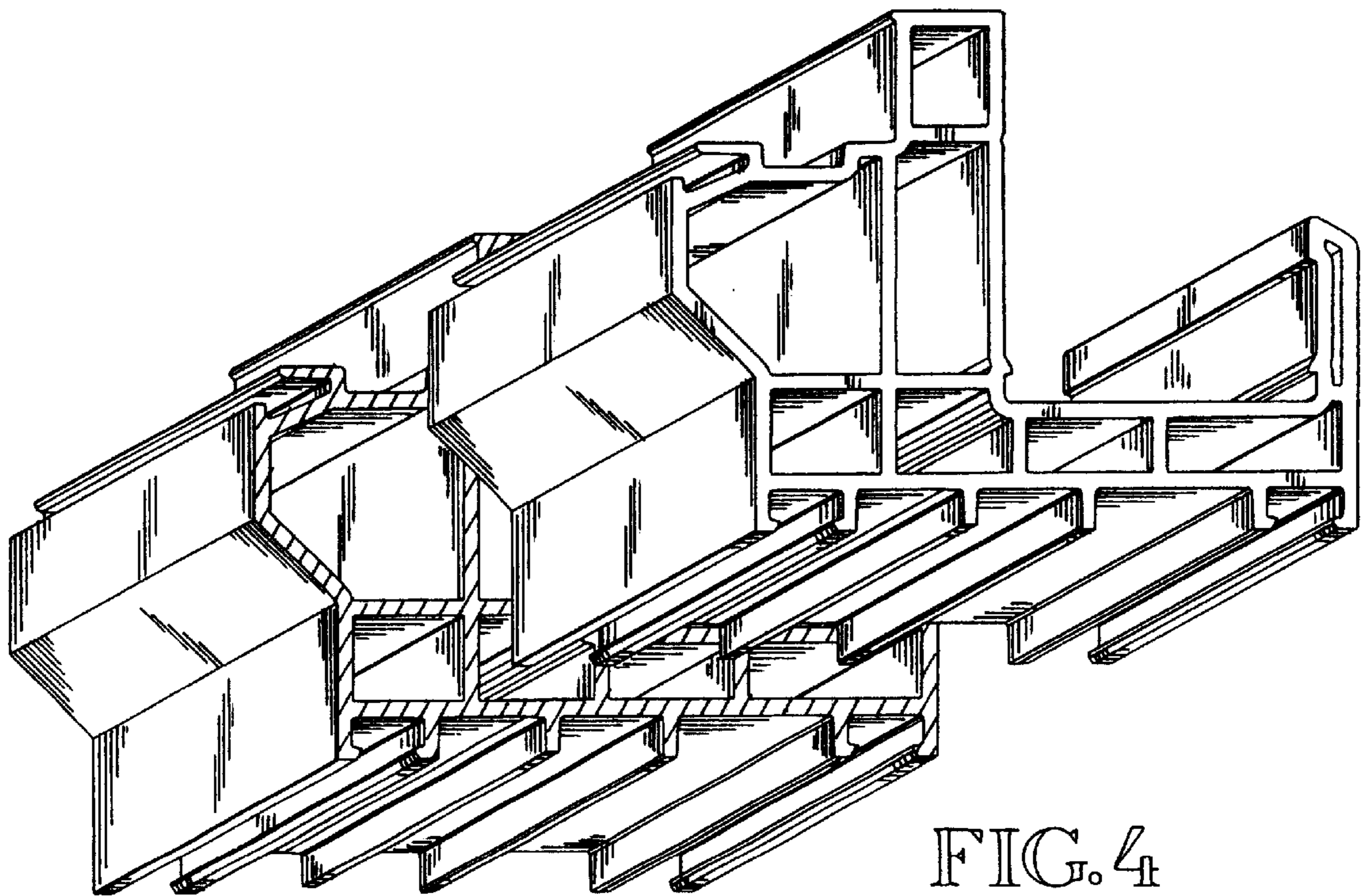
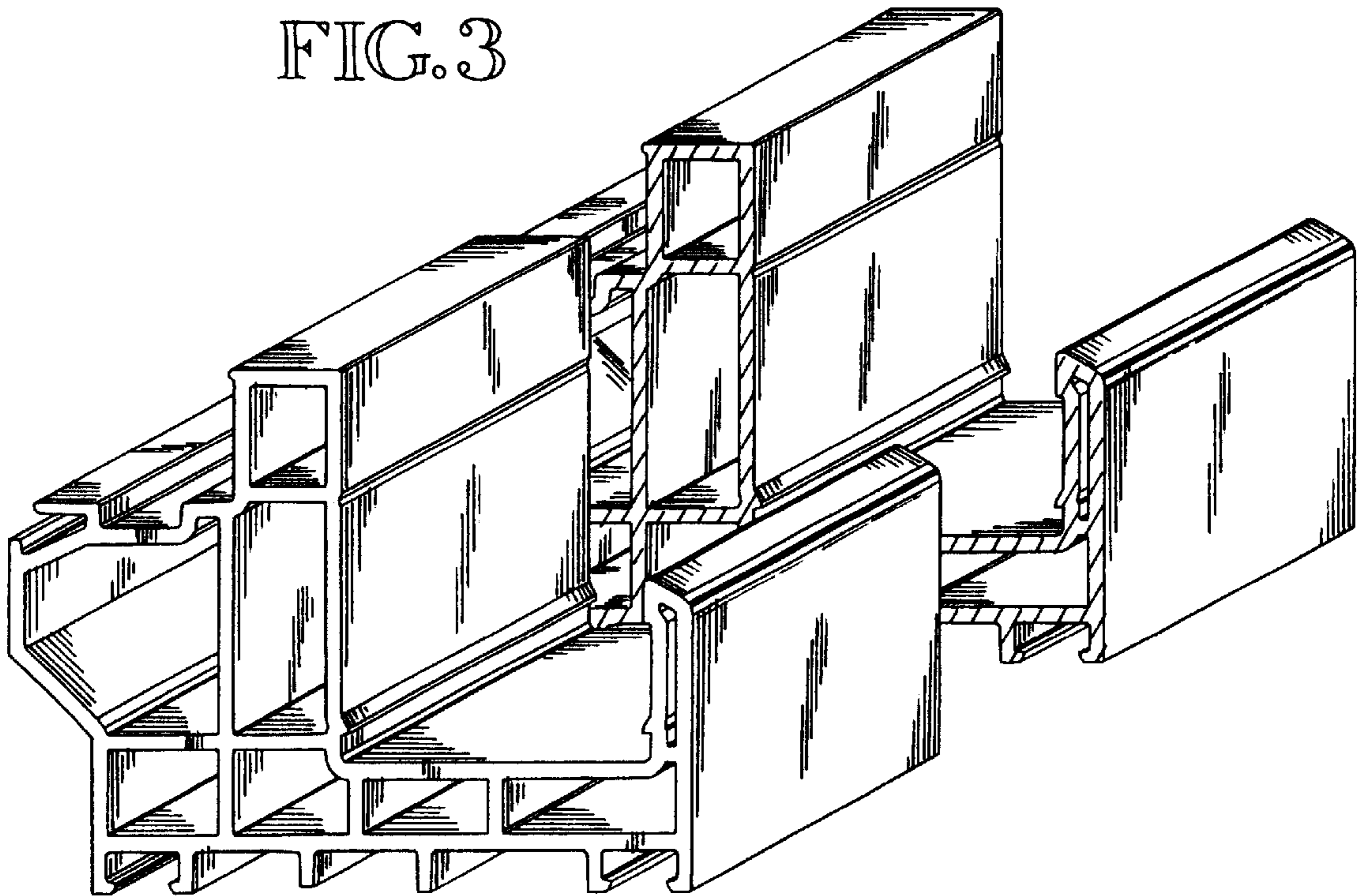


FIG. 4