



US00D470246S

(12) **United States Design Patent**  
**Schrader**

(10) **Patent No.:** **US D470,246 S**

(45) **Date of Patent:** **\*\* Feb. 11, 2003**

(54) **WINDOW COMPONENT EXTRUSION**

D446,870 S \* 8/2001 Gardner ..... D25/119  
D447,253 S \* 8/2001 Gardner ..... D25/119

(75) Inventor: **Robert A. Schrader**, Puyallup, WA  
(US)

\* cited by examiner

(73) Assignee: **Mikron Industries, Inc.**, Kent, WA  
(US)

*Primary Examiner*—Doris Clark

(74) *Attorney, Agent, or Firm*—Seed IP Law Group PLLC

(\*\*) Term: **14 Years**

(57) **CLAIM**

(21) Appl. No.: **29/160,306**

The ornamental design for a window component extrusion,  
as shown and described.

(22) Filed: **May 7, 2002**

**DESCRIPTION**

(51) **LOC (7) Cl.** ..... **25-01**

(52) **U.S. Cl.** ..... **D25/119; D25/136**

(58) **Field of Search** ..... D25/119, 136;  
52/204.1, 204.5; 49/501, 505, DIG. 2

FIG. 1 is a top right perspective view of the window  
component extrusion which is broken in the center indicat-  
ing indefinite length; and,

FIG. 2 is a bottom left perspective view of the window  
component extrusion shown in FIG. 1.

(56) **References Cited**

**U.S. PATENT DOCUMENTS**

5,901,510 A \* 5/1999 Ellingson ..... 49/501

**1 Claim, 1 Drawing Sheet**

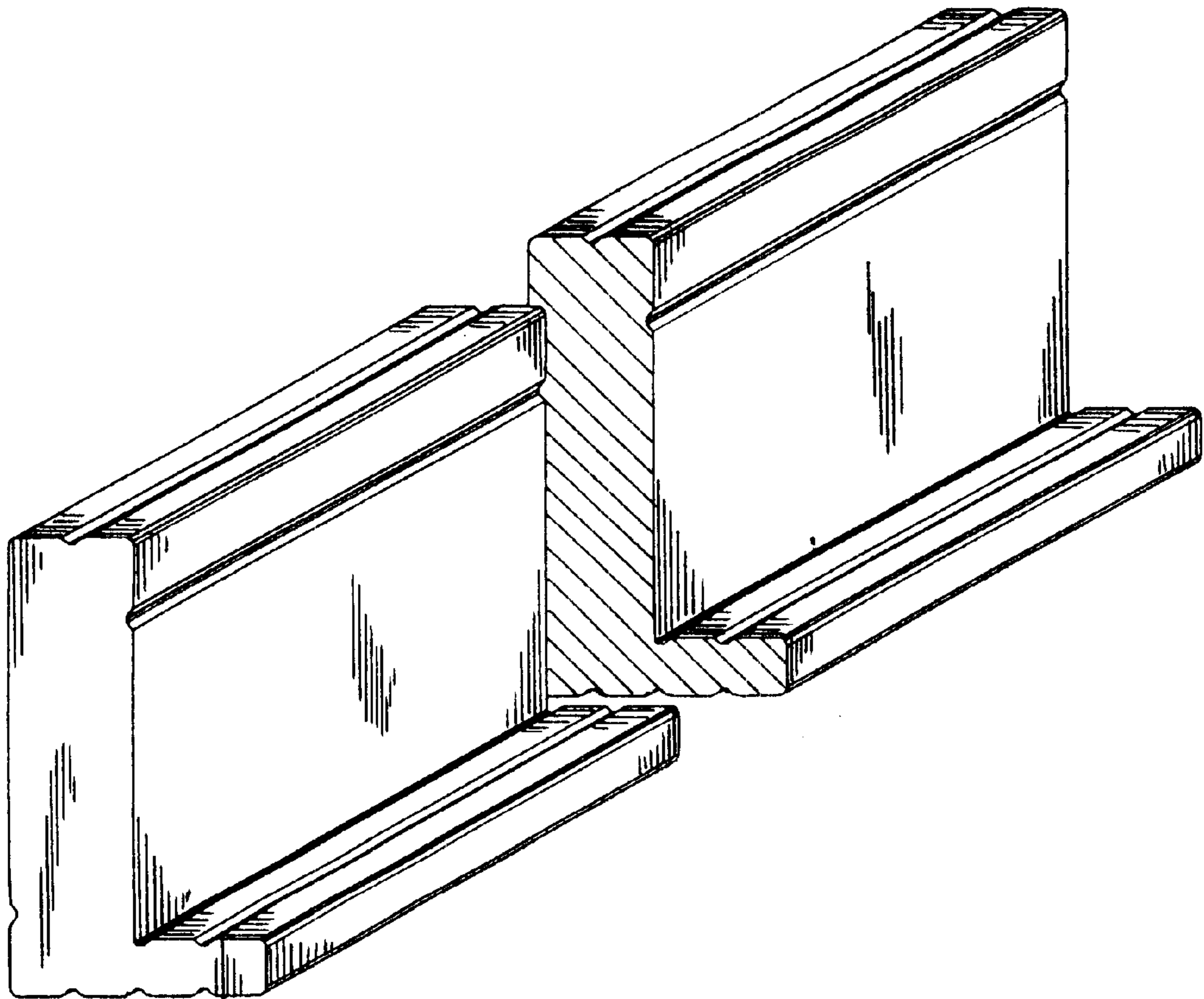


FIG. 1

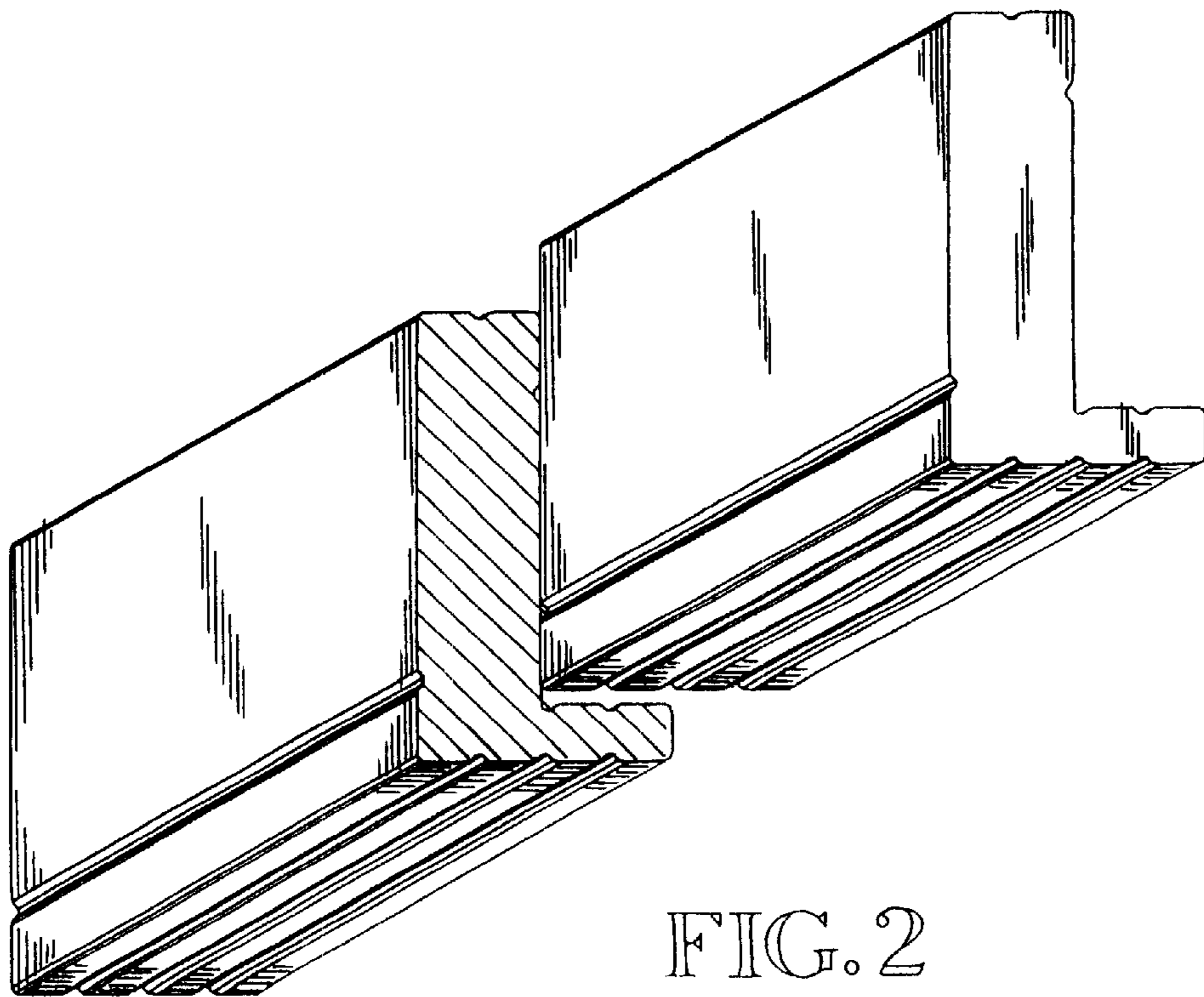
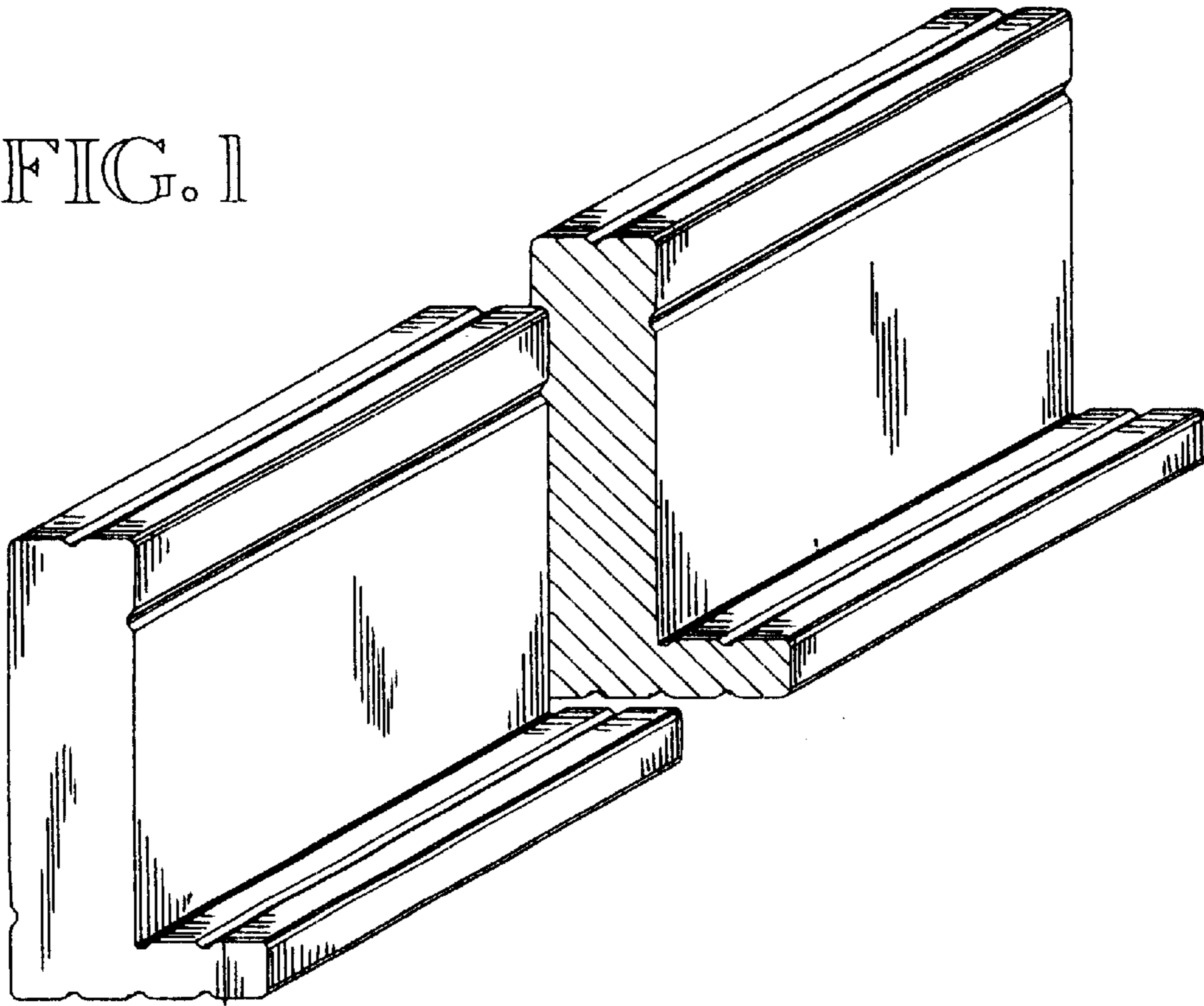


FIG. 2