



US00D470240S

(12) **United States Design Patent**
Niedbala et al.

(10) **Patent No.:** **US D470,240 S**

(45) **Date of Patent:** **** Feb. 11, 2003**

(54) **HANDLE FOR A SAMPLE COLLECTOR**

(75) Inventors: **R. Sam Niedbala**, Allentown, PA (US);
John W. Scott, Perkasië, PA (US);
Peter A. Bourdelle, Allentown, PA
(US); **Hans H. Feindt**, Allentown, PA
(US)

(73) Assignee: **OraSure Technologies, Inc.**,
Bethlehem, PA (US)

(**) Term: **14 Years**

(21) Appl. No.: **29/148,786**

(22) Filed: **Sep. 28, 2001**

(51) **LOC (7) Cl.** **24-02**

(52) **U.S. Cl.** **D24/216; D24/133; D24/223;**
D24/119

(58) **Field of Search** D24/119, 133,
D24/216, 223; D10/81; 422/102, 101, 56,
81, 58; 435/810, 288.1; 604/1, 2, 3; 436/536,
807, 808, 810; D8/300, 301

(56) **References Cited**

U.S. PATENT DOCUMENTS

4,014,322 A	3/1977	Shah	
4,119,125 A	* 10/1978	Elkins D24/223
4,223,093 A	* 9/1980	Newman et al. 435/810
4,427,634 A	* 1/1984	Truglio 422/102
4,580,577 A	4/1986	O'Brien et al.	
D296,926 S	7/1988	Heasley	
D299,859 S	2/1989	Fan et al.	
D299,860 S	2/1989	Fan et al.	
4,847,199 A	* 7/1989	Snyder et al. 422/101
4,857,453 A	8/1989	Ullman et al.	
4,943,522 A	7/1990	Eisinger et al.	
4,980,298 A	12/1990	Blake et al.	
5,051,237 A	9/1991	Grenner et al.	
D324,426 S	3/1992	Fan et al.	
D328,135 S	7/1992	Fan et al.	
5,160,704 A	11/1992	Schlüter	
5,163,441 A	* 11/1992	Monthony et al. 435/288.1
5,182,216 A	* 1/1993	Clayton et al. 422/57

5,211,182 A	5/1993	Deutsch et al.	
5,256,372 A	10/1993	Brooks et al.	
D341,663 S	11/1993	Coulter	
5,260,031 A	11/1993	Seymour	
D342,575 S	12/1993	Ashihara et al.	
5,268,148 A	* 12/1993	Seymour 422/58
D348,522 S	7/1994	Groothuizen	
5,356,785 A	10/1994	McMahon et al.	
5,376,337 A	12/1994	Seymour	
5,380,492 A	1/1995	Seymour	
5,393,496 A	2/1995	Seymour	

(List continued on next page.)

OTHER PUBLICATIONS

Pending U.S. Utility Application, Title: Sample Collector and Test Device, filed Nov. 30, 2001.

Primary Examiner—Ian Simmons

(74) *Attorney, Agent, or Firm*—Morgan, Lewis & Bockius LLP

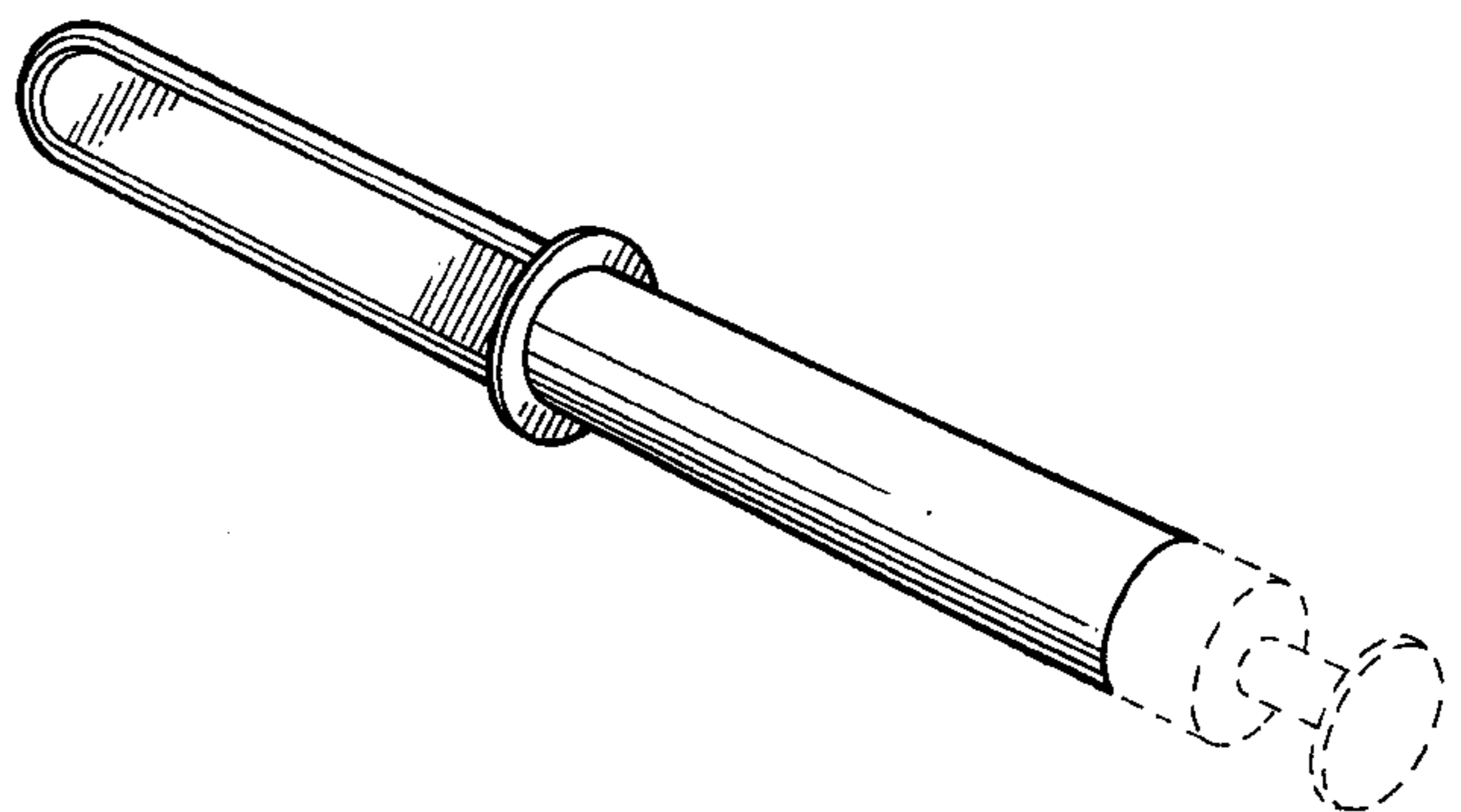
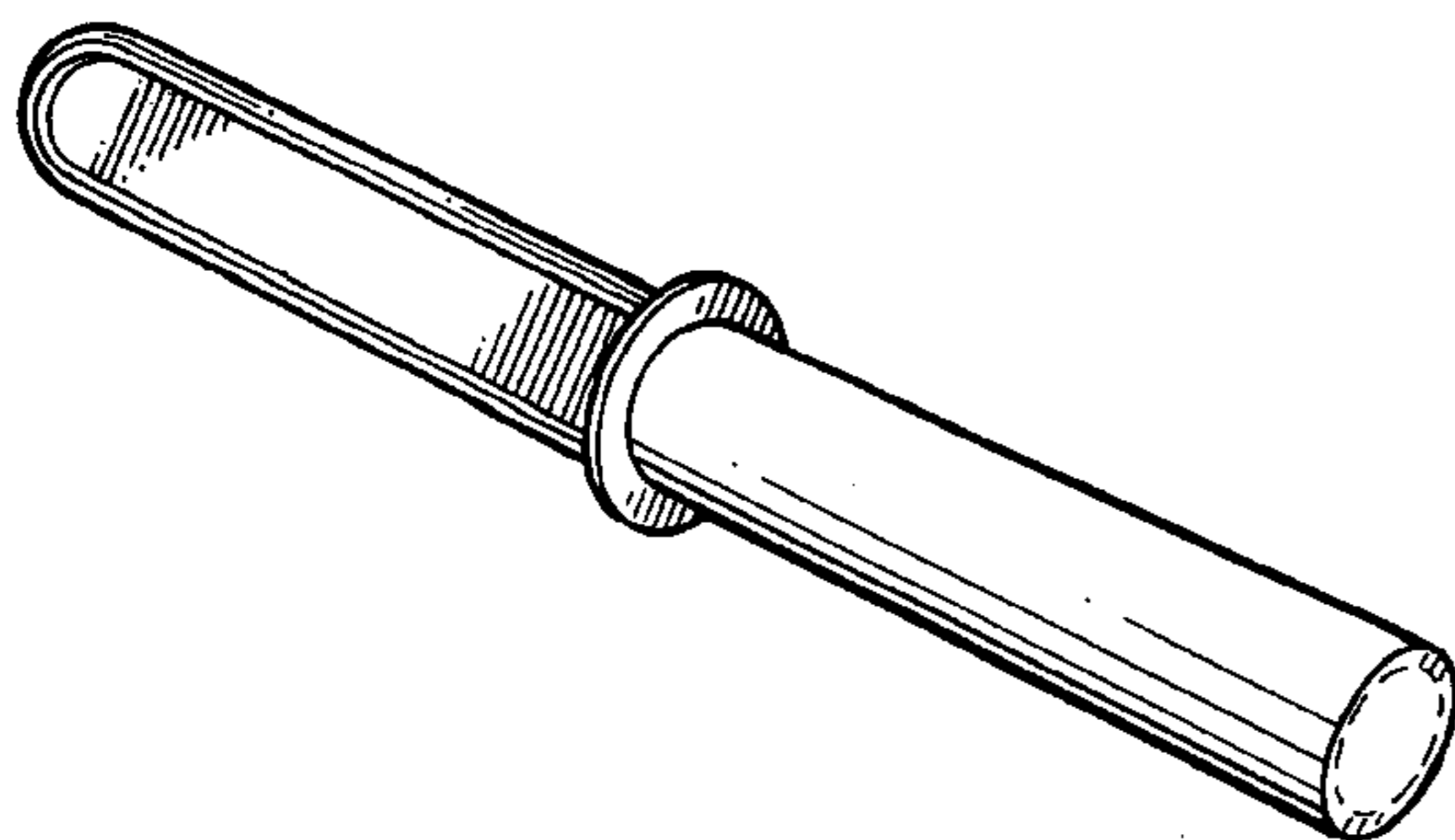
(57) **CLAIM**

The ornamental design for a handle for a sample collector, as shown and described.

DESCRIPTION

FIG. 1 is a perspective view of a handle for a sample collector showing our new design;
 FIG. 2 is a right side elevation view thereof, the left side elevational view being a mirror image thereof;
 FIG. 3 is a top plan view thereof, the bottom plan view being a mirror image thereof;
 FIG. 4 is a front elevational view thereof;
 FIG. 5 is a rear elevational view thereof; and,
 FIG. 6 is a perspective view of a second embodiment of a handle for a sample collector showing our new design, with the top, bottom, left, right and rear elevational views being the same as the first embodiment.
 The broken line showing in FIGS. 1, 4 and 6 are for illustrative purposes only and forms no part of the claimed design.

1 Claim, 3 Drawing Sheets



US D470,240 S

Page 2

U.S. PATENT DOCUMENTS

D361,842 S	8/1995	Nazareth et al.		5,824,268 A	10/1998	Bernstein et al.	
5,477,863 A *	12/1995	Grant	D24/223	5,830,410 A	11/1998	Thieme et al.	
D365,998 S	1/1996	Groothuizen et al.		D405,539 S	2/1999	Poissant et al.	
D366,529 S *	1/1996	Babaoglu et al.	D24/223	5,965,453 A	10/1999	Skiffington et al.	
5,494,646 A	2/1996	Seymour		D420,141 S	2/2000	Casterlin	
D369,868 S	5/1996	Nazareth et al.		6,027,943 A	2/2000	Kang et al.	
D379,662 S	6/1997	Pearson et al.		D427,314 S	6/2000	Herbst et al.	
D379,663 S	6/1997	Pearson et al.		D431,867 S	10/2000	Maynard et al.	
5,656,502 A	8/1997	MacKay et al.		D432,244 S	10/2000	Anderson et al.	
D388,519 S *	12/1997	Skiffington et al.	D24/223	6,153,147 A *	11/2000	Craig	422/58
D390,667 S	2/1998	Nazareth		6,186,946 B1 *	2/2001	Nakajima	422/58
D391,373 S	2/1998	Shartle		D438,632 S	3/2001	Miller	
D394,317 S	5/1998	Carp		D438,633 S	3/2001	Miller	
5,785,044 A	7/1998	Meador et al.		6,267,722 B1	7/2001	Anderson et al.	
5,792,424 A	8/1998	Homberg et al.					

* cited by examiner

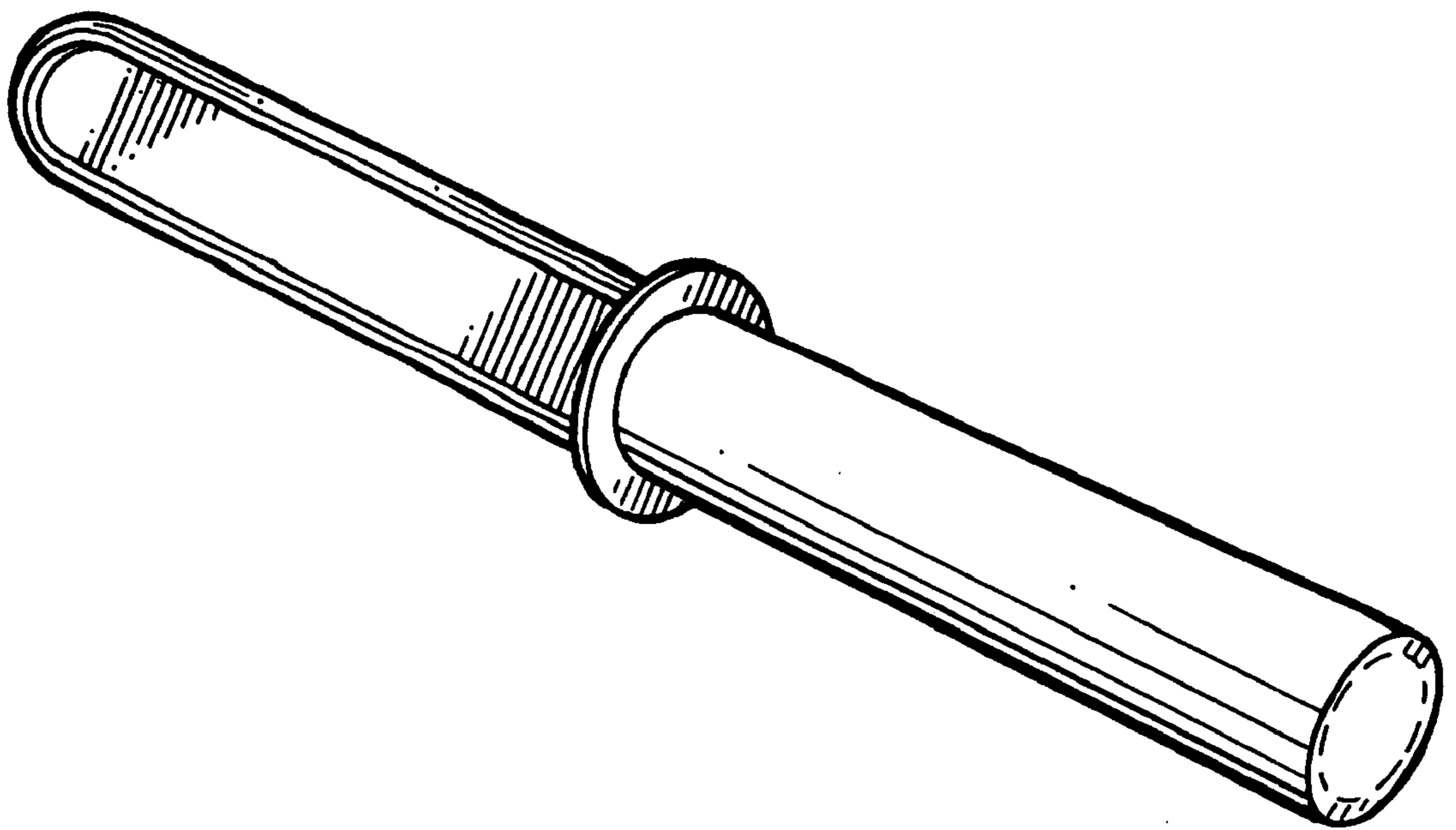


FIG. 1

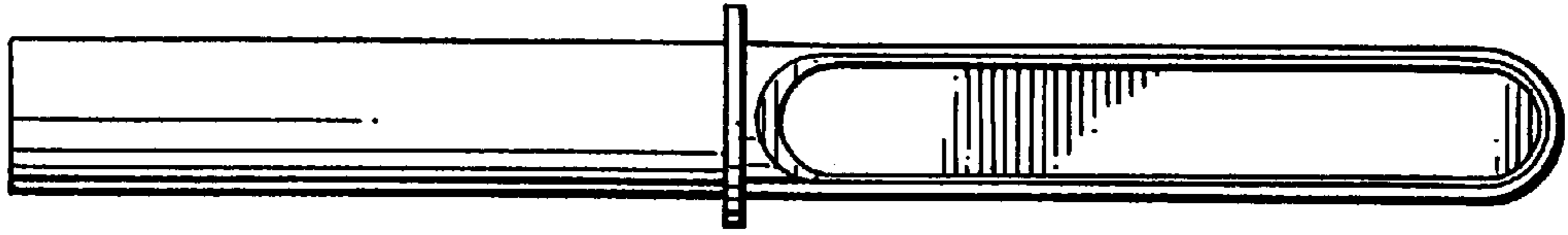


FIG. 2

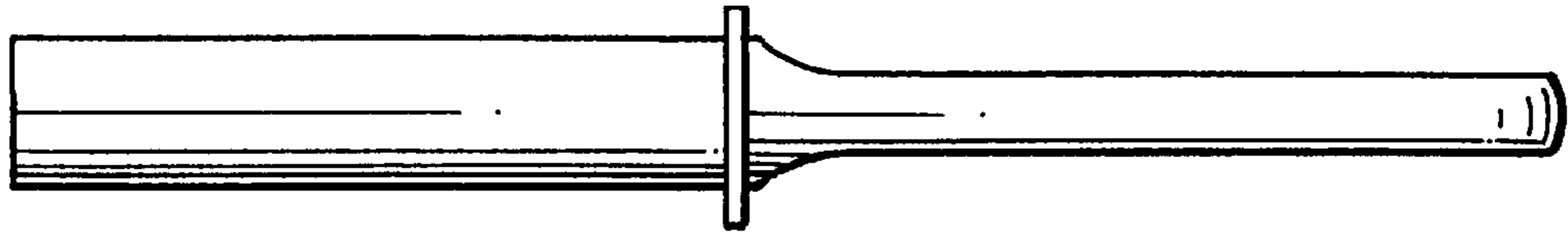


FIG. 3

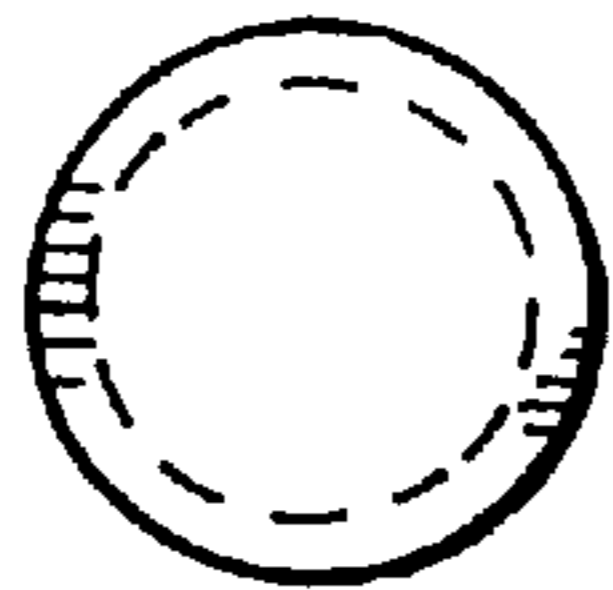


FIG. 4

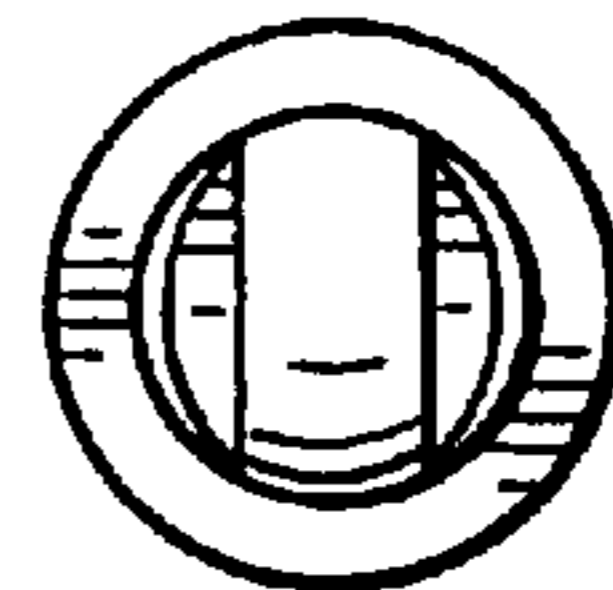


FIG. 5

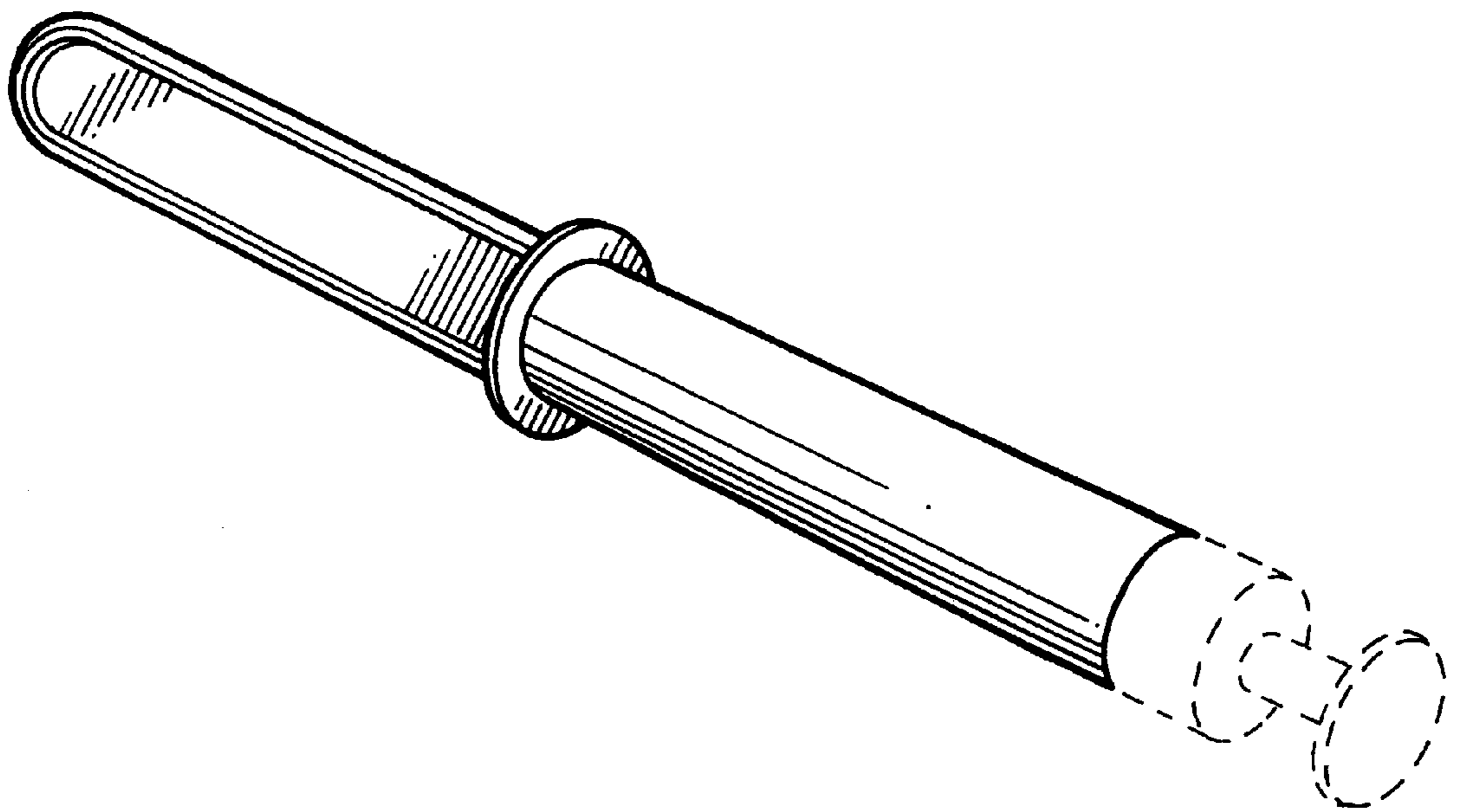


FIG.6