



US00D470239S

(12) **United States Design Patent**  
**Yang**

(10) **Patent No.:** **US D470,239 S**

(45) **Date of Patent:** **\*\* Feb. 11, 2003**

(54) **ULTRASONIC MASSAGER**

D355,259 S \* 2/1995 Lie ..... D24/215

(75) Inventor: **Seong-Seok Yang**, Seongnam (KR)

\* cited by examiner

(73) Assignee: **Coretech Co., Ltd.** (KR)

*Primary Examiner*—Stella Reid

(\*\*) Term: **14 Years**

(74) *Attorney, Agent, or Firm*—Greensfelder, Hemker & Gale, P.C.

(21) Appl. No.: **29/158,654**

(57) **CLAIM**

(22) Filed: **Apr. 5, 2002**

The ornamental design for an ultrasonic massager, as shown and described.

(30) **Foreign Application Priority Data**

**DESCRIPTION**

Nov. 21, 2001 (KR) ..... 2001-32589

(51) **LOC (7) Cl.** ..... **28-03**

(52) **U.S. Cl.** ..... **D24/215**

(58) **Field of Search** ..... D24/200, 214,  
D24/215; 601/78, 80, 84, 87, 89, 93-95,  
124, 134, 135, 136

FIG. 1 is a front elevational view of the design for an ultrasonic massager;

FIG. 2 is a rear elevational view of the design of FIG. 1;

FIG. 3 is a top plan view of the design of FIG. 1;

FIG. 4 is a bottom plan view of the design of FIG. 1;

FIG. 5 is a left side elevational view of the design of FIG. 1;

FIG. 6 is a right side elevational view of the design of FIG. 1; and,

FIG. 7 is a top, front, left side perspective view of the design of FIG. 1.

(56) **References Cited**

**U.S. PATENT DOCUMENTS**

- D269,377 S \* 6/1983 Mackay et al. .... D24/214
- D298,775 S \* 11/1988 Lee ..... D24/214
- 4,846,158 A \* 7/1989 Teranishi ..... 601/72
- D331,467 S \* 12/1992 Wollman ..... D24/214
- D338,070 S \* 8/1993 Lam ..... D24/214
- D342,138 S \* 12/1993 Wollman et al. .... D24/214

The surface(s) or portion(s) of the article not shown in the drawing or described in the specification form(s) no part of the claimed design.

**1 Claim, 6 Drawing Sheets**

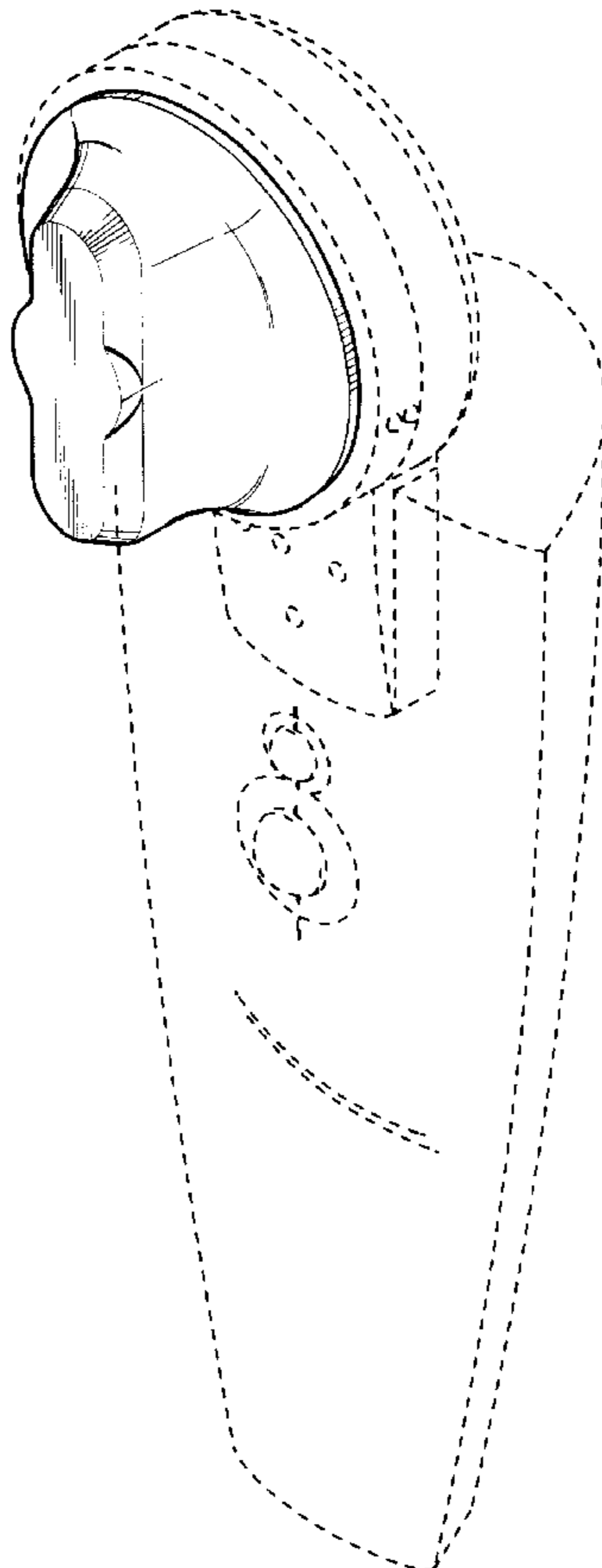


Fig. 1

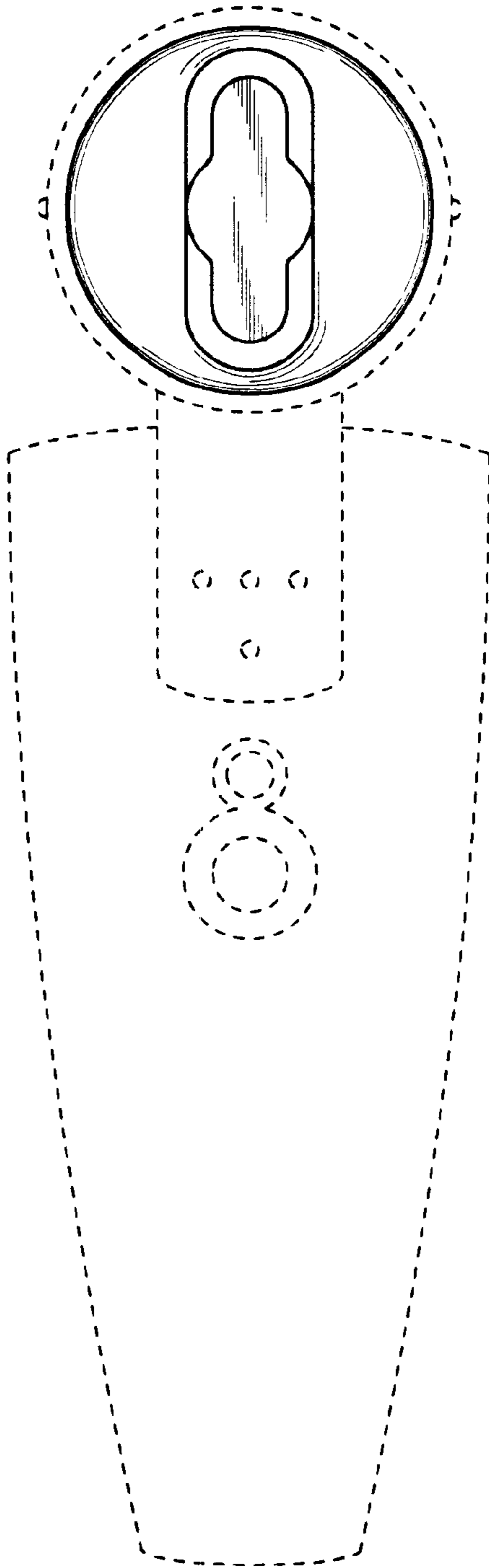


Fig. 2

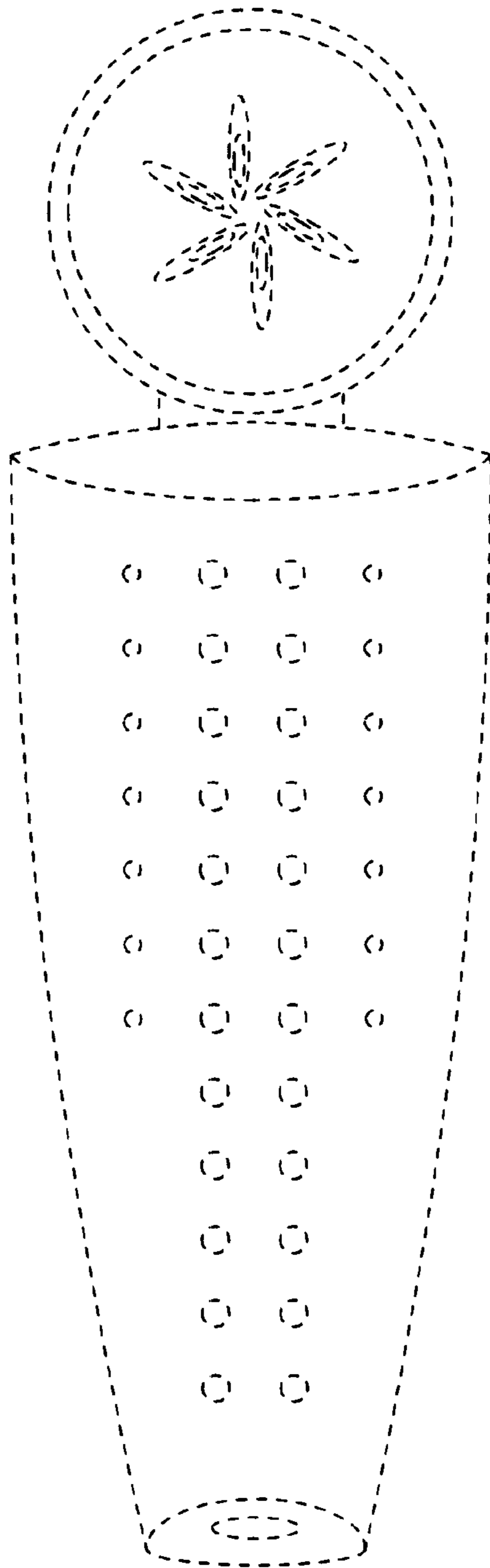


Fig. 3

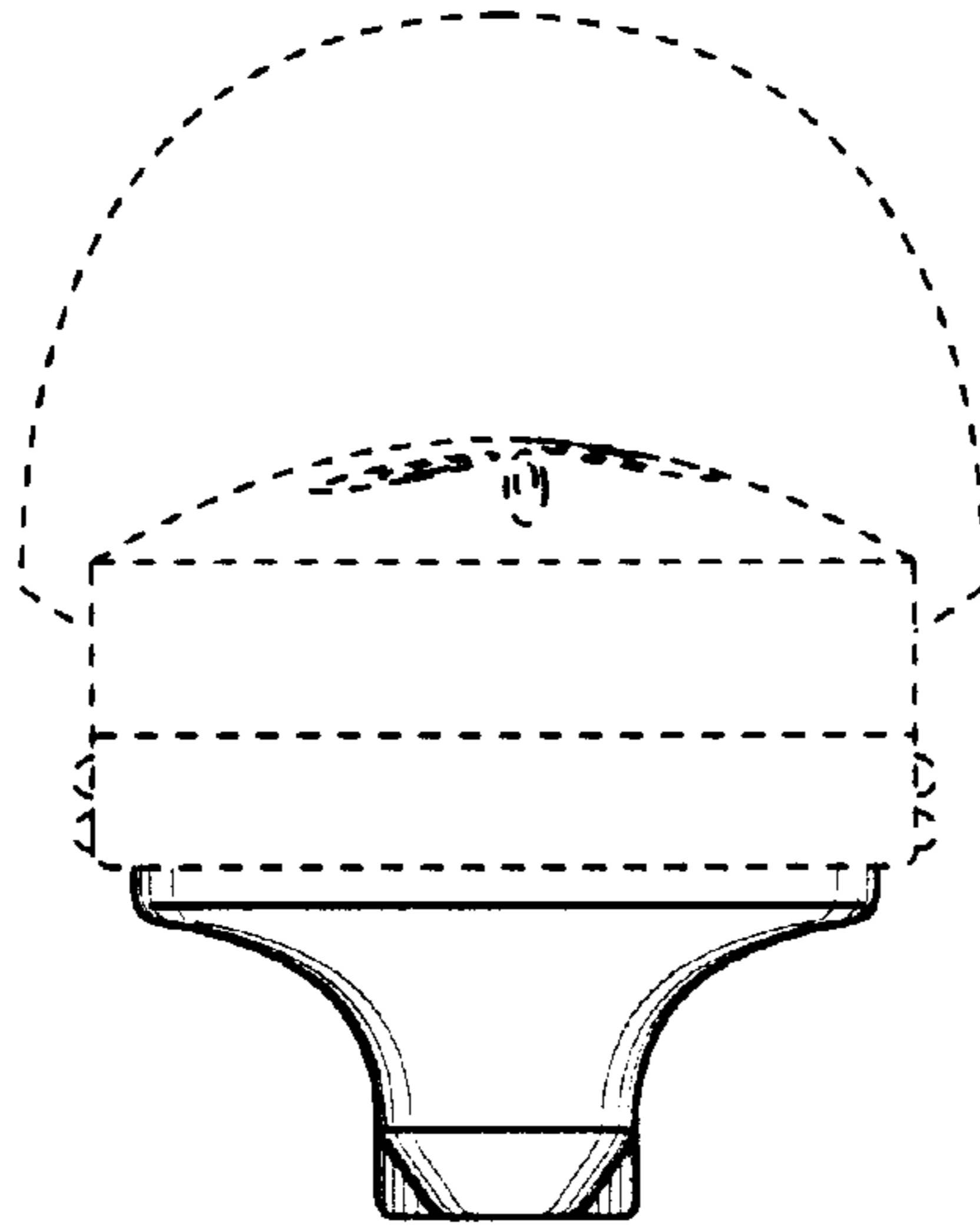


Fig. 4

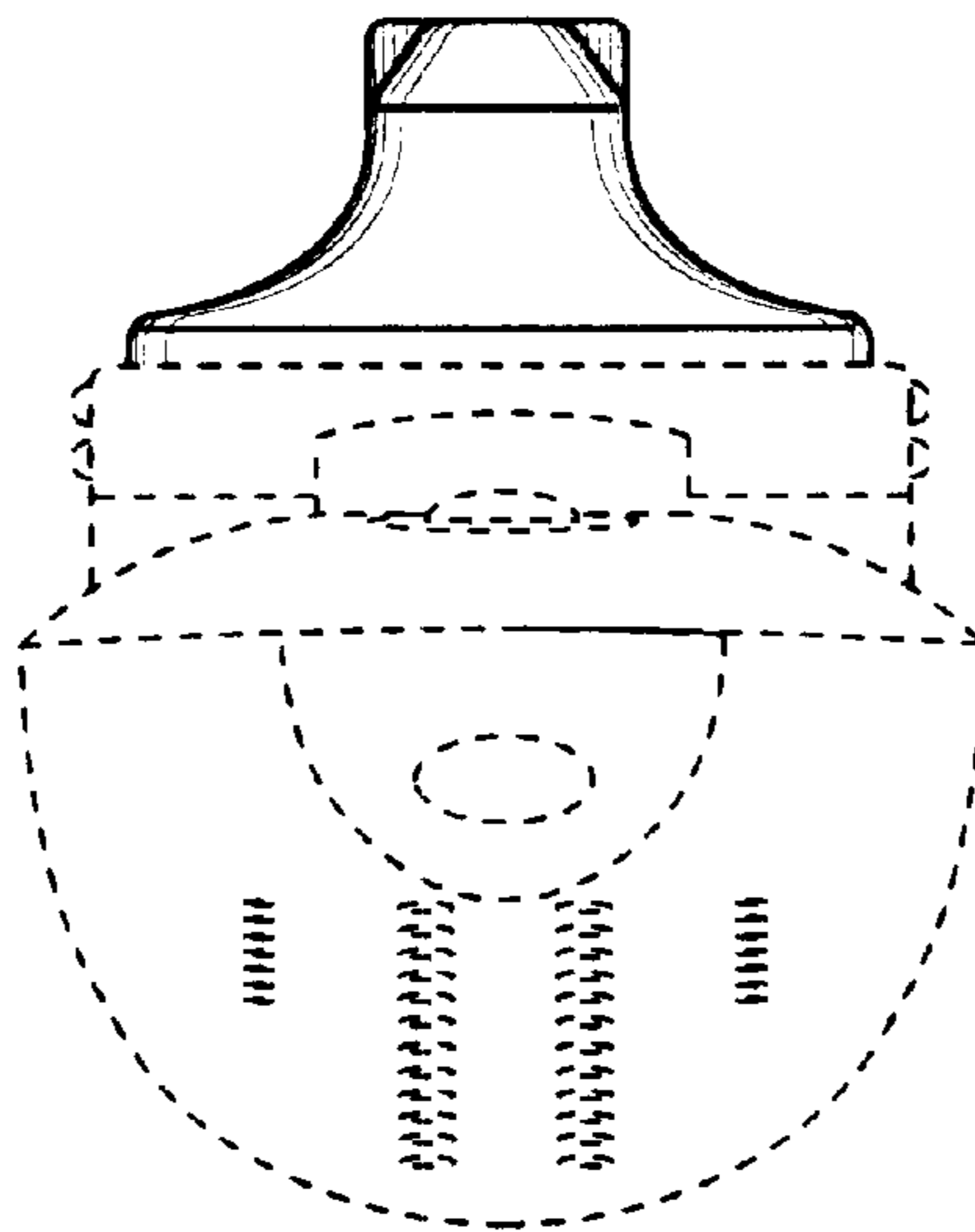


Fig. 5

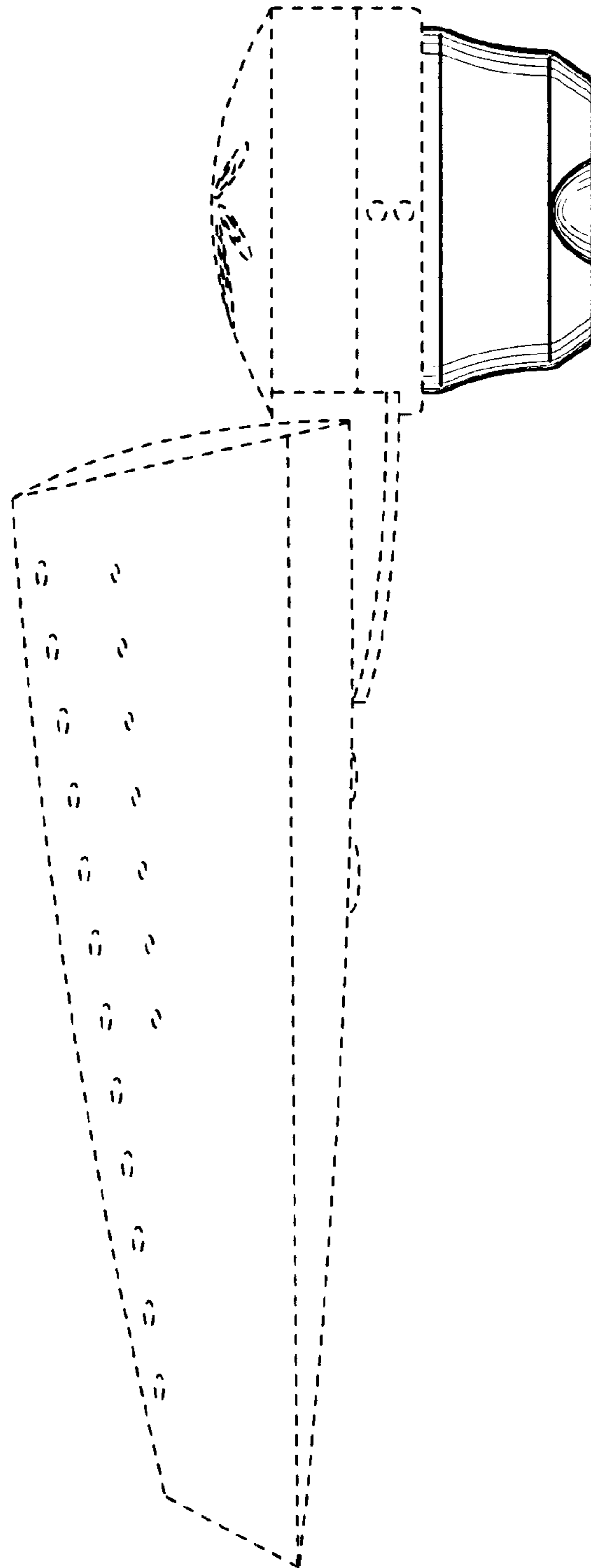


Fig. 6

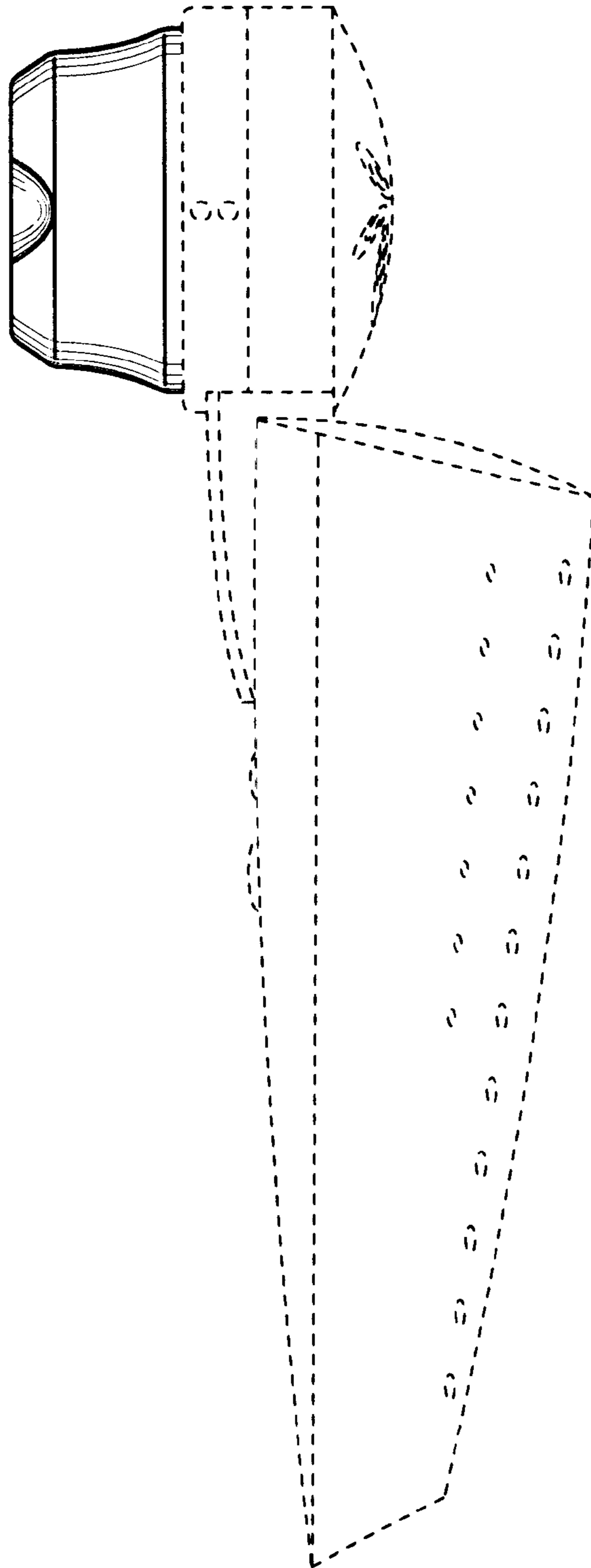


Fig. 7

