



US00D470238S

(12) **United States Design Patent**  
**Boggs**

(10) **Patent No.:** **US D470,238 S**

(45) **Date of Patent:** **\*\* Feb. 11, 2003**

(54) **BABY ACCESSORY HOLDER KIT**

D369,217 S \* 4/1996 Mitchell et al. .... D24/193

(76) Inventor: **Paulette R Boggs**, 546 Langdon St.,  
Orange, NJ (US) 07050

\* cited by examiner

*Primary Examiner*—Stella Reid

(\*\*) Term: **14 Years**

(57) **CLAIM**

(21) Appl. No.: **29/147,616**

The ornamental design for a baby accessory holder kit, as shown and described.

(22) Filed: **Aug. 31, 2001**

**DESCRIPTION**

(51) **LOC (7) Cl.** ..... **24-04**

(52) **U.S. Cl.** ..... **D24/193**

(58) **Field of Search** ..... D24/193, 194,  
D24/195; 606/234, 235, 236; 24/302, 301

The nature and intended use of the article being an ornamental design which secures pacifier, rattle, etc. to baby and/or clothing.

FIG. 1 is a front elevational view of the baby accessory holder kit of the present invention;

FIG. 2 is a rear elevational view of the baby accessory holder kit of FIG. 1;

FIG. 3 is a left side elevational view of the baby accessory holder kit of FIG. 1, the right view being a mirror image thereof;

FIG. 4 is a top plan view of the baby accessory holder kit of FIG. 1; and,

FIG. 5 is a bottom plan view of the baby accessory holder kit of FIG. 1.

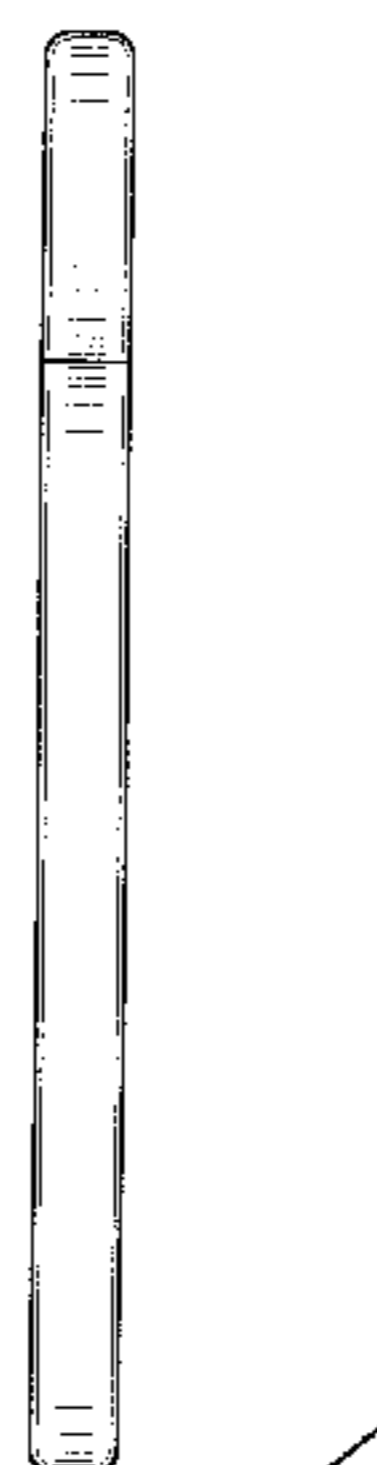
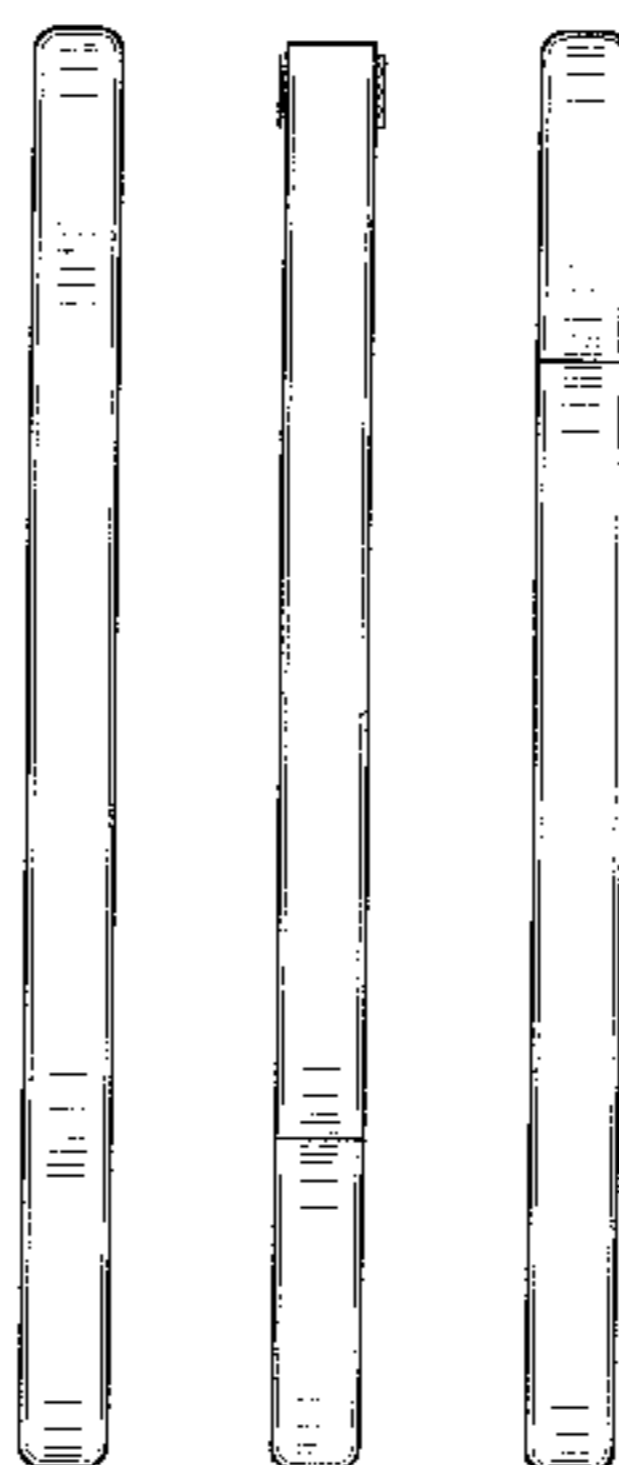
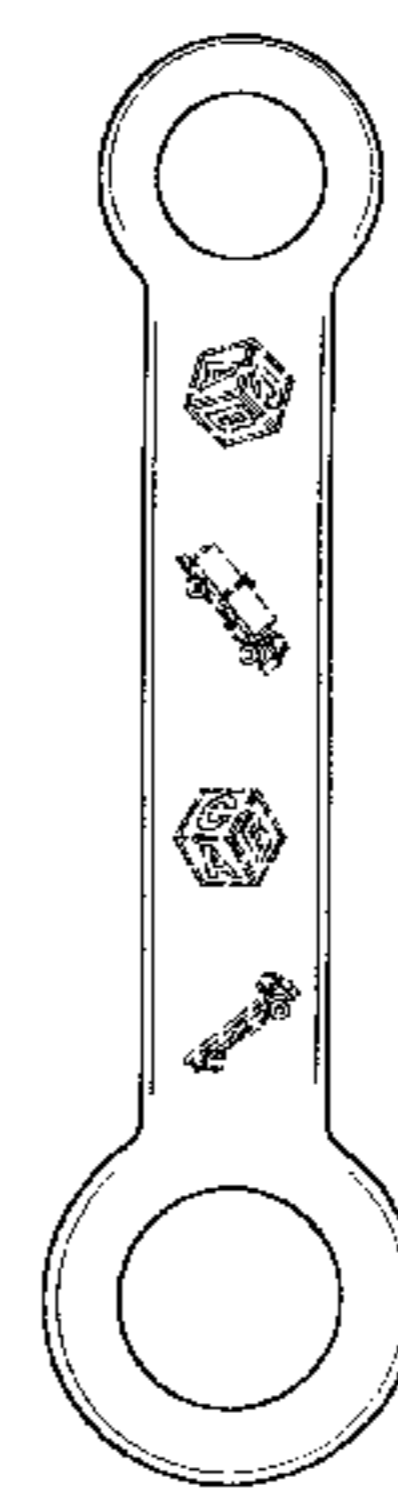
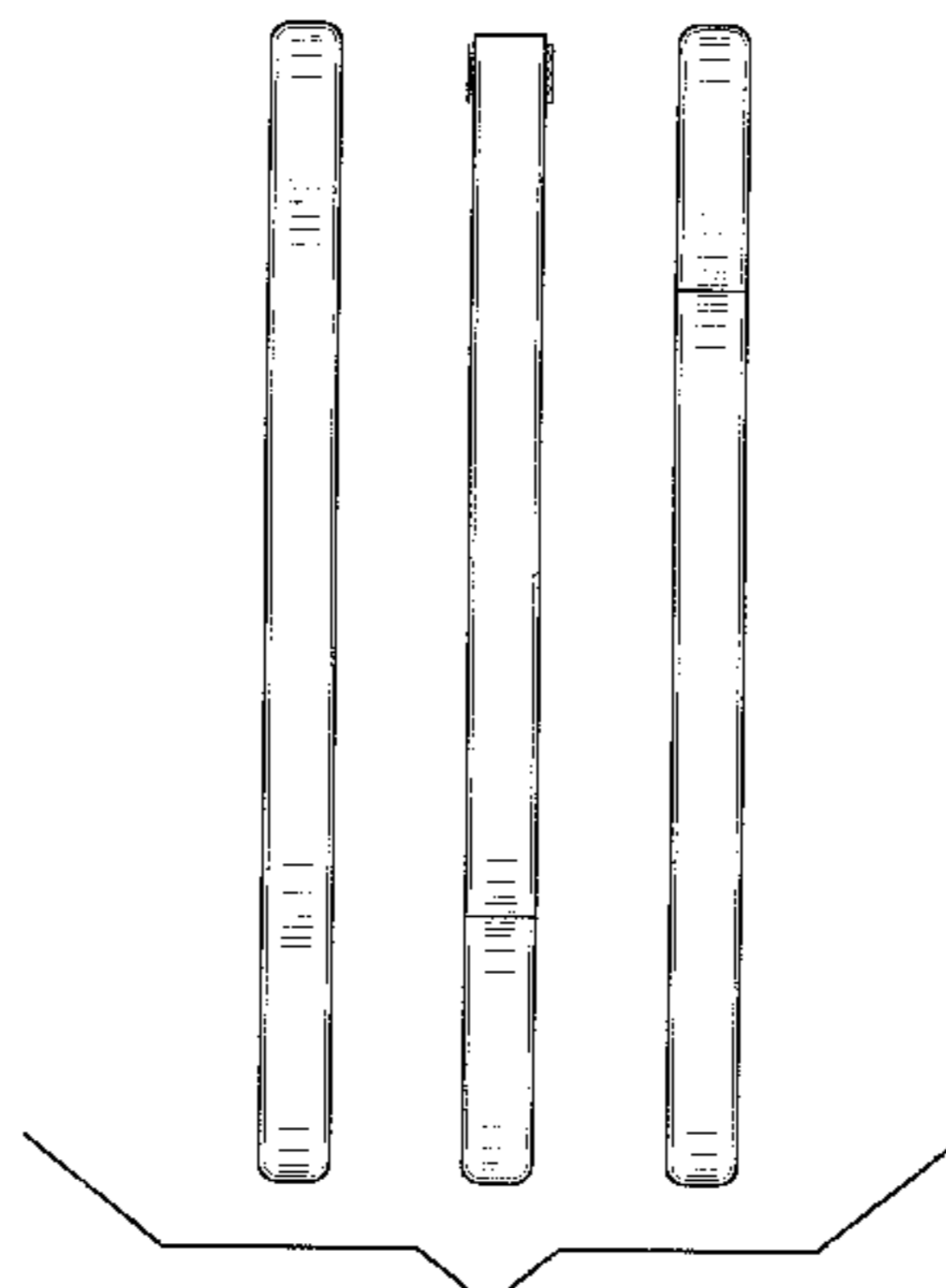
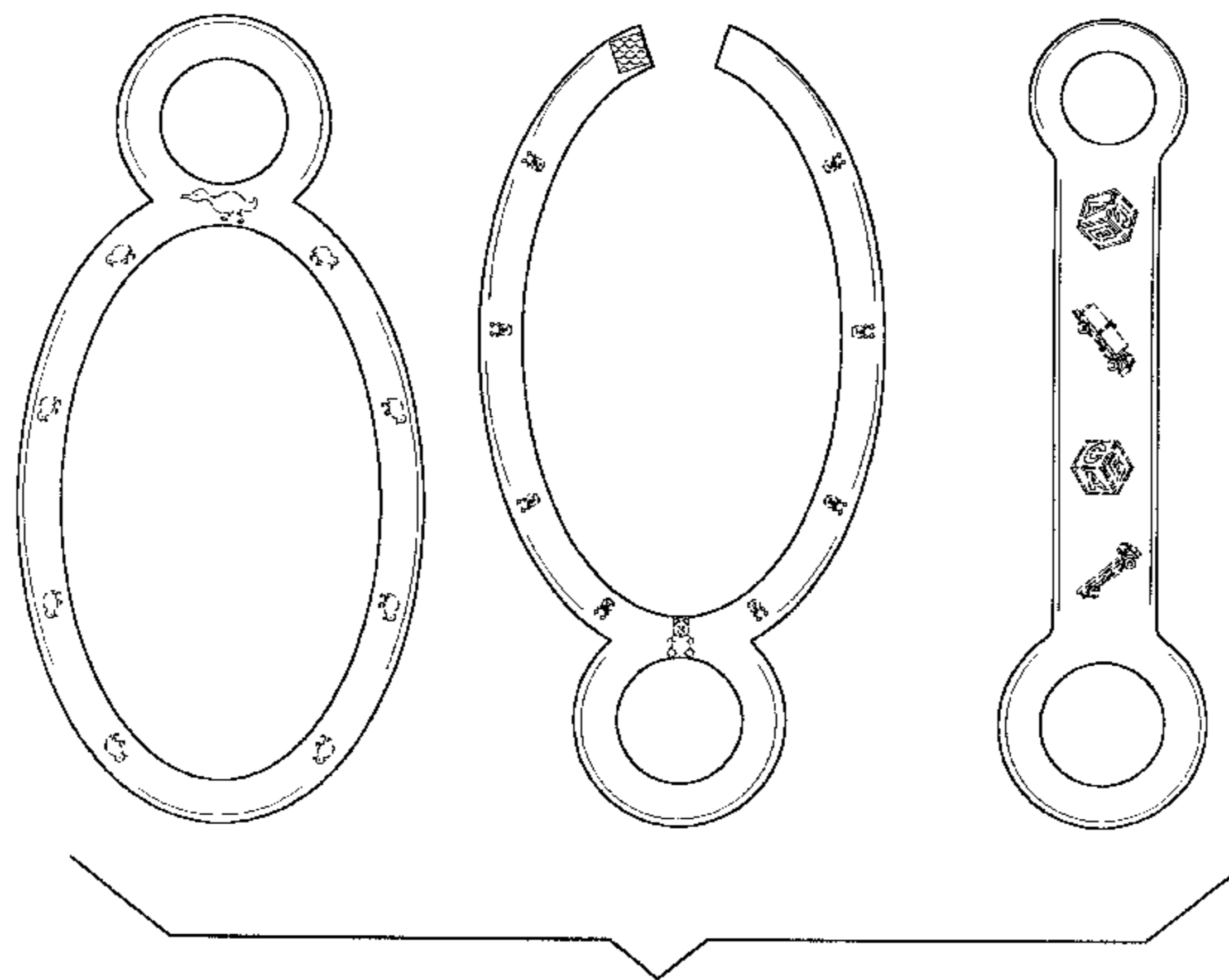
The broken lines showing of ducks, teddy bears, trucks and blocks in FIG. 1 are for illustrative purposes only and form no part of the claimed design.

(56) **References Cited**

**U.S. PATENT DOCUMENTS**

2,041,498	A	*	5/1936	Swidersky	.....	24/301	X
3,392,729	A		7/1968	Lenoir			
D242,503	S	*	11/1976	Derifield	.....	D24/196	X
4,700,408	A	*	10/1987	Winger	.....	24/3.4	
4,719,650	A	*	1/1988	Milloy	.....	2/49.1	
D295,558	S		5/1988	Jefferson et al.			
4,765,037	A		8/1988	Perry			
D300,281	S	*	3/1989	Coates	.....	D2/863	
4,903,698	A	*	2/1990	Huber et al.	.....	606/235	
4,972,980	A		11/1990	Parson			
4,985,968	A	*	1/1991	Hooper	.....	24/302	
4,994,075	A		2/1991	Smith et al.			

**1 Claim, 5 Drawing Sheets**



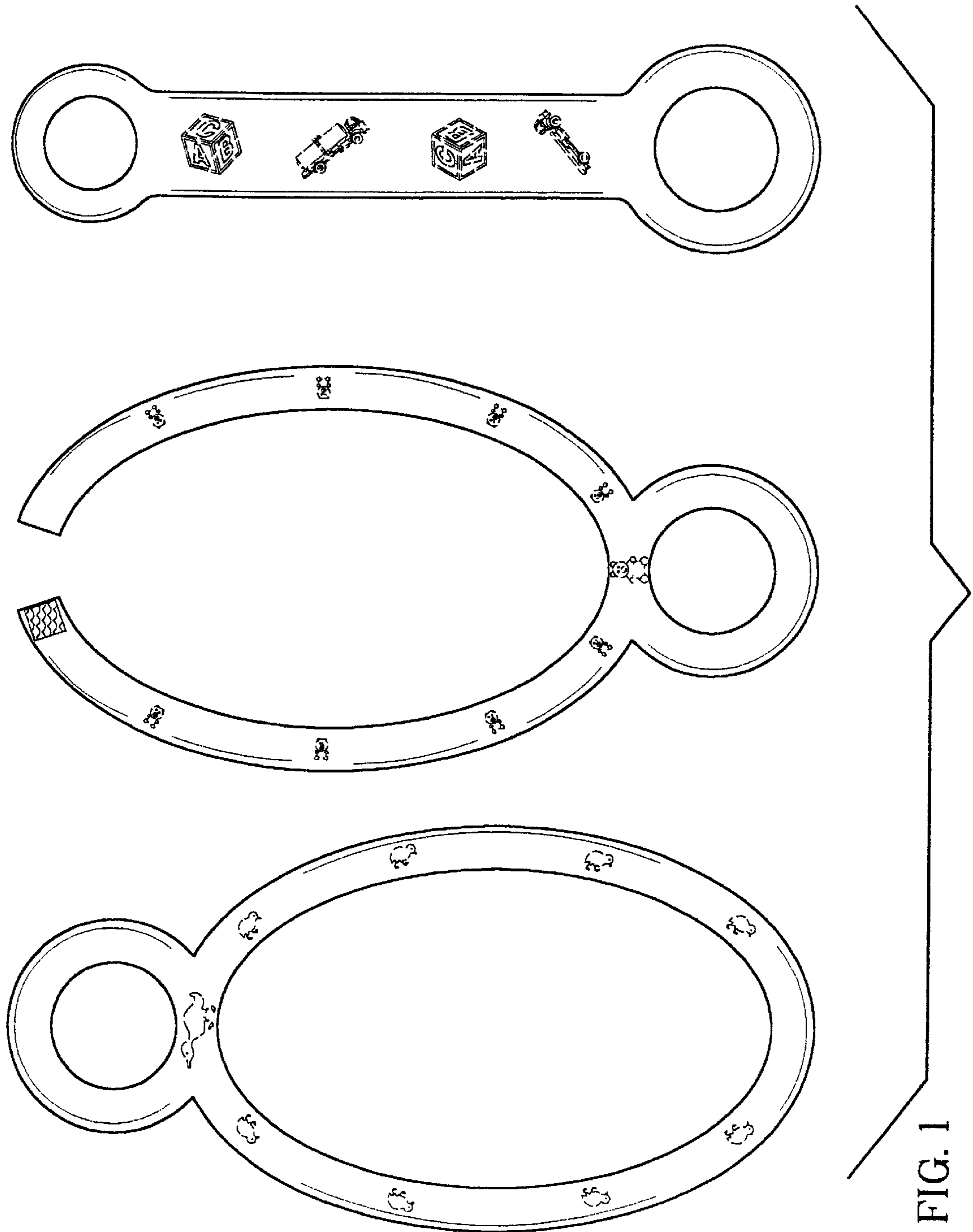
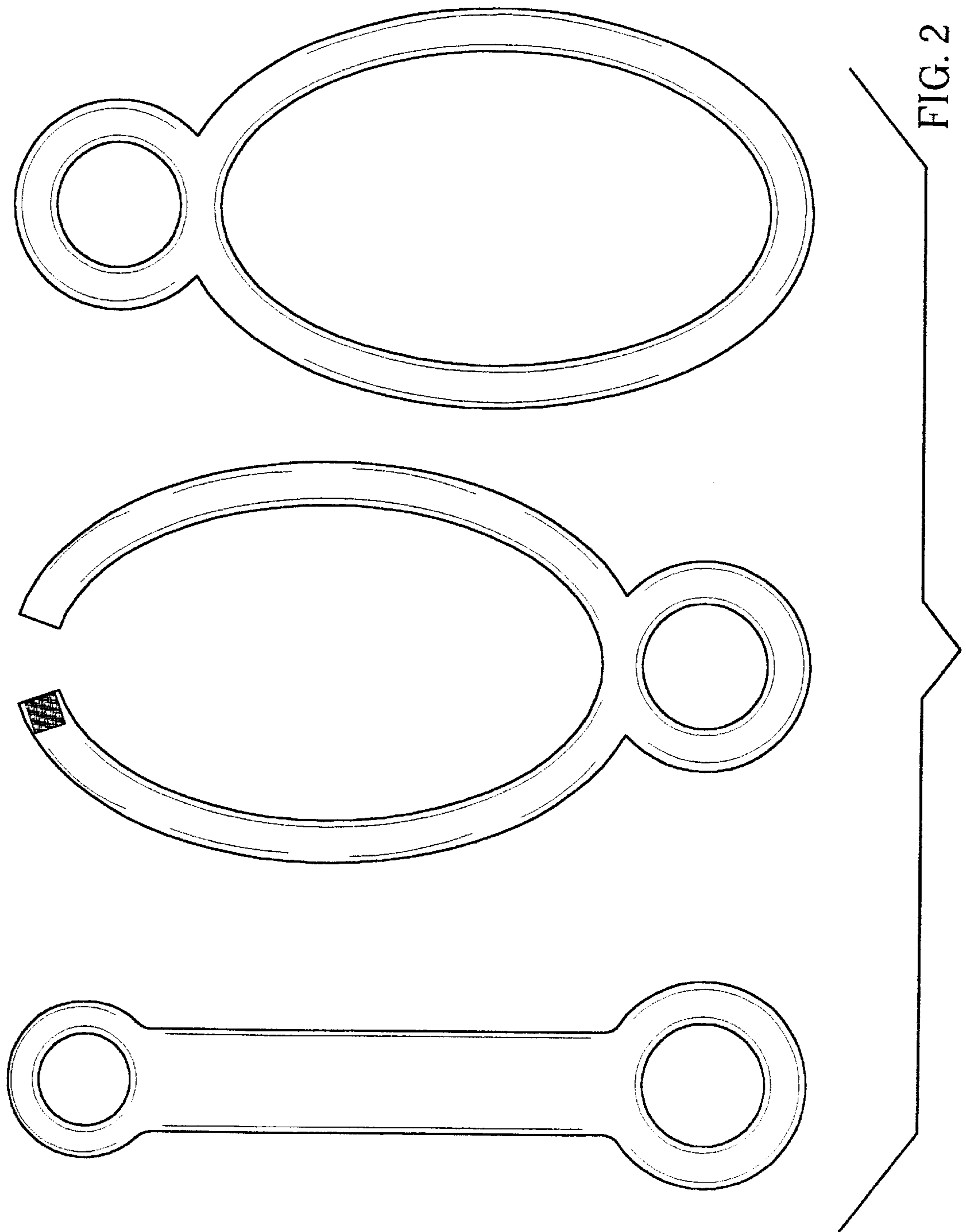


FIG. 1



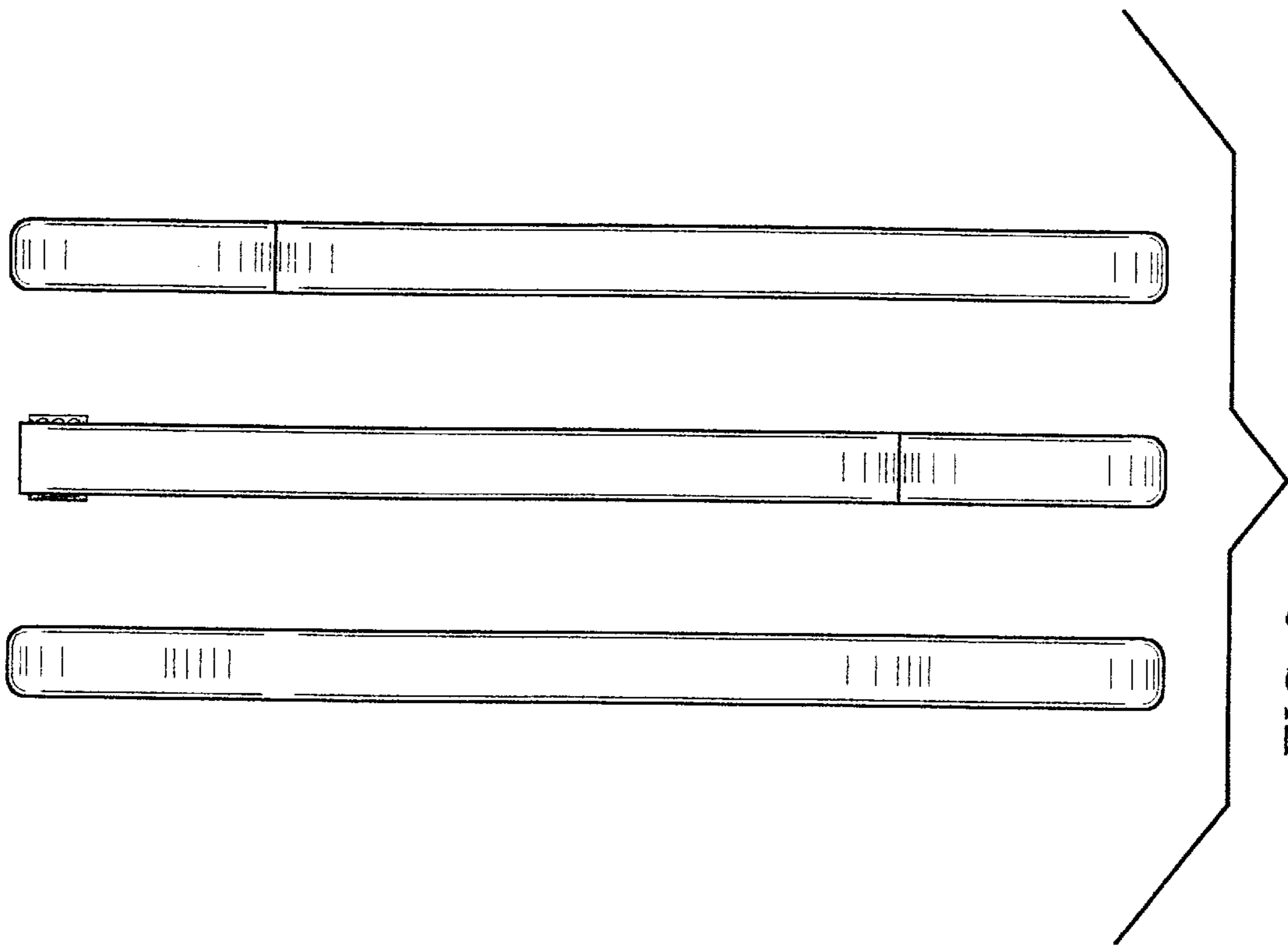


FIG. 3

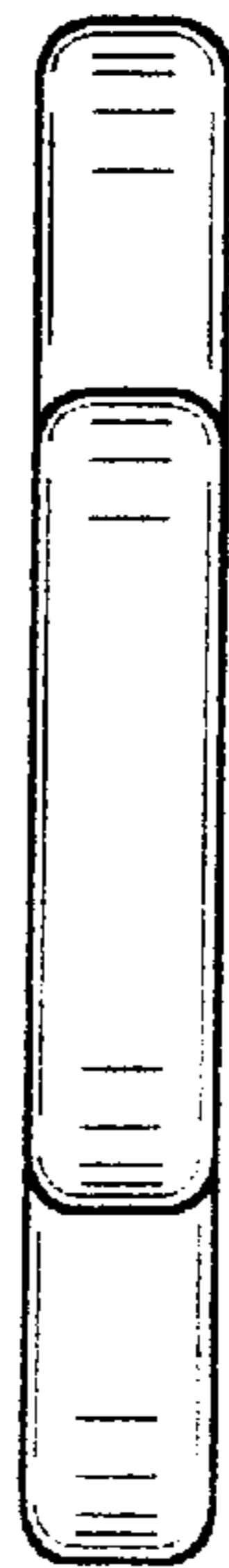
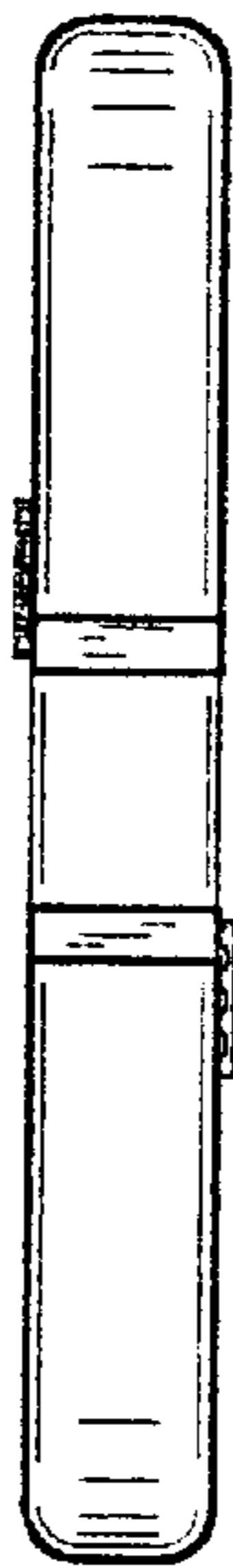


FIG. 4

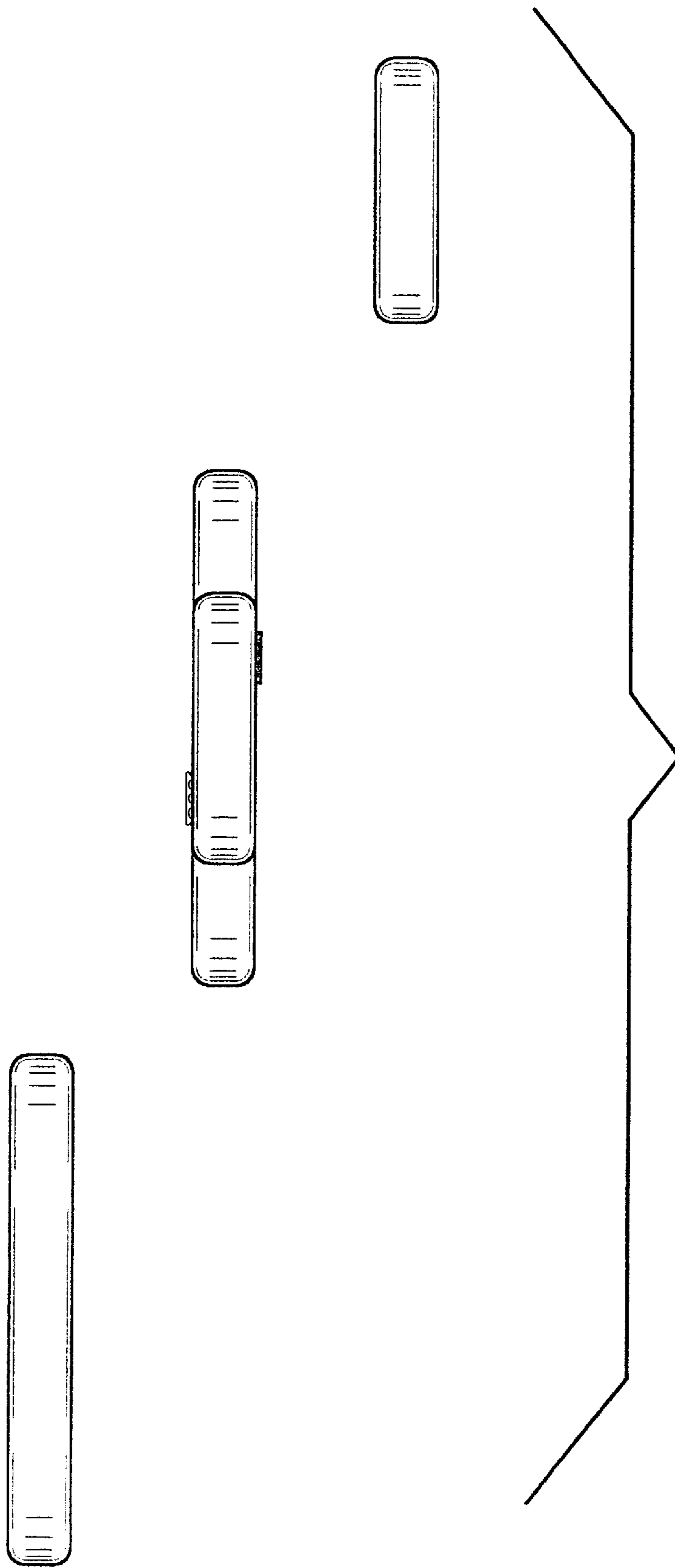


FIG. 5