



US00D470237S

(12) **United States Design Patent**
Choi et al.

(10) **Patent No.:** **US D470,237 S**

(45) **Date of Patent:** **** Feb. 11, 2003**

(54) **SPLIT YOKE FOR A DENTAL X-RAY UNIT**

D349,160 S 7/1994 Pellegrino
D387,163 S 12/1997 Osthues et al.
5,835,554 A * 11/1998 Suzuki et al. 378/98

(75) Inventors: **Charles Y. Choi**, Palatine, IL (US);
Kieron H. Tse, Elk Grove, IL (US);
Arkady Kantor, Buffalo Grove, IL (US)

* cited by examiner

(73) Assignee: **Progeny, Inc.**, Buffalo Grove, IL (US)

Primary Examiner—Stella Reid
(74) *Attorney, Agent, or Firm*—Nicholas A. Kees; Godfrey & Kahn, S.C.

(**) Term: **14 Years**

(57) **CLAIM**

(21) Appl. No.: **29/156,762**

The ornamental design for a split yoke for a dental X-ray unit, substantially as shown and described.

(22) Filed: **Mar. 6, 2002**

DESCRIPTION

(51) **LOC (7) Cl.** **24-01**

(52) **U.S. Cl.** **D24/158**

(58) **Field of Search** D24/158; 378/168,
378/169, 167, 170, 197, 193, 98, 38

FIG. 1 is a perspective view of an embodiment of our ornamental design for a split yoke for a dental X-ray unit, including, in phantom, the entire dental X-ray unit; FIG. 2 is a perspective view of an embodiment of our ornamental design for a split yoke for a dental X-ray unit; FIG. 3 is a front elevational view thereof, the rear elevational view being a mirror image thereof; FIG. 4 is a side elevational view thereof; FIG. 5 is a side elevational view thereof, from the opposite side; FIG. 6 is a top plan view thereof; and, FIG. 7 is a bottom plan view thereof.

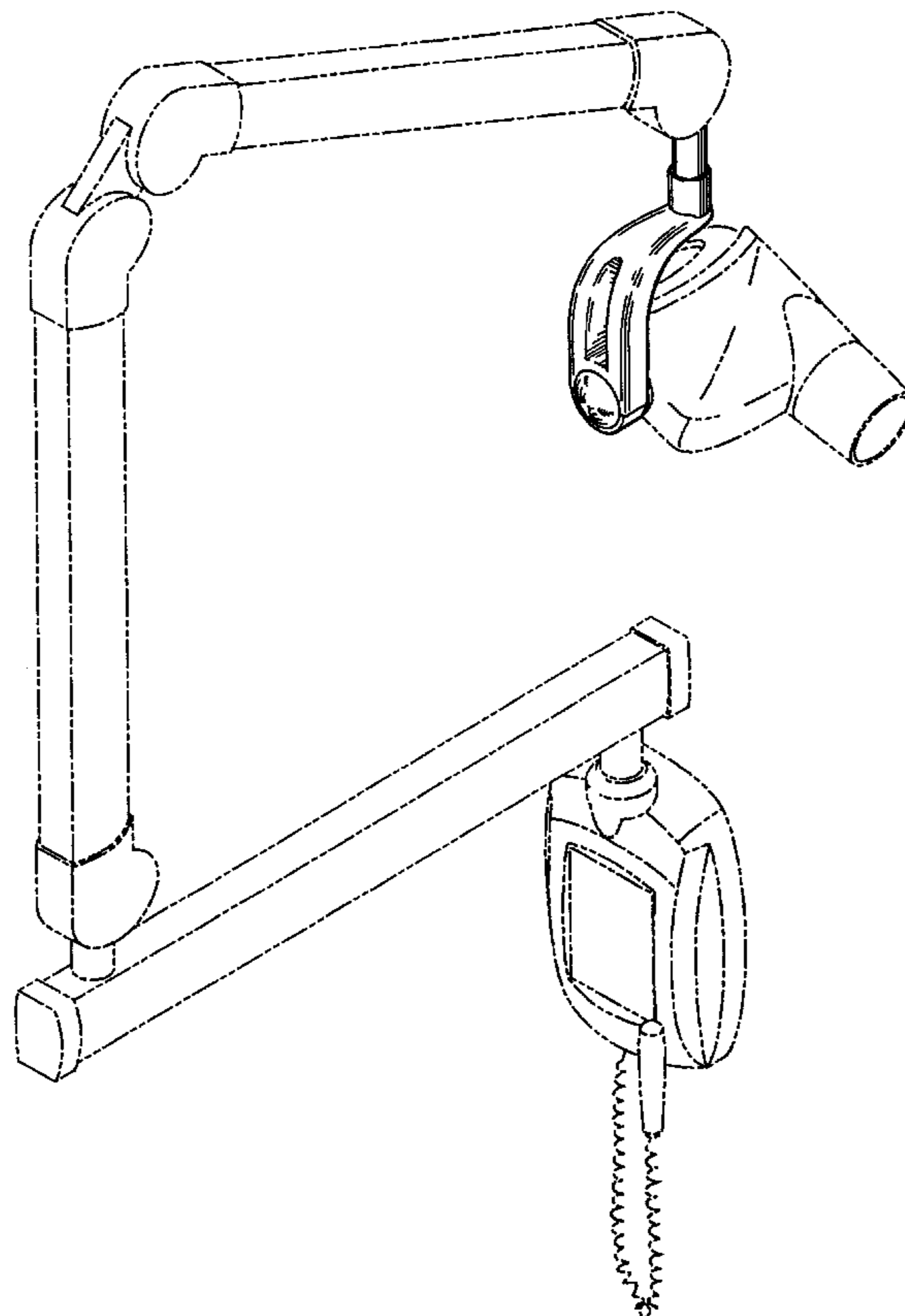
(56) **References Cited**

U.S. PATENT DOCUMENTS

- 4,057,733 A * 11/1977 Hofmockel et al. 378/170
- 4,060,731 A 11/1977 Rissi
- D246,665 S 12/1977 Updegrave
- 4,104,530 A * 8/1978 Weiss 378/38
- 4,150,296 A 4/1979 Edeland et al.
- 4,157,476 A 6/1979 O'Connor
- D290,500 S 6/1987 Makas et al.
- 4,829,548 A * 5/1989 Halm et al. 378/38
- 4,984,261 A 1/1991 Maldonado et al.
- 4,993,057 A 2/1991 Runnells

The portions shown in phantom or broken lines in FIG. 1 form no part of the claimed design and are included only for the purpose of illustrating an environment.

1 Claim, 5 Drawing Sheets



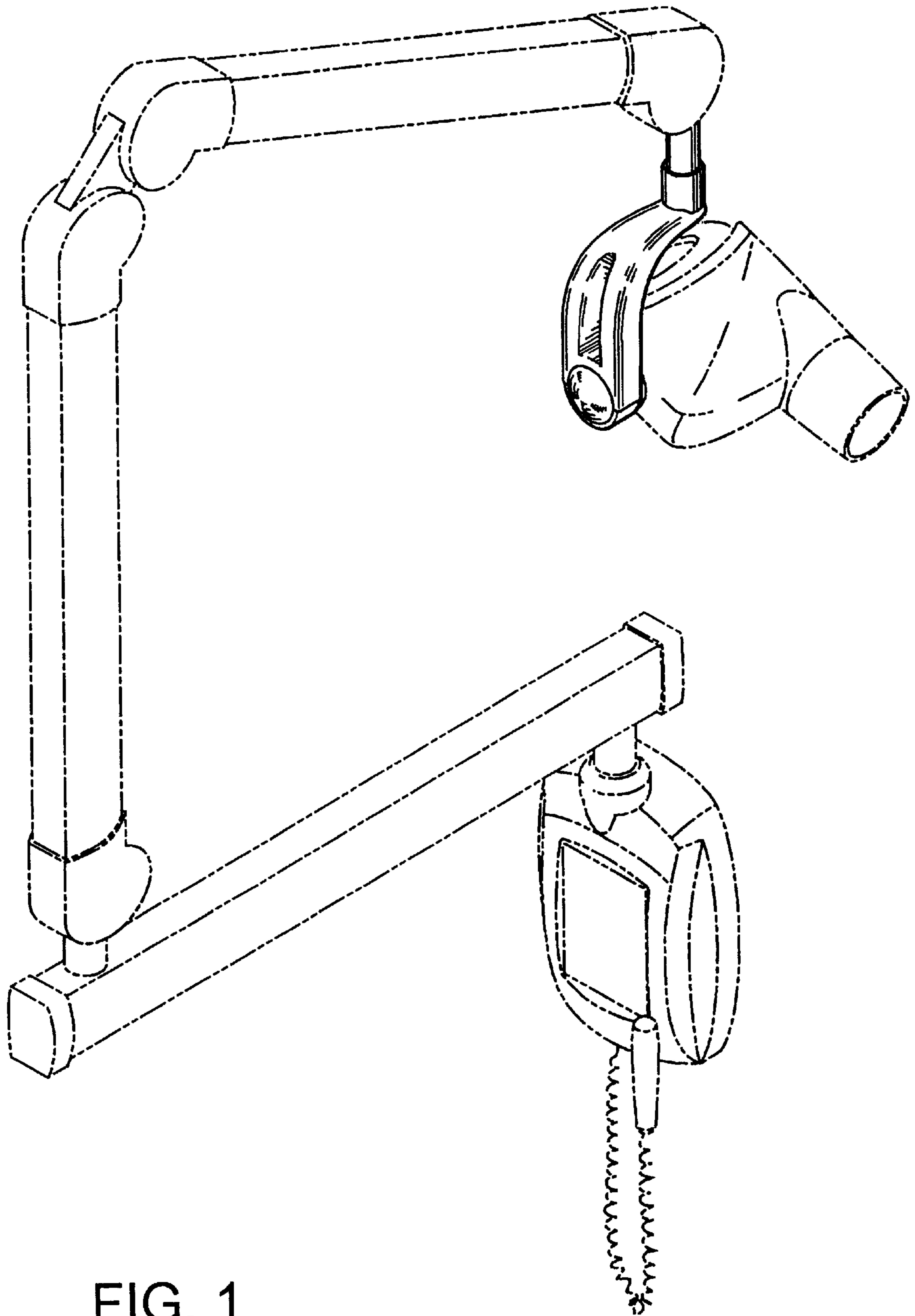


FIG. 1

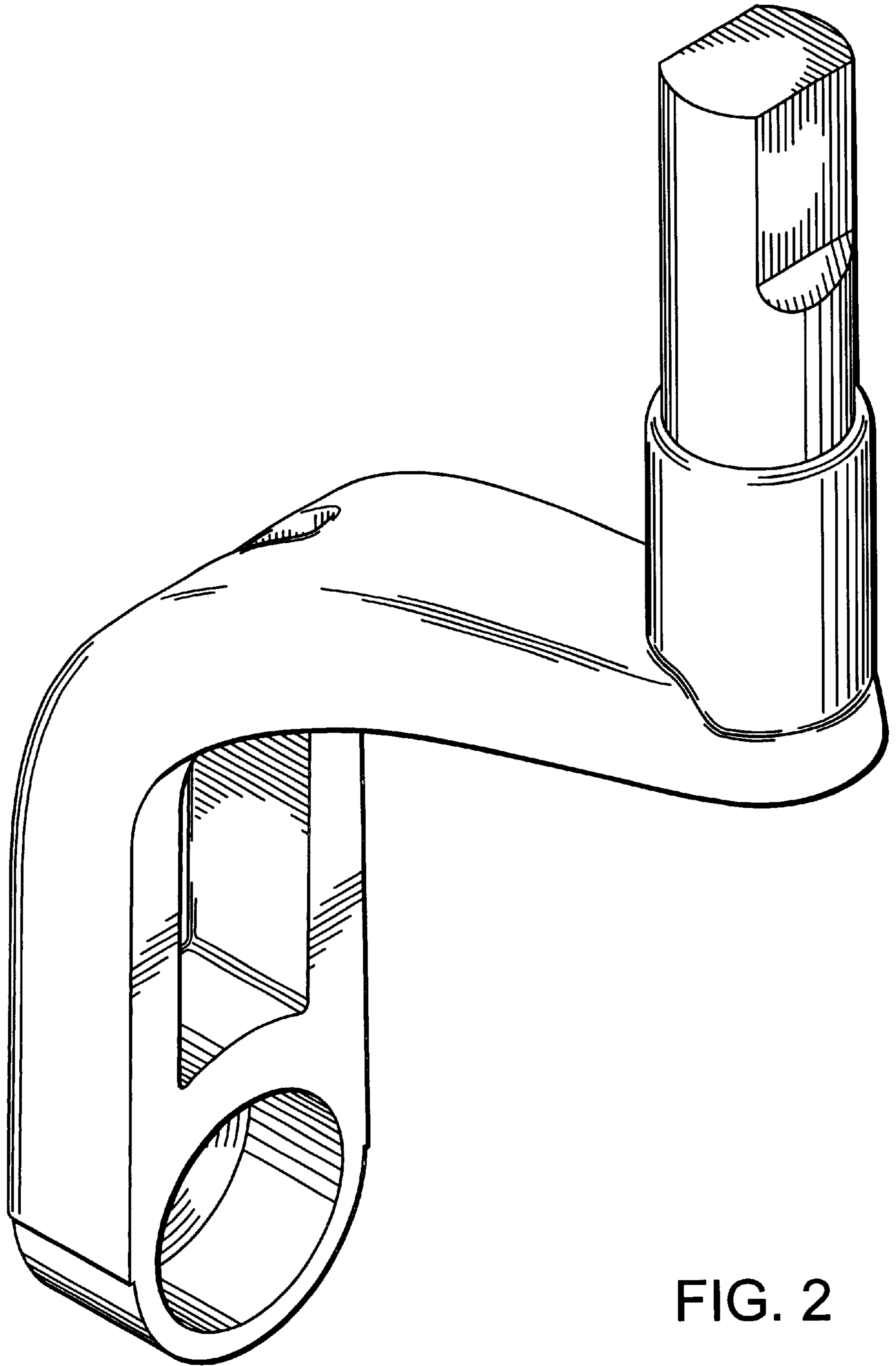


FIG. 2

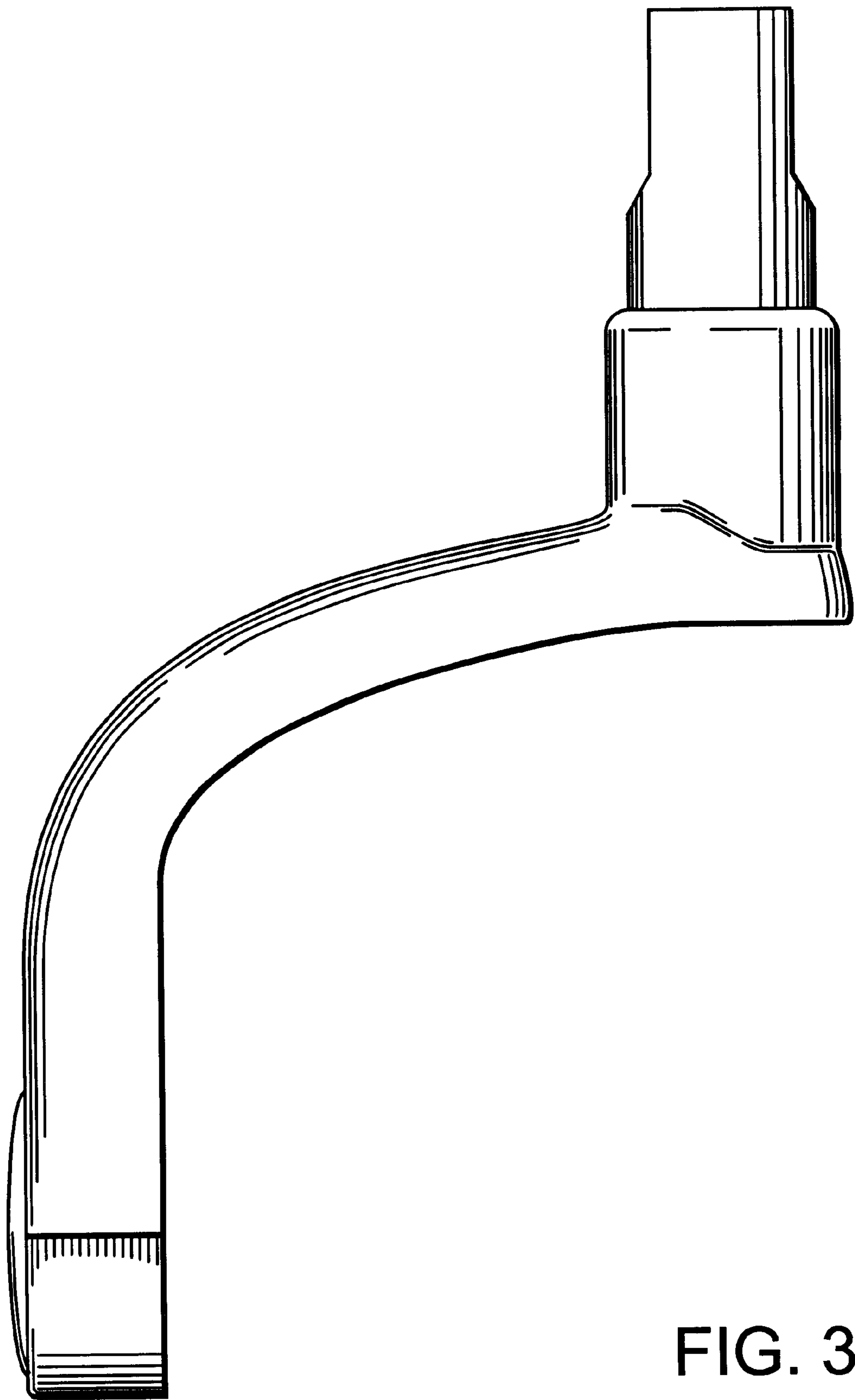


FIG. 3

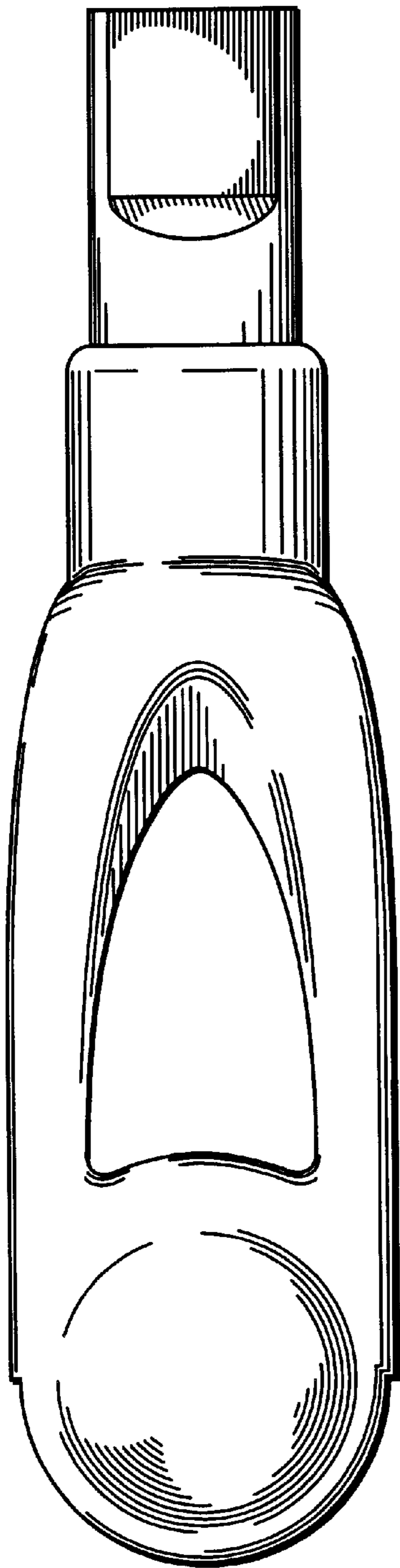


FIG. 4

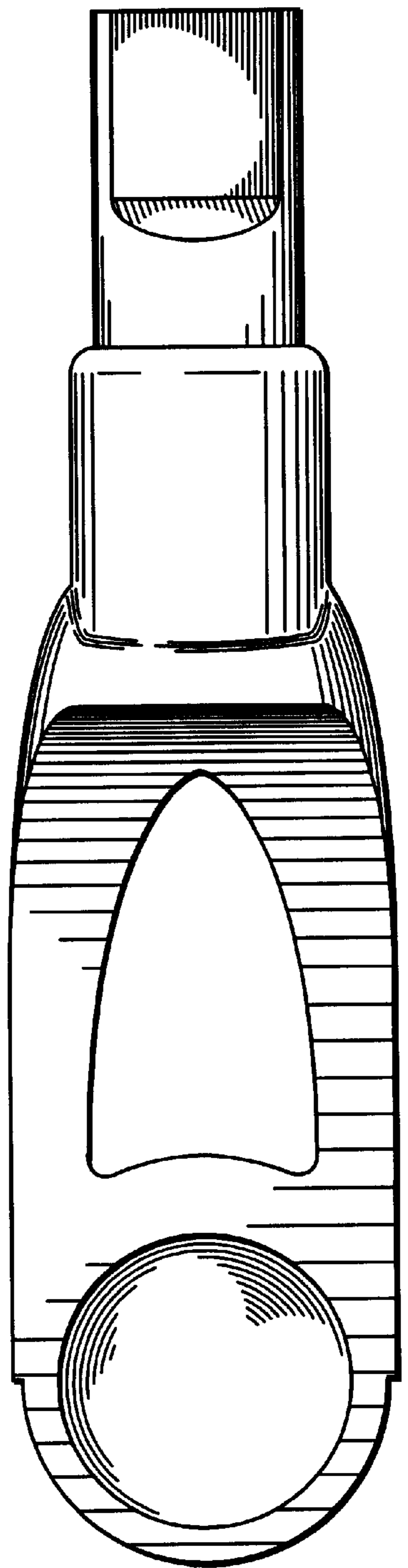


FIG. 5

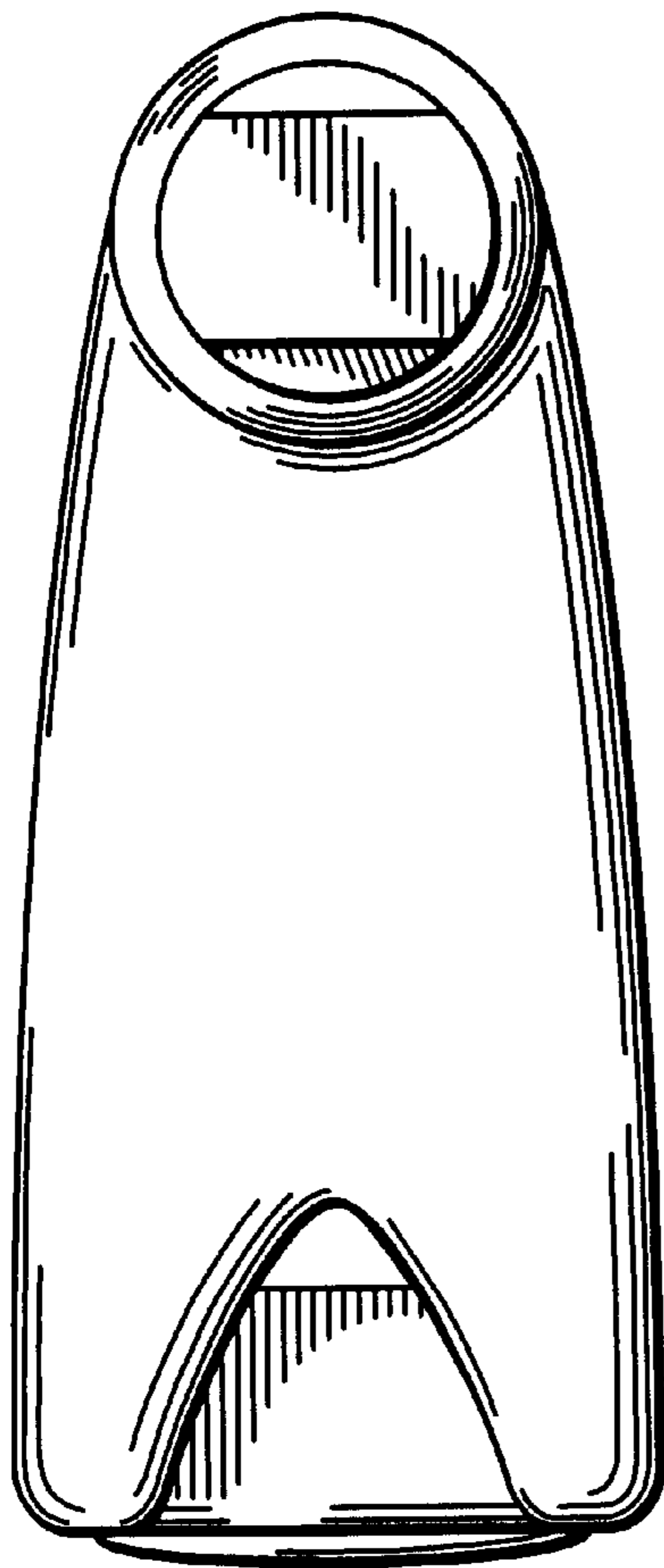


FIG. 6

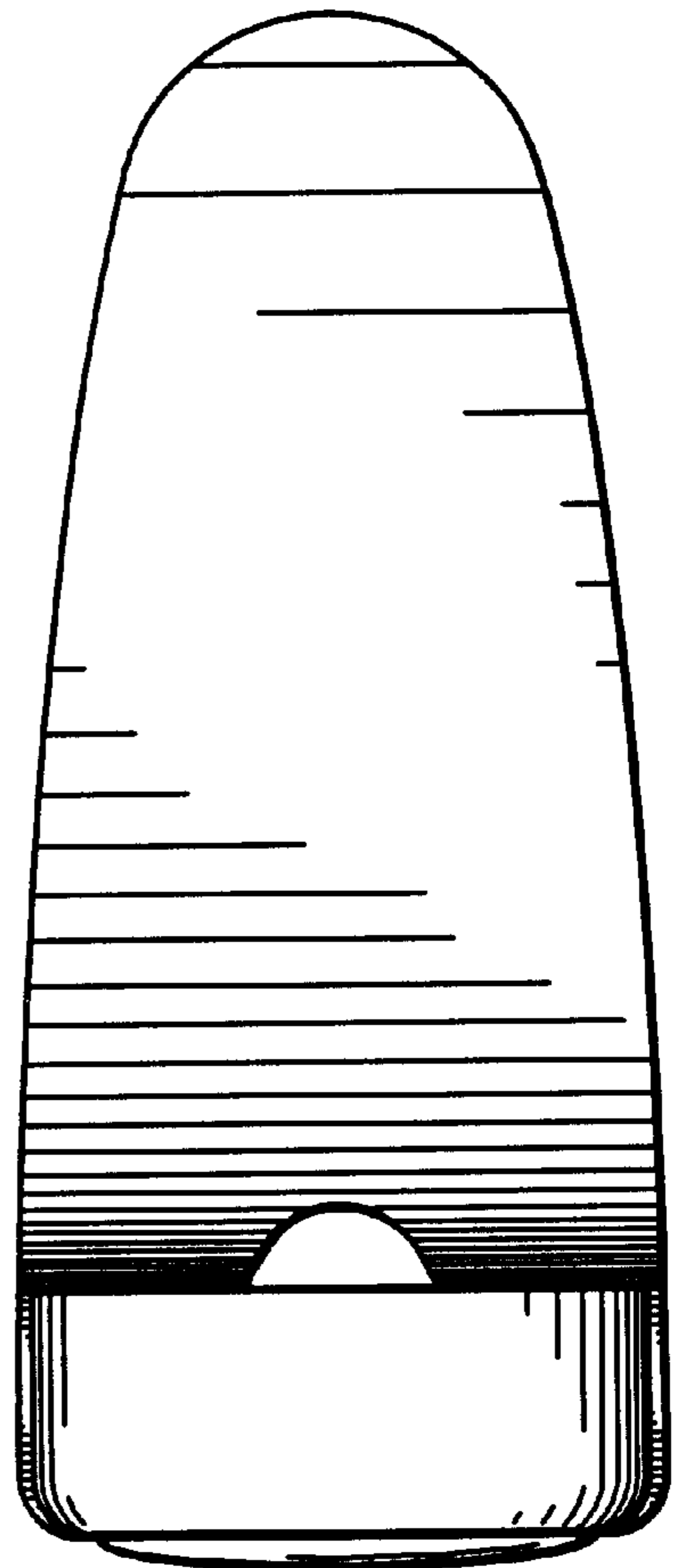


FIG. 7