



US00D470234S

(12) **United States Design Patent**
Mahurkar

(10) **Patent No.:** **US D470,234 S**

(45) **Date of Patent:** **** Feb. 11, 2003**

(54) **SAFETY SYRINGE**

6,206,856 B1 3/2001 Mahurkar 604/195
6,419,658 B1 * 7/2002 Restelli et al. 604/198

(76) Inventor: **Sakharam D. Mahurkar**, 6171 N.
Sheridan Rd. Suite 112, Chicago, IL
(US) 60660

* cited by examiner

(**) Term: **14 Years**

Primary Examiner—Ian Simmons

(74) *Attorney, Agent, or Firm*—Jenkins & Gilchrist

(21) Appl. No.: **29/152,946**

(22) Filed: **Dec. 26, 2001**

(57) **CLAIM**

The ornamental design for a safety syringe, as shown and described.

(51) **LOC (7) Cl.** **24-02**

DESCRIPTION

(52) **U.S. Cl.** **D24/114; D24/112; D24/130**

(58) **Field of Search** D24/114, 112,
D24/130; 604/192, 263, 198, 111, 160,
162

FIG. 1 is an isometric view of a first embodiment of my new safety syringe;

FIG. 2 is a front elevation thereof;

FIG. 3 is a rear elevation thereof;

FIG. 4 is a left side elevation thereof;

FIG. 5 is a right side elevation thereof;

FIG. 6 is a top plan view thereof;

FIG. 7 is a bottom plan view thereof;

FIG. 8 is an isometric view of a second embodiment of my new safety syringe;

FIG. 9 is a front elevation thereof;

FIG. 10 is a rear elevation thereof;

FIG. 11 is a left side elevation thereof;

FIG. 12 is a right side elevation thereof;

FIG. 13 is a top plan view thereof; and,

FIG. 14 is a bottom plan view thereof.

(56) **References Cited**

U.S. PATENT DOCUMENTS

4,935,016	A	*	6/1990	Deleo	604/198
D313,470	S	*	1/1991	Talonn et al.	D24/114
D344,355	S	*	2/1994	Talonn et al.	D24/112
5,514,100	A		5/1996	Mahurkar	604/195
5,643,222	A		7/1997	Mahurkar	604/195
5,685,862	A		11/1997	Mahurkar	604/194
5,836,921	A		11/1998	Mahurkar	604/195
5,891,105	A		4/1999	Mahurkar	604/195
6,106,500	A		8/2000	Mahurkar	604/195
6,117,112	A		9/2000	Mahurkar	604/194
6,156,013	A		12/2000	Mahurkar	604/195

1 Claim, 8 Drawing Sheets

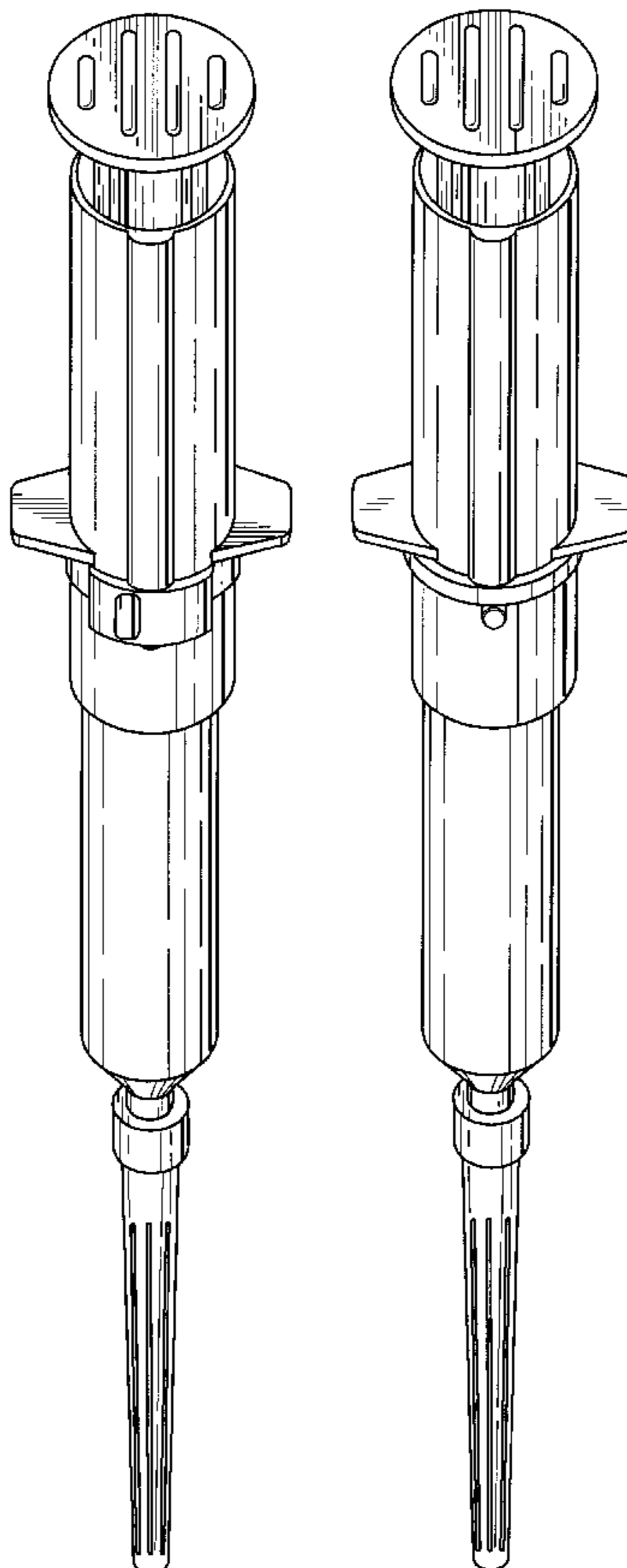


Fig. 1

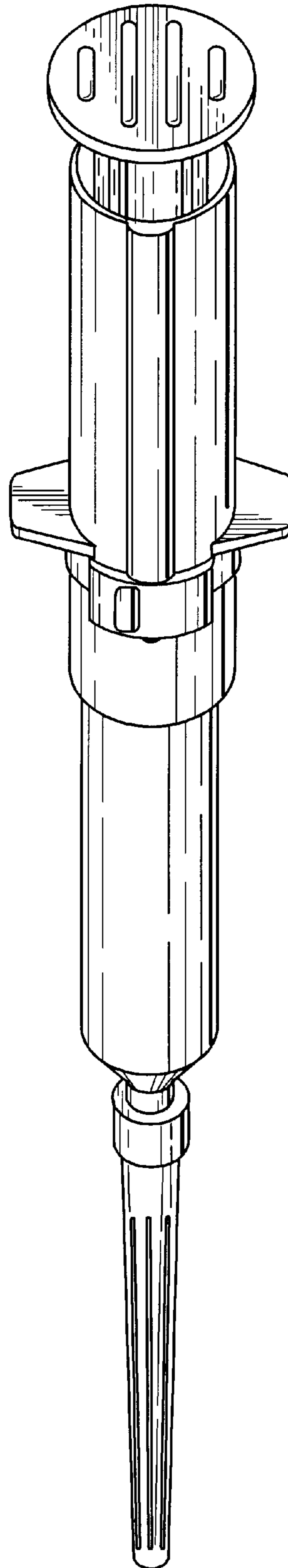


Fig. 2

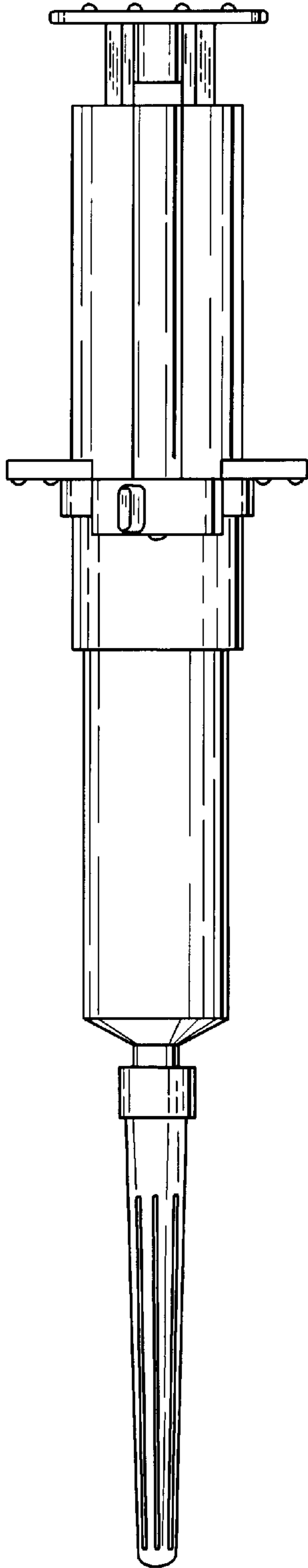


Fig. 3

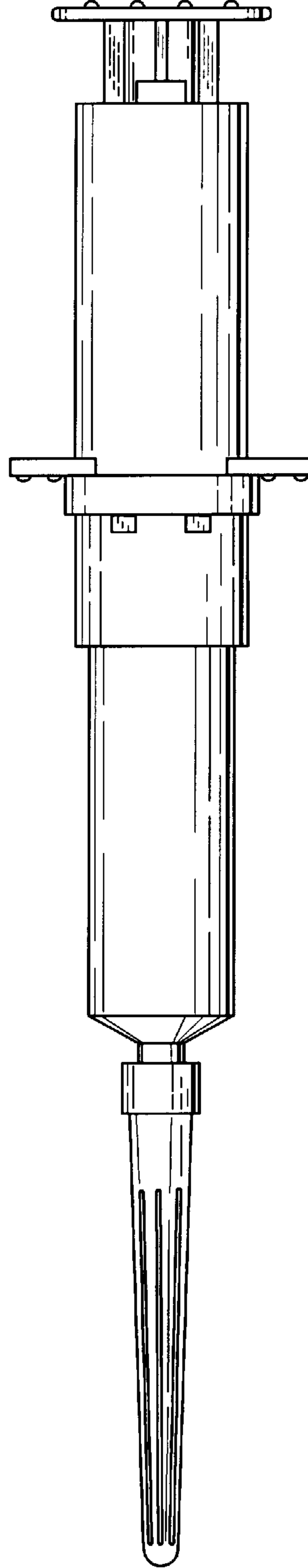


Fig. 4

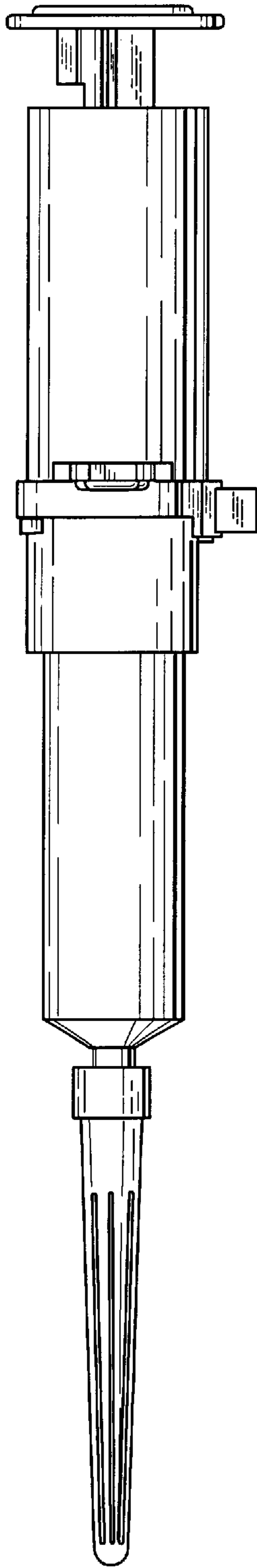


Fig. 5

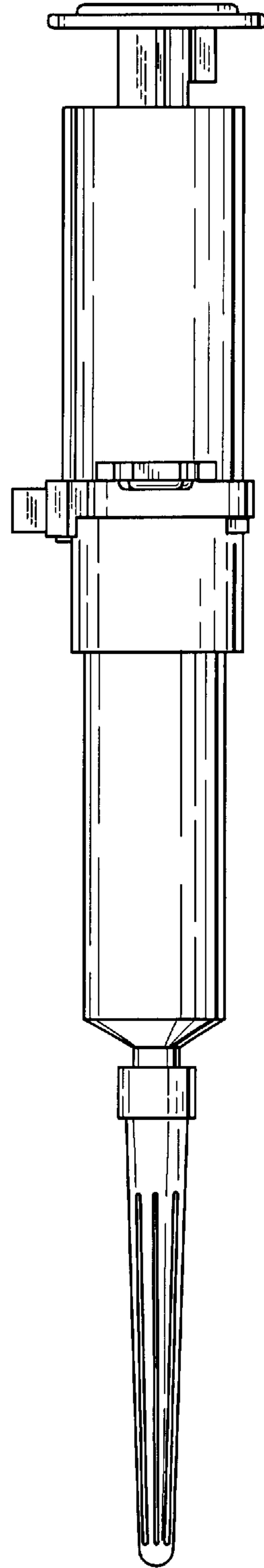


Fig. 6

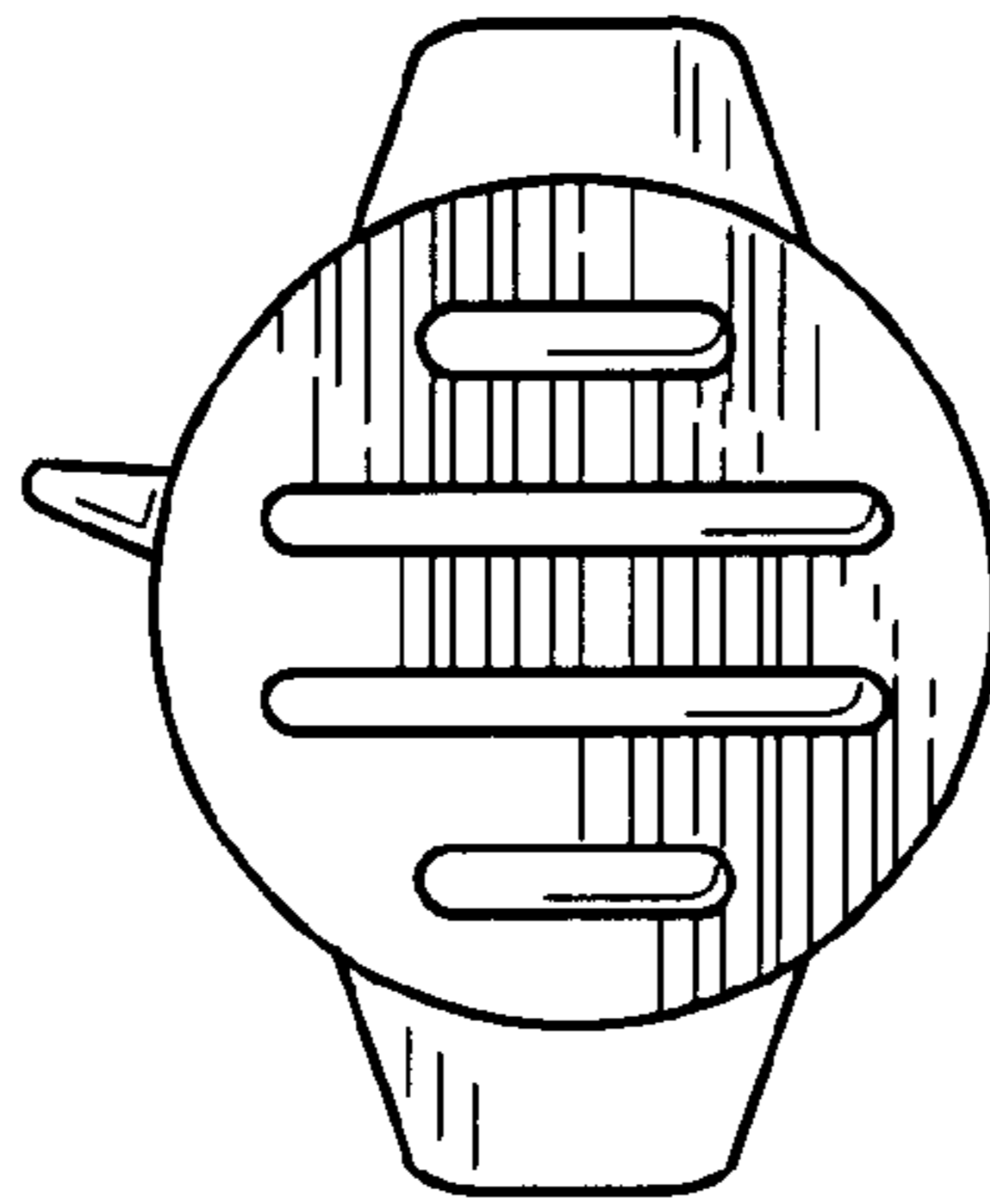


Fig. 7

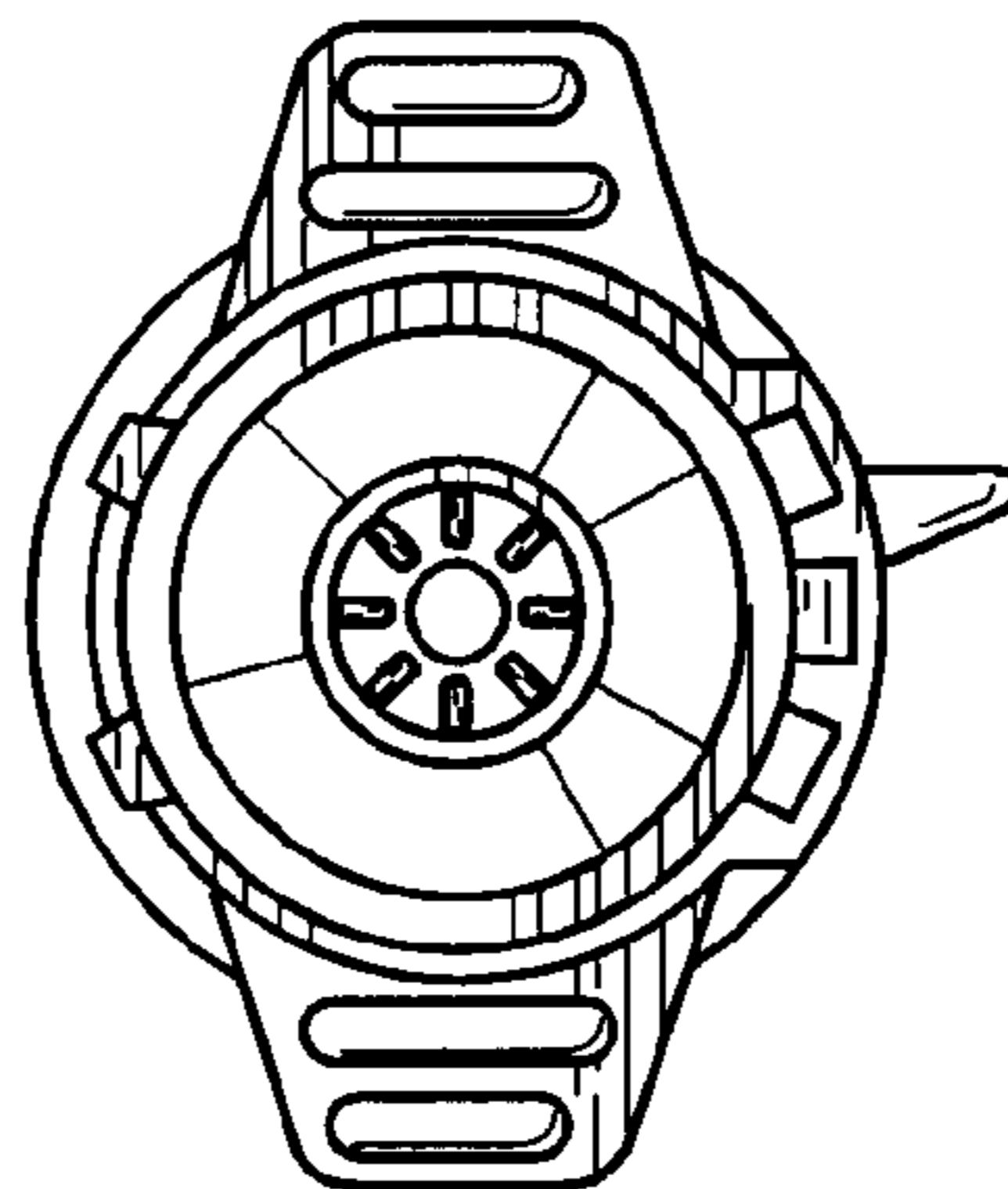


Fig. 8

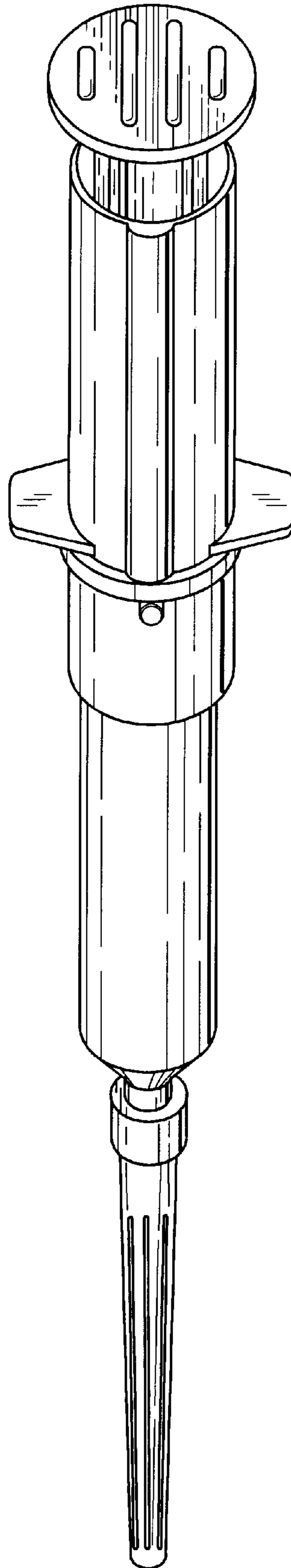


Fig. 9

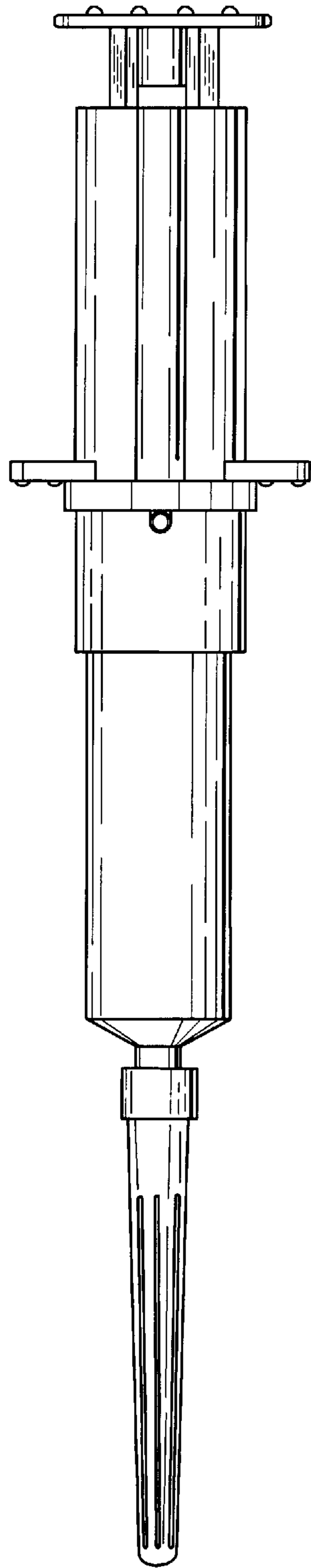


Fig. 10

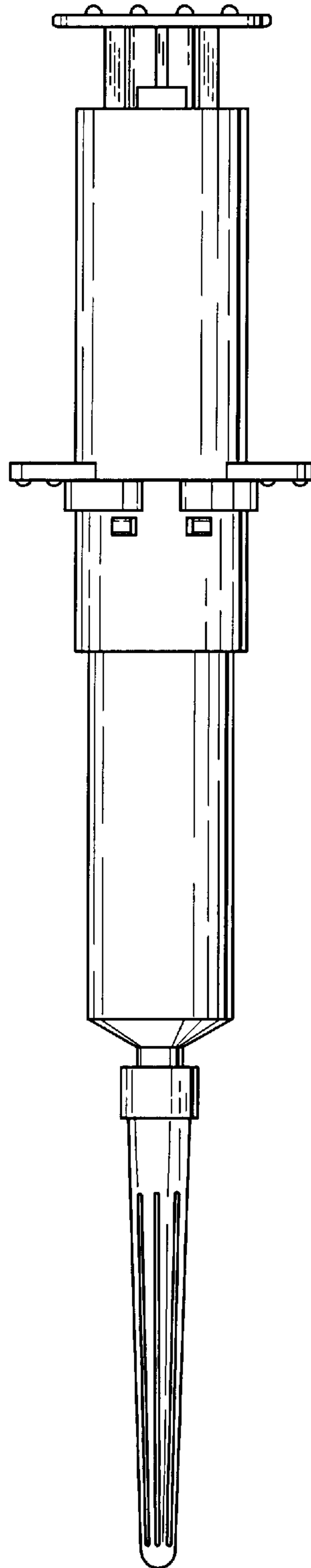


Fig. 11

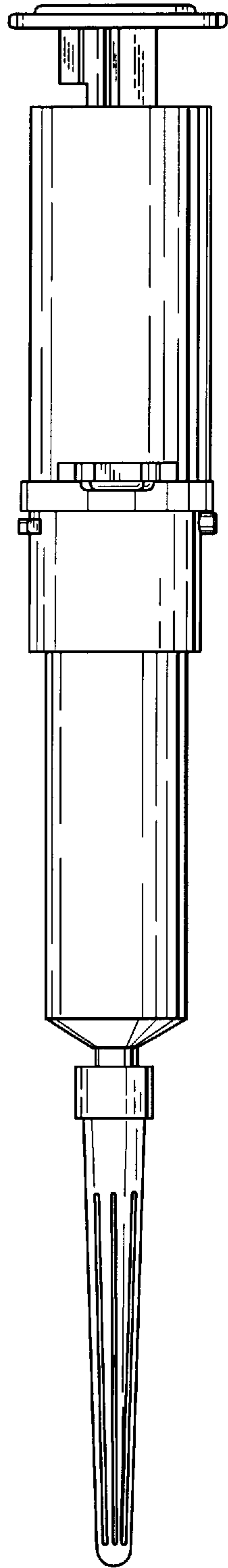


Fig. 12

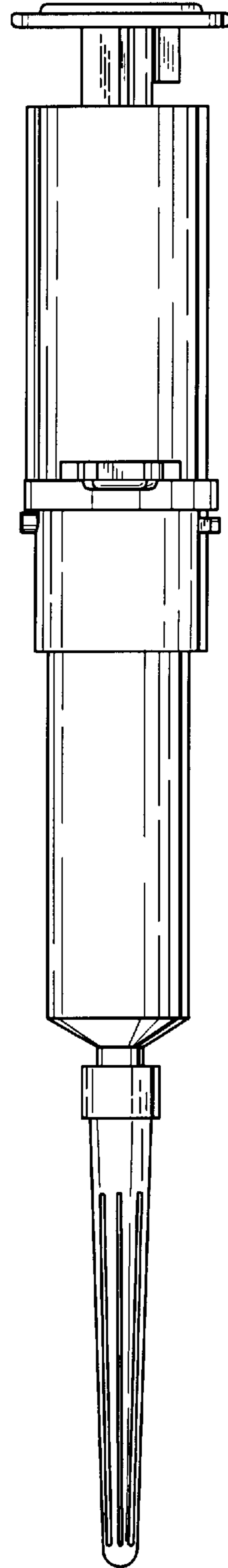


Fig. 13

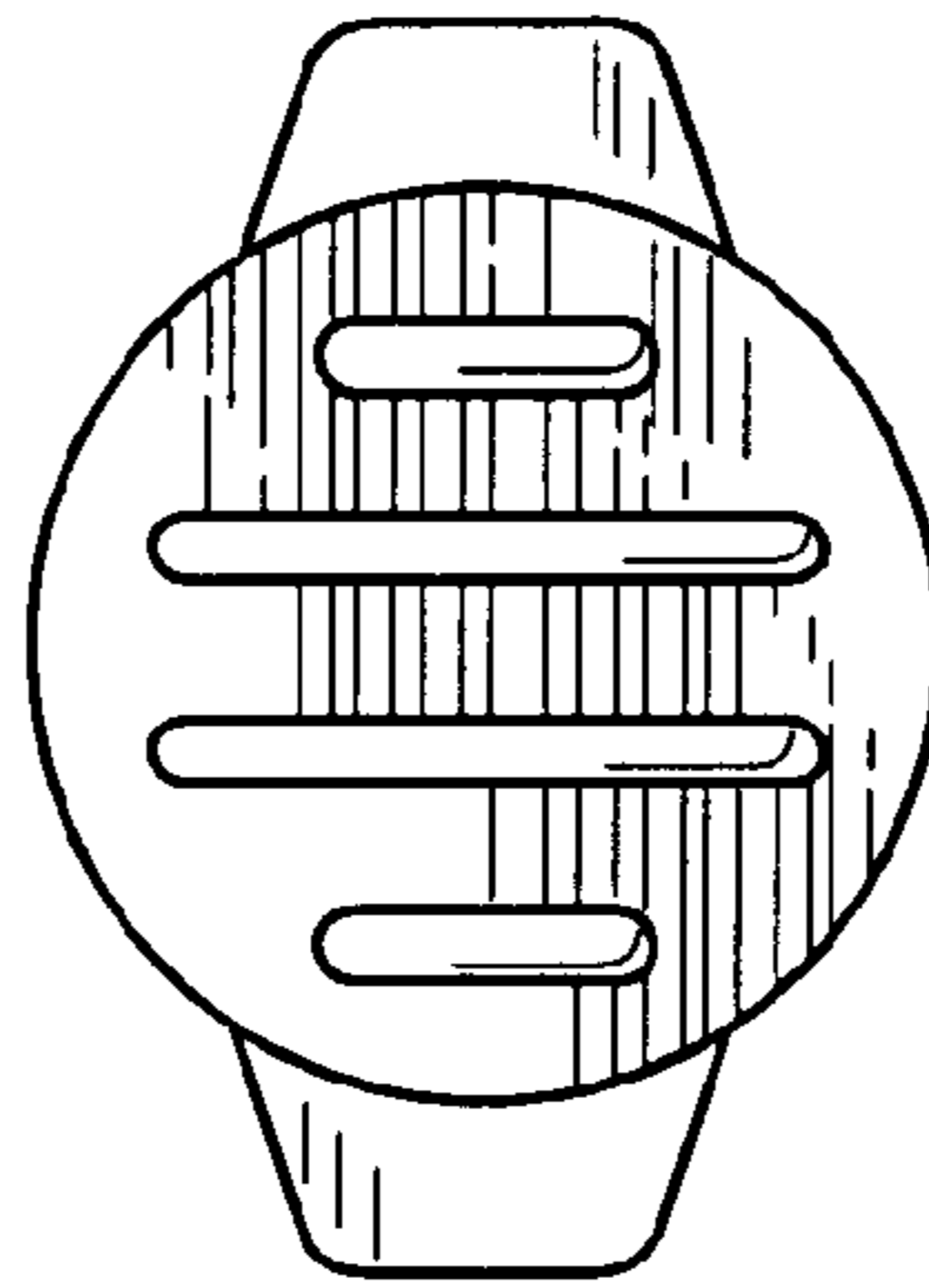


Fig. 14

