



US00D470232S

(12) **United States Design Patent**  
**Yeh**

(10) **Patent No.:** **US D470,232 S**

(45) **Date of Patent:** **\*\* Feb. 11, 2003**

(54) **DESKTOP HEATER**

(75) **Inventor:** **Yuan-Hung Yeh, Taipei Hsien (TW)**

(73) **Assignee:** **Hens Specialty Co., Ltd., Taipei Hsien (TW)**

(\*\*) **Term:** **14 Years**

(21) **Appl. No.:** **29/163,421**

(22) **Filed:** **Jul. 5, 2002**

(51) **LOC (7) Cl.** ..... **23-03**

(52) **U.S. Cl.** ..... **D23/332; D23/339; D23/342**

(58) **Field of Search** ..... **D23/328, 332, D23/342, 336, 339, 335; D26/51; 126/90 R, 93, 92 R, 92 B, 92 AC; 362/92, 217, 253; 431/331, 344**

(56) **References Cited**

**U.S. PATENT DOCUMENTS**

D429,324 S \* 8/2000 Olson et al. .... D23/342

6,164,273 A \* 12/2000 Waters ..... 126/92 AC  
D451,988 S \* 12/2001 Ashton et al. .... D23/328  
D452,301 S \* 12/2001 Schwartz et al. .... D23/332  
D455,204 S \* 4/2002 Bossler ..... D23/342  
6,397,835 B1 \* 6/2002 Liang ..... 126/92 B

\* cited by examiner

*Primary Examiner*—B. J. Bullock

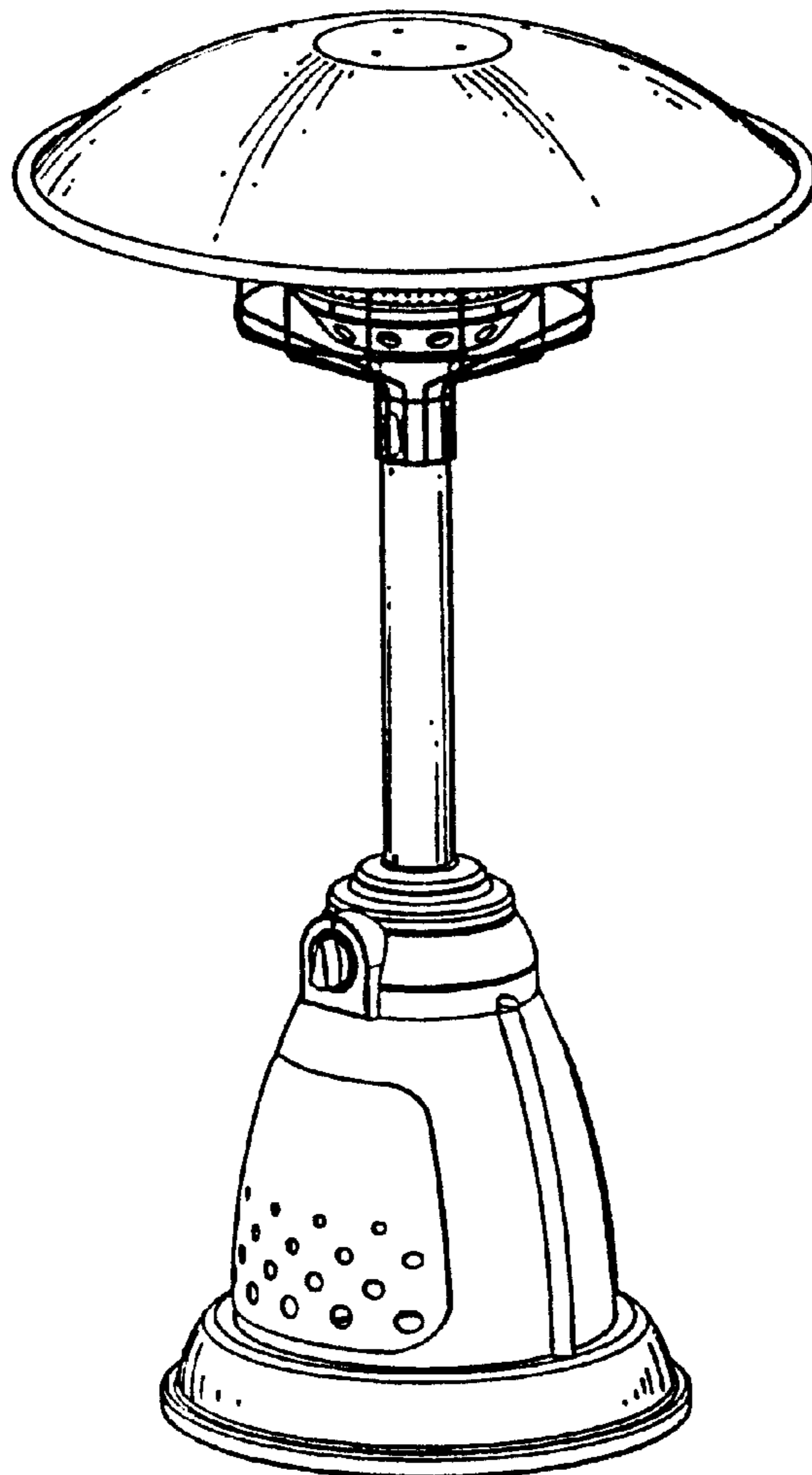
(57) **CLAIM**

The ornamental design for a desktop heater, as shown and described.

**DESCRIPTION**

FIG. 1 is a perspective view thereof;  
FIG. 2 is a front view thereof;  
FIG. 3 is a back view thereof;  
FIG. 4 is a left side view thereof;  
FIG. 5 is a right side view thereof;  
FIG. 6 is a top view thereof; and,  
FIG. 7 is a bottom view thereof.

**1 Claim, 4 Drawing Sheets**



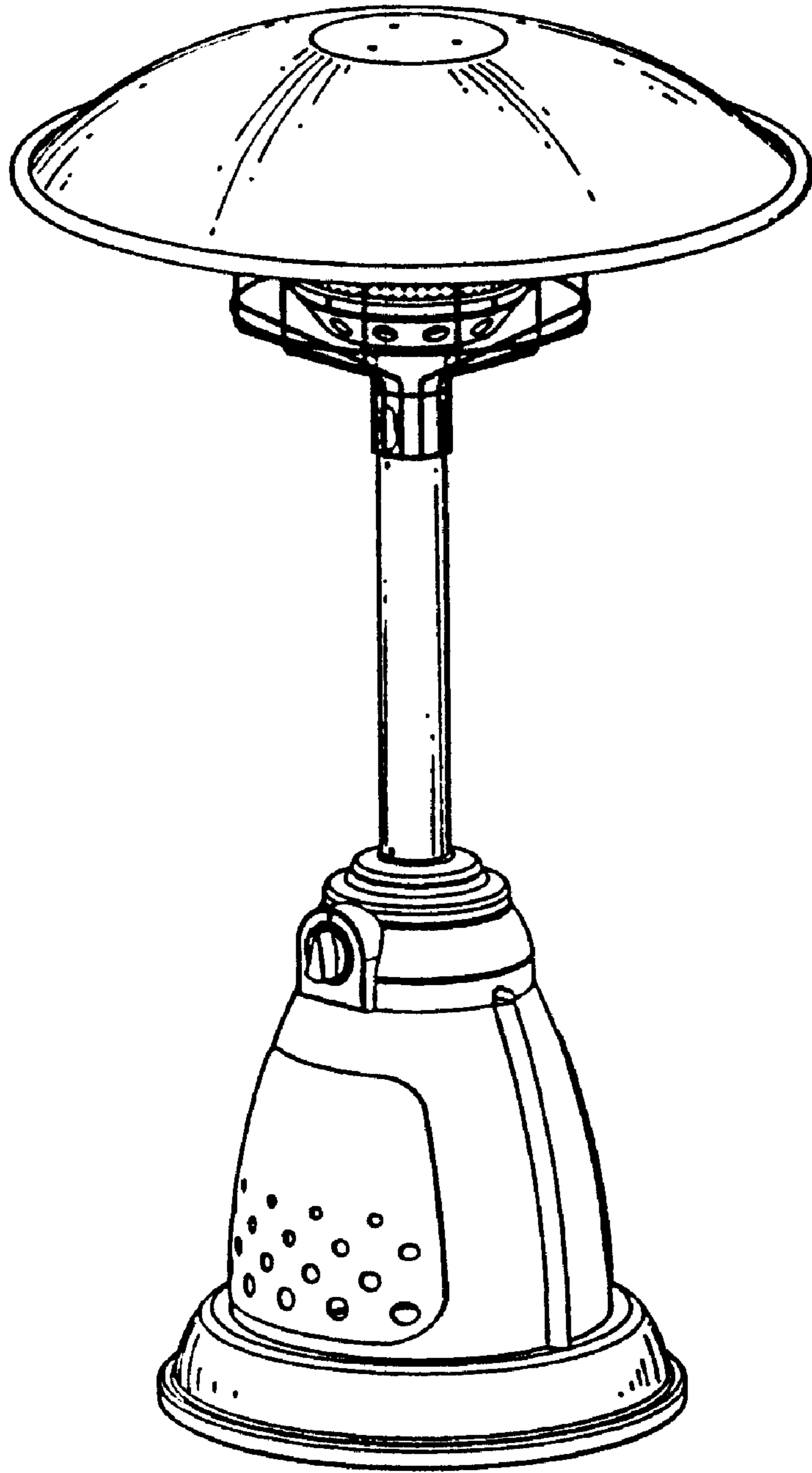


Fig. 1

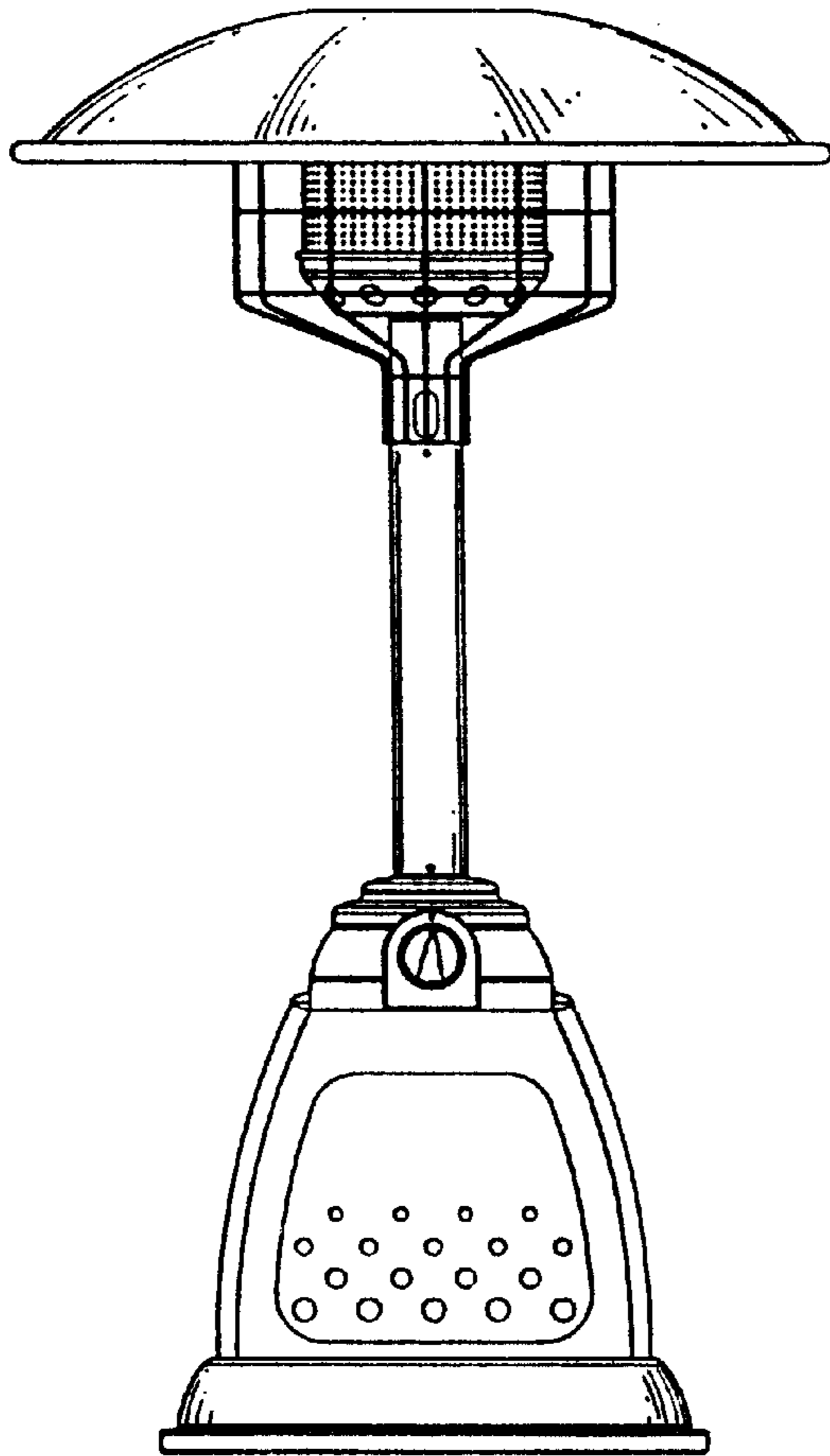


Fig.2

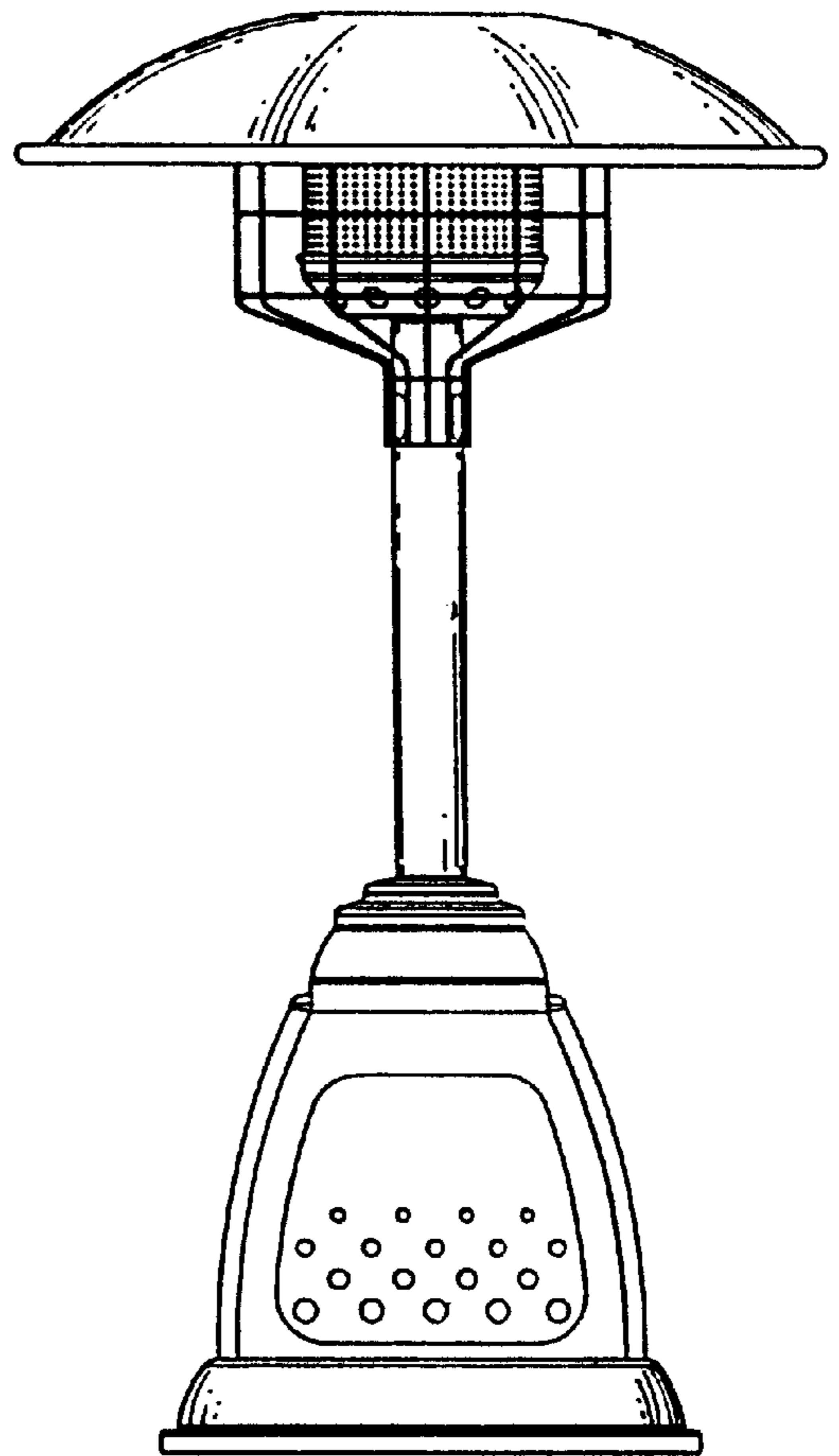


Fig.3

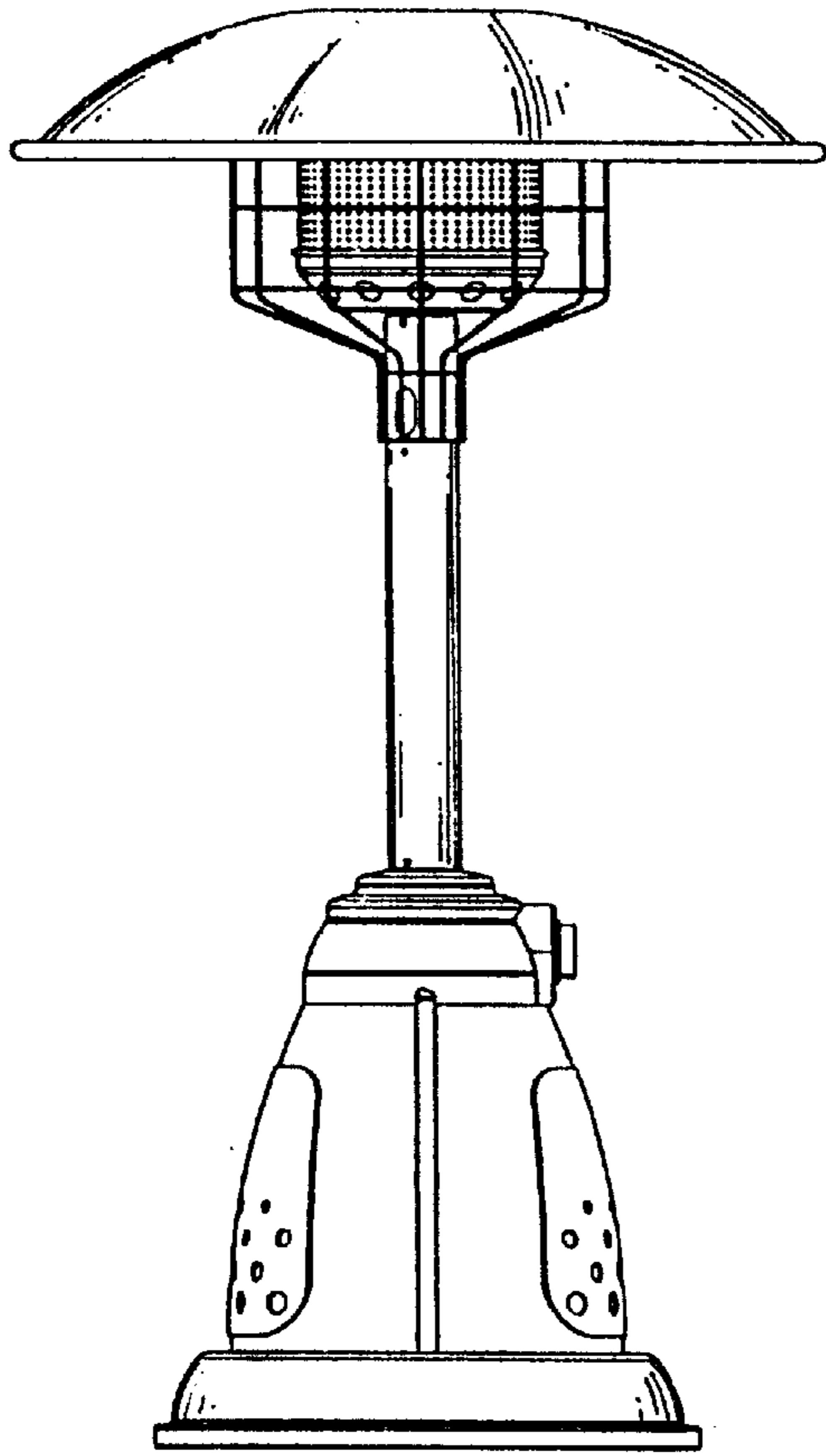


Fig.4

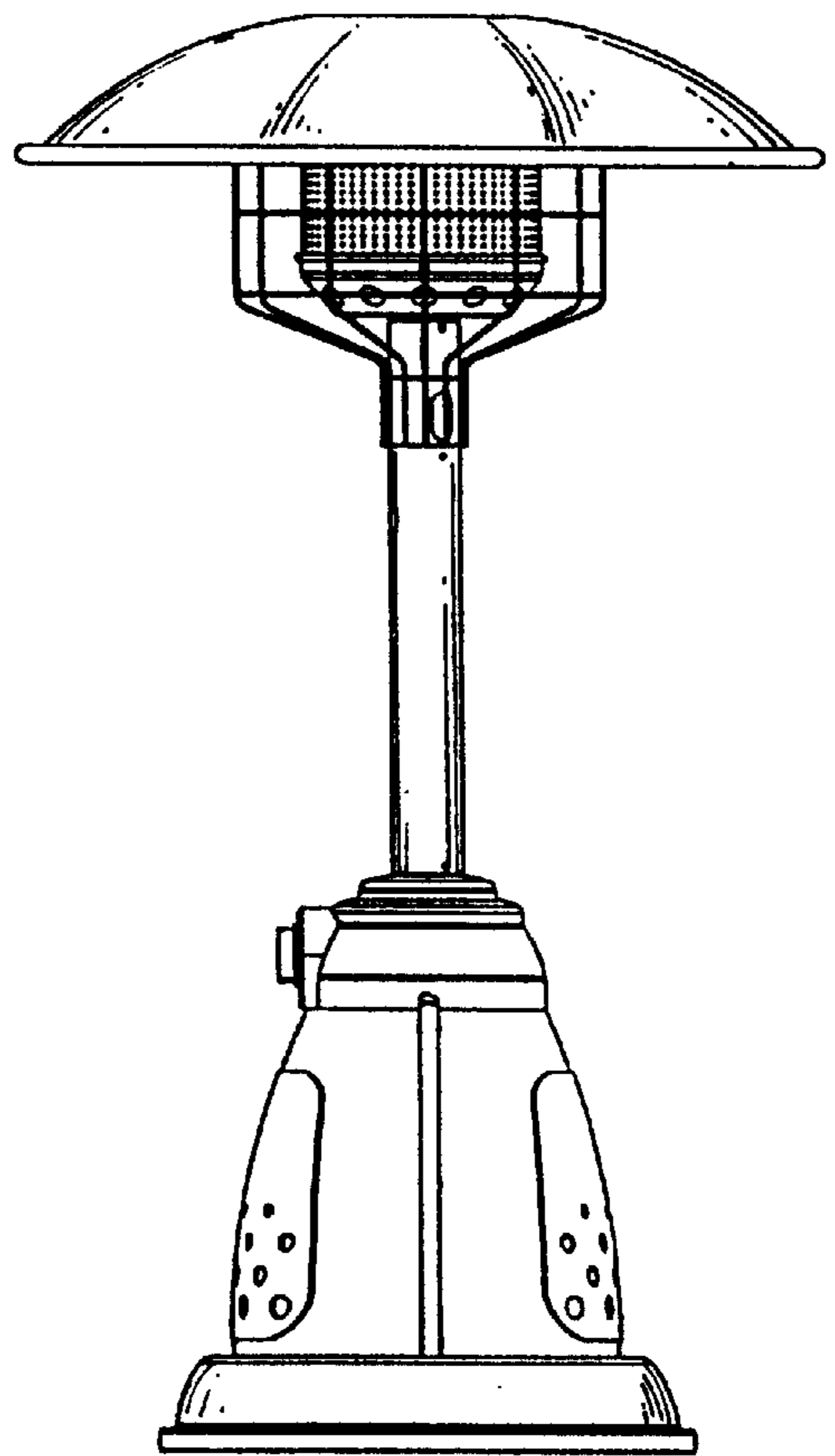


Fig.5

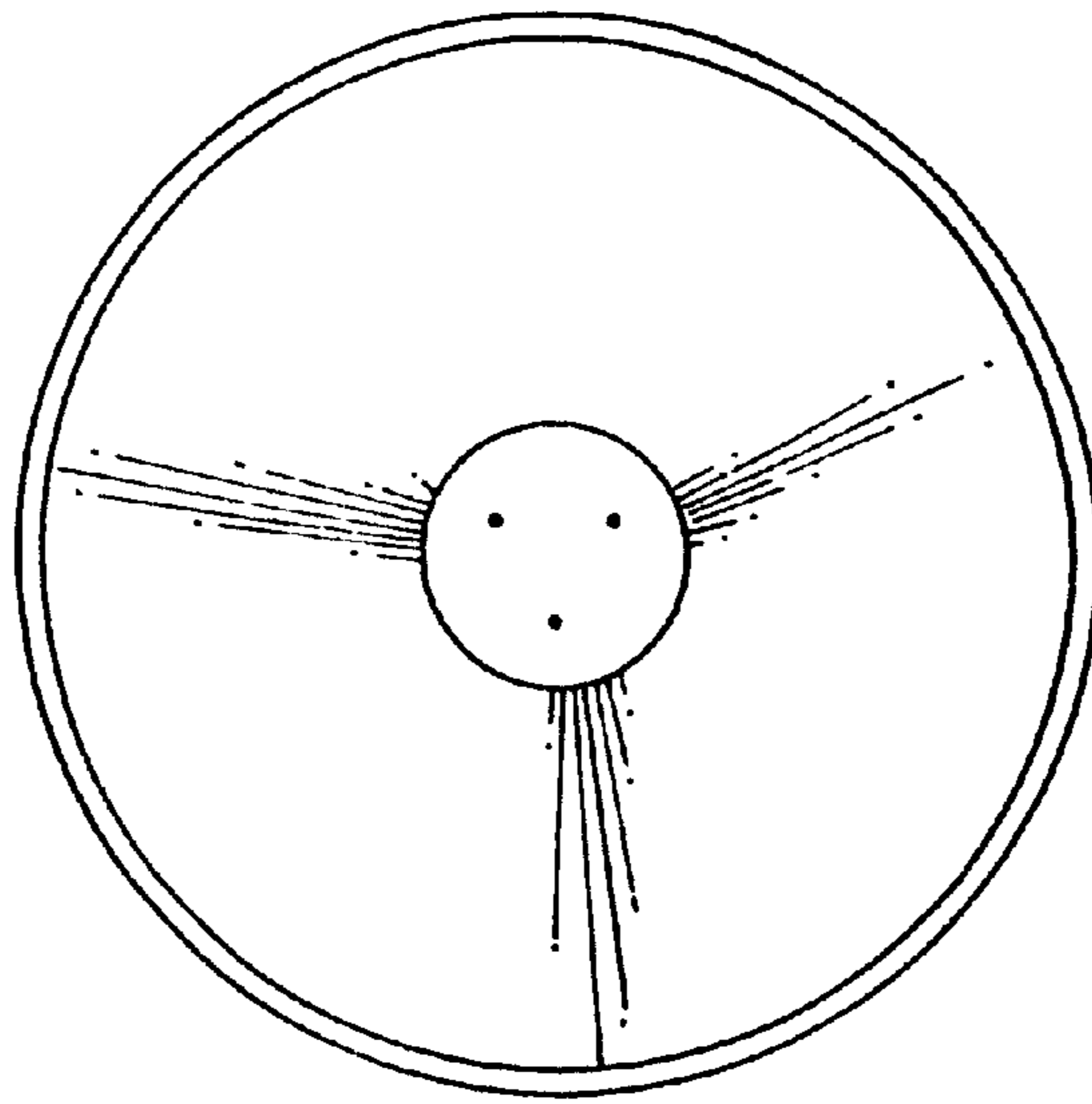


Fig.6

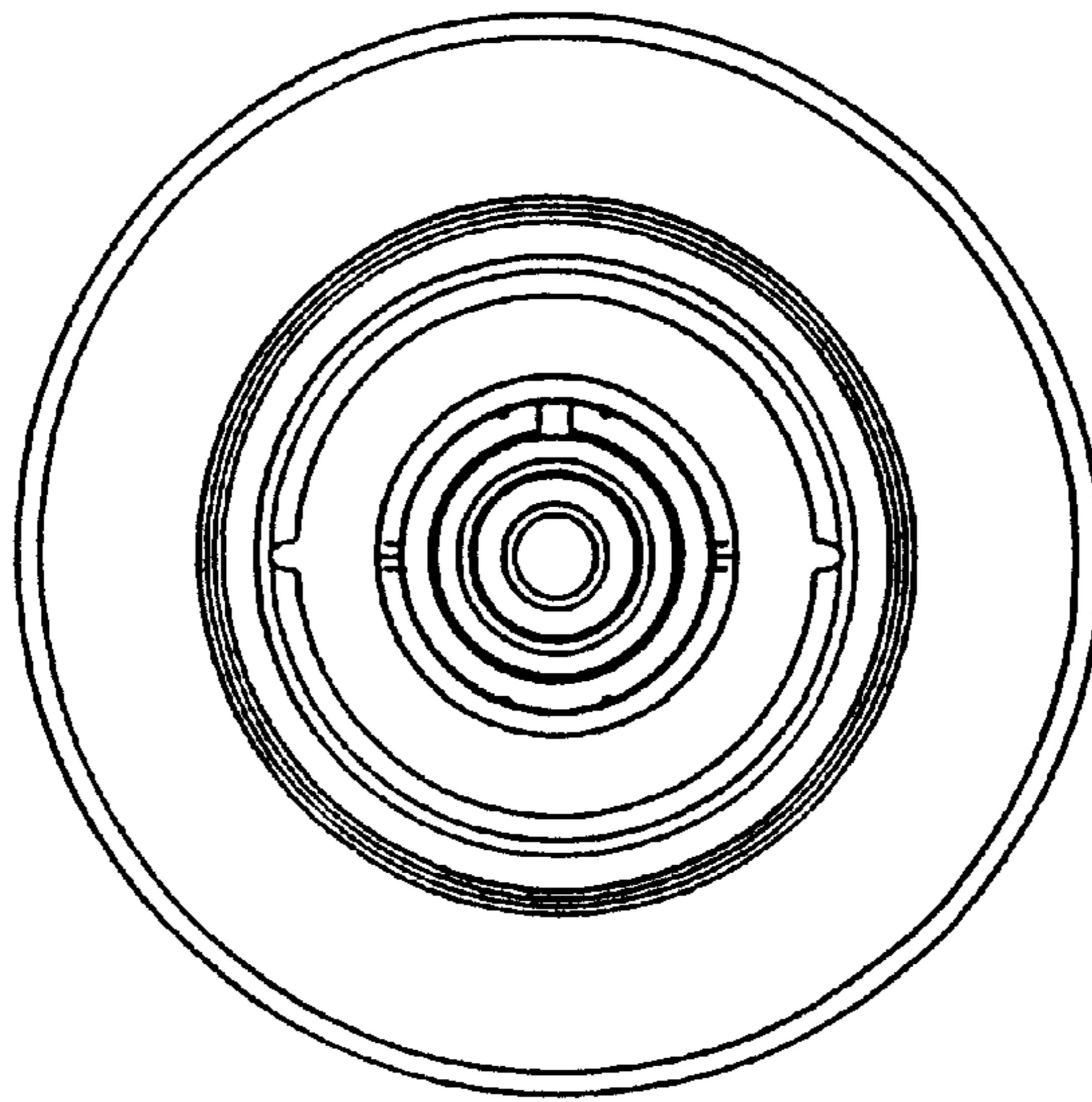


Fig.7