



US00D470230S

(12) **United States Design Patent**  
**Jones**

(10) **Patent No.:** **US D470,230 S**

(45) **Date of Patent:** **\*\* Feb. 11, 2003**

(54) **PORTABLE TOILET WITH CARRYING CASE AND DETACHABLE SHELTER PACK**

(76) **Inventor:** **Nanita A. Jones**, 272 Kennedy St., #34, Chula Vista, CA (US) 91911

(\*\*) **Term:** **14 Years**

(21) **Appl. No.:** **29/135,686**

(22) **Filed:** **Jan. 17, 2001**

(51) **LOC (7) Cl.** ..... **23-02**

(52) **U.S. Cl.** ..... **D23/299**

(58) **Field of Search** ..... D23/270-272, D23/295-299, 303, 309-313; 4/667, 300, 300.1, 312, 449, 460, 479-483, 902, DIG. 15; D6/353, 368; D3/272, 273

(56) **References Cited**

**U.S. PATENT DOCUMENTS**

577,136	A	*	2/1897	Honeywell	.....	D23/299	X
D81,952	S	*	9/1930	Arthur	.....	D23/296	
2,431,538	A	*	11/1947	Brief et al.	.....	D23/296	X
D165,907	S	*	2/1952	Chehak	.....	D6/368	
D274,104	S	*	6/1984	Bockus	.....	D6/368	X
4,513,923	A	*	4/1985	Ulics	.....	4/300.1	X
D309,214	S	*	7/1990	Haugland	.....	D3/272	X
D323,881	S	*	2/1992	Franey	.....	D23/299	
D369,240	S	*	4/1996	Newby Sr.	.....	D3/273	X
D397,426	S	*	8/1998	Woods	.....	D23/299	
6,098,215	A	*	8/2000	Goodwin	.....	4/667	

**FOREIGN PATENT DOCUMENTS**

CA 469478 \* 11/1950 ..... D23/296

\* cited by examiner

*Primary Examiner*—Louis S. Zarfaz  
*Assistant Examiner*—Robert A. Delehanty  
(74) *Attorney, Agent, or Firm*—Richard D. Clarke

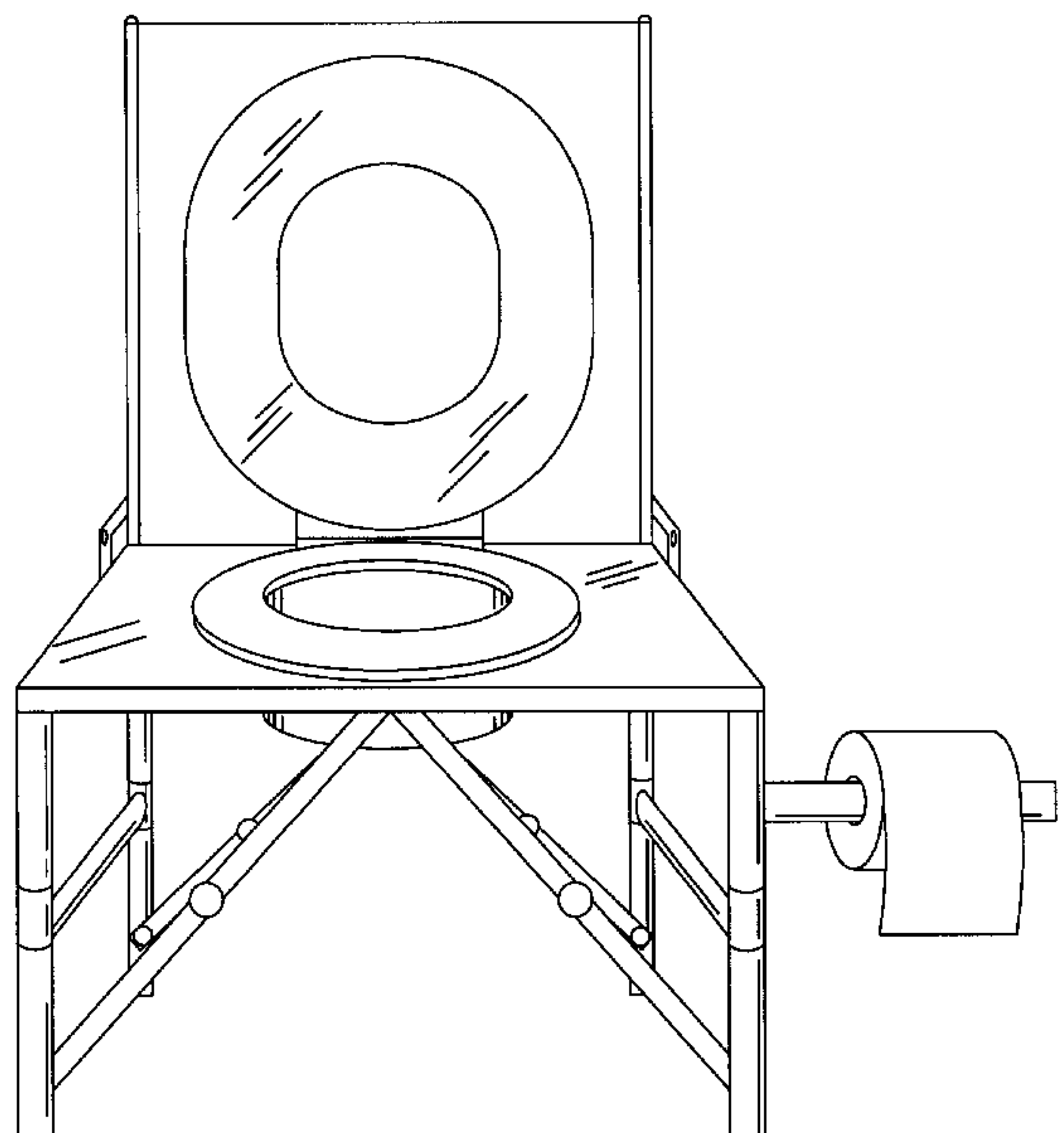
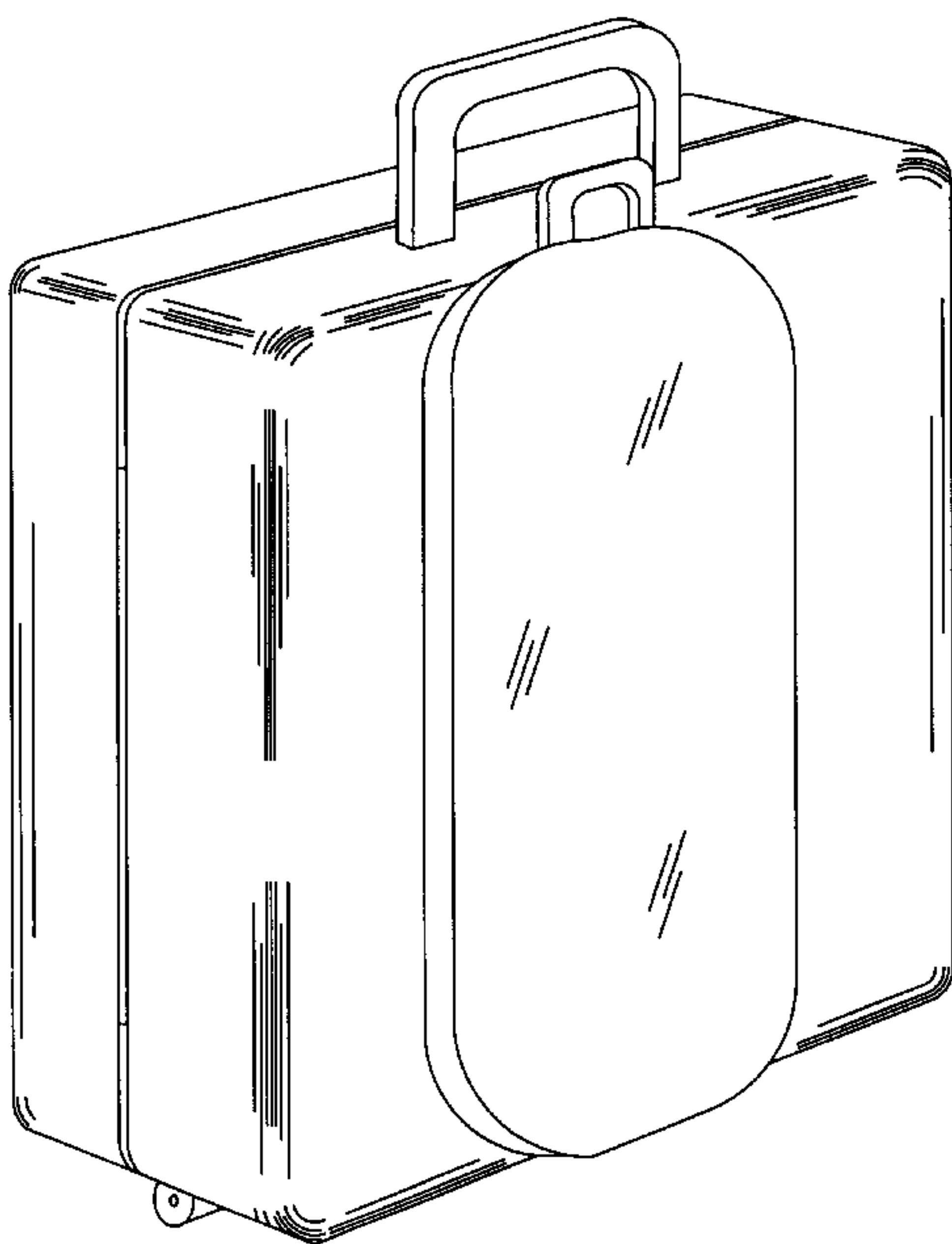
(57) **CLAIM**

I claim the design for a portable toilet with carrying case and detachable shelter pack, as shown and described.

**DESCRIPTION**

FIG. 1 is a front perspective view of the carrying case and detachable shelter pack showing my new design;  
 FIG. 2 is a top view on a reduced scale of the carrying case in an open position shown separately for clarity of illustration;  
 FIG. 3 is a front elevational view on a reduced scale of the carrying case in an open position shown separately for clarity of illustration;  
 FIG. 4 is a side elevational view shown on a reduced scale of the carrying case in an open position and shelter pack before attachment to carrying case, the opposite side being a mirror image thereof;  
 FIG. 5 is a rear elevational view on a reduced scale of the shelter pack shown separately for clarity of illustration;  
 FIG. 6 is a rear elevational view of the carrying case showing the contents of the portable toilet and one additional toilet tissue roll in an unassembled condition;  
 FIG. 7 is a front perspective view on an enlarged scale of the assembled portable toilet;  
 FIG. 8 is a side elevational view on an enlarged scale of the assembled portable toilet the opposite side being a mirror image thereof; and,  
 FIG. 9 is a rear elevational view on an enlarged scale of the assembled portable toilet.

**1 Claim, 6 Drawing Sheets**



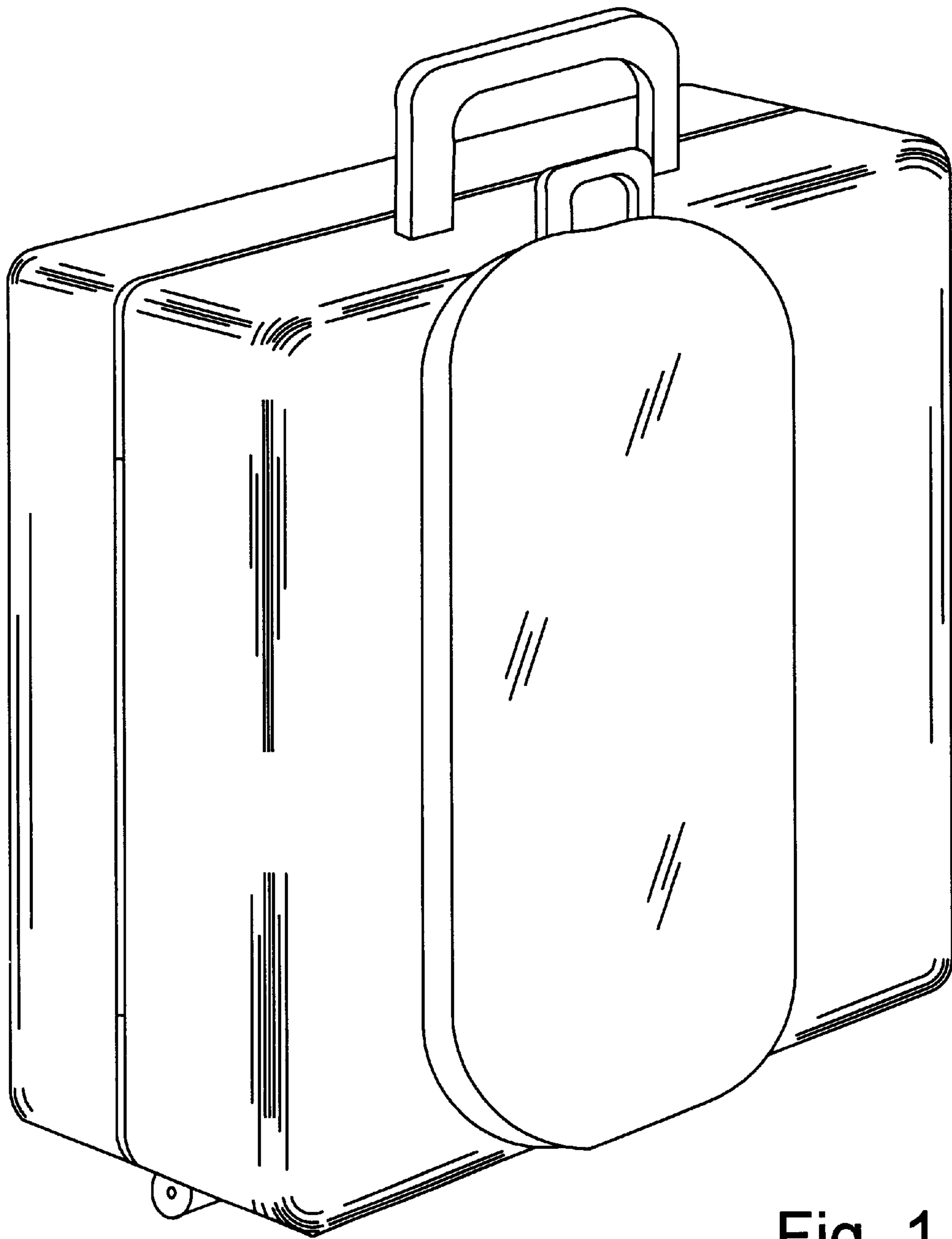


Fig. 1

Fig. 2

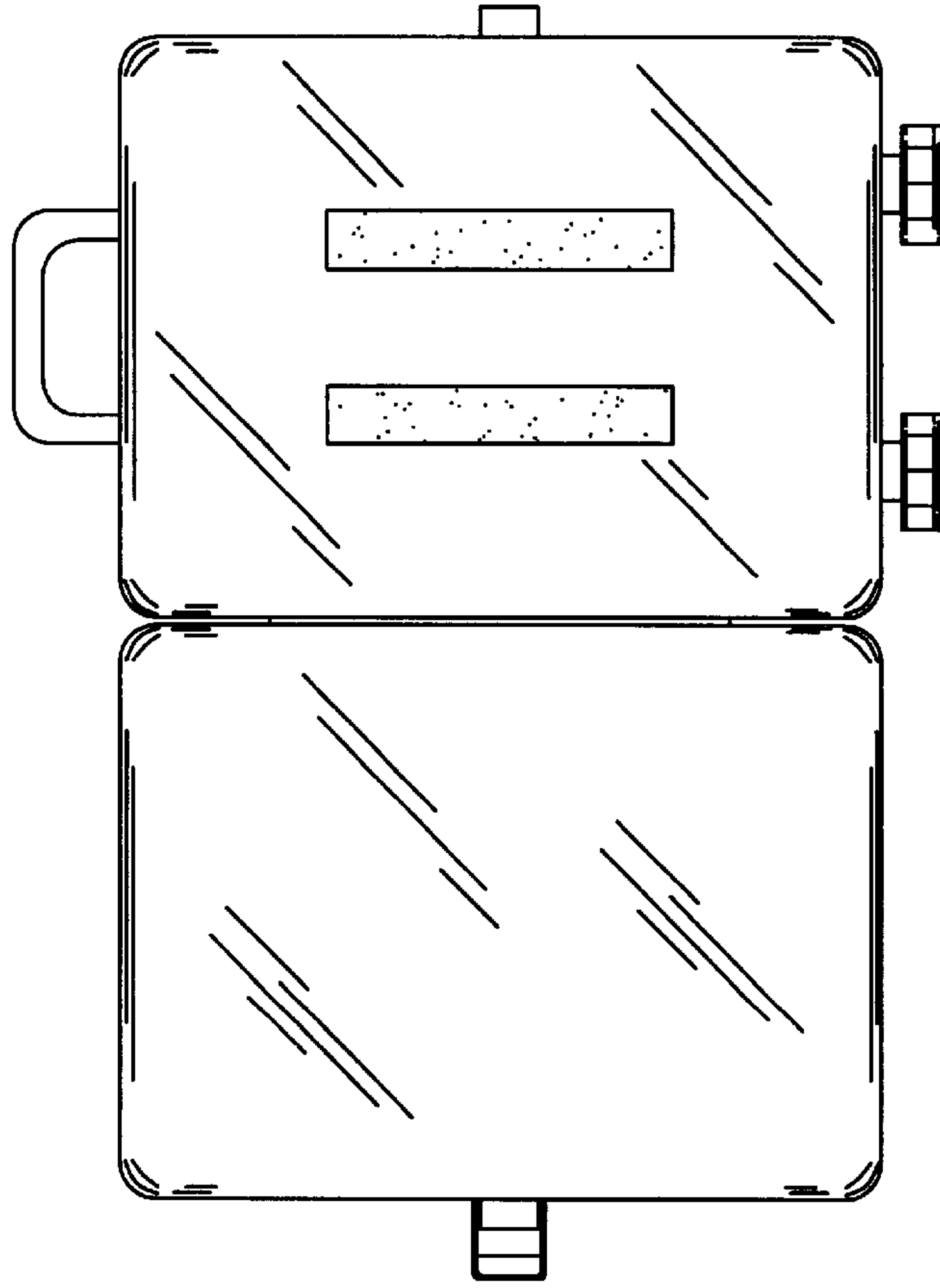
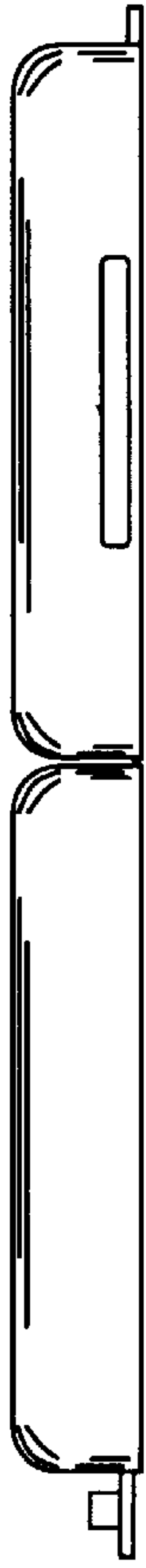


Fig. 3

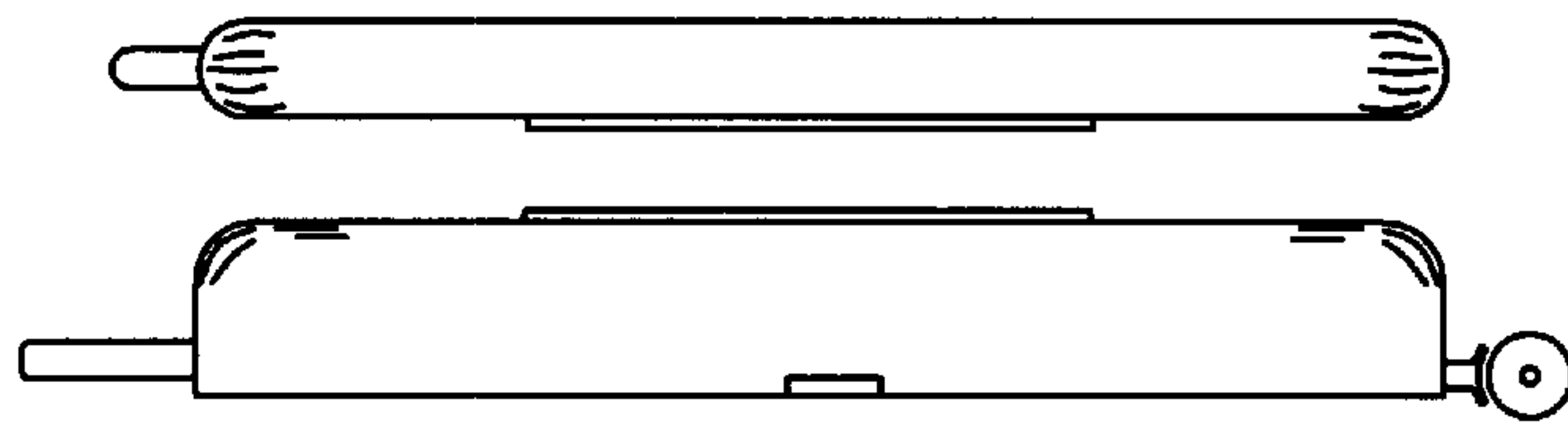


Fig. 4

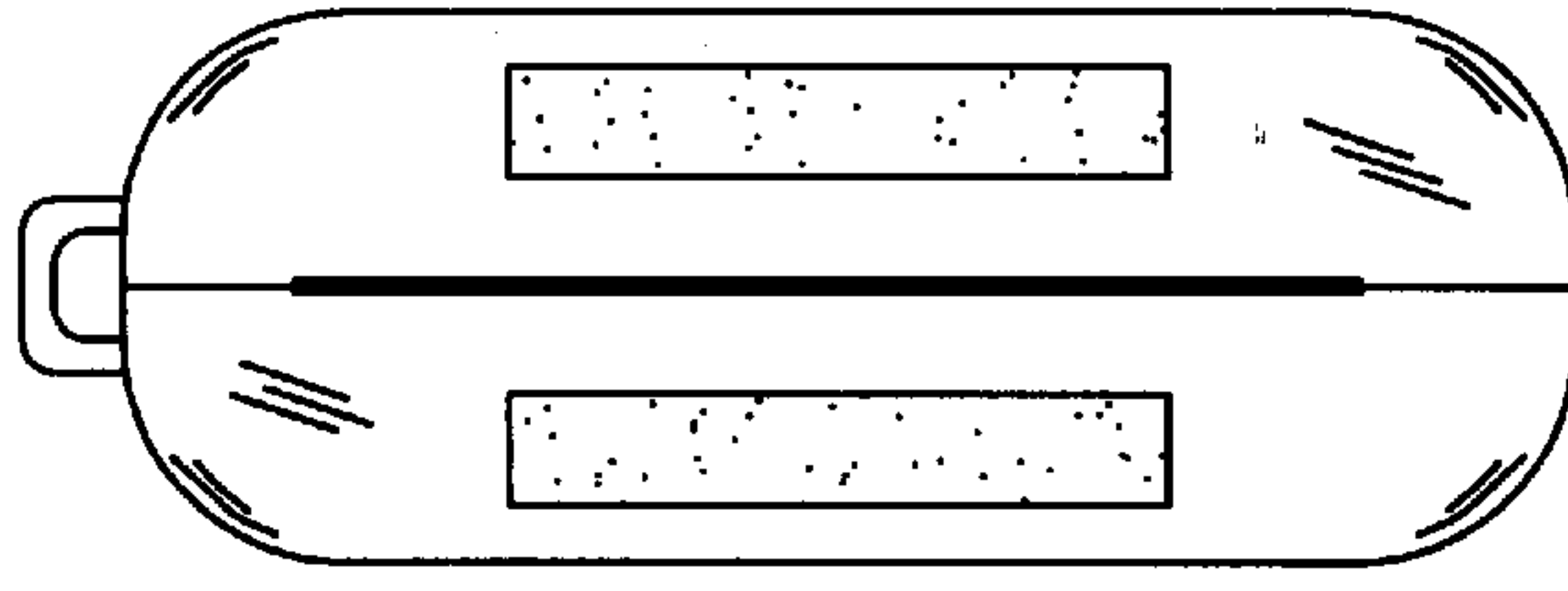


Fig. 5

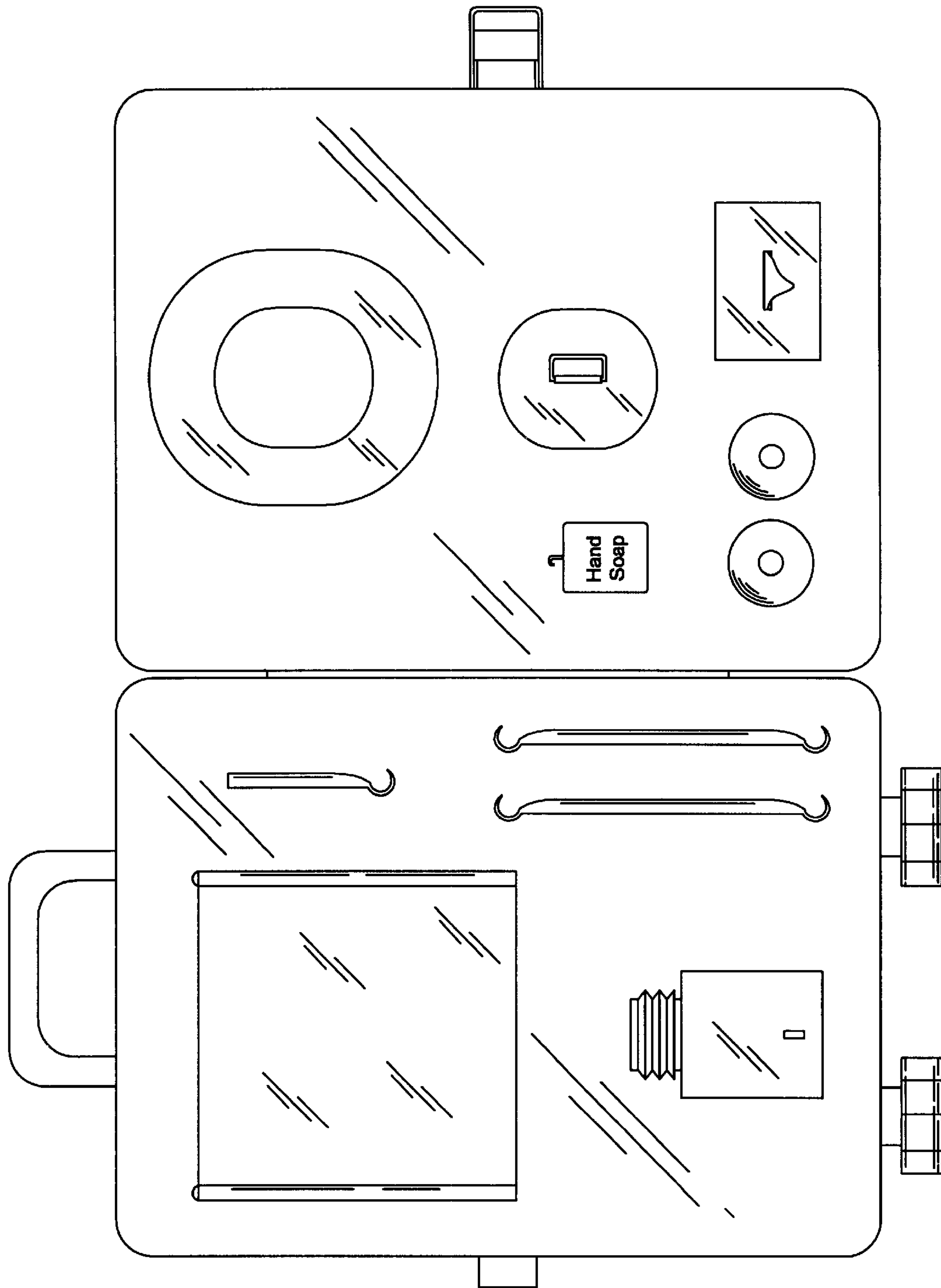


Fig. 6

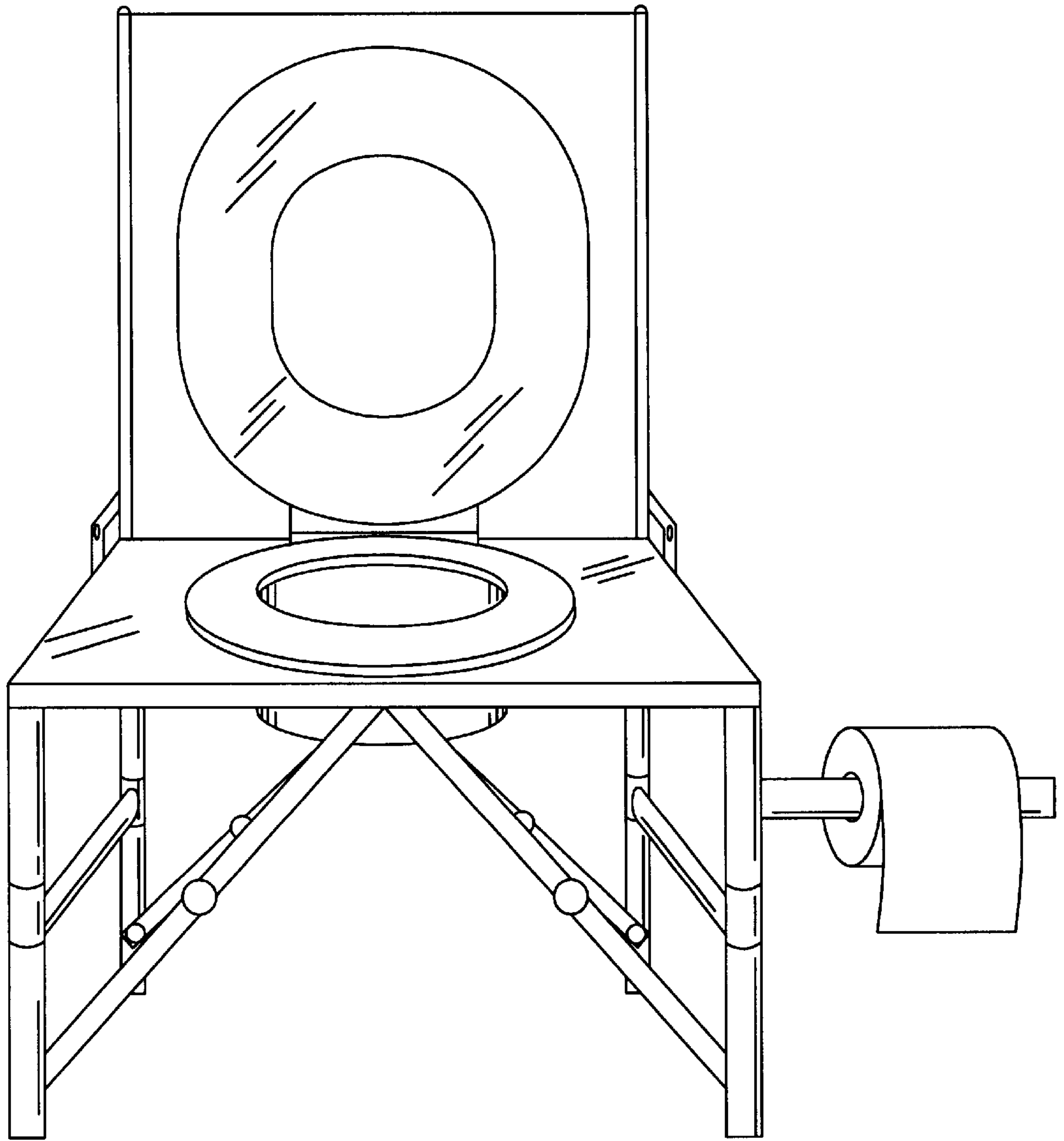


Fig. 7

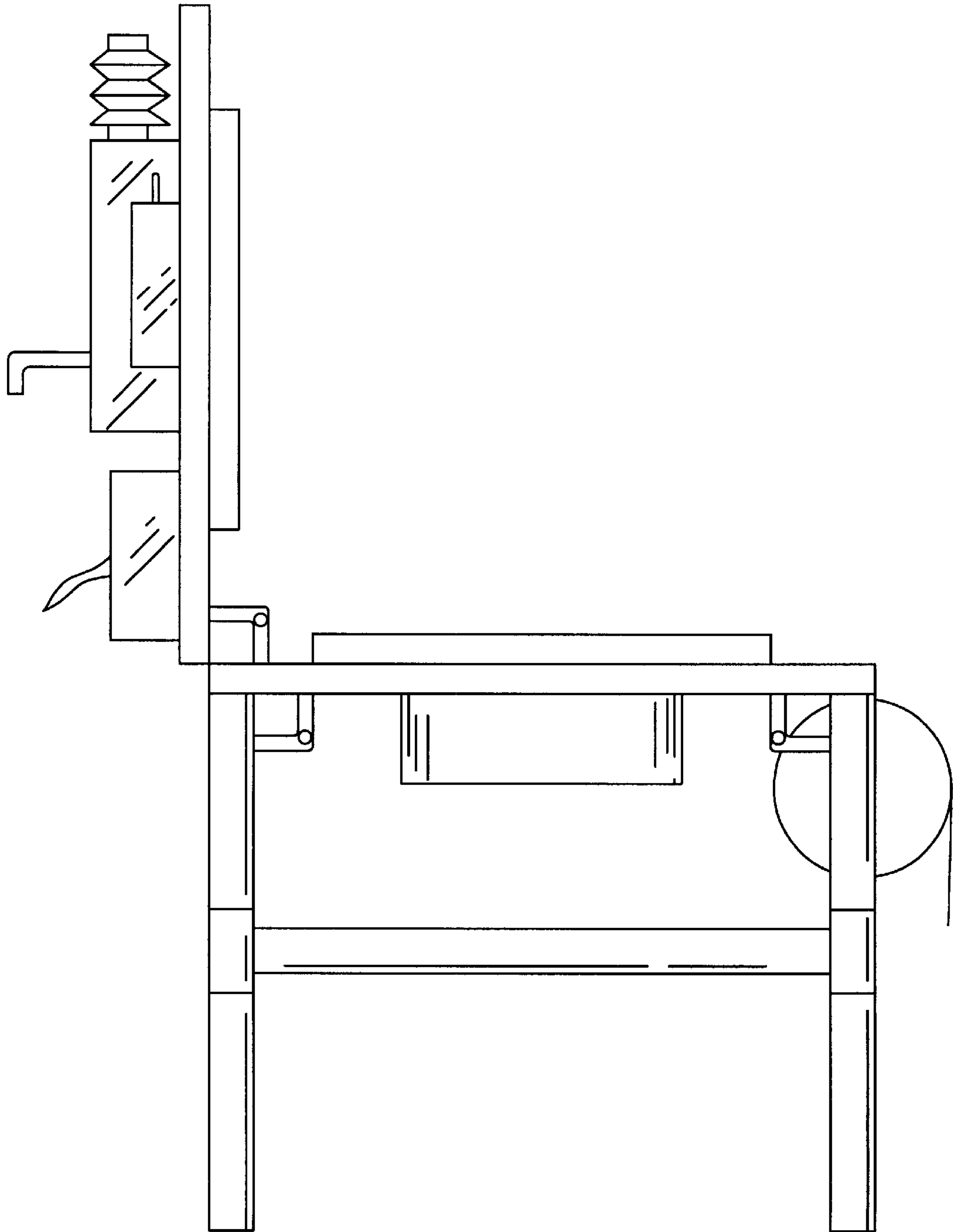


Fig. 8



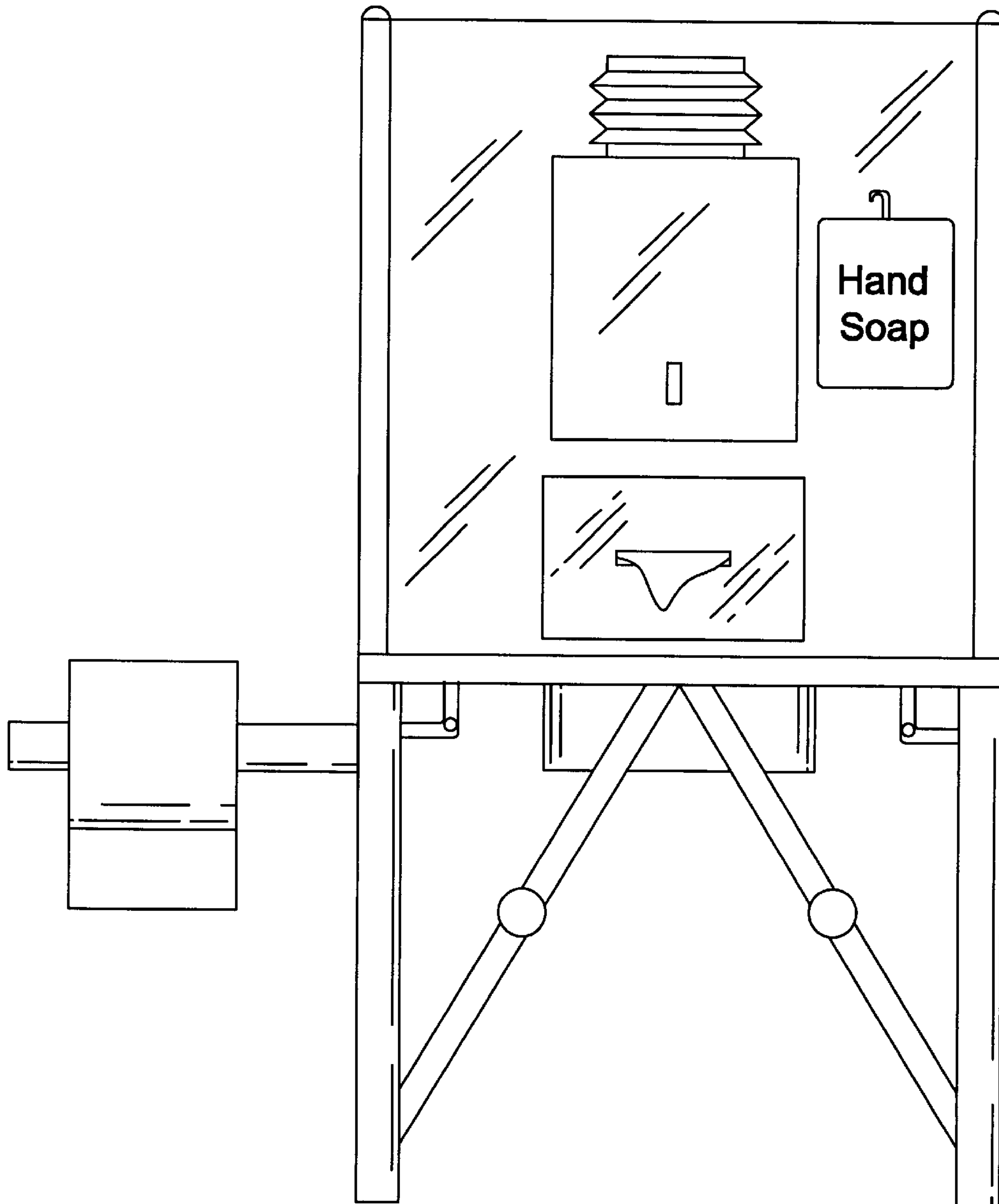


Fig. 9