



US00D470228S

(12) **United States Design Patent**
Wheeler, III

(10) **Patent No.:** **US D470,228 S**

(45) **Date of Patent:** **** Feb. 11, 2003**

(54) **LAVATORY AND TOILET COMBINATION**

(75) **Inventor:** **Robert L. Wheeler, III**, Monrovia, CA (US)

(73) **Assignee:** **Acorn Engineering Co.**, City of Industry, CA (US)

(**) **Term:** **14 Years**

(21) **Appl. No.:** **29/154,112**

(22) **Filed:** **May 17, 2002**

Related U.S. Application Data

(62) Division of application No. 29/145,046, filed on Jul. 16, 2001, now Pat. No. Des. 459,446.

(51) **LOC (7) Cl.** **23-02**

(52) **U.S. Cl.** **D23/274**

(58) **Field of Search** D23/270-271,
D23/273, 284, 286-289, 291, 303, 308;
4/619, 621-627, 630-646, 650-654, 656,
658-661

(56) **References Cited**

U.S. PATENT DOCUMENTS

D190,795 S	*	7/1961	Rancorn	D23/275
D197,946 S		4/1964	Tiller	D23/274
3,436,764 A		4/1969	Colonna		
3,780,383 A		12/1973	Katona		
3,829,906 A		8/1974	McPhee		

D331,621 S	12/1992	Tapolcai	D23/274
D394,495 S	5/1998	Hauser II	D23/274
D424,176 S	5/2000	Wheeler, III	D23/273
6,158,060 A	12/2000	Wheeler		

OTHER PUBLICATIONS

American Standard Product Selector & Pricing Guide Fixtures Only LP-93-1: Ashmont and Acclivity sink, Jan. 1993.*

* cited by examiner

Primary Examiner—Louis S. Zarfes

Assistant Examiner—Robert A. Delehanty

(74) *Attorney, Agent, or Firm*—Edgar W. Averill, Jr.

(57) **CLAIM**

The ornamental design for a lavatory and toilet combination, as shown and described.

DESCRIPTION

FIG. 1 is a perspective view showing the front, top and left side of the lavatory and toilet combination unit showing my new design.

FIG. 2 is a perspective view identical to FIG. 1, except showing the toilet seat in a raised position.

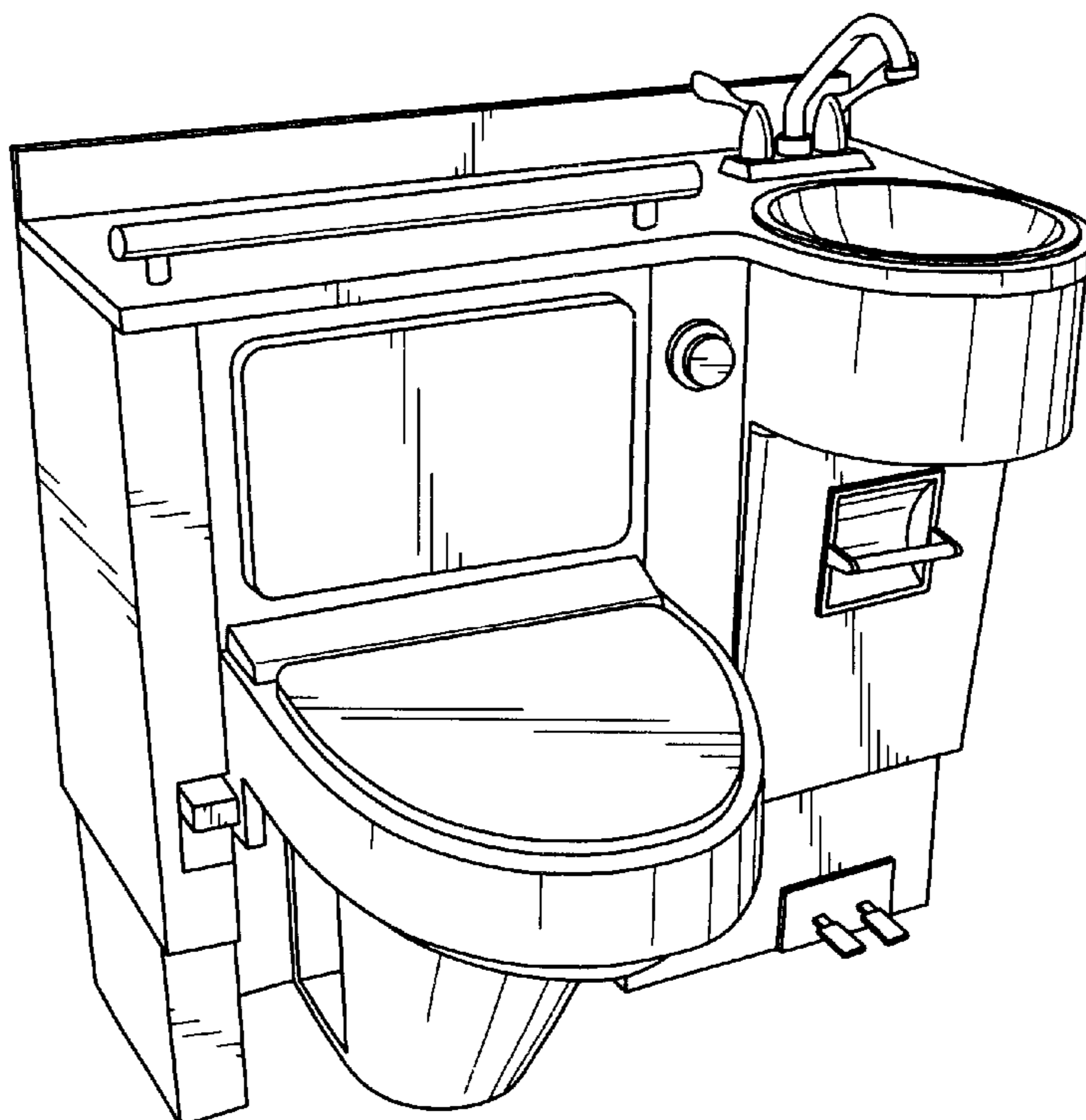
FIG. 3 is a top view of the combination unit of FIG. 1.

FIG. 4 is a front view of the combination unit of FIG. 1.

FIG. 5 is a right side view of the combination unit of FIG. 1; and,

FIG. 6 is a left side view of the combination unit of FIG. 1.

1 Claim, 3 Drawing Sheets



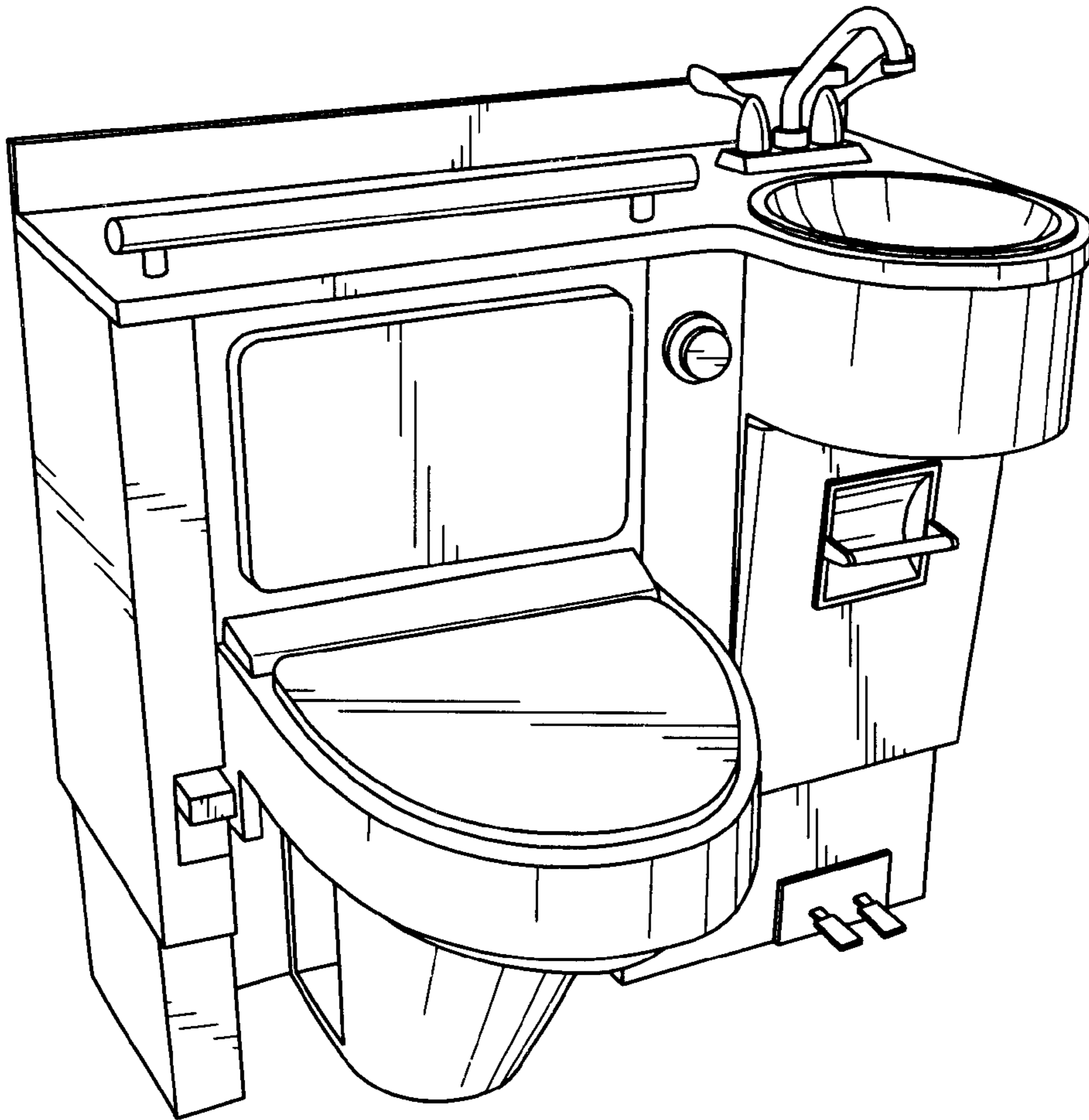


FIG. 1

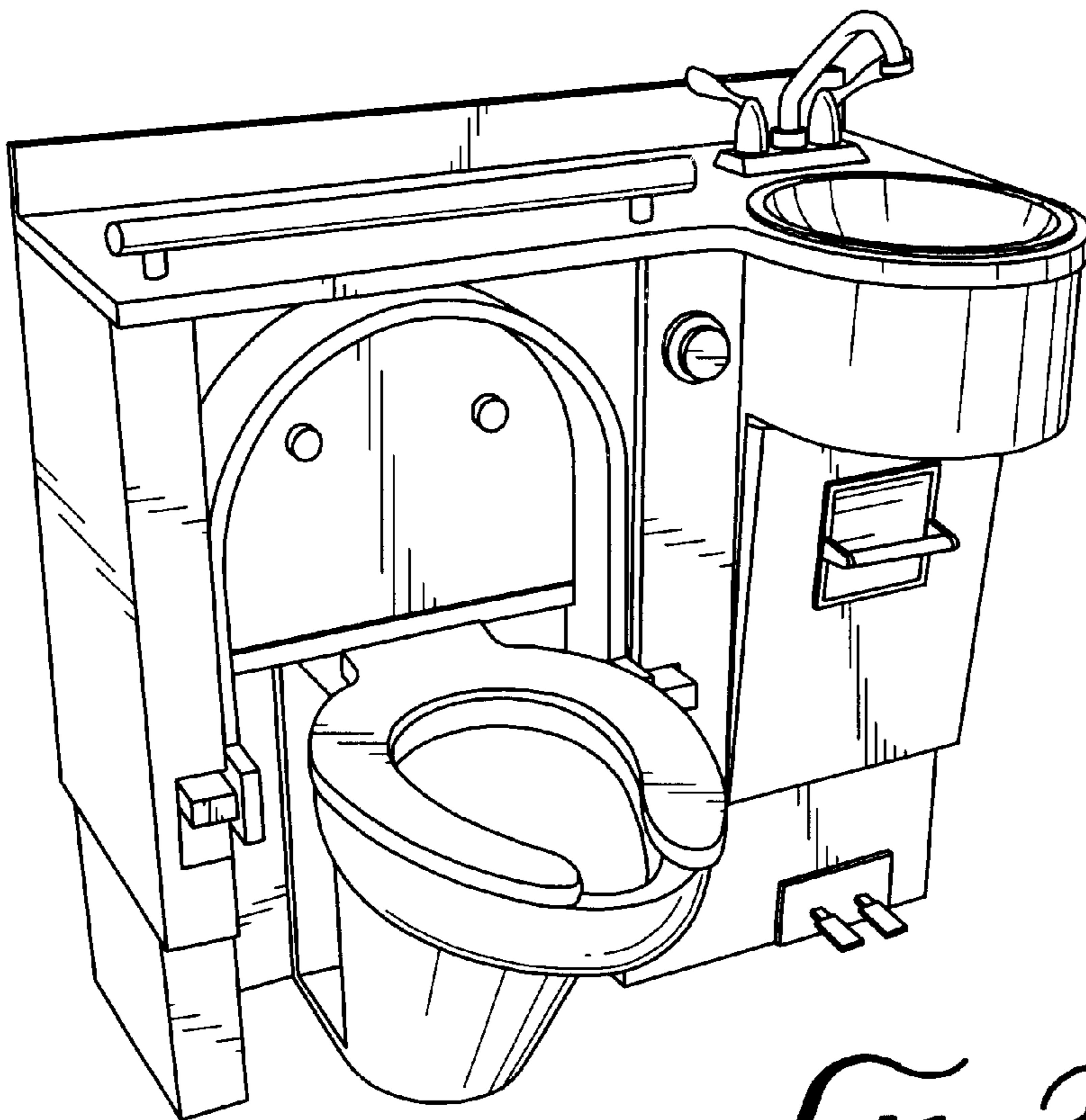


FIG. 2

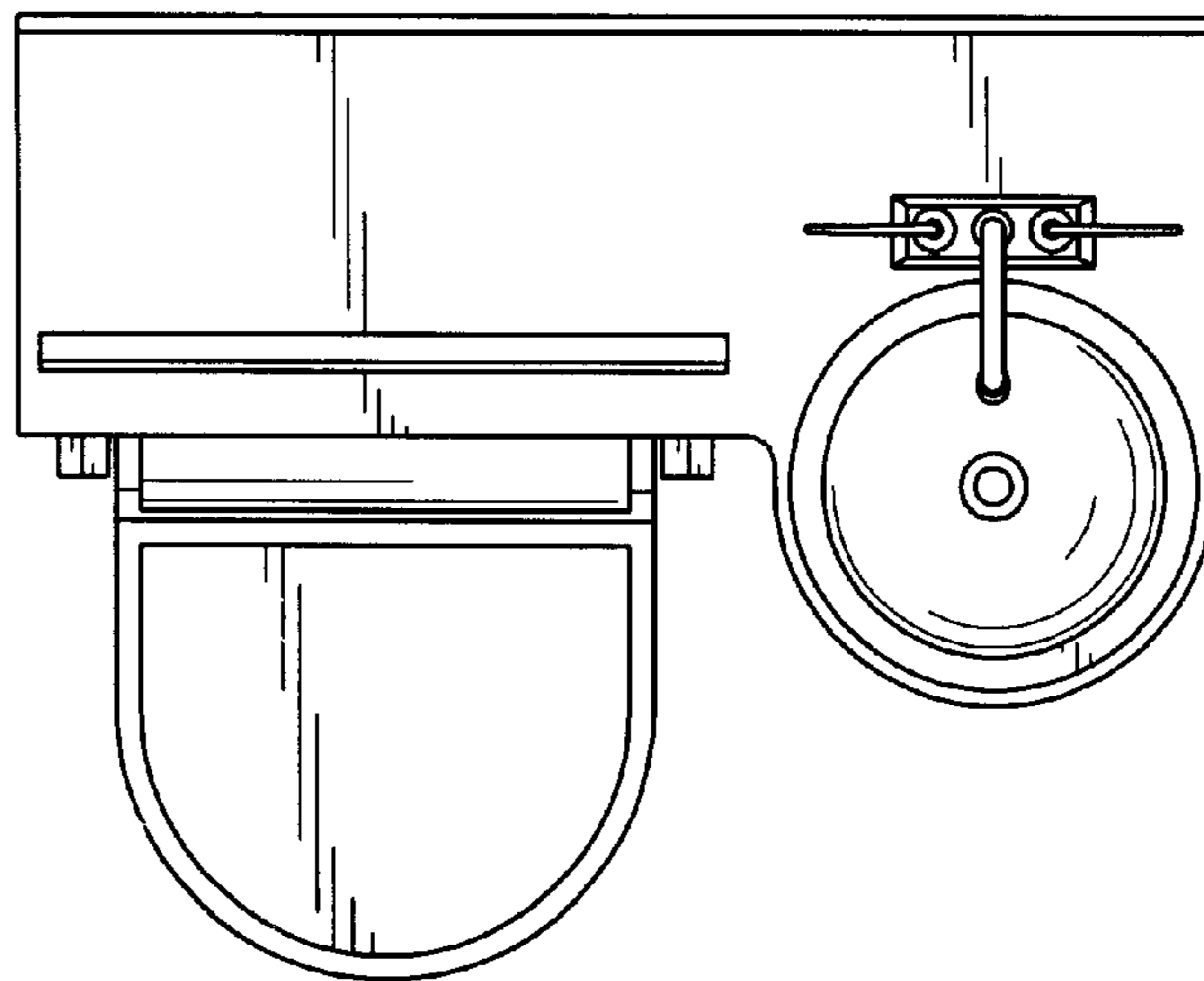


FIG. 3

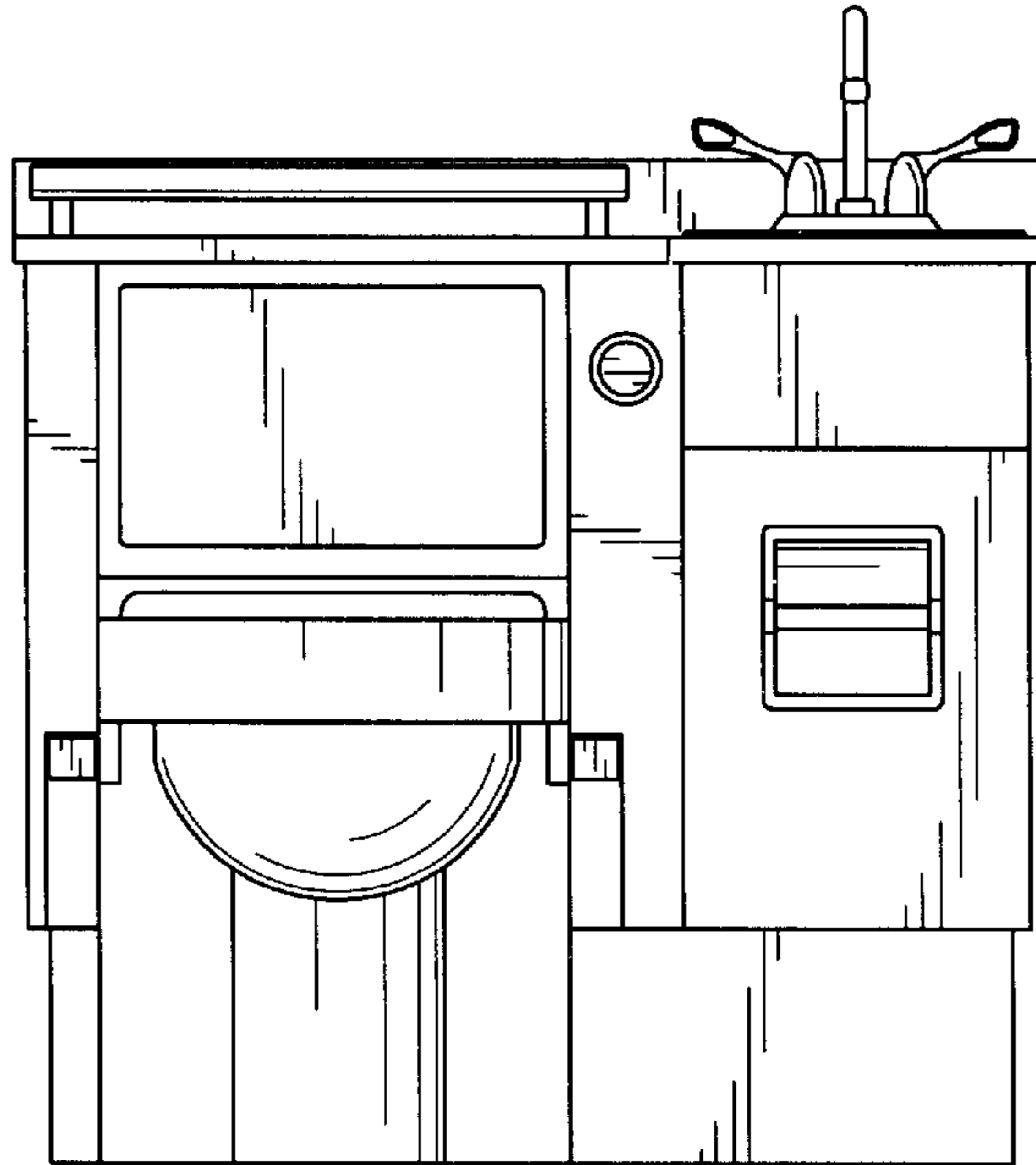


FIG. 4

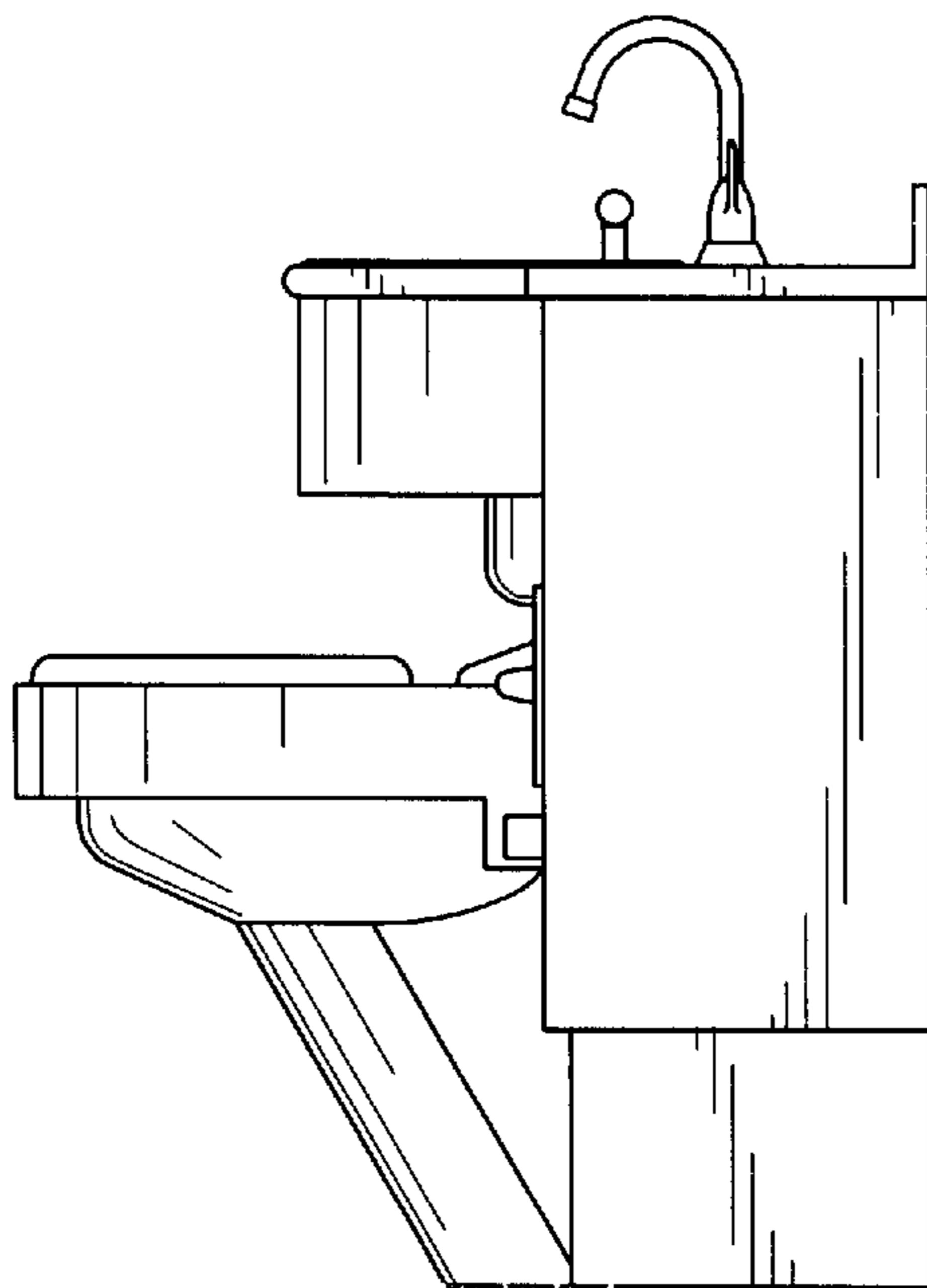


FIG. 5

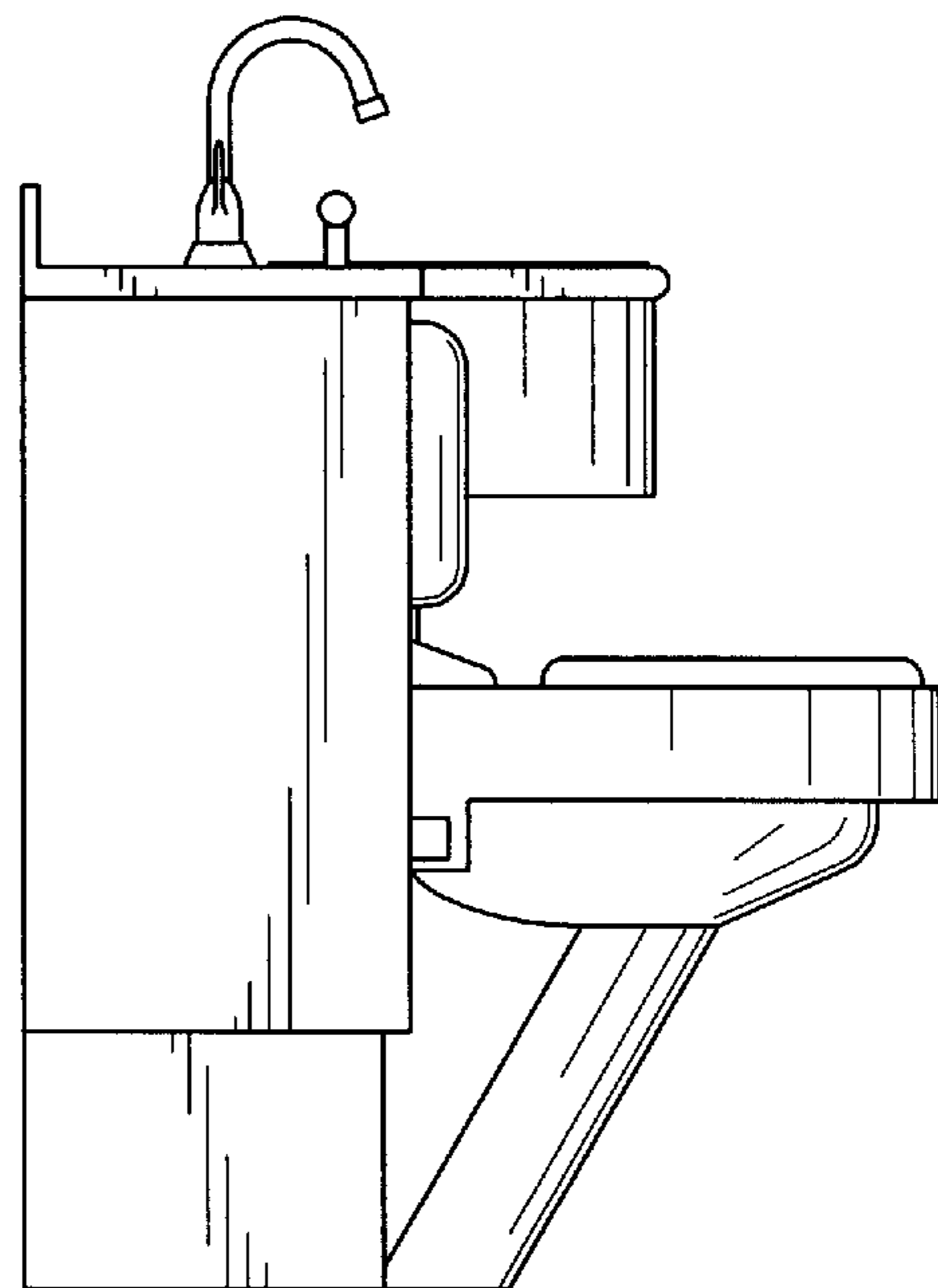


FIG. 6