



US00D470226S

(12) **United States Design Patent**  
**Herbert**

(10) **Patent No.:** **US D470,226 S**

(45) **Date of Patent:** **\*\* Feb. 11, 2003**

- (54) **VALVE DIAPHRAGM**
- (75) Inventor: **Kay Herbert**, Winthrop, MA (US)
- (73) Assignee: **Arichell Technologies, Inc.**, West Newton, MA (US)
- (\*\*) Term: **14 Years**
- (21) Appl. No.: **29/162,634**
- (22) Filed: **Jun. 19, 2002**
- (51) **LOC (7) Cl.** ..... **23-01**
- (52) **U.S. Cl.** ..... **D23/249**
- (58) **Field of Search** ..... D23/249, 248;  
251/129.17, 129.21, 129.16; 335/257

- 3,245,651 A \* 4/1966 Erickson ..... 251/129.17
- D268,048 S \* 2/1983 Ueda ..... D23/248
- D381,067 S \* 7/1997 Karmalm ..... D23/249
- 5,758,865 A \* 6/1998 Casey ..... 251/129.21
- 5,836,571 A \* 11/1998 Streitman et al. .... 251/331

\* cited by examiner

*Primary Examiner*—Nelson C. Holtje  
(74) *Attorney, Agent, or Firm*—Cesari and McKenna, LLP;  
Joseph H. Born

(57) **CLAIM**

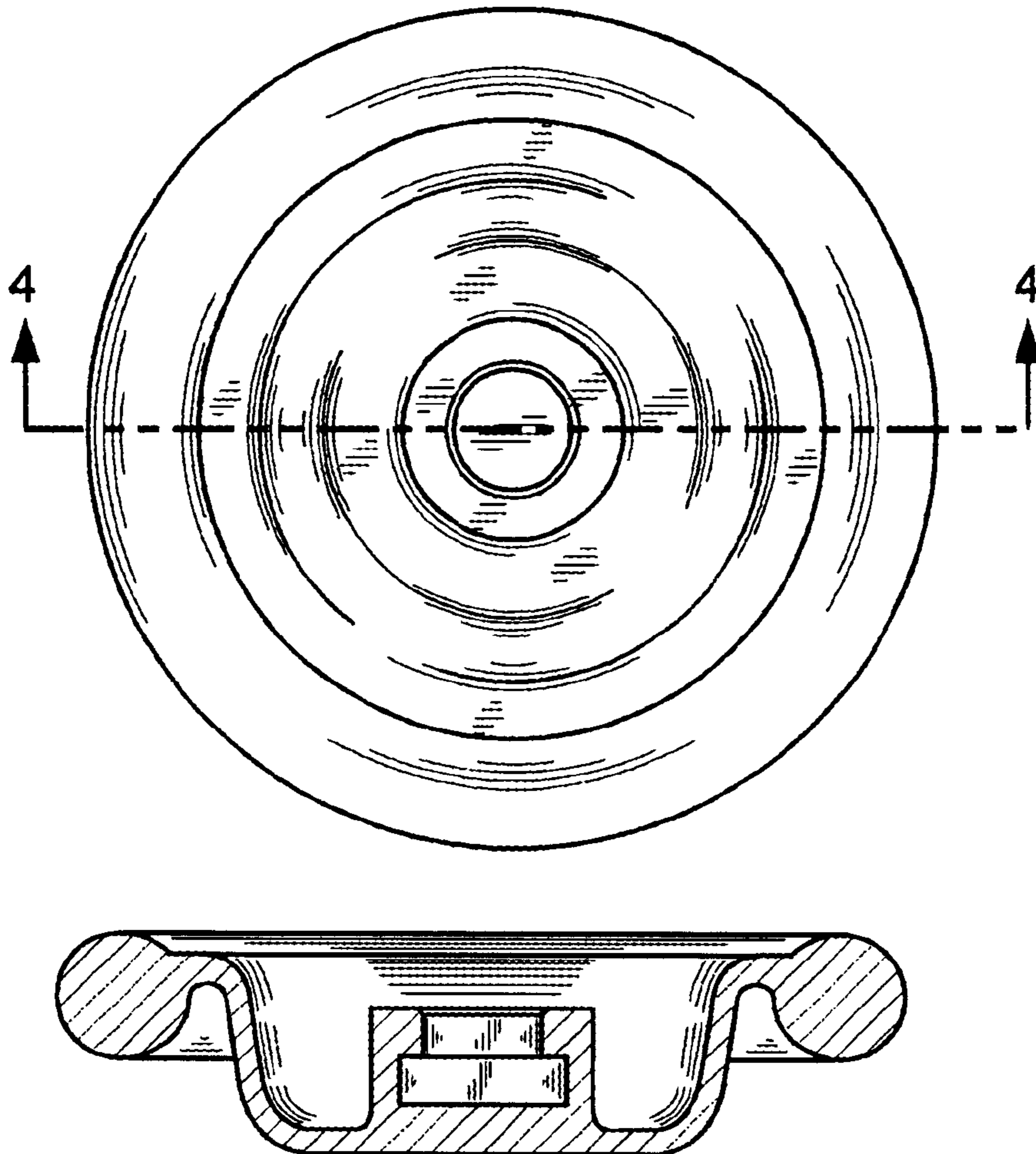
The ornamental design for a valve diaphragm, substantially as shown.

**DESCRIPTION**

FIG. 1 is a top plan view of a valve diaphragm incorporating the design;  
FIG. 2 is a bottom plan view thereof;  
FIG. 3 is a side view thereof; and,  
FIG. 4 is a cross-sectional view as taken from line 4—4 of FIG. 1.

- (56) **References Cited**
- U.S. PATENT DOCUMENTS
- 2,820,604 A \* 1/1958 Ray ..... 251/129.17 X
- 3,123,336 A \* 3/1964 Price ..... 251/331
- 3,134,932 A \* 5/1964 Ray ..... 335/257
- 3,181,990 A \* 5/1965 Reiling ..... 251/331 X

**1 Claim, 1 Drawing Sheet**



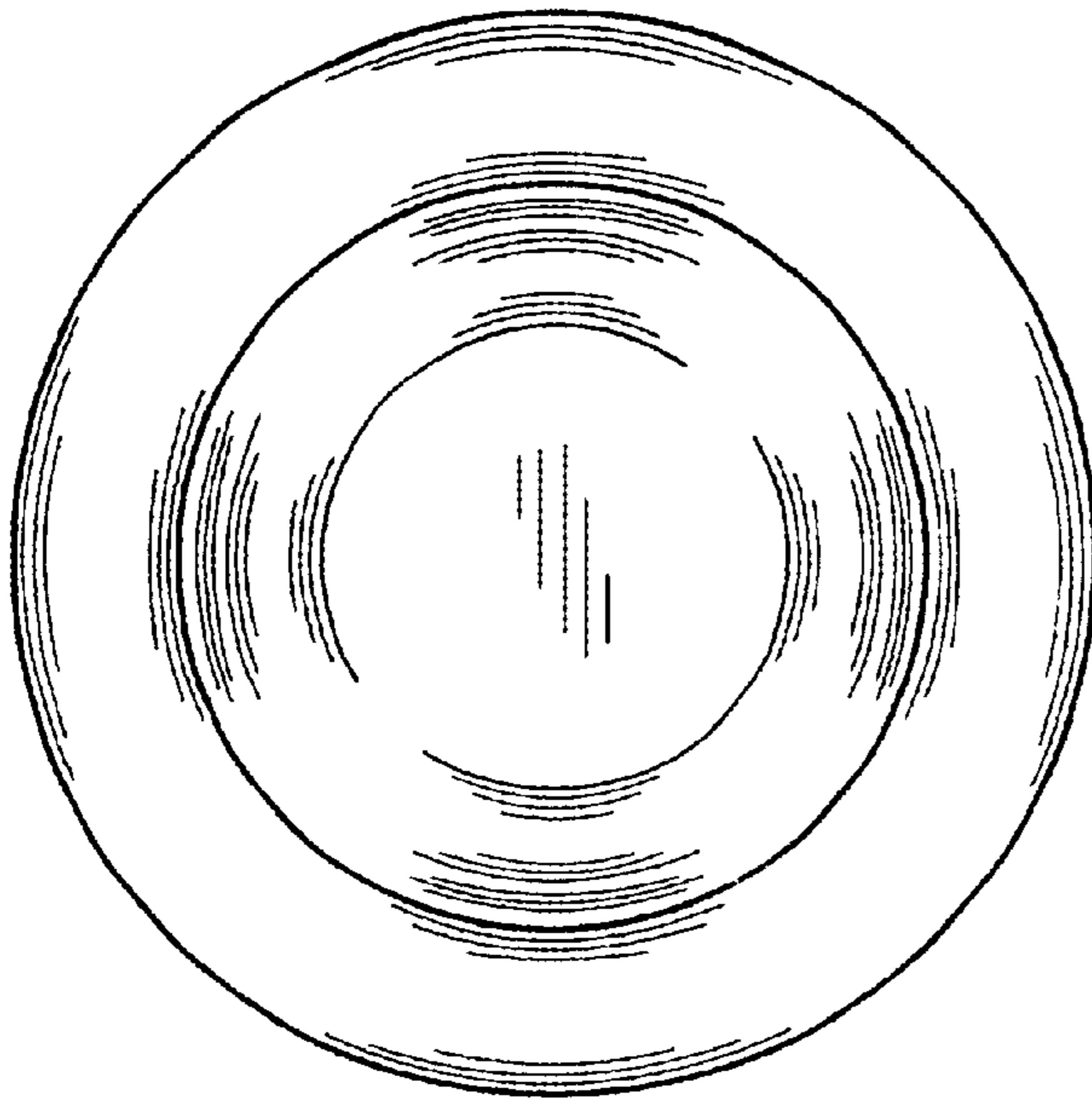


FIG. 2

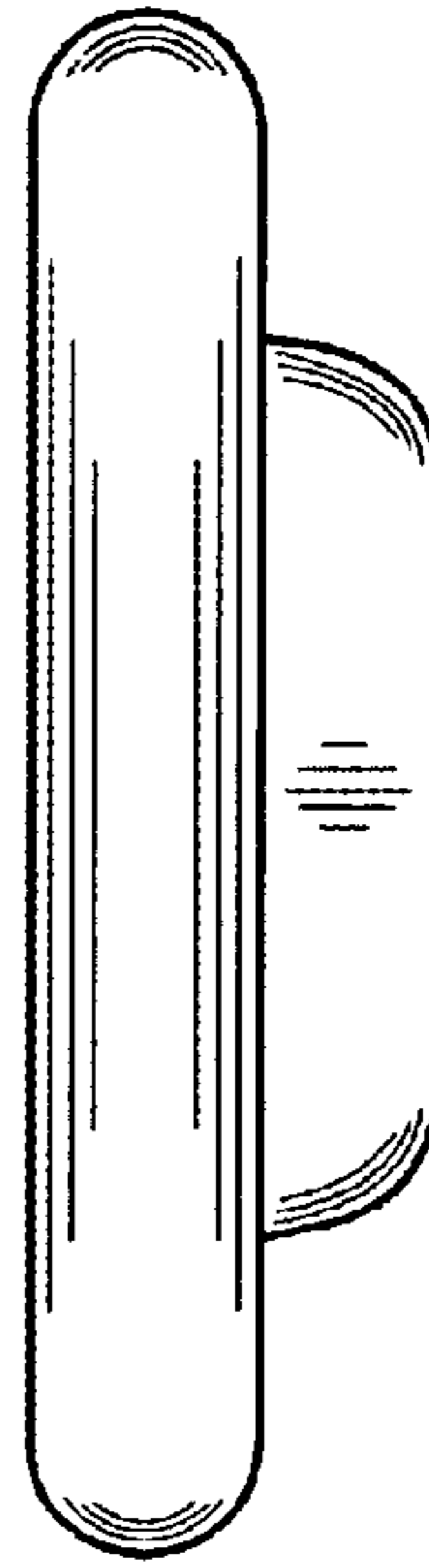


FIG. 3

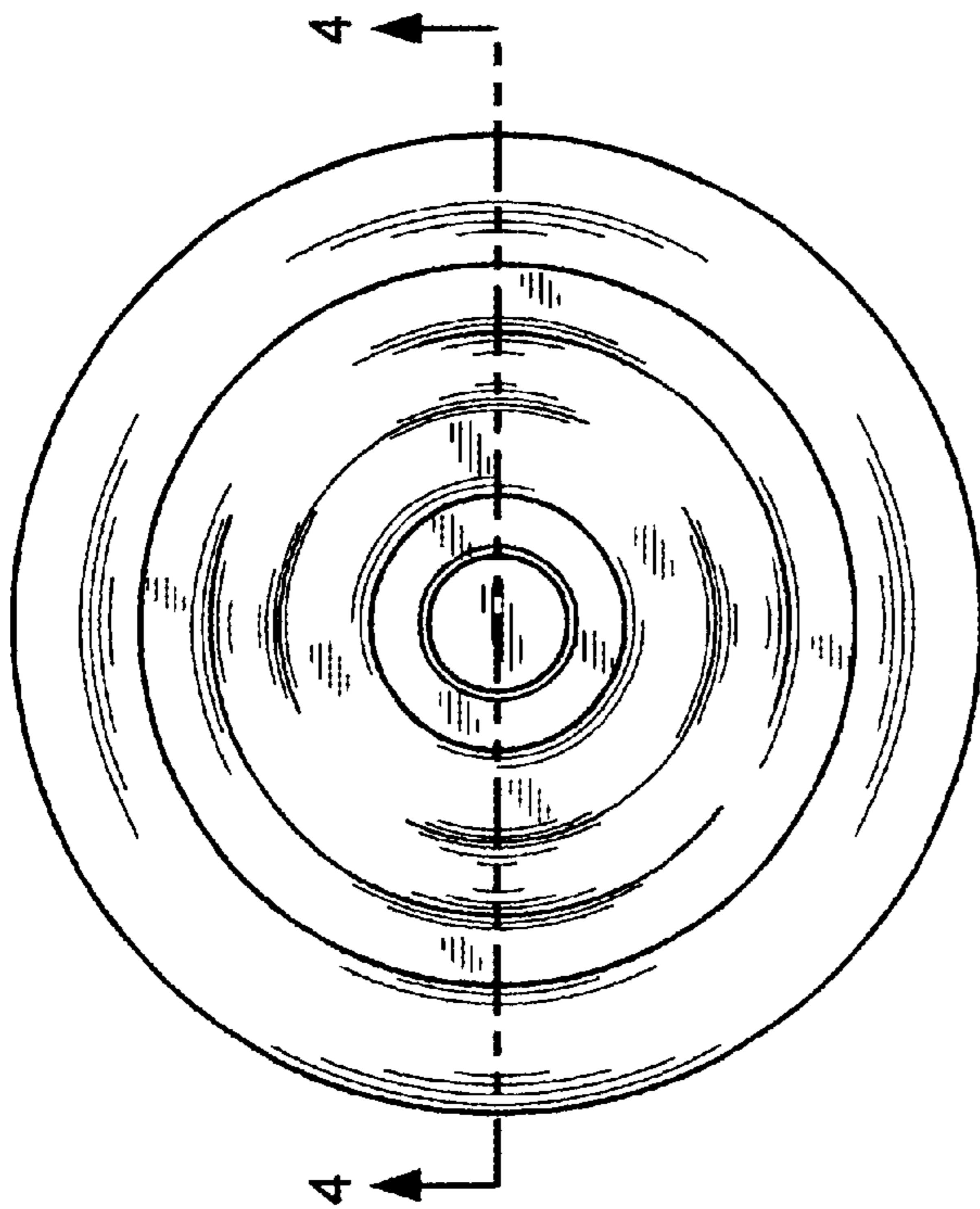


FIG. 1

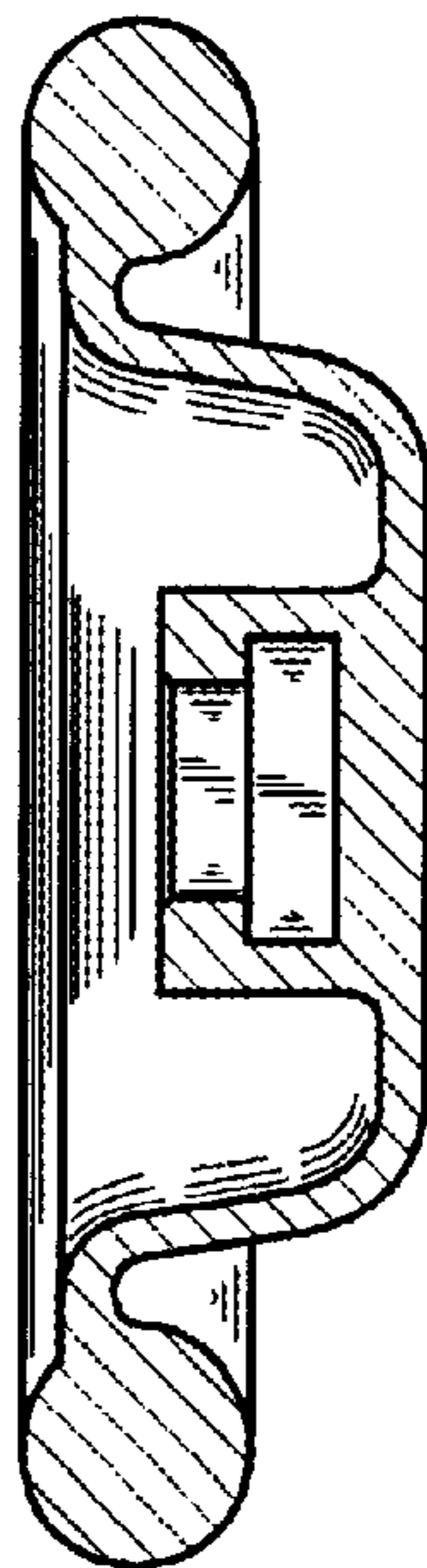


FIG. 4