



US00D470225S

(12) **United States Design Patent**
Xie

(10) **Patent No.:** **US D470,225 S**

(45) **Date of Patent:** **** Feb. 11, 2003**

(54) **TRIPLE DIRECTION SUPPLY WATER TAP**

(76) Inventor: **Yu-You Xie**, No. 18, Lane 123,
Lun-Ping South Road, Chang-Hua City,
Chang-Hua Hsien (TW)

(**) Term: **14 Years**

(21) Appl. No.: **29/143,471**

(22) Filed: **Jun. 15, 2001**

(51) **LOC (7) Cl.** **23-01**

(52) **U.S. Cl.** **D23/242; D23/241; D23/238**

(58) **Field of Search** **D23/238-243,**
D23/250-257; 4/675-678; 137/807

(56) **References Cited**

U.S. PATENT DOCUMENTS

D50,866 S	*	6/1917	Barr	D23/239
D291,114 S	*	7/1987	Piesco	D23/239
D342,119 S	*	12/1993	Shieh	D23/239

* cited by examiner

Primary Examiner—Louis S. Zarfes

Assistant Examiner—Gregory Andoll

(74) *Attorney, Agent, or Firm*—Troxell Law Office PLLC

(57) **CLAIM**

The ornamental design for a triple direction supply water tap, as shown.

DESCRIPTION

FIG. 1 is a front view of a triple direction supply water tap showing my new design;

FIG. 2 is a rear view thereof;

FIG. 3 is a left view thereof;

FIG. 4 is a right view thereof;

FIG. 5 is a top view thereof;

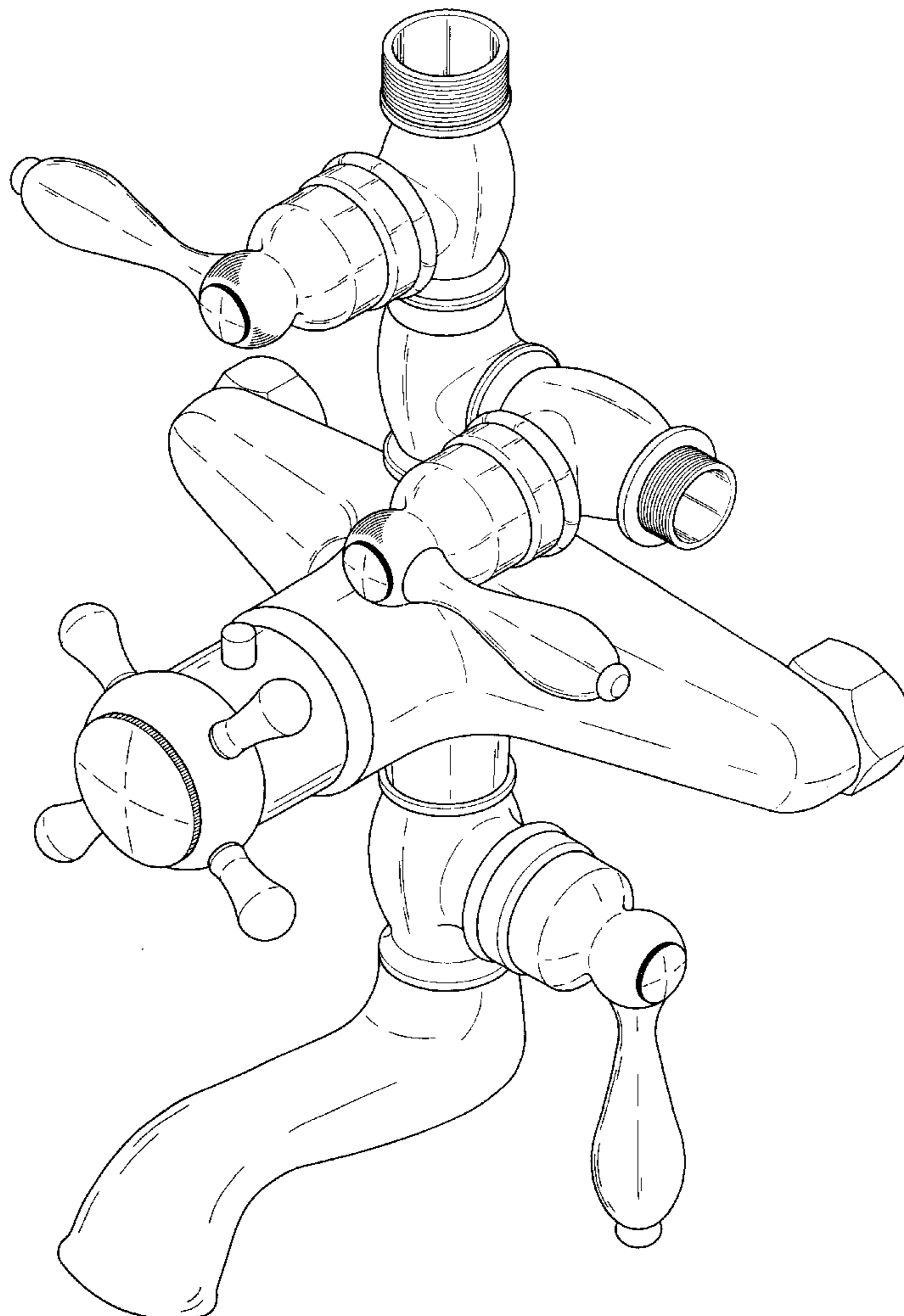
FIG. 6 is a bottom view thereof;

FIG. 7 is an elevational view thereof; and,

FIG. 8 is perspective view thereof.

The broken lines in the Figures are for illustrative purposes only and form no part of the claimed design.

1 Claim, 8 Drawing Sheets



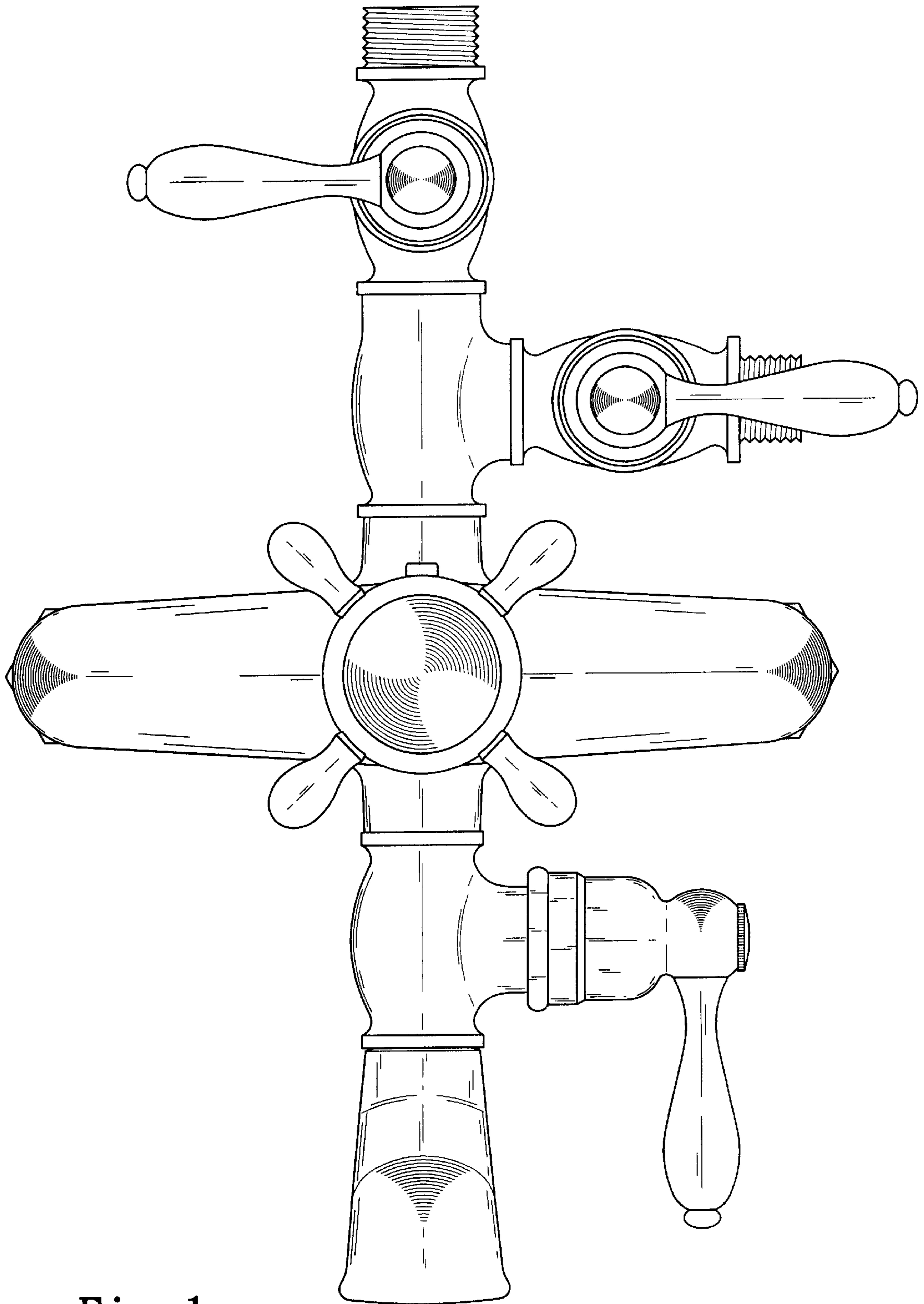


Fig. 1

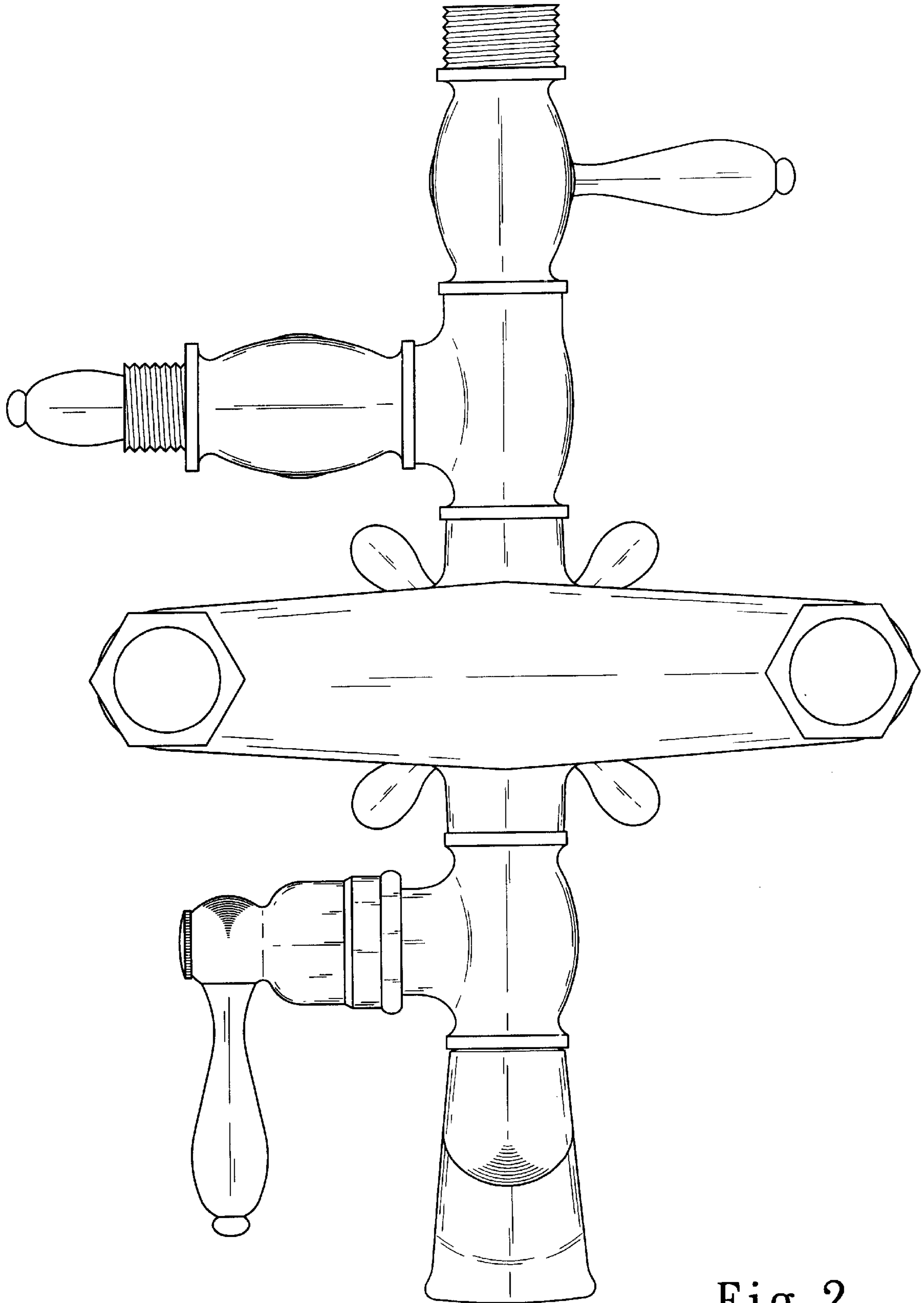


Fig. 2

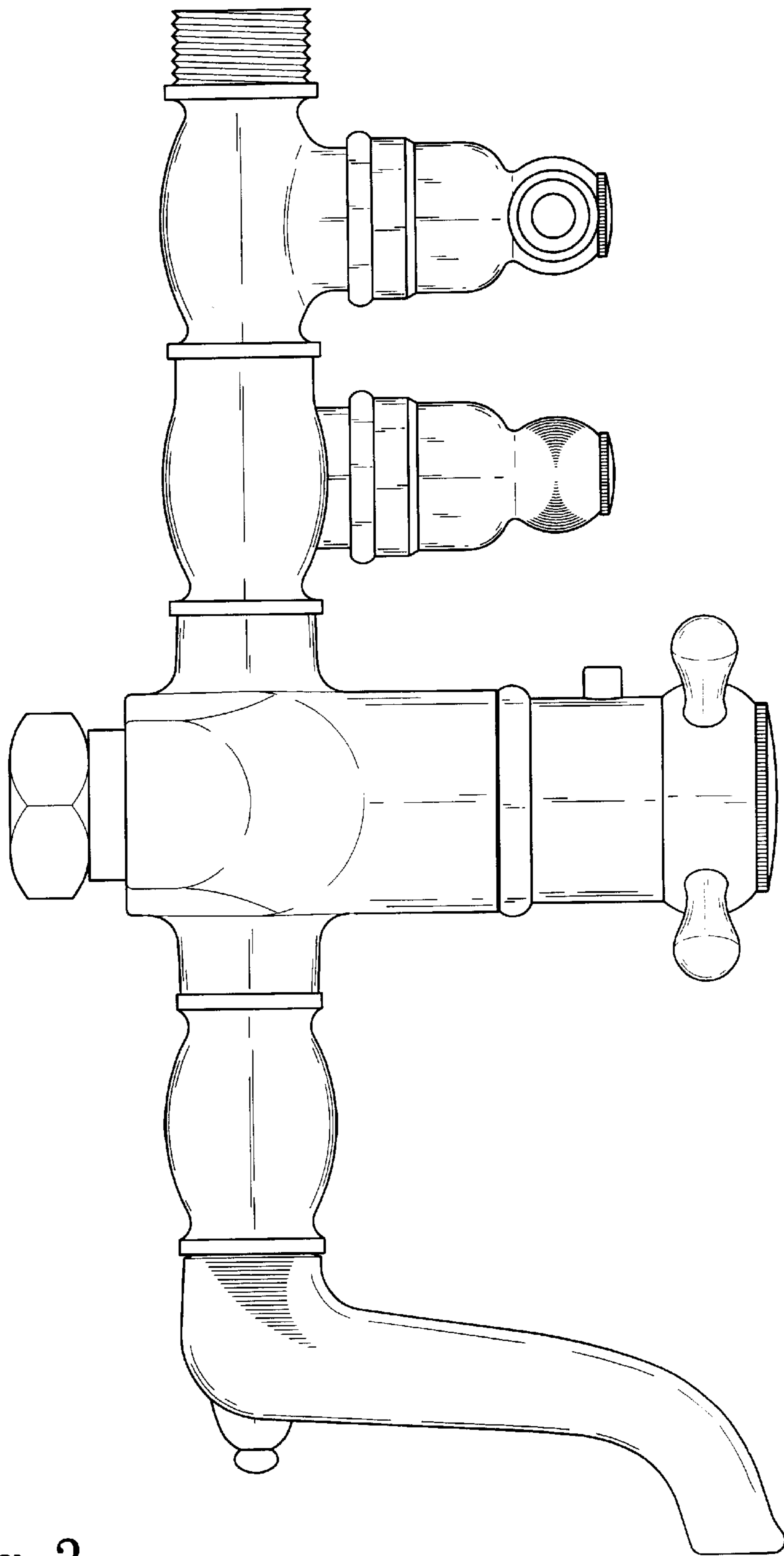


Fig. 3

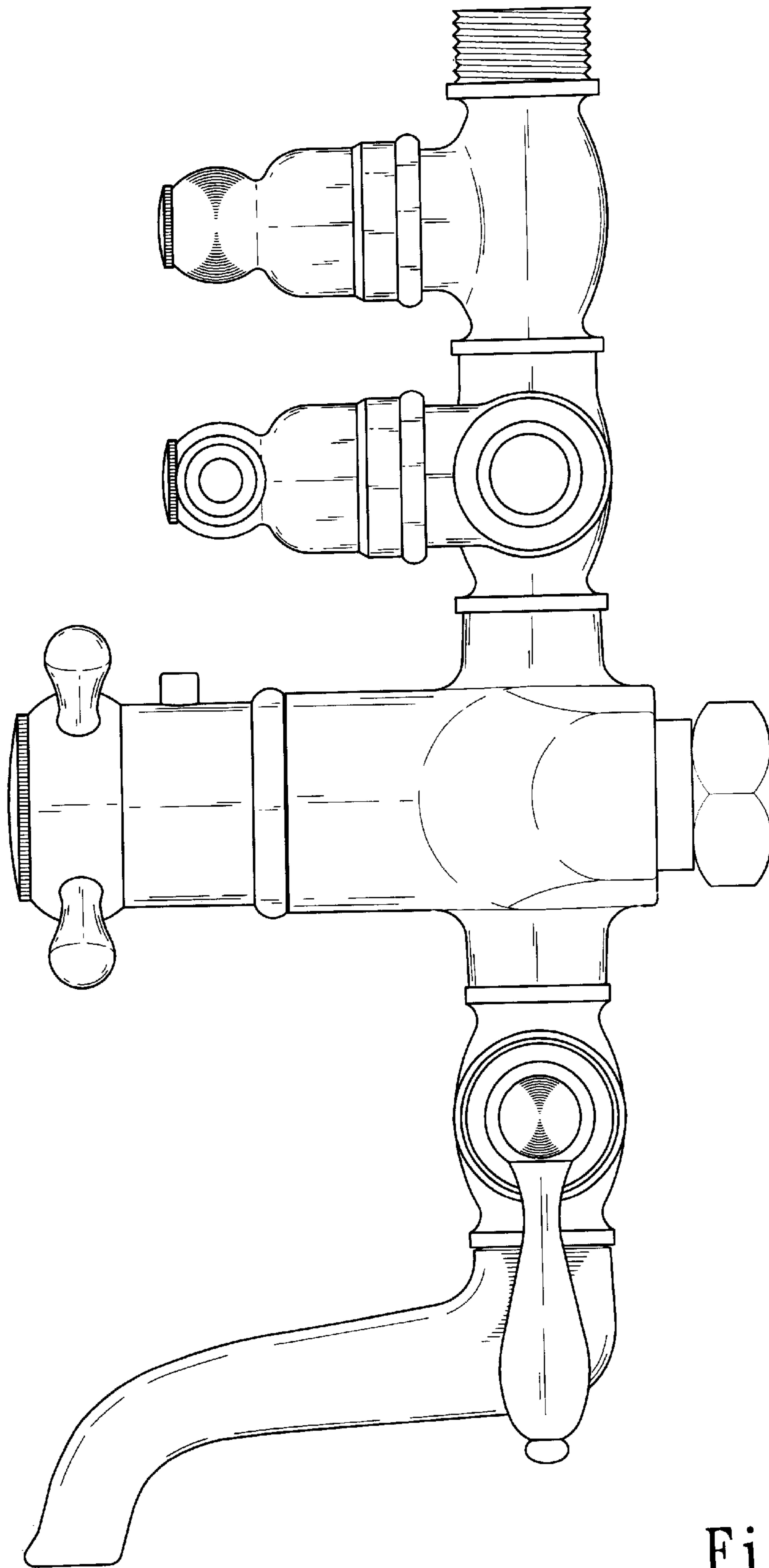


Fig. 4

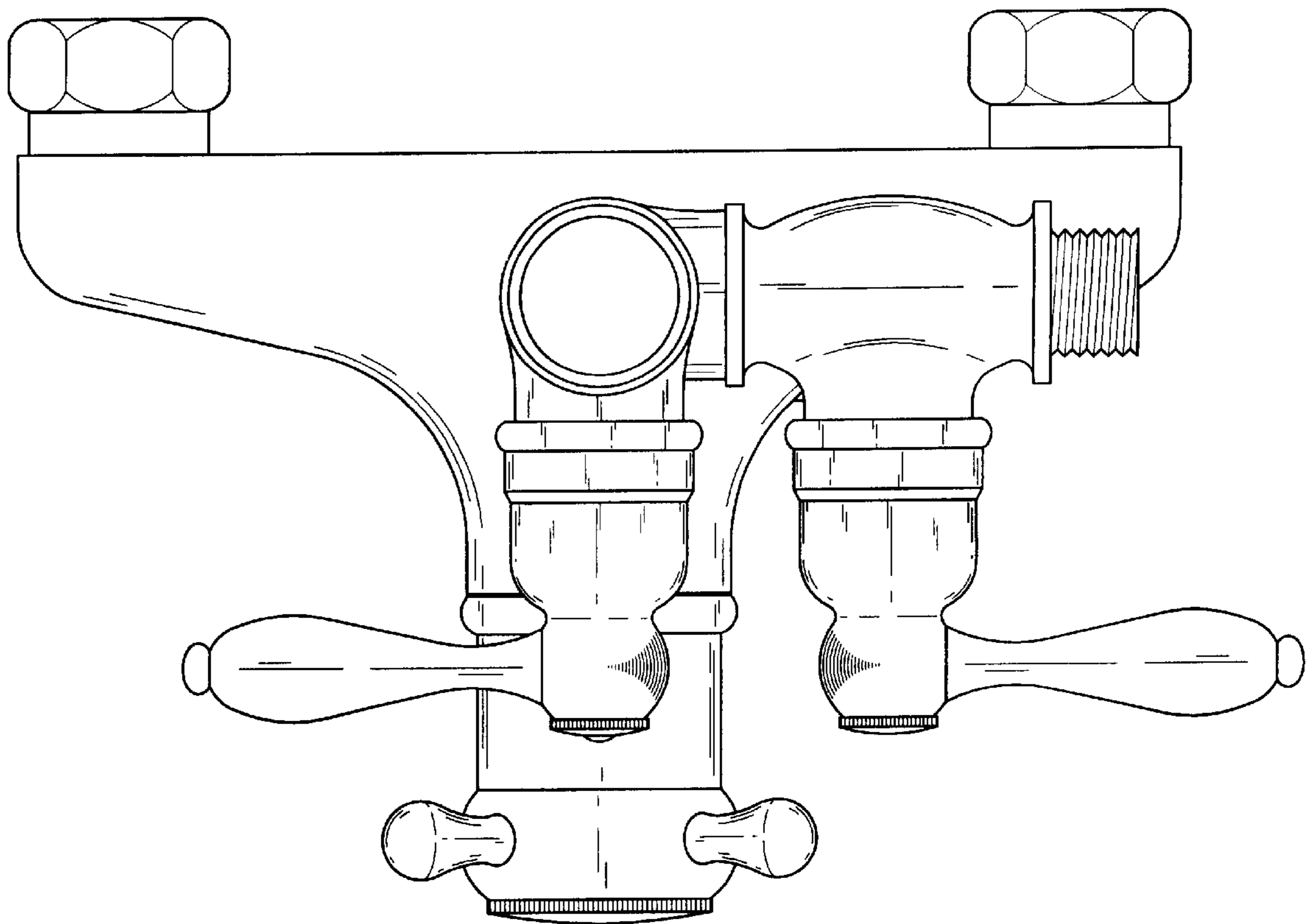


Fig. 5

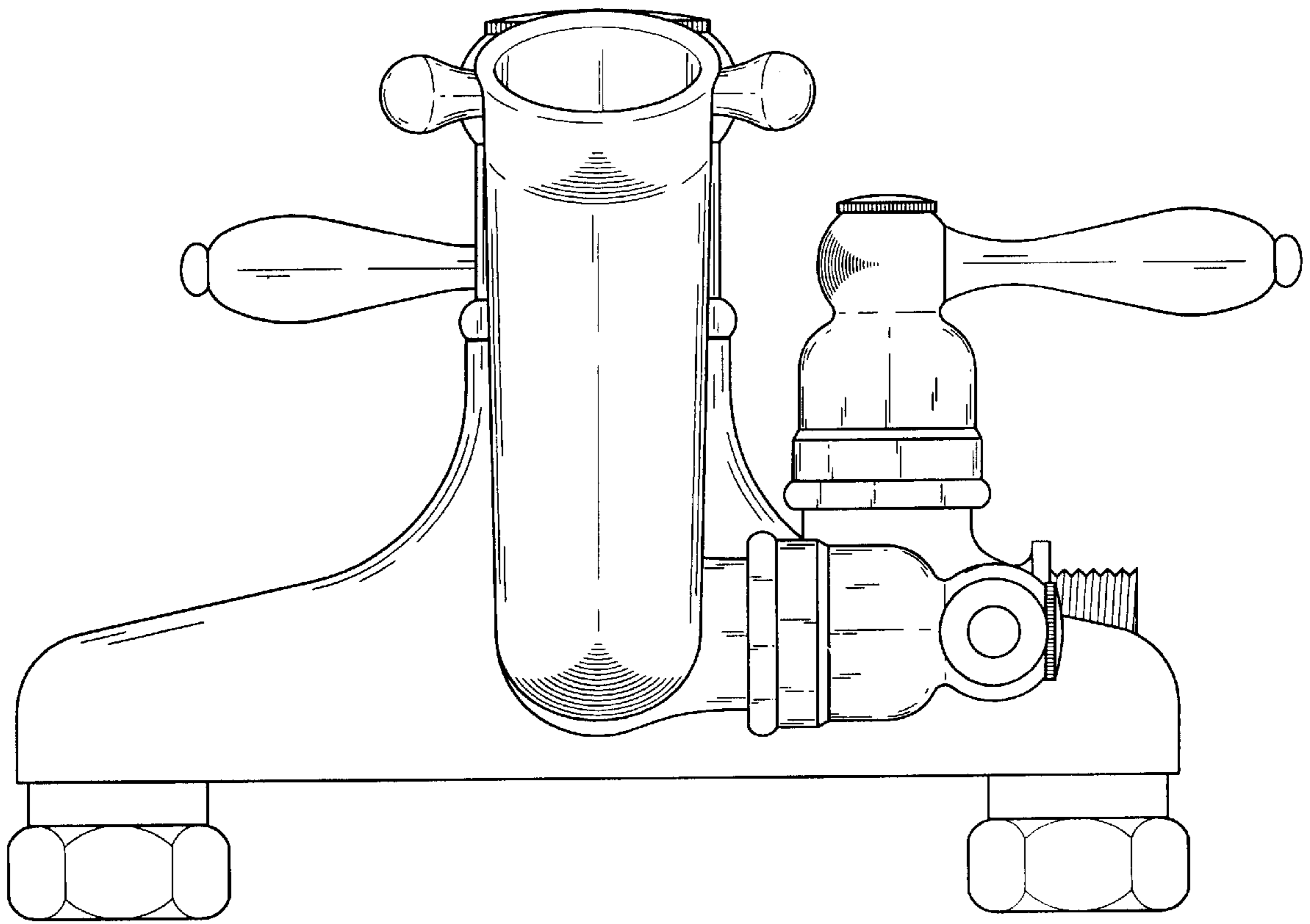


Fig. 6

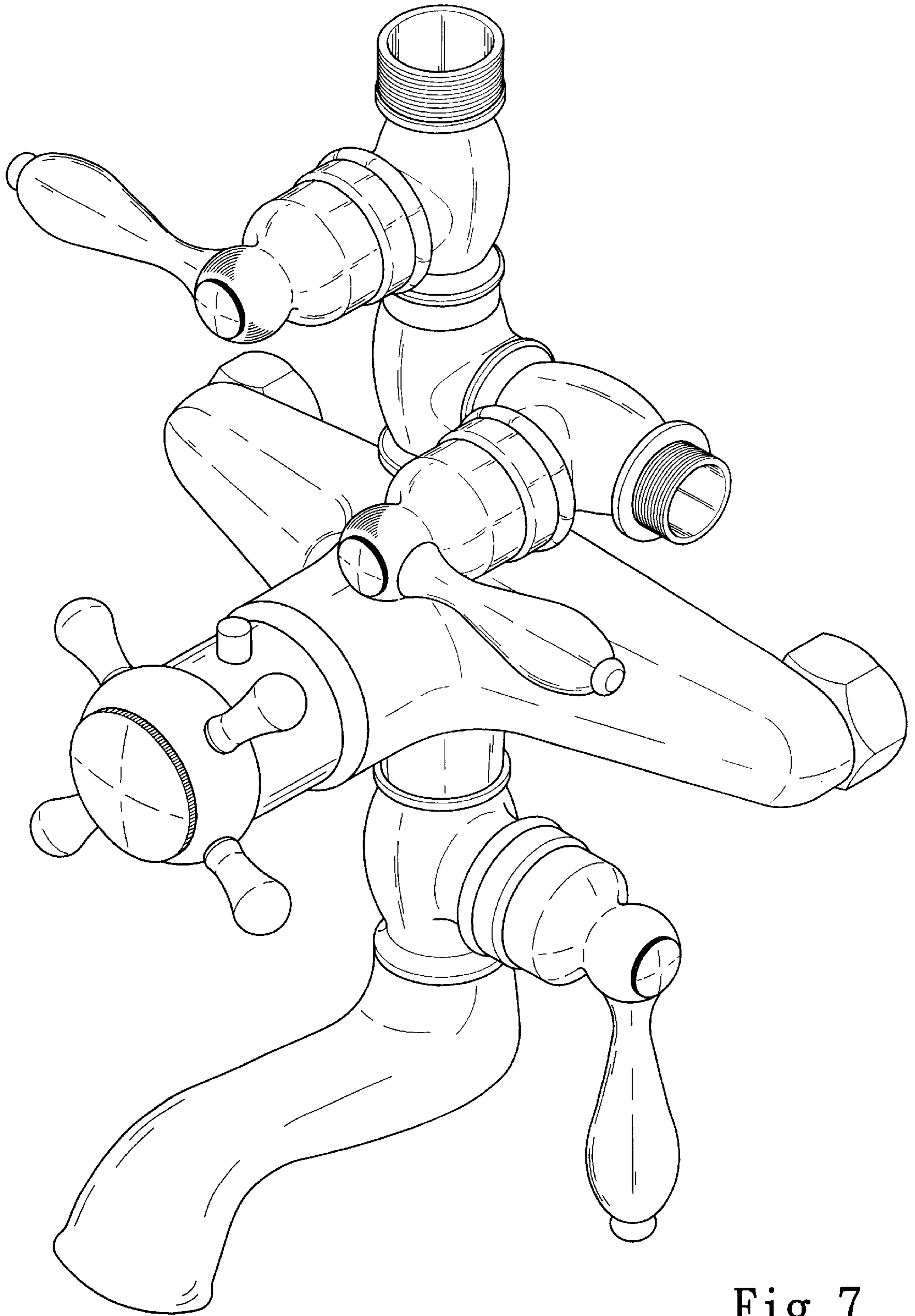


Fig. 7

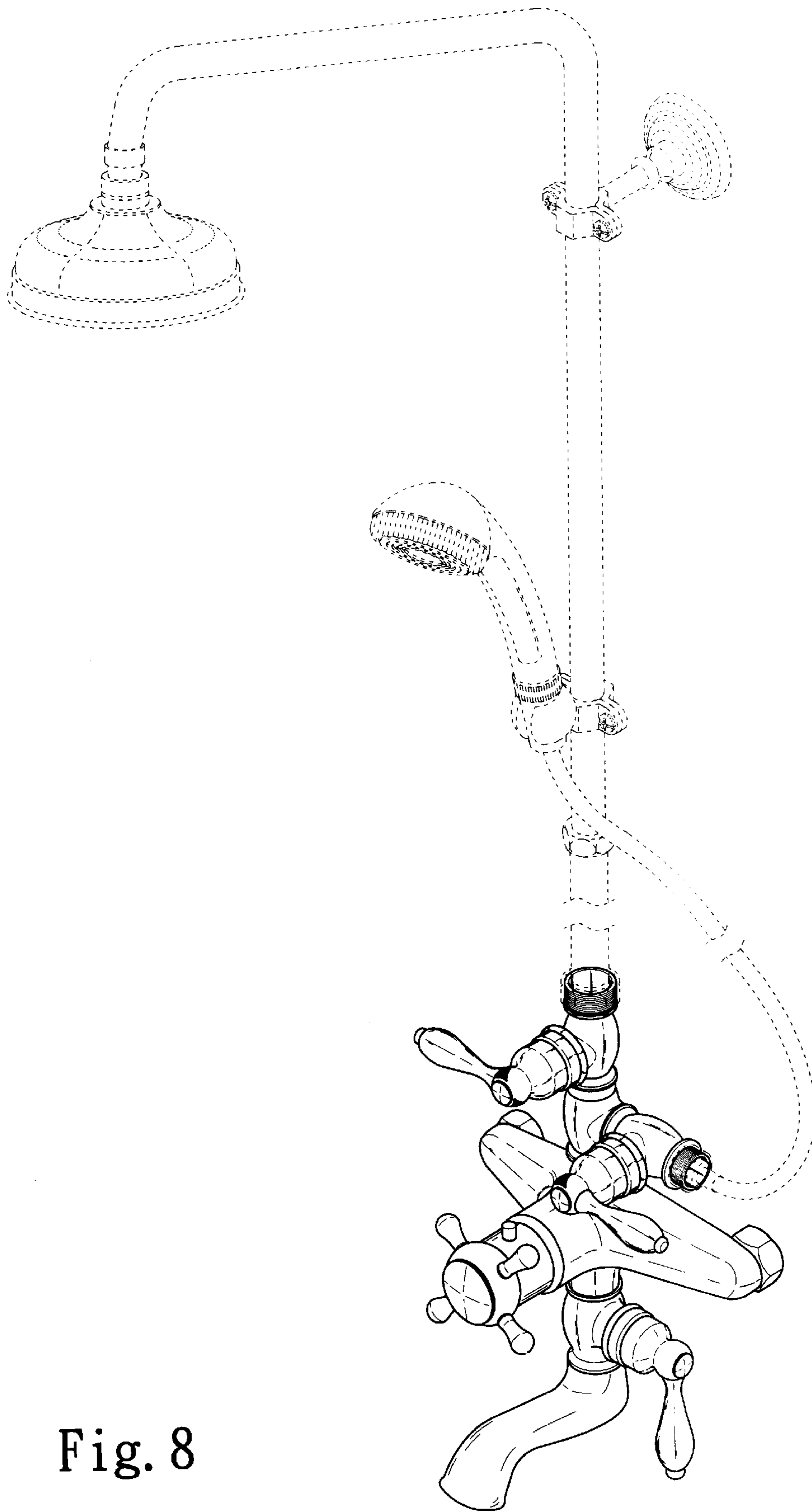


Fig. 8