



US00D470224S

(12) **United States Design Patent**
Hanna

(10) **Patent No.:** **US D470,224 S**

(45) **Date of Patent:** **** Feb. 11, 2003**

(54) **FAUCET**

(75) **Inventor:** **Aaron E. Hanna**, Redlands, CA (US)

(73) **Assignee:** **Emhart LLC**, Newark, DE (US)

(**) **Term:** **14 Years**

(21) **Appl. No.:** **29/154,766**

(22) **Filed:** **Jan. 29, 2002**

(51) **LOC (7) Cl.** **23-07**

(52) **U.S. Cl.** **D23/238**

(58) **Field of Search** **D23/238-243,**
D23/250-257; 4/675-678; 137/801

(56) **References Cited**

U.S. PATENT DOCUMENTS

638,611 A	5/1899	Totham	
1,425,478 A	8/1922	Hitchcock	
D70,708 S	7/1926	Stuart	
D189,081 S	10/1960	Hauser	
D281,095 S	10/1985	Arnold et al.	
D281,096 S	10/1985	Arnold et al.	
D314,040 S	1/1991	Heieck	
D318,906 S	* 8/1991	Spangler	D23/255
D320,645 S	10/1991	Knapp et al.	
D326,897 S	6/1992	Williams	
D331,276 S	11/1992	Knapp	
D337,812 S	* 7/1993	Bray	D23/238
D350,591 S	9/1994	Kawakami	
D379,213 S	5/1997	Gottwald	
5,758,690 A	6/1998	Humpert et al.	
D408,895 S	4/1999	Lai	
D412,025 S	7/1999	Mark et al.	
D428,965 S	8/2000	Slothower	

D437,394 S	*	2/2001	Mark et al.	D23/238
D441,836 S		5/2001	Mark et al.		
D441,840 S		5/2001	Meylan		
D443,337 S		6/2001	Mark et al.		
D444,212 S		6/2001	Fleischmann		
D444,539 S		7/2001	Ker		
D456,878 S		5/2002	Gottwald		
D457,938 S		5/2002	Lobermeier		
D457,939 S		5/2002	Gottwald		

* cited by examiner

Primary Examiner—Louis S. Zarfaz

Assistant Examiner—Gregory Andoll

(74) *Attorney, Agent, or Firm*—Richard J. Veltman; John D. Del Ponti

(57) **CLAIM**

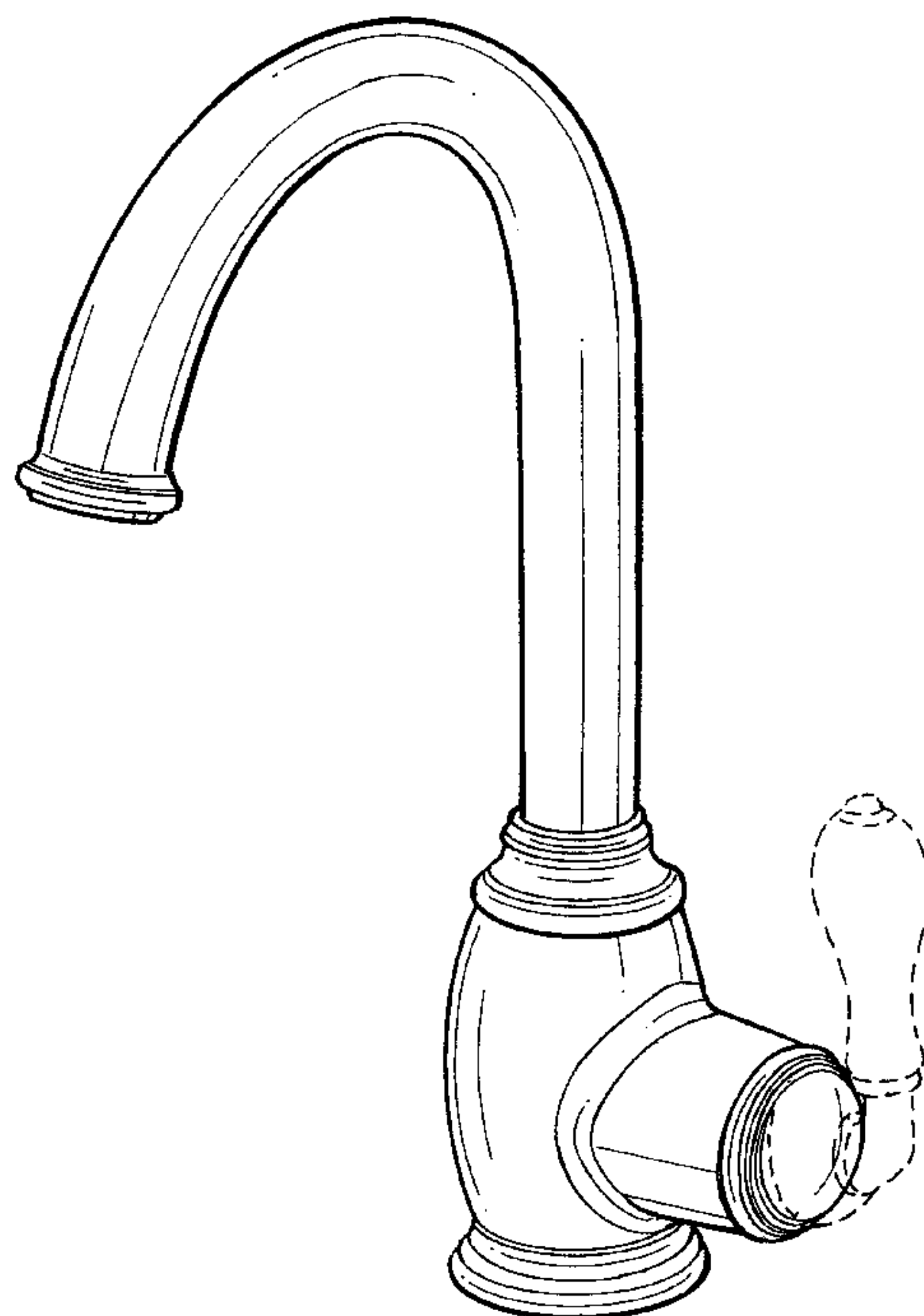
The ornamental design for a faucet, as shown.

DESCRIPTION

FIG. 1 is a perspective view of the new design for a faucet;
 FIG. 2 is a right elevational view of the new design for a faucet;
 FIG. 3 is a top plan view of the new design for a faucet;
 FIG. 4 is a bottom plan view of the new design for a faucet;
 FIG. 5 is a front elevational view of the new design for a faucet;
 FIG. 6 is a rear elevational view of the new design for a faucet; and,
 FIG. 7 is a left elevational view of the new design for a faucet.

The broken lines in the Figures are for illustrative purposes only and form no part of the claimed design.

1 Claim, 3 Drawing Sheets



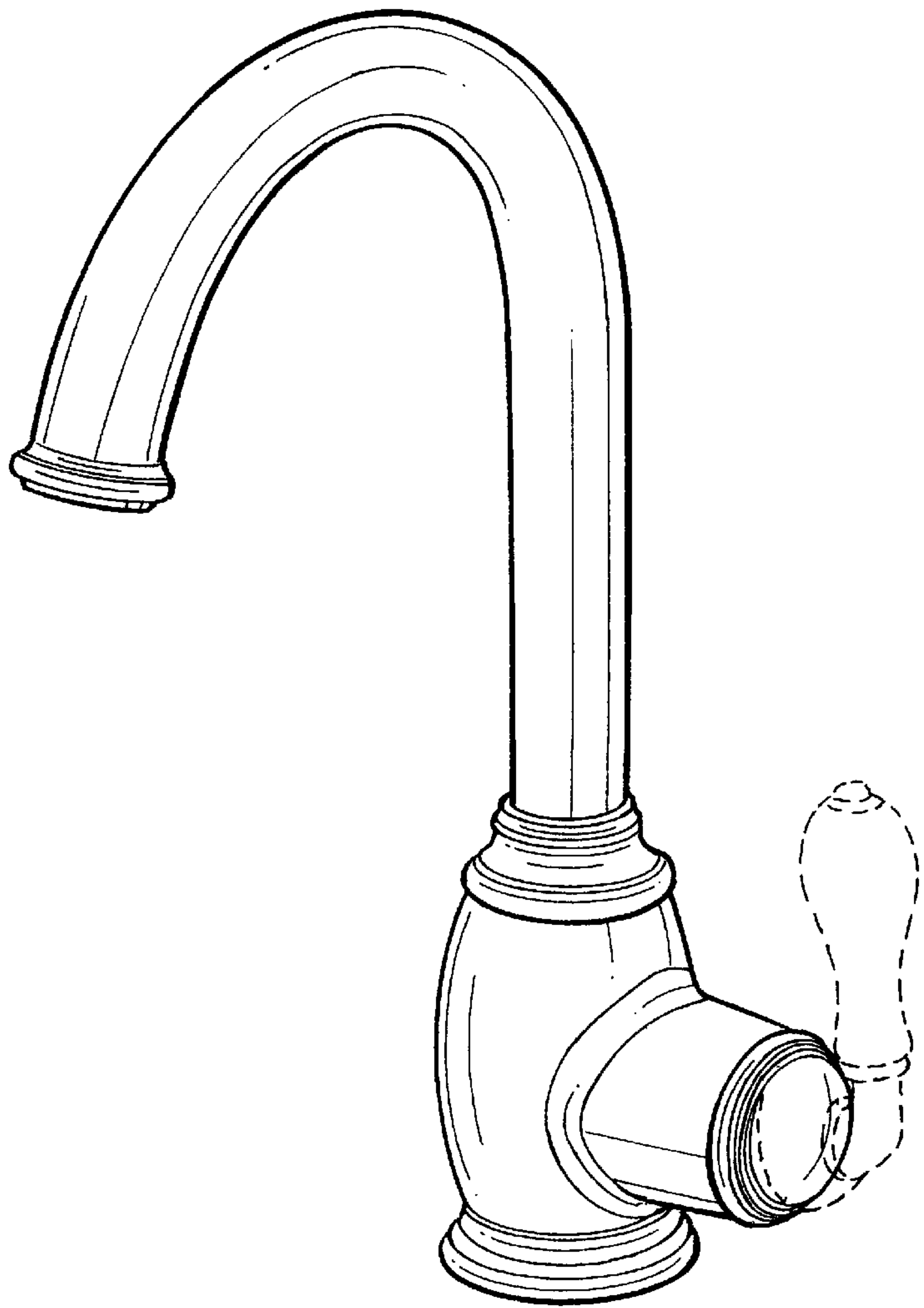


Fig. 1

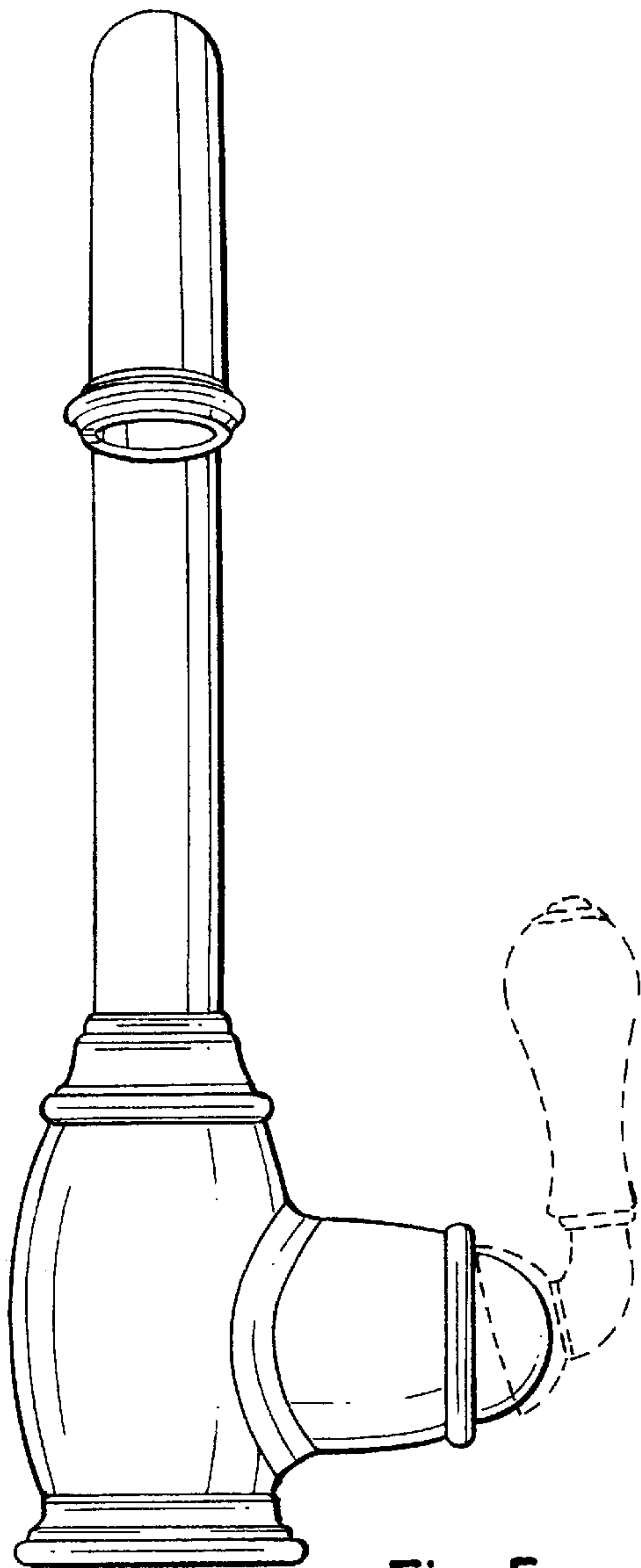


Fig. 5

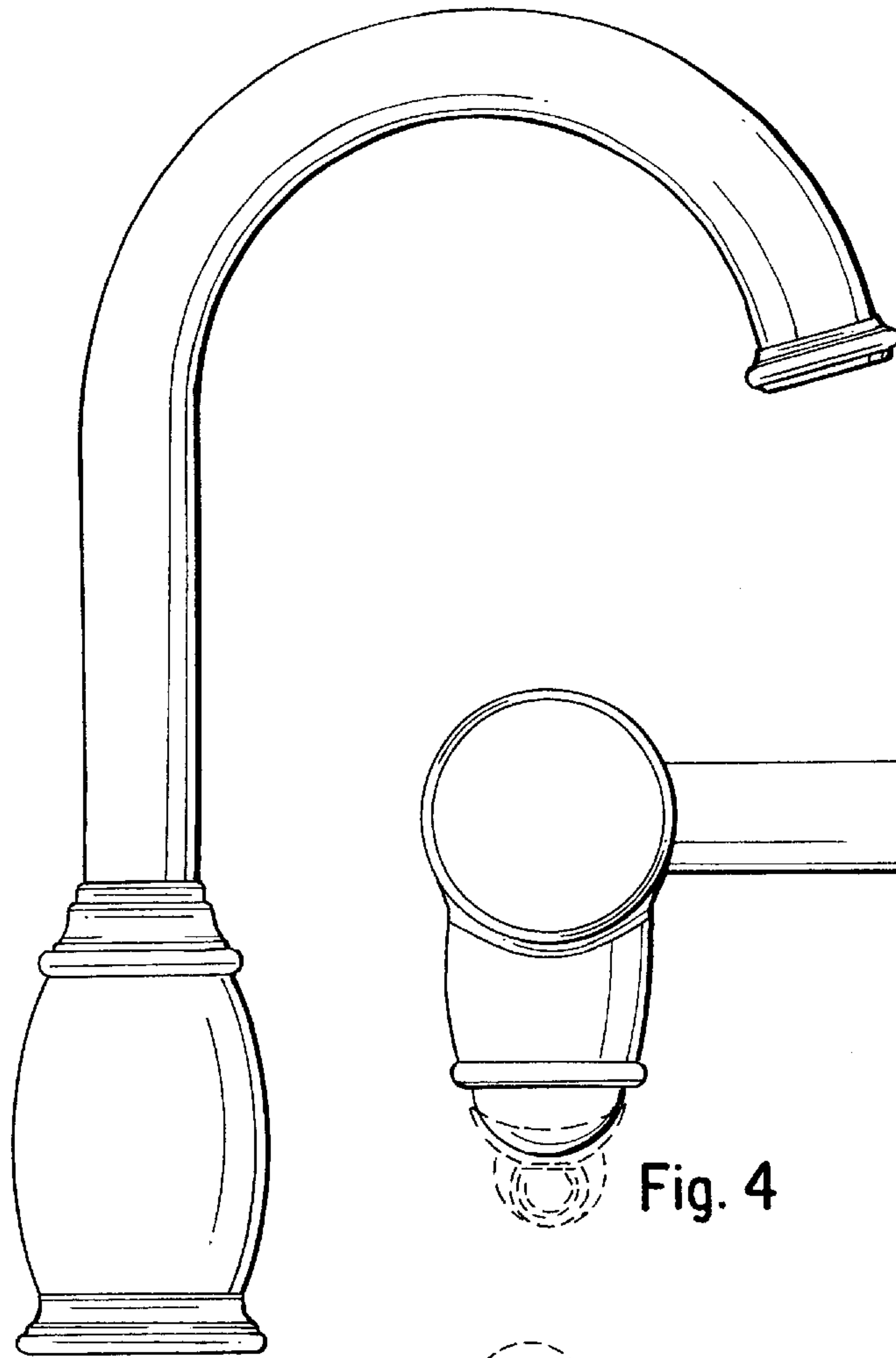


Fig. 2

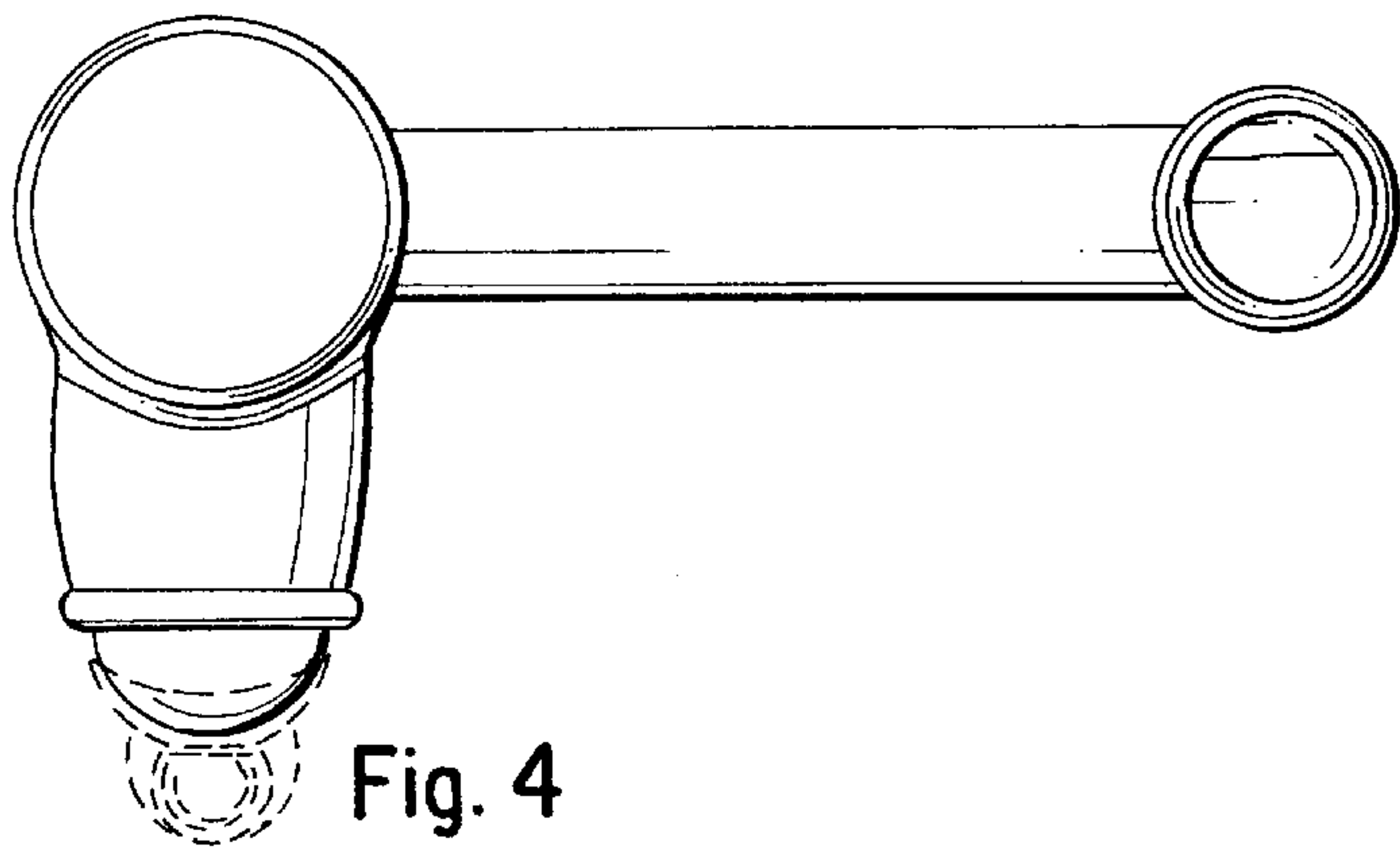


Fig. 4

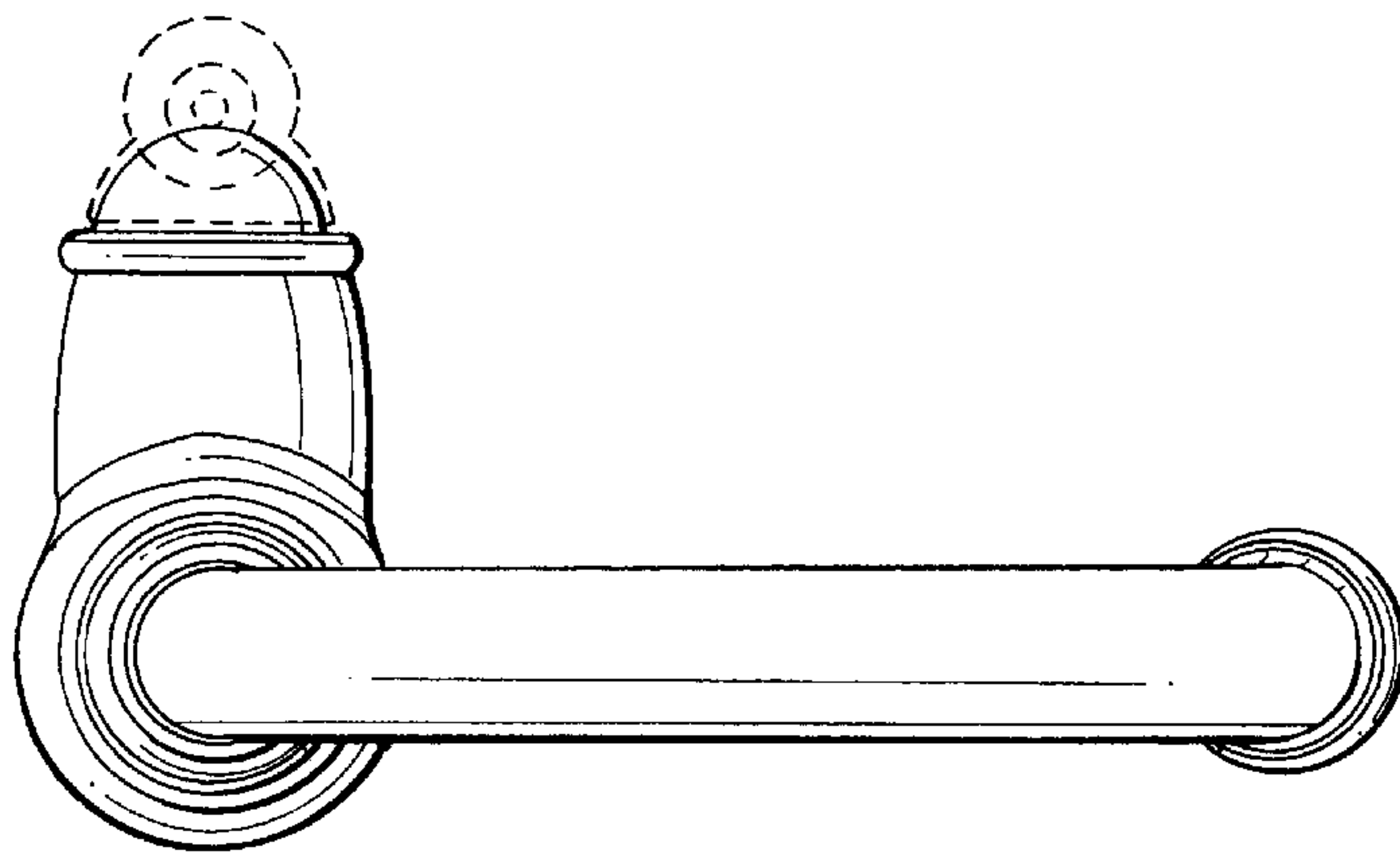


Fig. 3

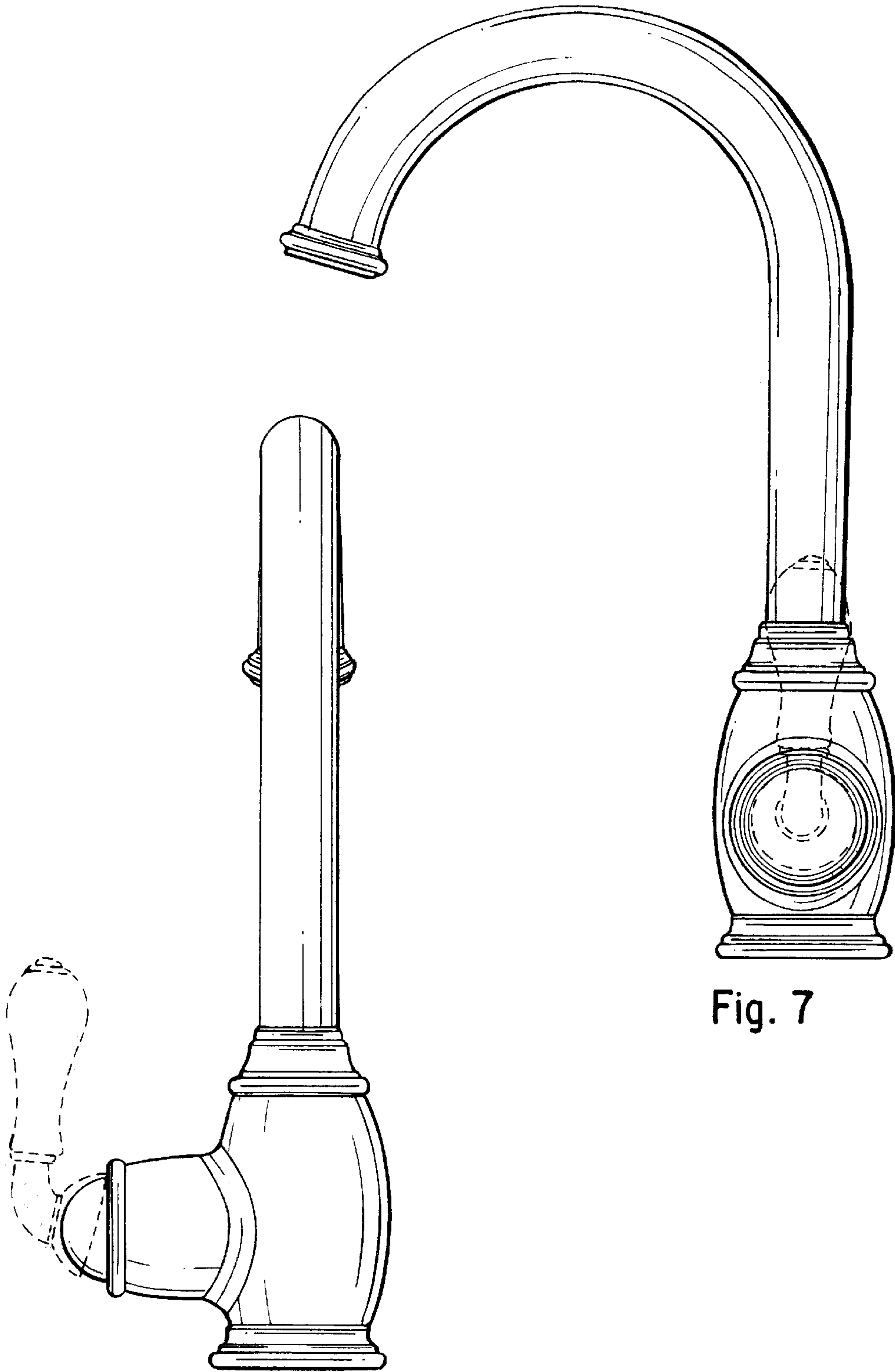


Fig. 6

Fig. 7