



US00D470222S

(12) **United States Design Patent**  
**Nortier**

(10) **Patent No.:** **US D470,222 S**

(45) **Date of Patent:** **\*\* Feb. 11, 2003**

(54) **TOILET ROOM FLUSH VALVE**

(75) **Inventor:** **Richard A. Nortier**, Westchester, IL  
(US)

(73) **Assignee:** **Sloan Valve Company**, Franklin Park,  
IL (US)

(\*\*) **Term:** **14 Years**

(21) **Appl. No.:** **29/162,347**

(22) **Filed:** **Jun. 13, 2002**

(51) **LOC (7) Cl.** ..... **23-01**

(52) **U.S. Cl.** ..... **D23/233**

(58) **Field of Search** ..... D23/233, 245;  
137/360; 138/40; 251/38-40, 120

(56) **References Cited**

**U.S. PATENT DOCUMENTS**

2,400,911	A	*	5/1946	Booth	.....	236/34.5
2,916,251	A	*	12/1959	Butte	.....	251/40
3,117,589	A	*	1/1964	Billeter	.....	137/360
D218,035	S	*	7/1970	Sloan et al.	.....	D23/245

D229,561	S	*	12/1973	Nelson	.....	D23/245
D270,752	S	*	9/1983	Gorans	.....	D23/248
5,213,305	A	*	5/1993	Whiteside et al.	.....	251/40
D367,104	S	*	2/1996	Allen et al.	.....	D23/245
6,408,873	B1	*	6/2002	Hall et al.	.....	137/550

\* cited by examiner

*Primary Examiner*—Nelson C. Holtje

(74) *Attorney, Agent, or Firm*—Cook, Alex, McFarron,  
Manzo, Cummings & Mehler, Ltd.

(57) **CLAIM**

The ornamental design for a toilet room flush valve, as shown and described.

**DESCRIPTION**

FIG. 1 is a perspective view of my new design for a toilet room flush valve;  
 FIG. 2 is a front view thereof;  
 FIG. 3 is a left side view thereof;  
 FIG. 4 is a right side view thereof;  
 FIG. 5 is a top view thereof; and,  
 FIG. 6 is a bottom view thereof.

**1 Claim, 2 Drawing Sheets**

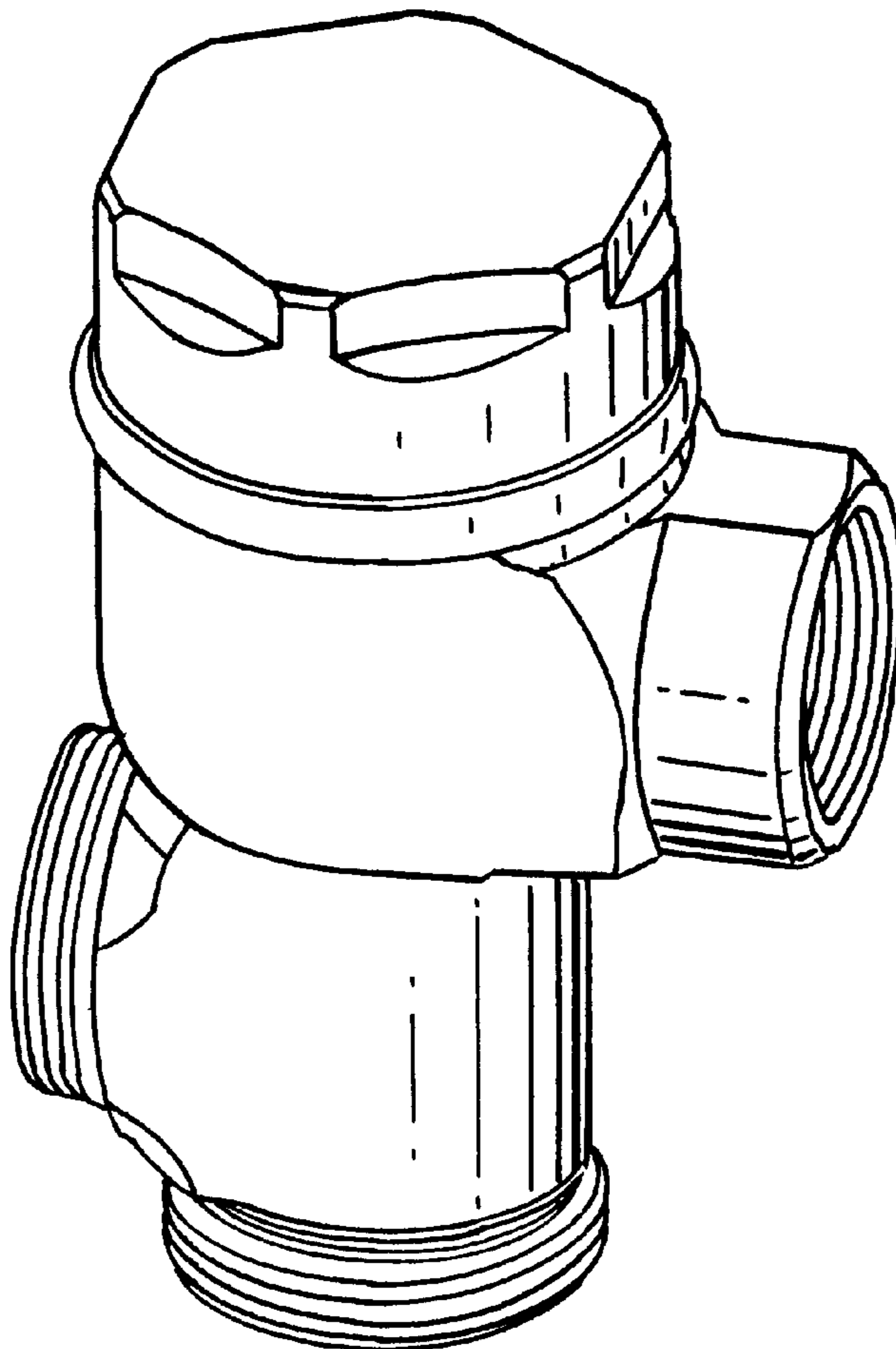


FIG. 1.

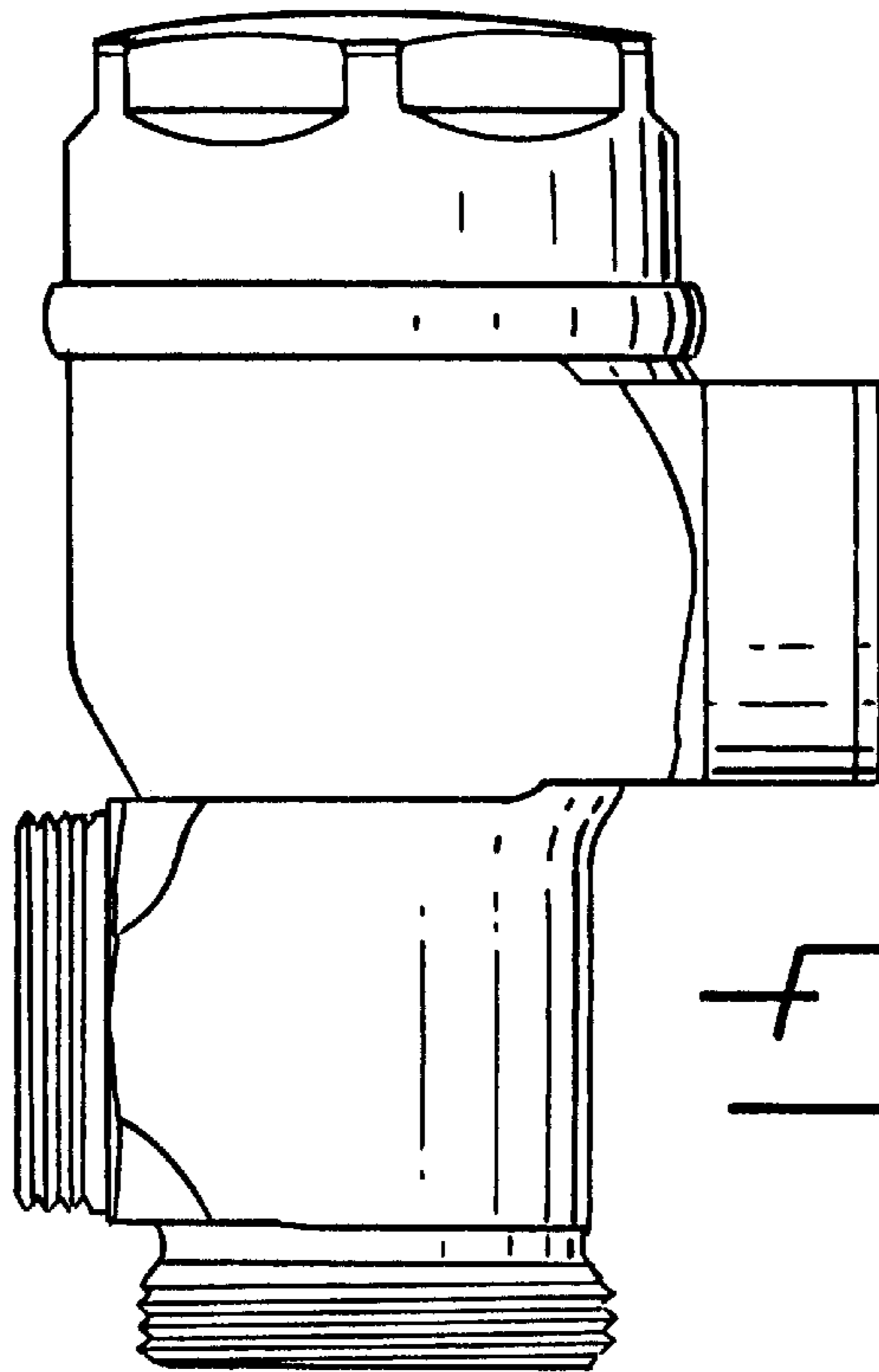
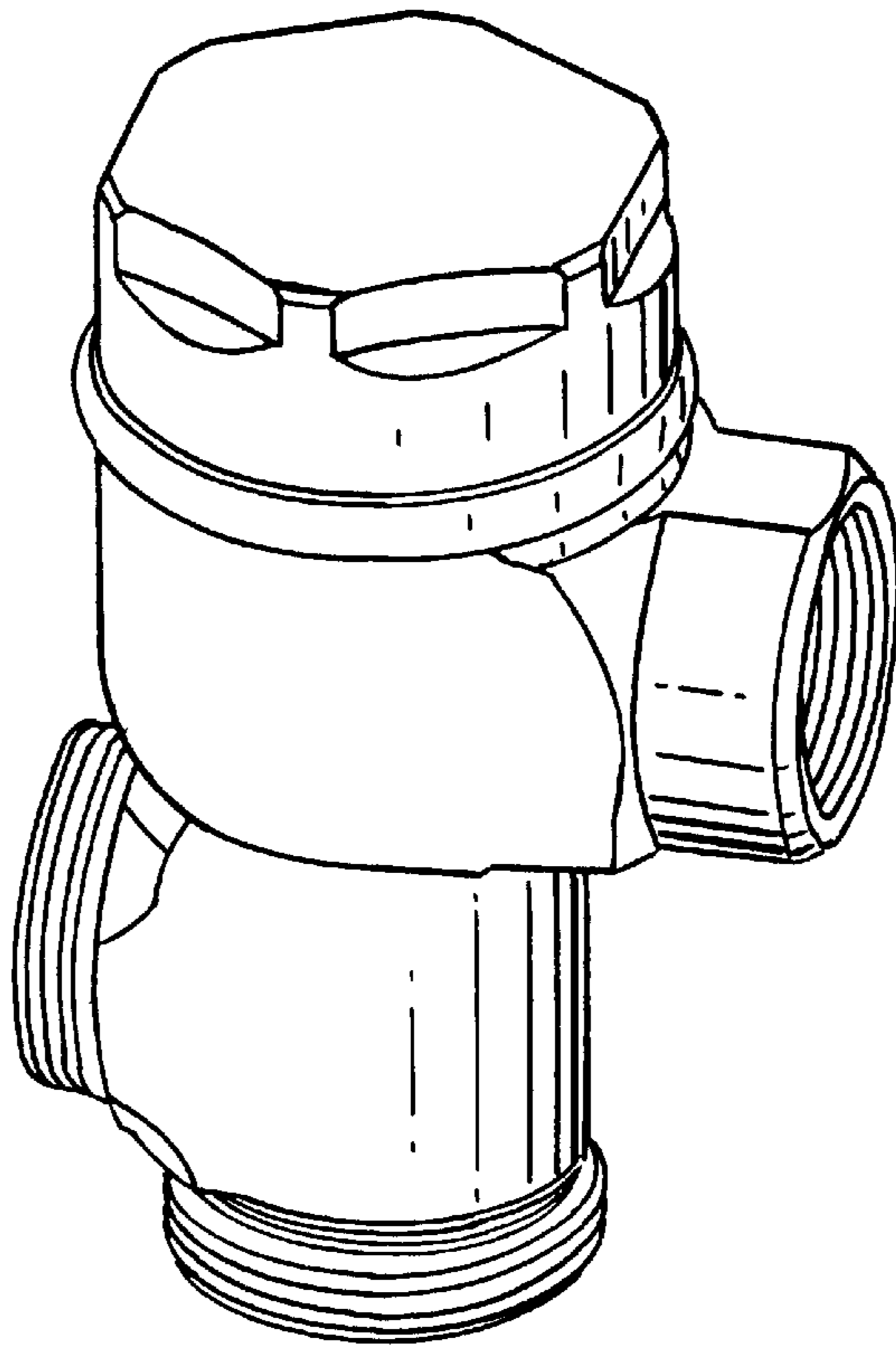


FIG. 2.

Fig. 3.

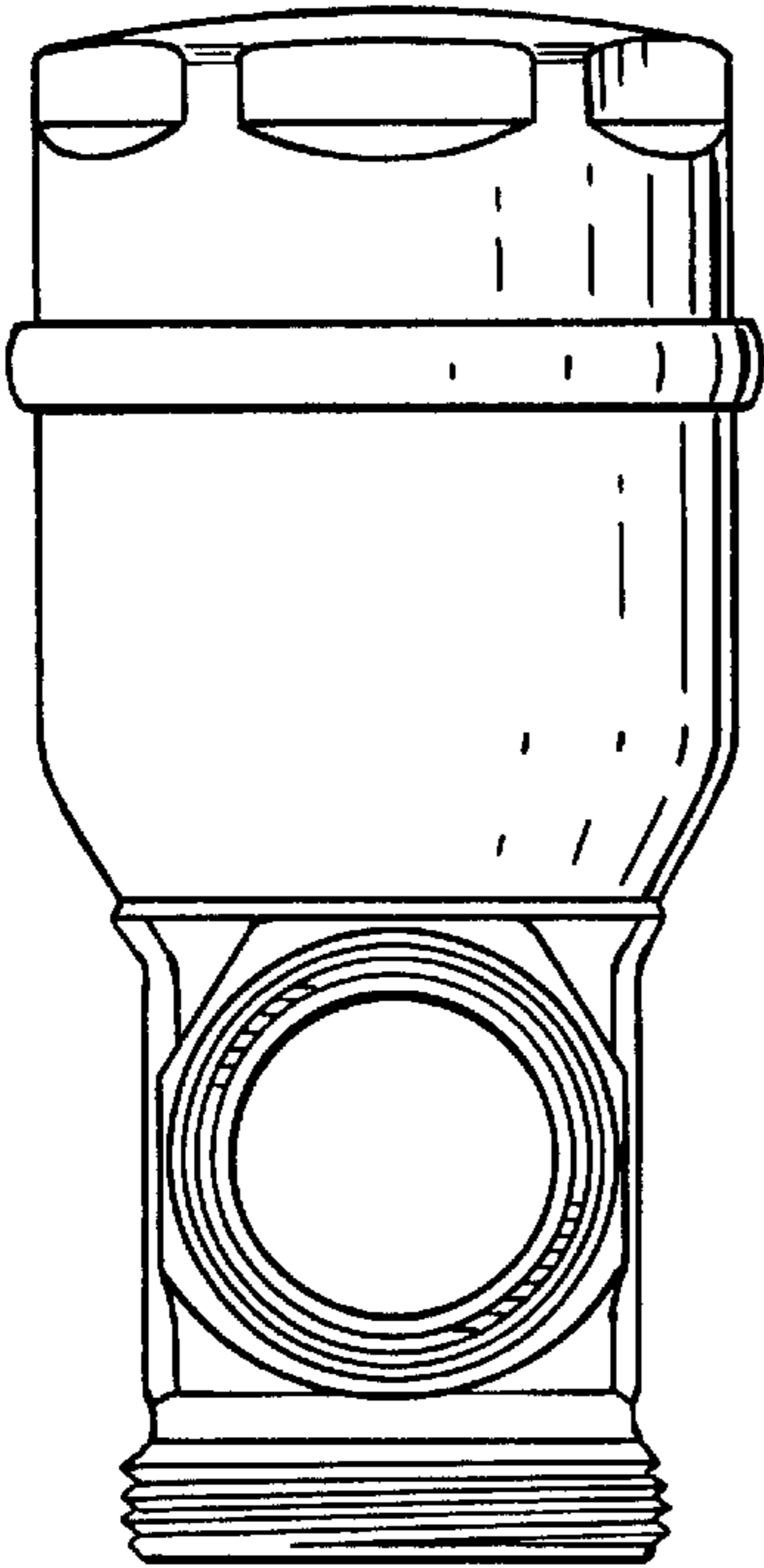


Fig. 4.

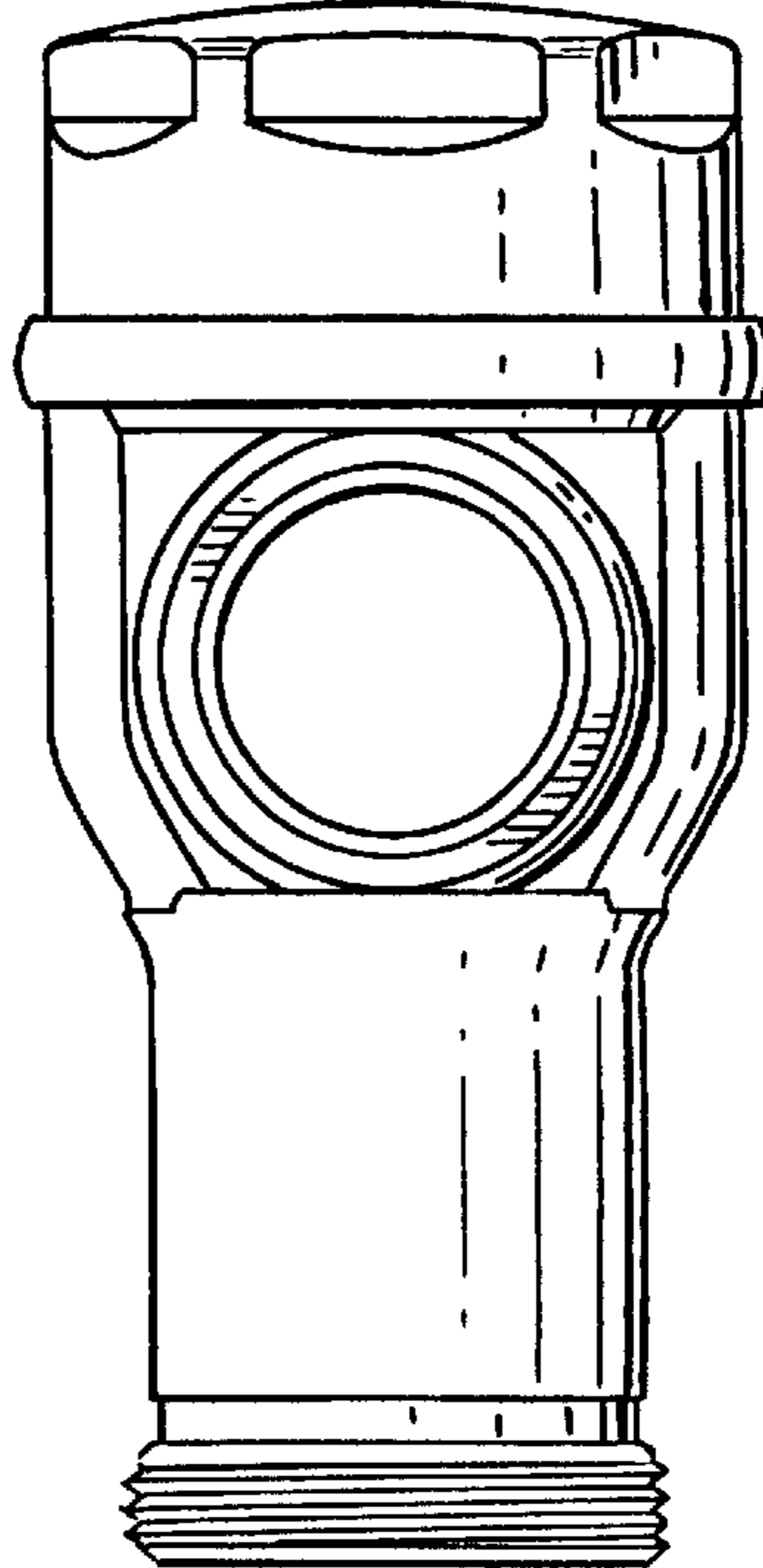


Fig. 5.

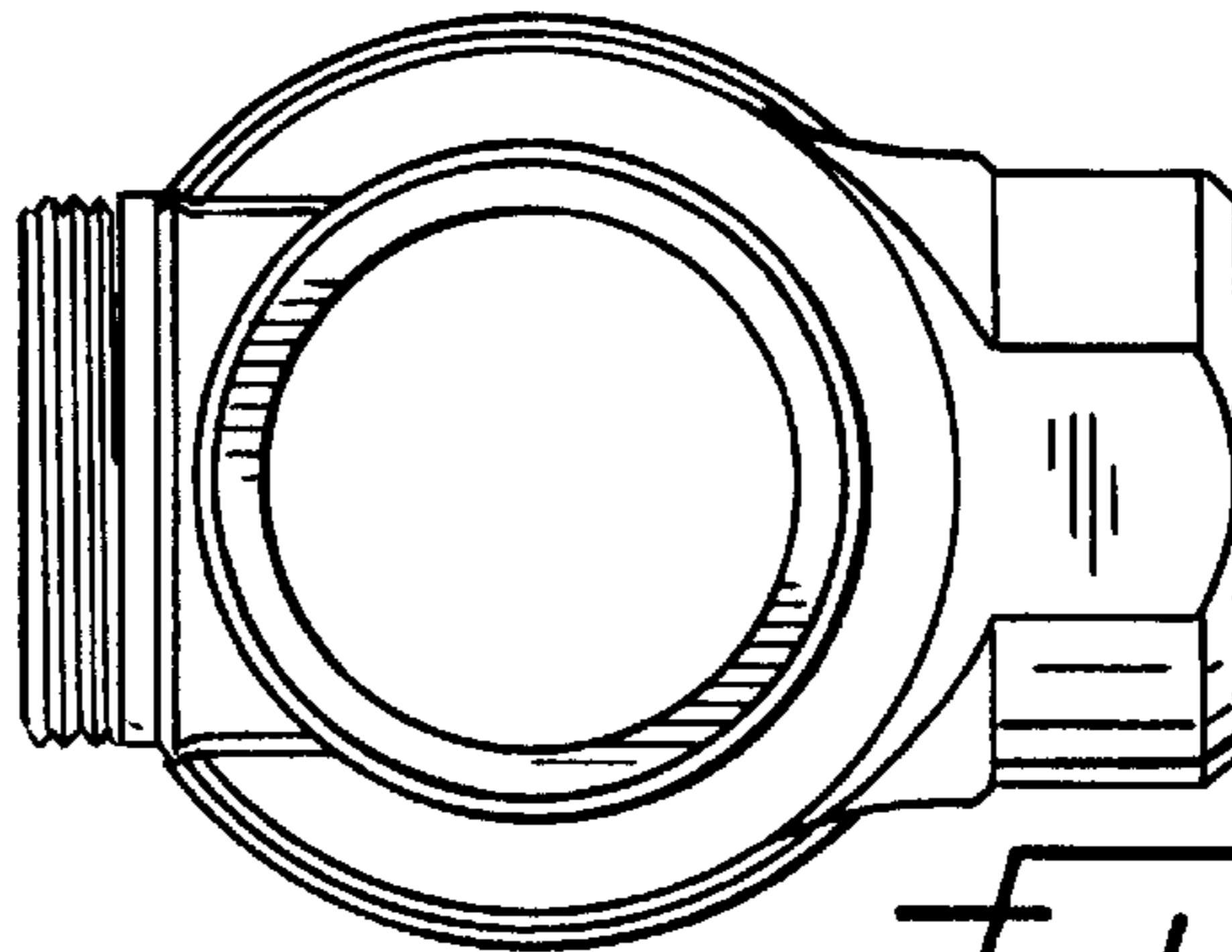
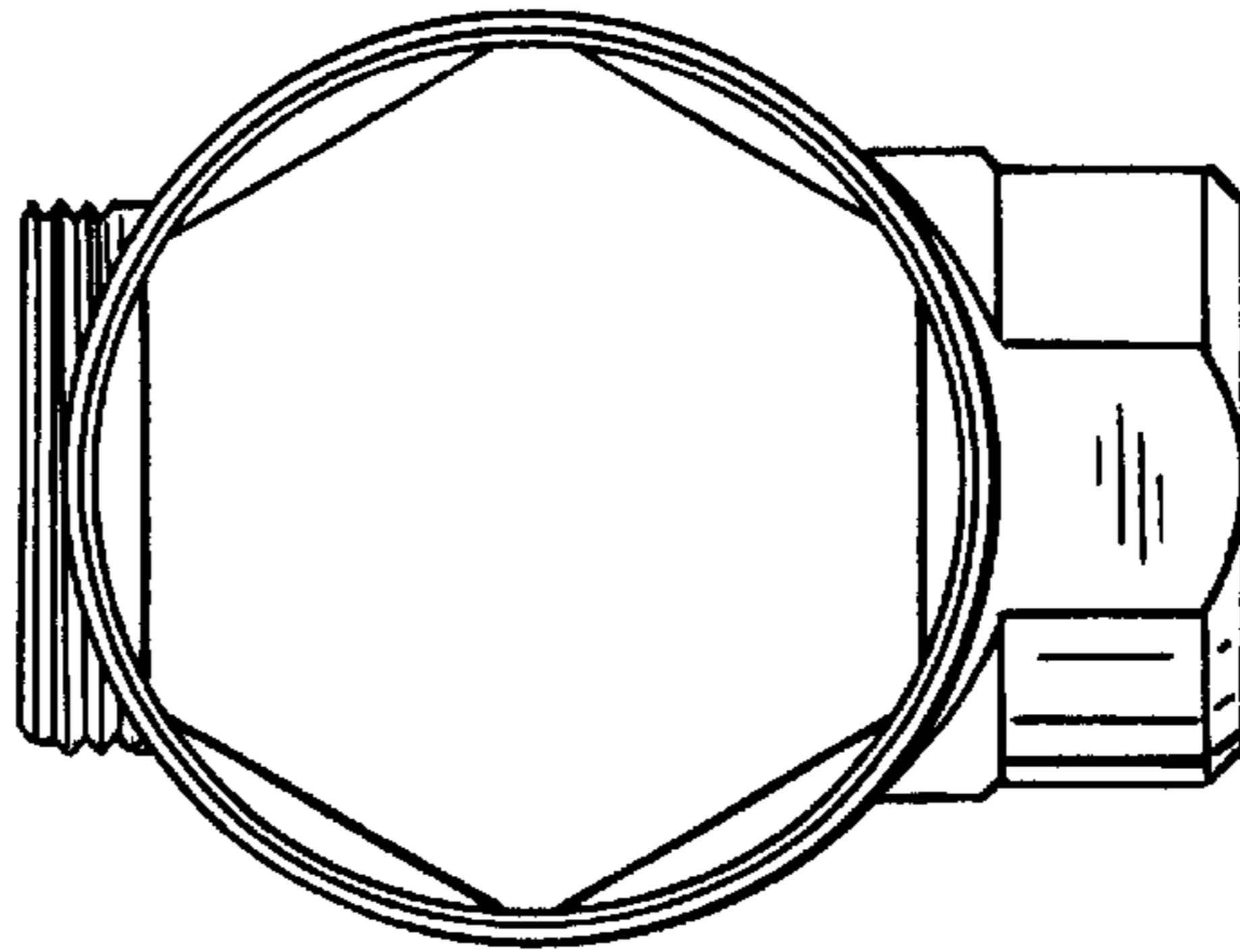


Fig. 6.