



US00D470221S

(12) **United States Design Patent** (10) **Patent No.:** **US D470,221 S**
Niemczyk (45) **Date of Patent:** **** Feb. 11, 2003**

(54) **GAS CYLINDER VALVE BODY**

D404,464 S * 1/1999 Niemczyk D23/233
D409,745 S * 5/1999 Niemczyk D24/110.6

(76) Inventor: **Andrew Niemczyk**, 11376 Sobieski,
Hamtramck, MI (US) 48212

* cited by examiner

(**) Term: **14 Years**

Primary Examiner—Nelson C. Holtje
(74) *Attorney, Agent, or Firm*—Reising, Ethington, Barnes,
Kisselle, Learman & McCulloch, PC

(21) Appl. No.: **29/154,301**

(22) Filed: **Jan. 22, 2002**

(57) **CLAIM**

(51) **LOC (7) Cl.** **23-01**

The ornamental design for a gas cylinder valve body, as shown and described.

(52) **U.S. Cl.** **D23/233**

(58) **Field of Search** D23/233, 248,
D23/249, 235; 251/127, 121; 137/318,
505.42

DESCRIPTION

(56) **References Cited**

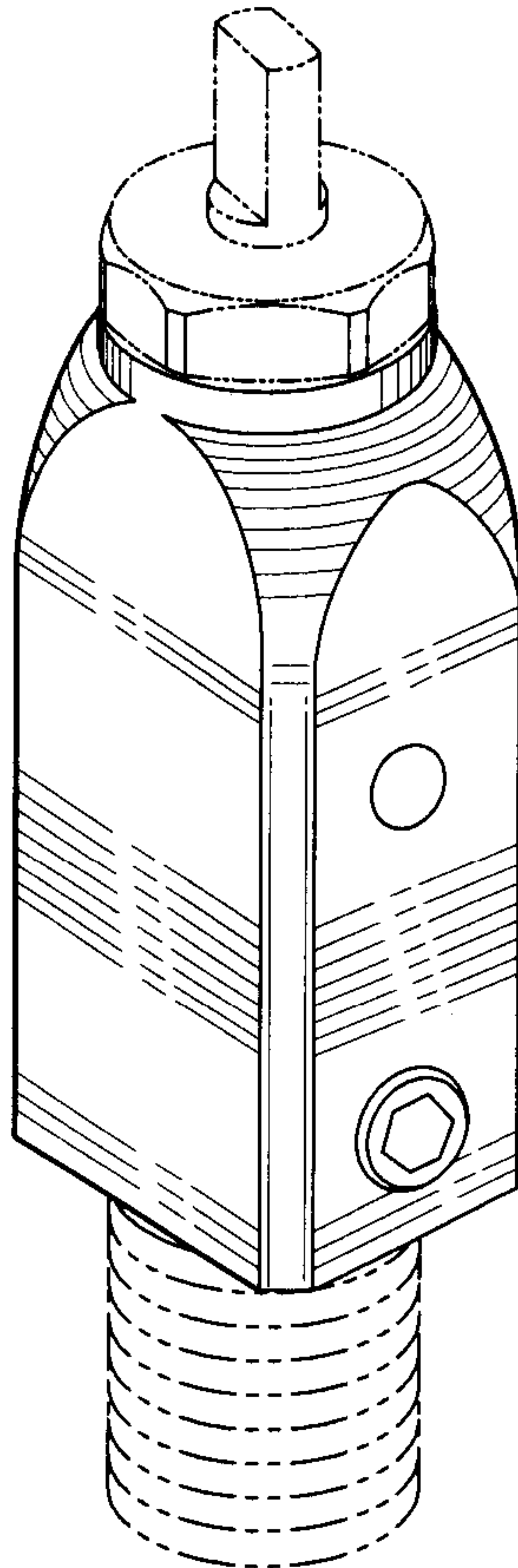
U.S. PATENT DOCUMENTS

1,168,933	A	*	1/1916	Burkley	119/72.5	X
D96,691	S	*	8/1935	Nelson	D23/247	
3,030,064	A	*	4/1962	Taylor	251/127	
3,880,399	A	*	4/1975	Luthe	251/121	
D321,241	S		10/1991	Ingle			
D363,762	S		10/1995	Pingel et al.			
D367,916	S	*	3/1996	Thomas et al.	D23/233	
5,832,947	A	*	11/1998	Niemczyk	137/68.23	

FIG. 1 is a top perspective view of a gas cylinder valve body showing my new design;
FIG. 2 is a front elevational view thereof;
FIG. 3 is a side elevational view thereof, the opposite side elevational view being identical;
FIG. 4 is a rear elevational view thereof;
FIG. 5 is a top plan view thereof; and,
FIG. 6 is a bottom plan view.

The broken line showings are for illustrative purposes only and form no part of the claimed design.

1 Claim, 1 Drawing Sheet



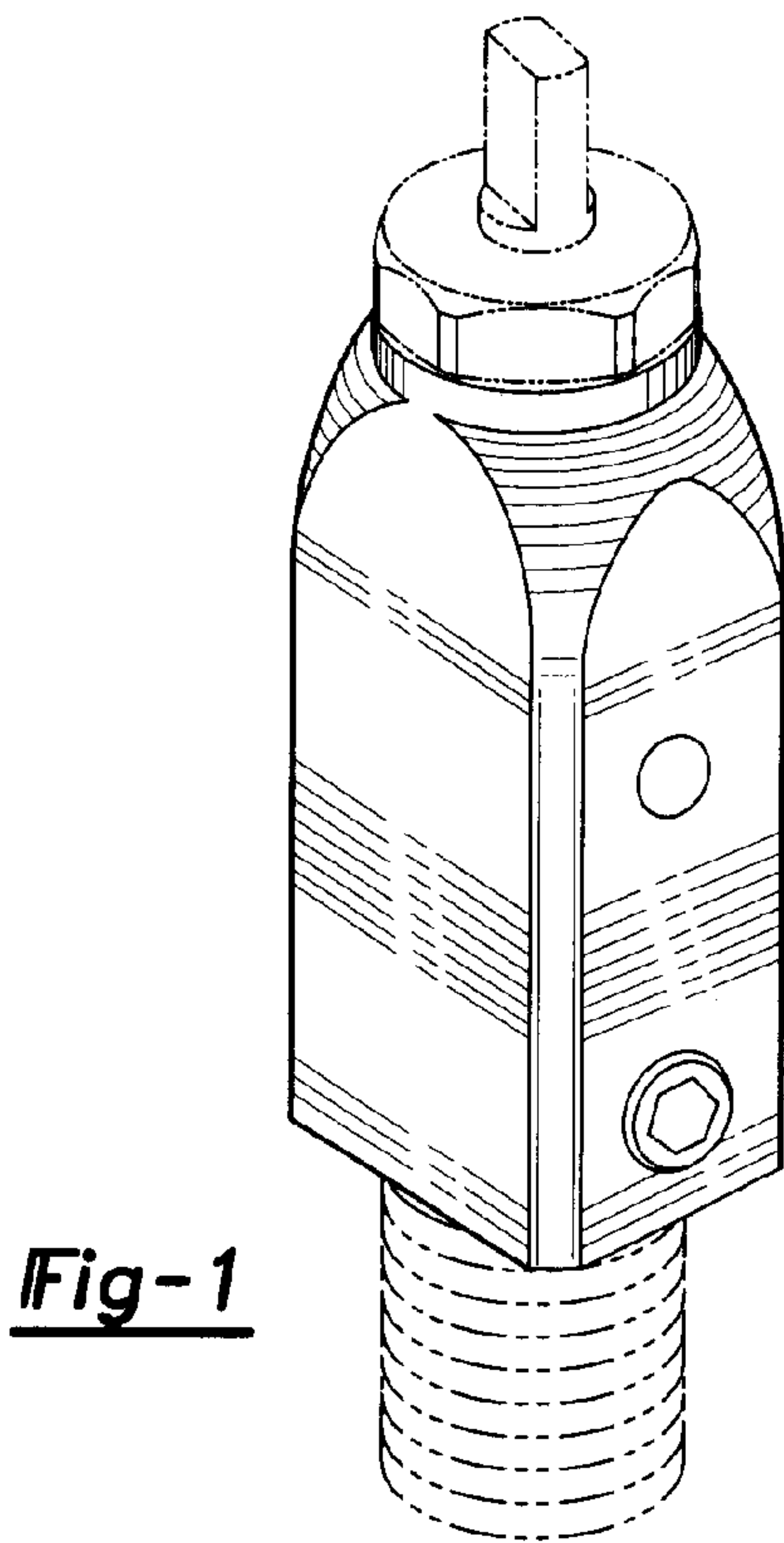


Fig-5

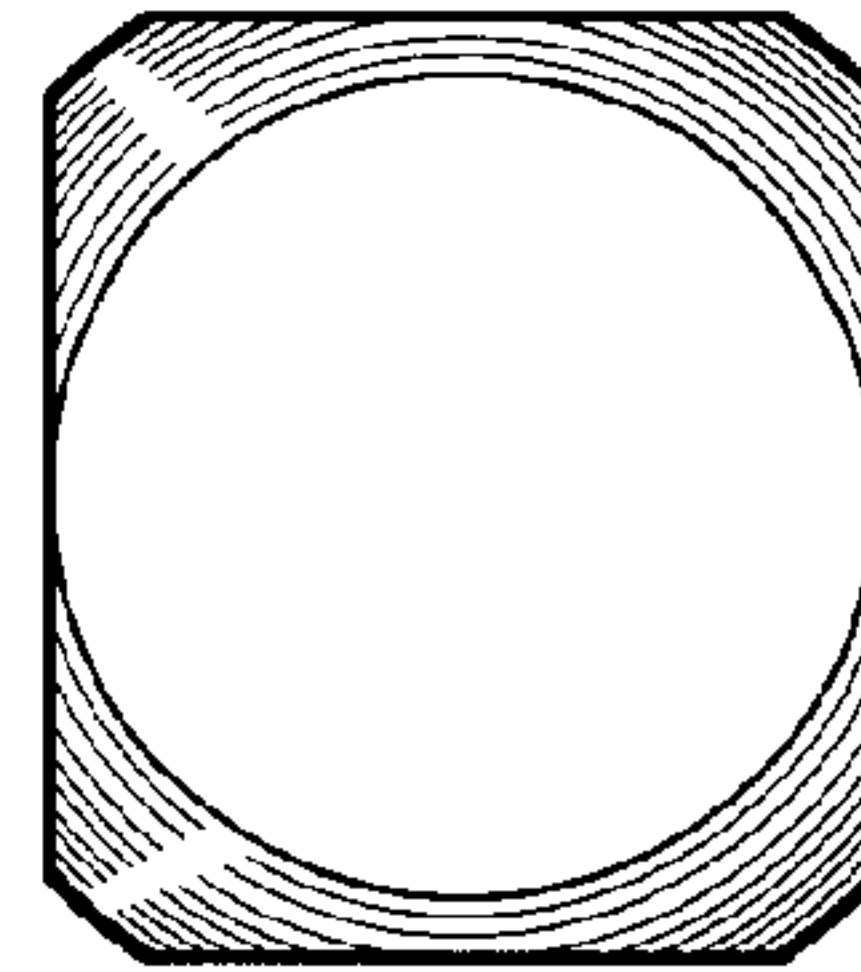


Fig-6

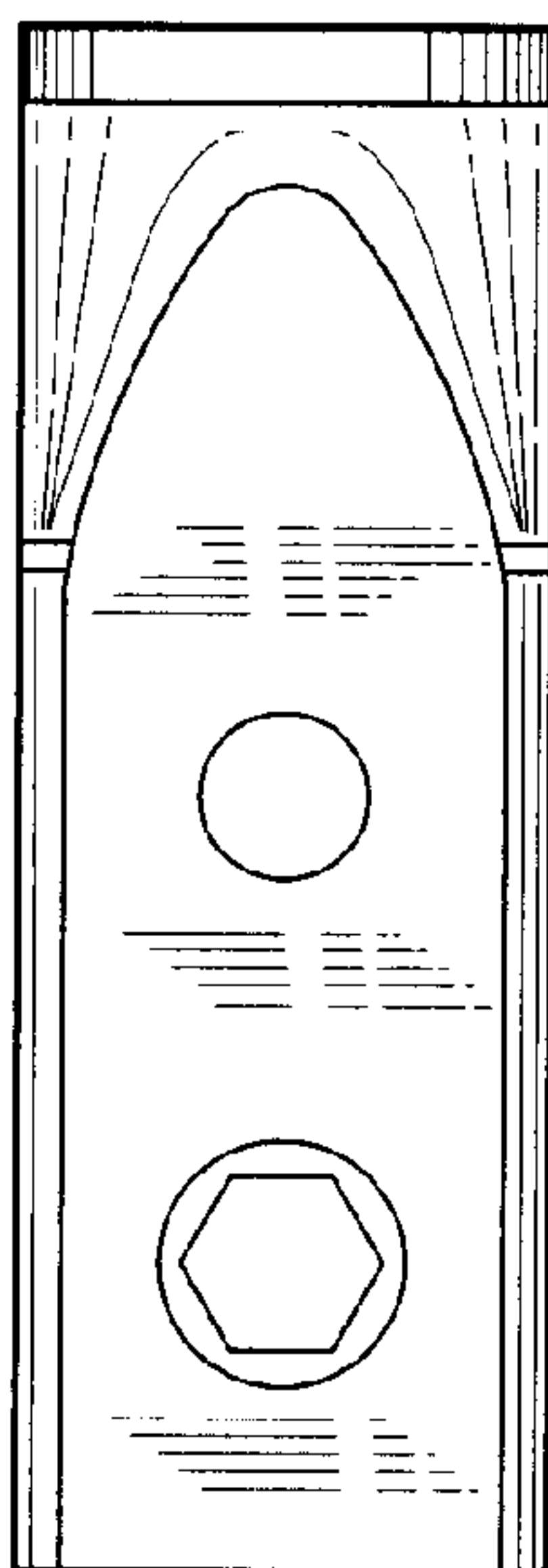
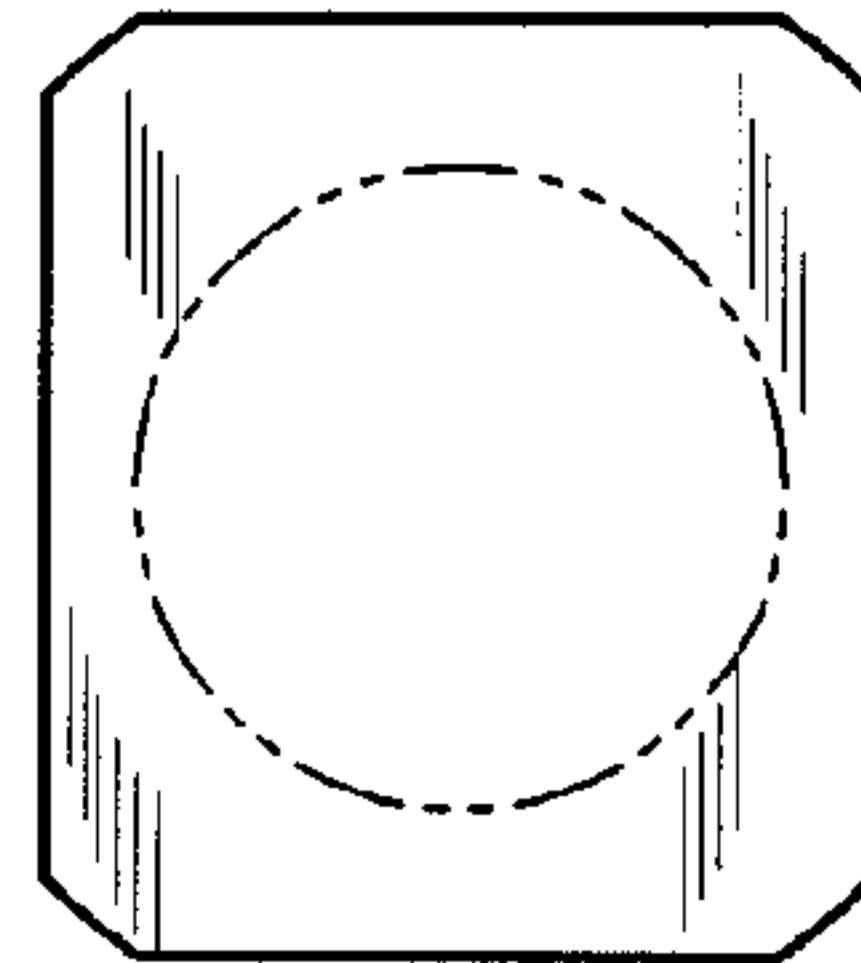


Fig-2

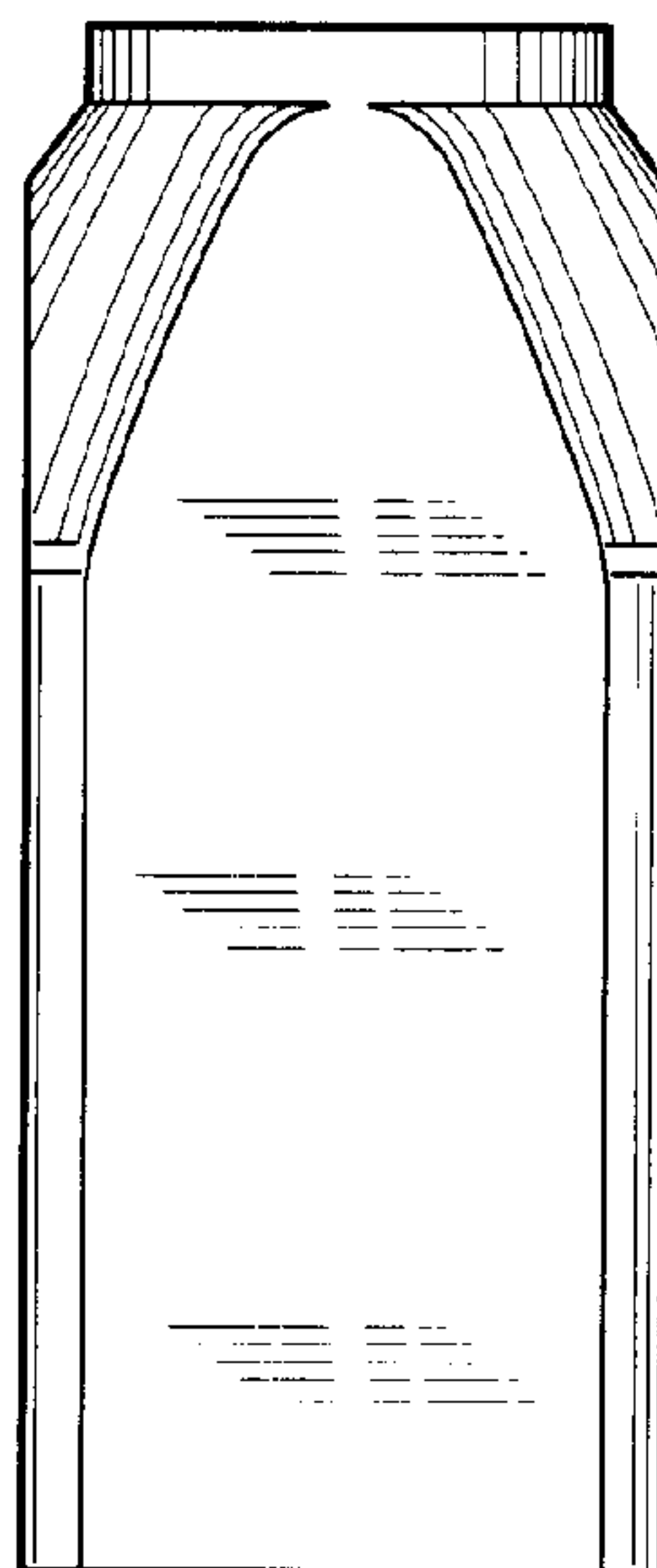


Fig-3

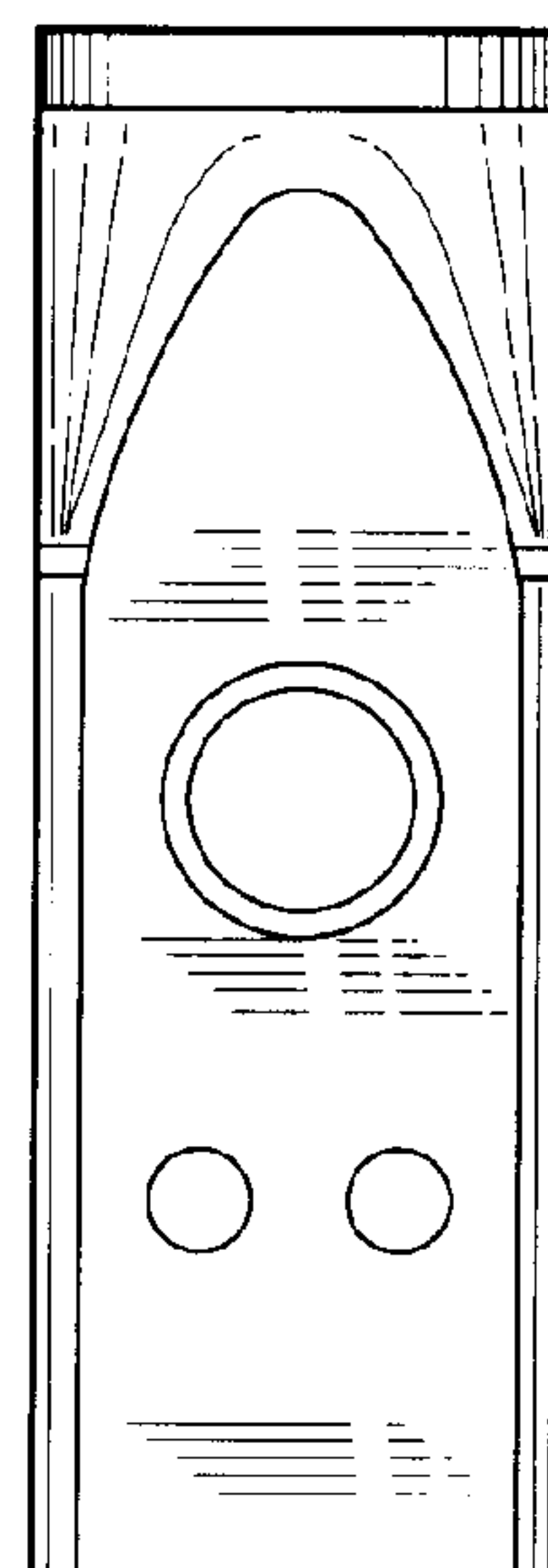


Fig-4