



US00D470219S

(12) **United States Design Patent**  
**Schweitzer**

(10) **Patent No.:** **US D470,219 S**

(45) **Date of Patent:** **\*\* Feb. 11, 2003**

(54) **HAND-HELD SHOWER**

(75) Inventor: **David W. Schweitzer**, Weston, CT  
(US)

(73) Assignee: **Alsons Corporation**, Hillsdale, MI  
(US)

(\*\*) Term: **14 Years**

(21) Appl. No.: **29/158,822**

(22) Filed: **Apr. 10, 2002**

(51) **LOC (7) Cl.** ..... **23-01**

(52) **U.S. Cl.** ..... **D23/223**

(58) **Field of Search** ..... D23/213, 223,  
D23/226, 229, 230; 239/394

(56) **References Cited**

**U.S. PATENT DOCUMENTS**

D374,272 S \* 10/1996 Fleischmann ..... D23/213

D413,157 S \* 8/1999 Ratzlaff ..... D23/229

D437,393 S \* 2/2001 Ouano et al. .... D23/229

\* cited by examiner

*Primary Examiner*—Robin V. Taylor

(74) *Attorney, Agent, or Firm*—Edgar A. Zarins; Lloyd D. Doigan

(57) **CLAIM**

The ornamental design for a hand-held shower, as shown and described.

**DESCRIPTION**

FIG. 1 is a perspective view of a hand-held shower showing my new design;

FIG. 2 is a front elevational view thereof;

FIG. 3 is a top plan view thereof;

FIG. 4 is a left side view thereof;

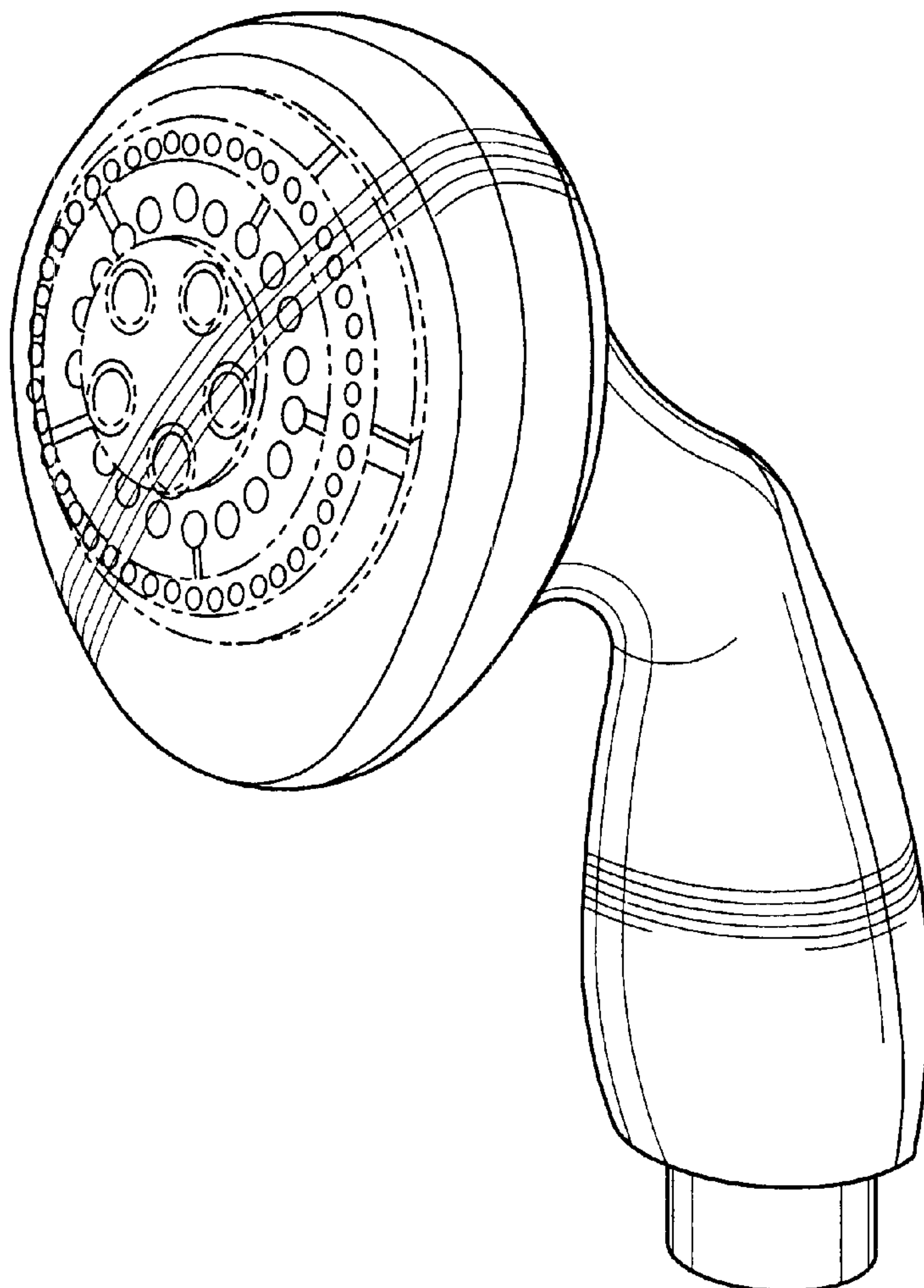
FIG. 5 is a right side view thereof;

FIG. 6 is a rear elevational view thereof; and,

FIG. 7 is a bottom plan view thereof.

The broken line showing is for illustrative purposes only and forms no part of the claimed design.

**1 Claim, 3 Drawing Sheets**



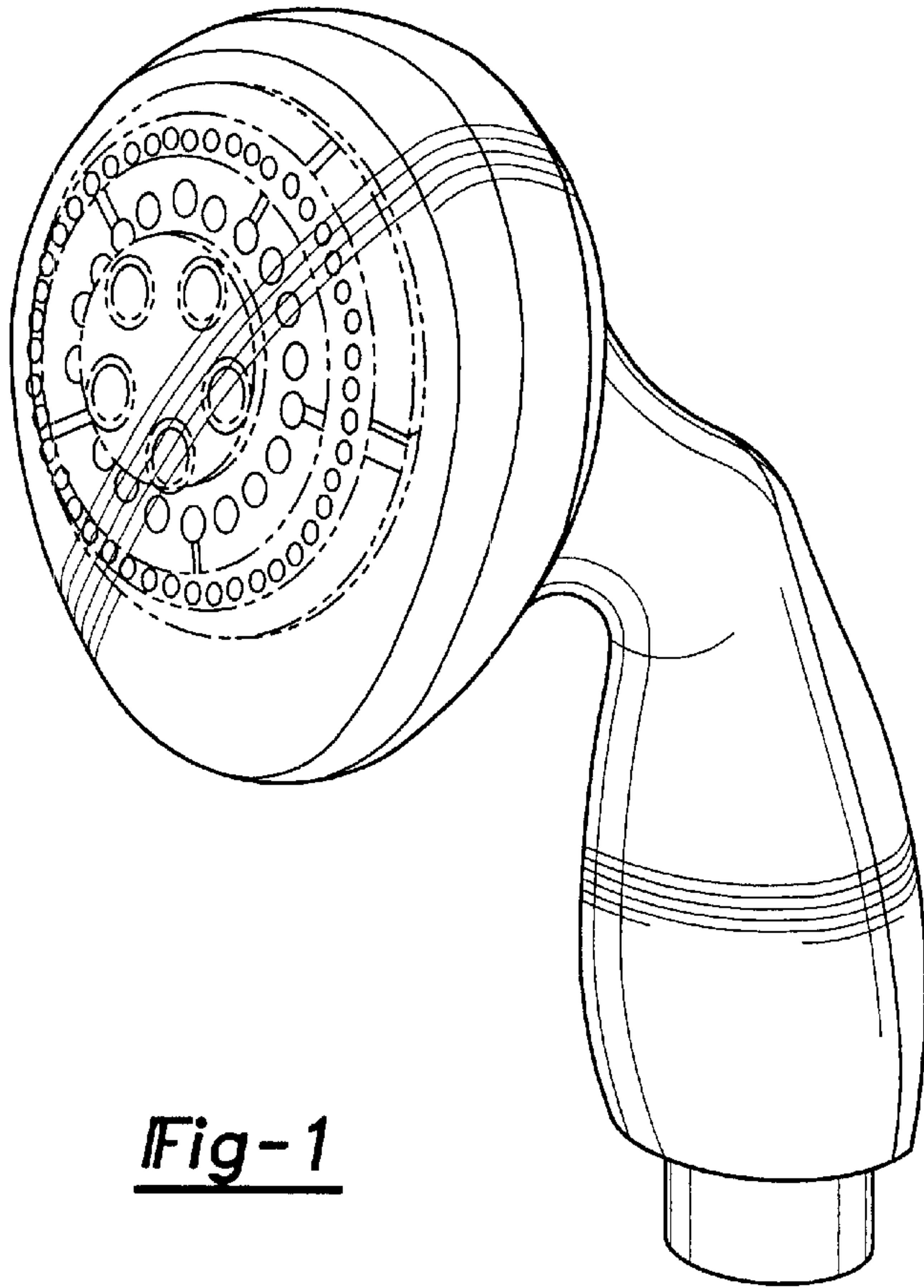


Fig-1

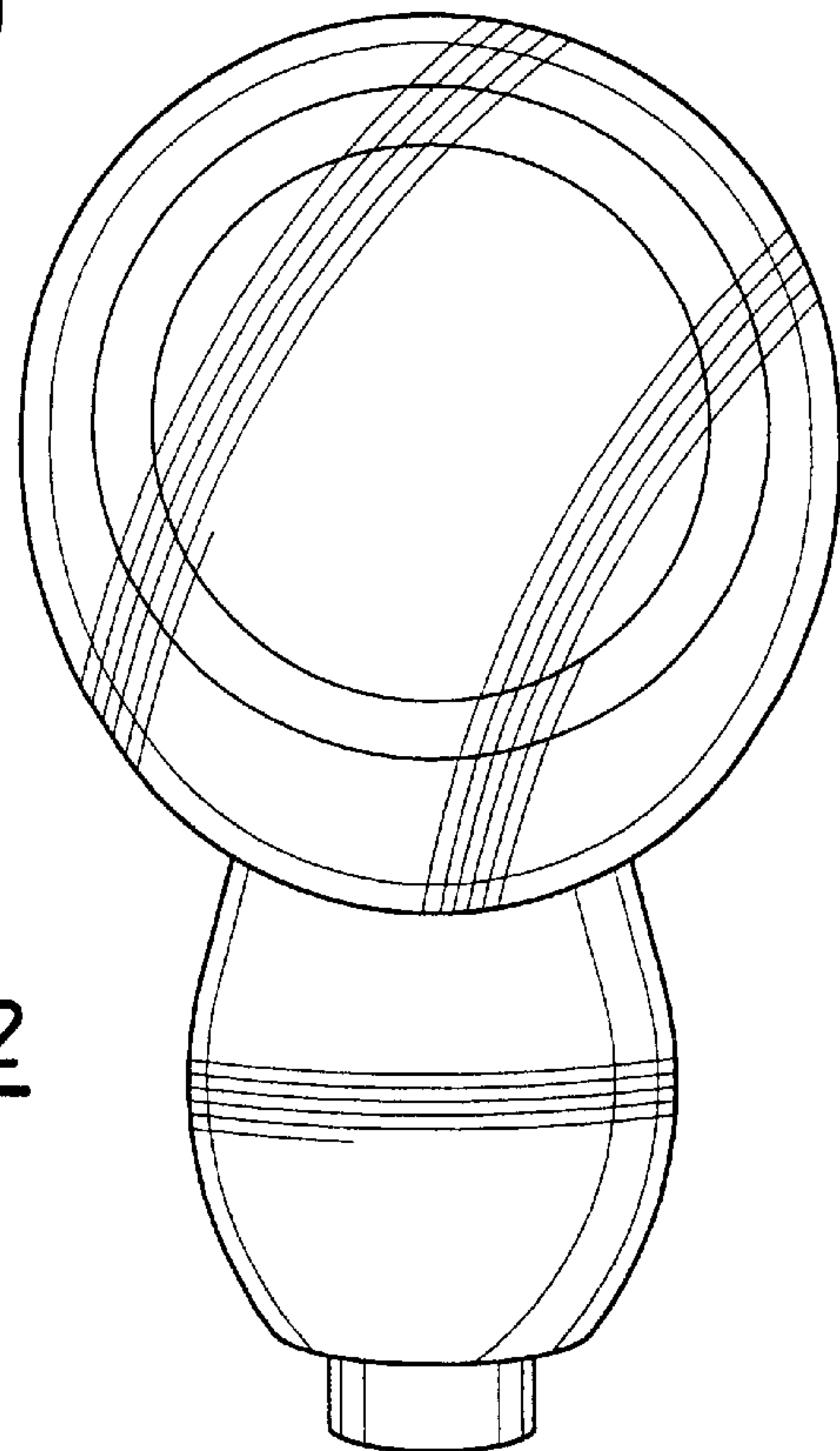


Fig-2

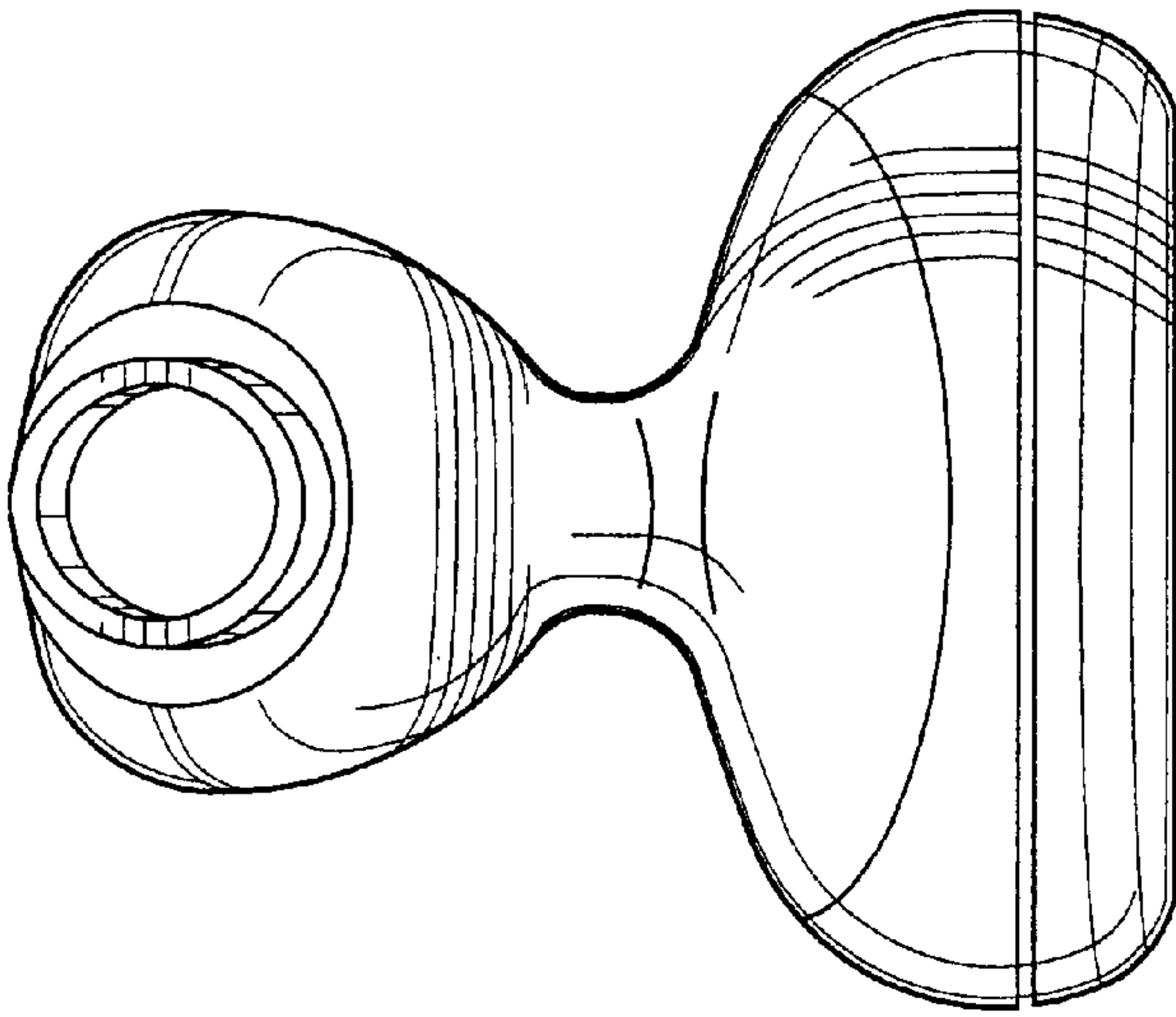


Fig-3

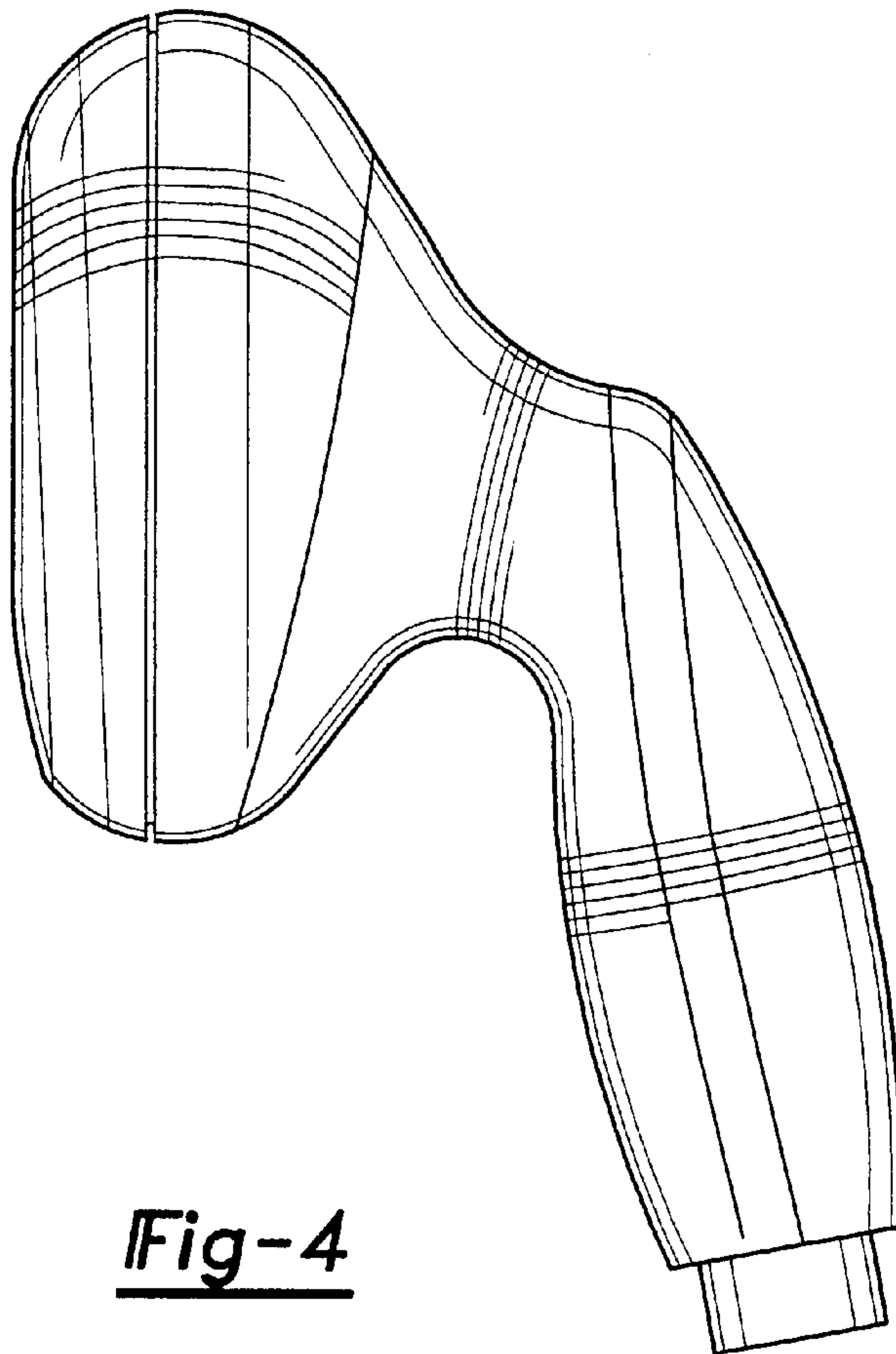


Fig-4

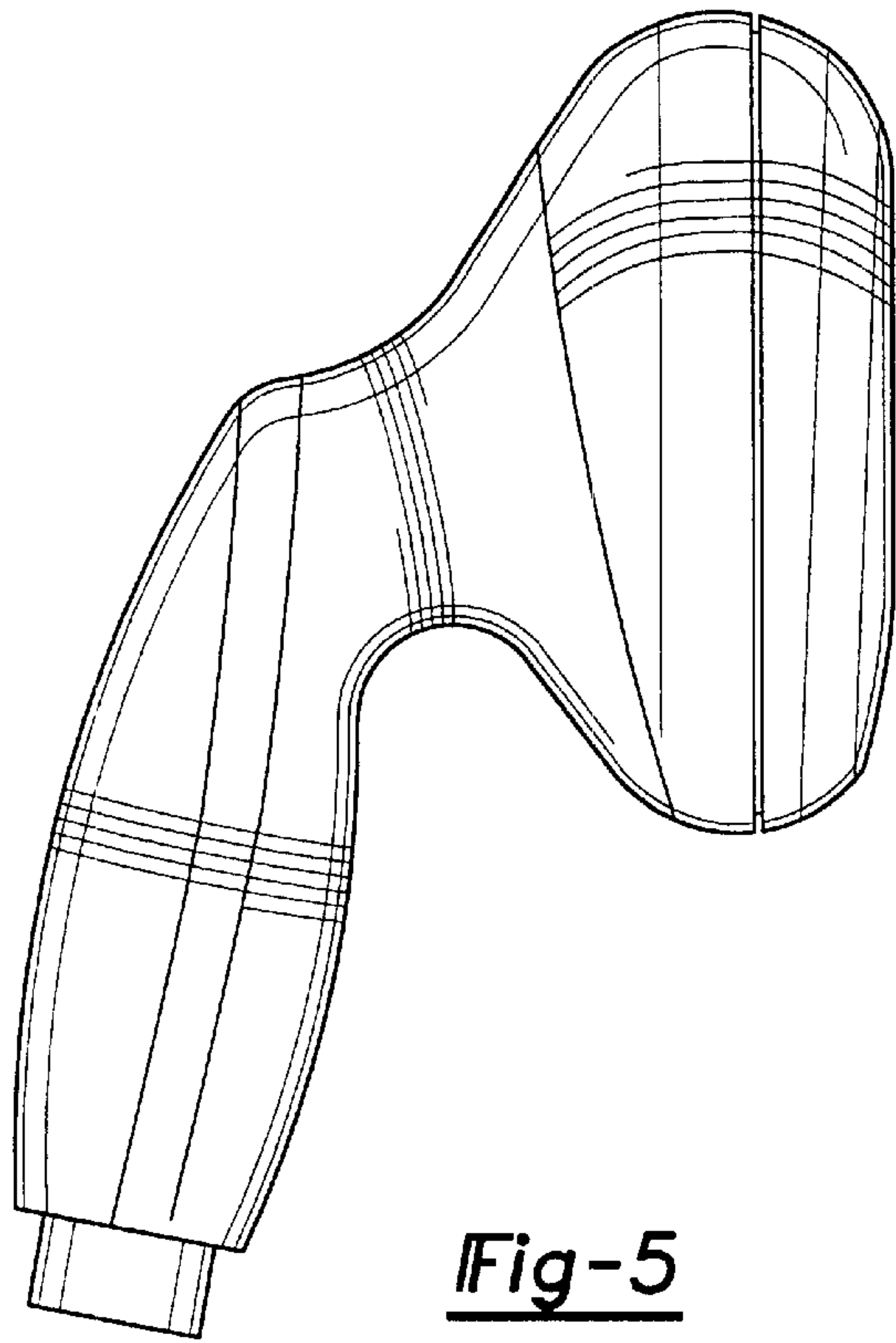


Fig-5

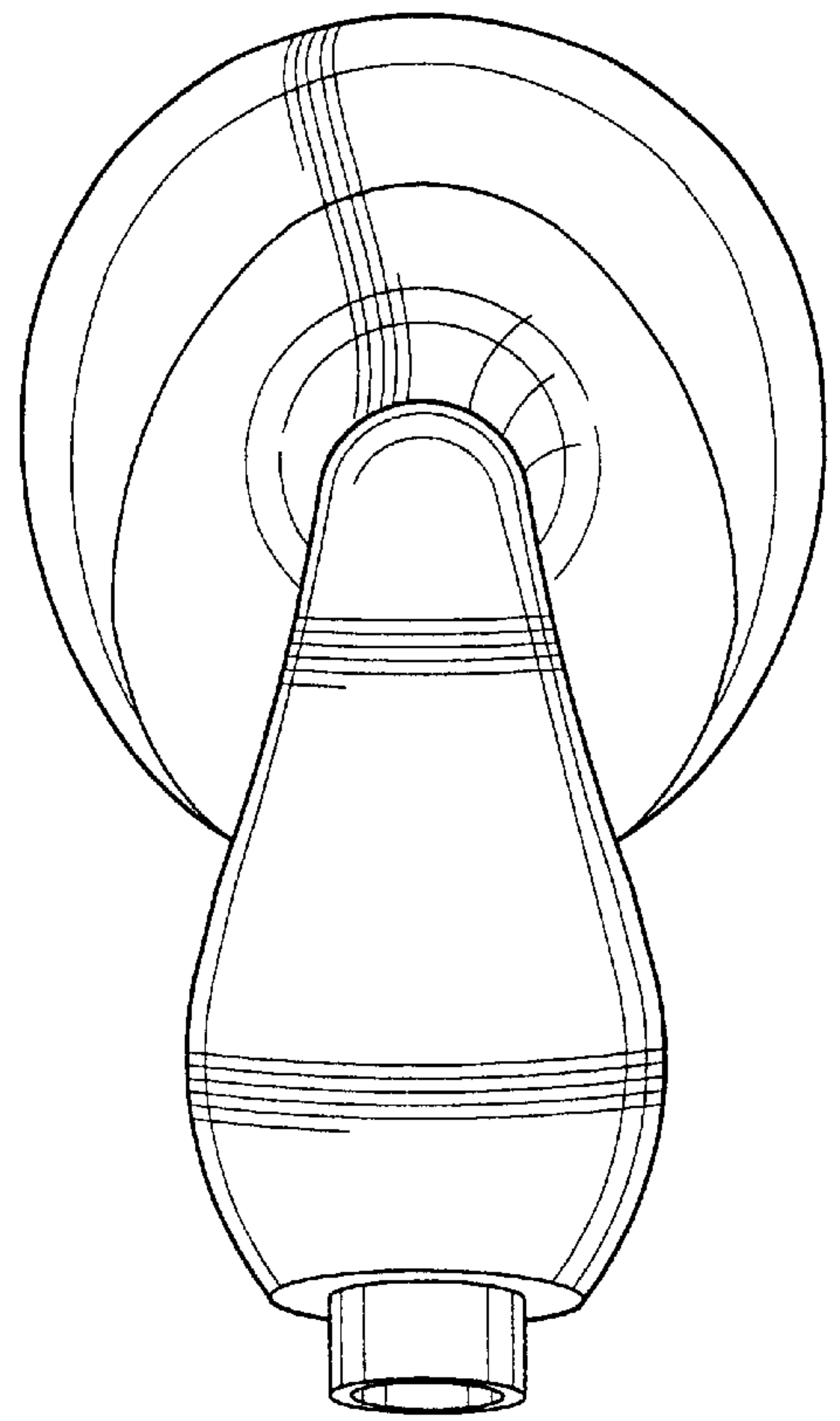


Fig-6

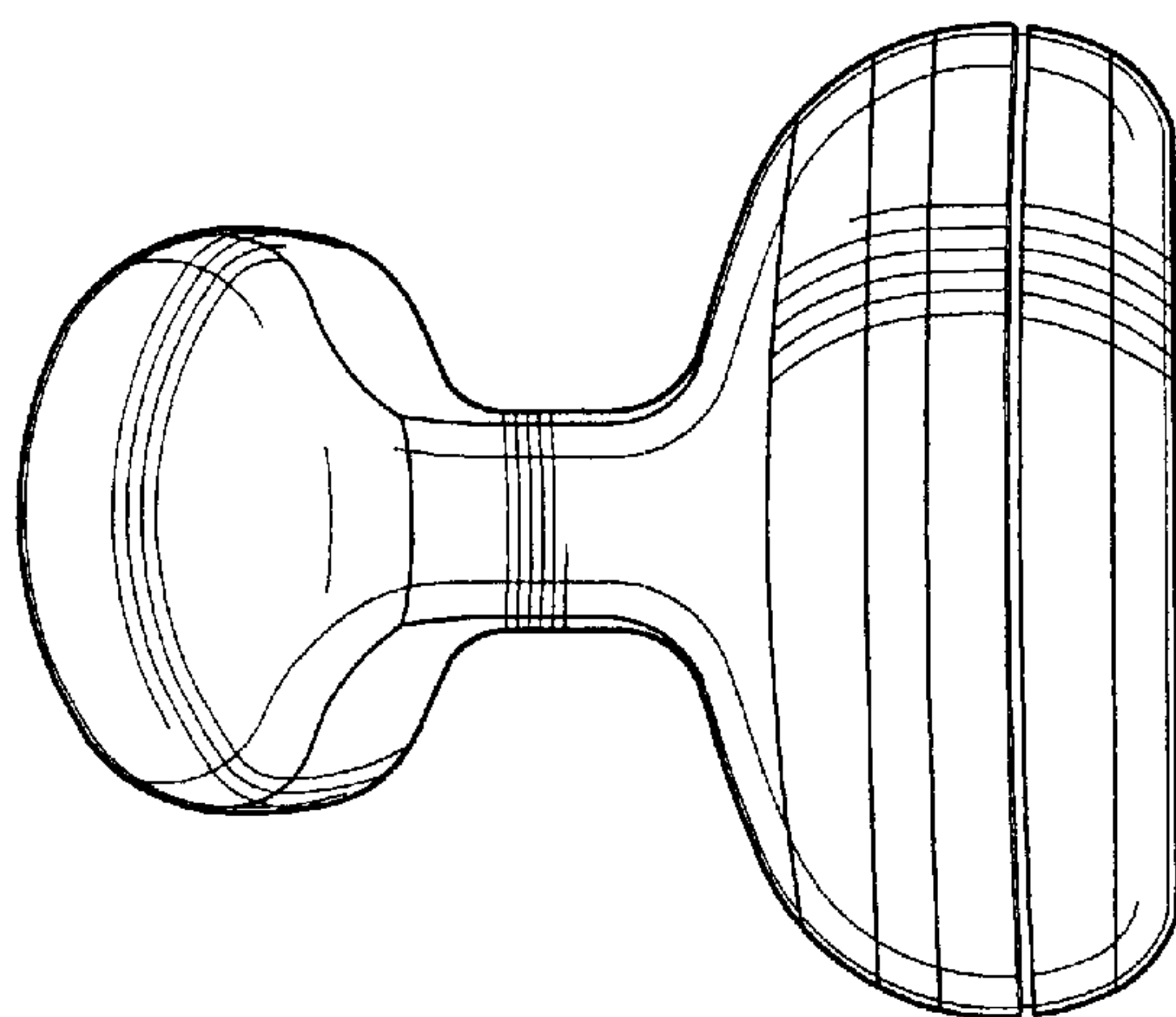


Fig-7