



US00D470218S

(12) **United States Design Patent** (10) **Patent No.:** **US D470,218 S**
Alkalay et al. (45) **Date of Patent:** **** Feb. 11, 2003**

(54) **PLASTIC OSCILLATING SPRINKLER**

Primary Examiner—Robin V. Taylor
(74) *Attorney, Agent, or Firm*—Baker Botts L.L.P.

(75) Inventors: **Uri Alkalay**, Even Yehuda (IL);
Coustantin Presman, Raanana (IL)

(57) **CLAIM**

(73) Assignee: **Lego Irrigation Ltd.**, Natanya (IL)

The ornamental design for a plastic oscillating sprinkler, as shown and described.

(**) Term: **14 Years**

DESCRIPTION

(21) Appl. No.: **29/155,125**

FIG. 1 is a top perspective view of the present design of an oscillating sprinkler;

(22) Filed: **Feb. 4, 2002**

FIG. 2 is a top view of the present design of an oscillating sprinkler;

(30) **Foreign Application Priority Data**

Aug. 8, 2001 (IL) 35472

FIG. 3 is a bottom view of the present design of an oscillating sprinkler;

(51) **LOC (7) Cl.** **23-01**

(52) **U.S. Cl.** **D23/216**

FIG. 4 is a left side elevation view of the present design of an oscillating sprinkler;

(58) **Field of Search** D23/213, 214,
D23/216; 239/240–242

FIG. 5 is a right side elevation view of the present design of an oscillating sprinkler;

(56) **References Cited**

U.S. PATENT DOCUMENTS

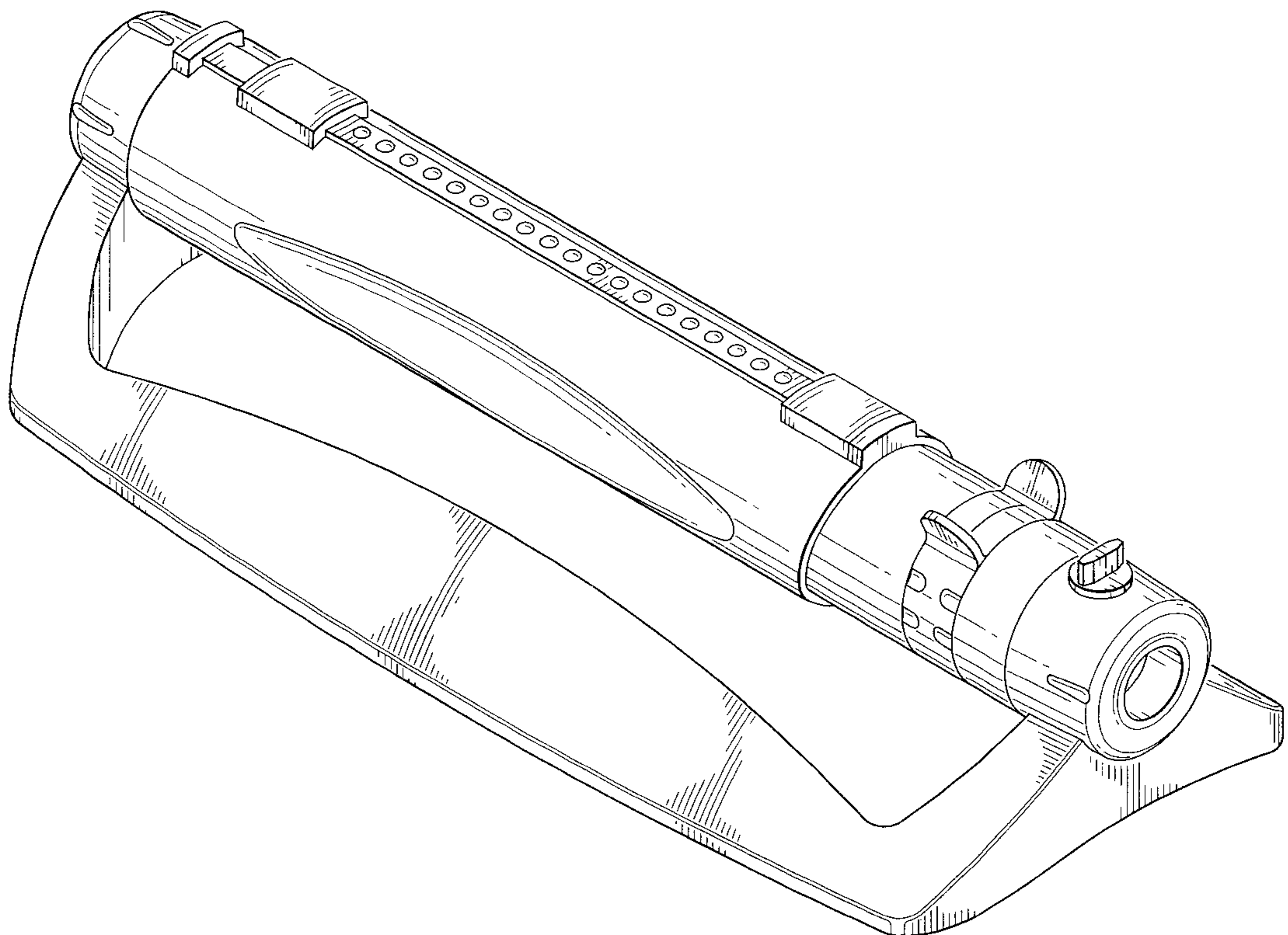
- D355,476 S * 2/1995 Schon D23/214
- D415,555 S * 10/1999 Kuo D23/214
- D421,639 S * 3/2000 Clivio D23/214
- D440,629 S * 4/2001 Guo D23/216

FIG. 6 is a front elevation plan view of the present design of an oscillating sprinkler; and,

FIG. 7 is a rear elevation plan view of the present design of an oscillating sprinkler.

* cited by examiner

1 Claim, 4 Drawing Sheets



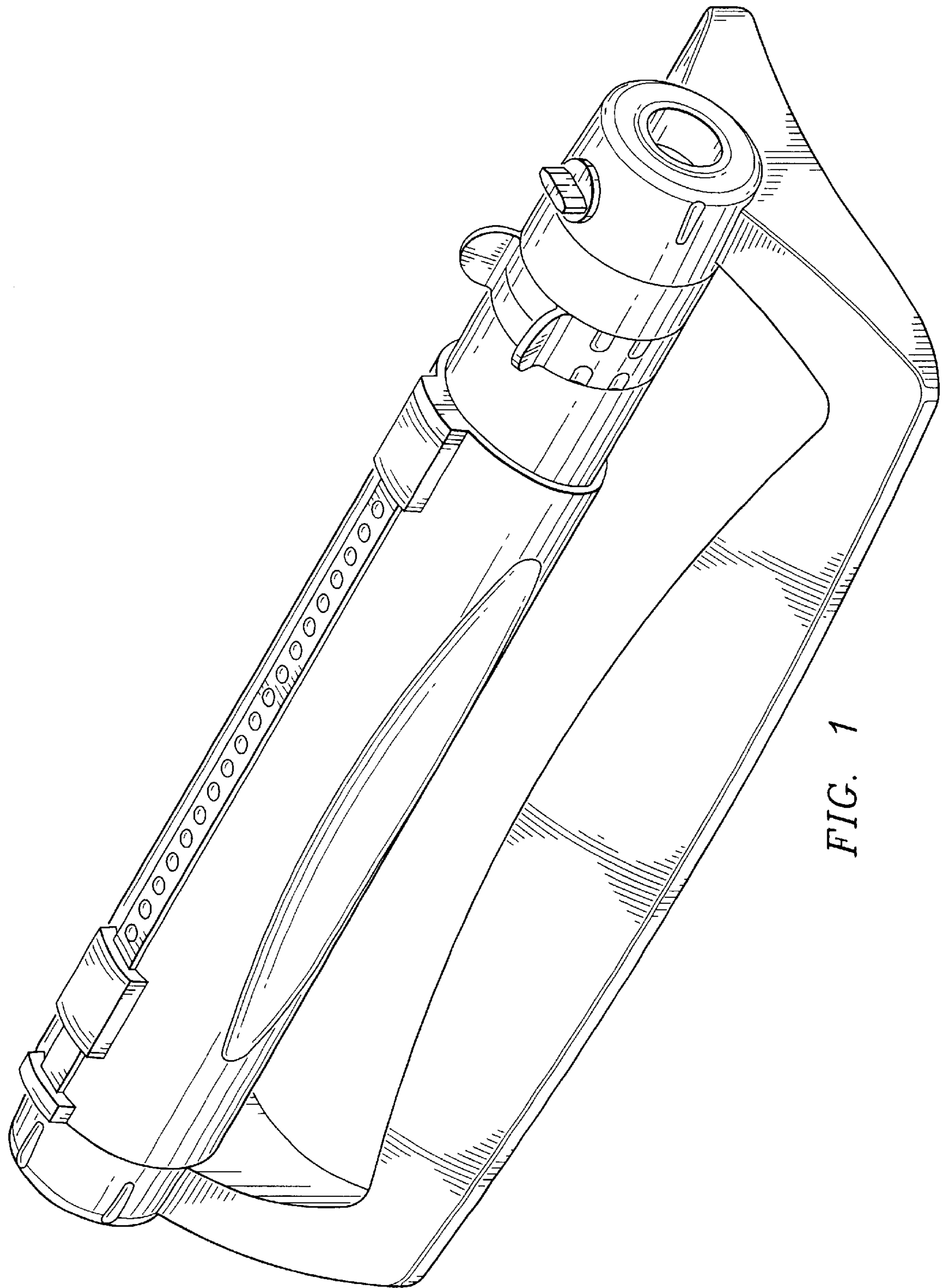


FIG. 1

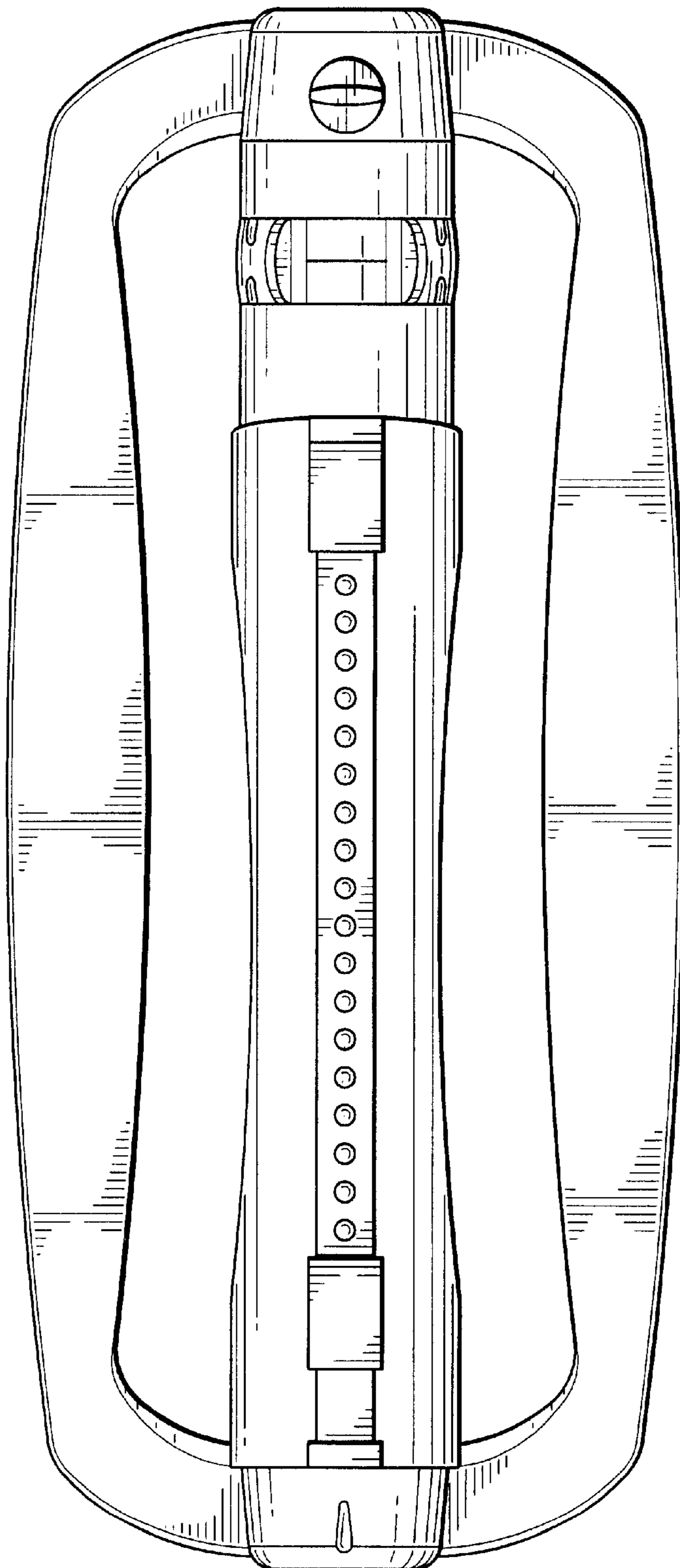


FIG. 2

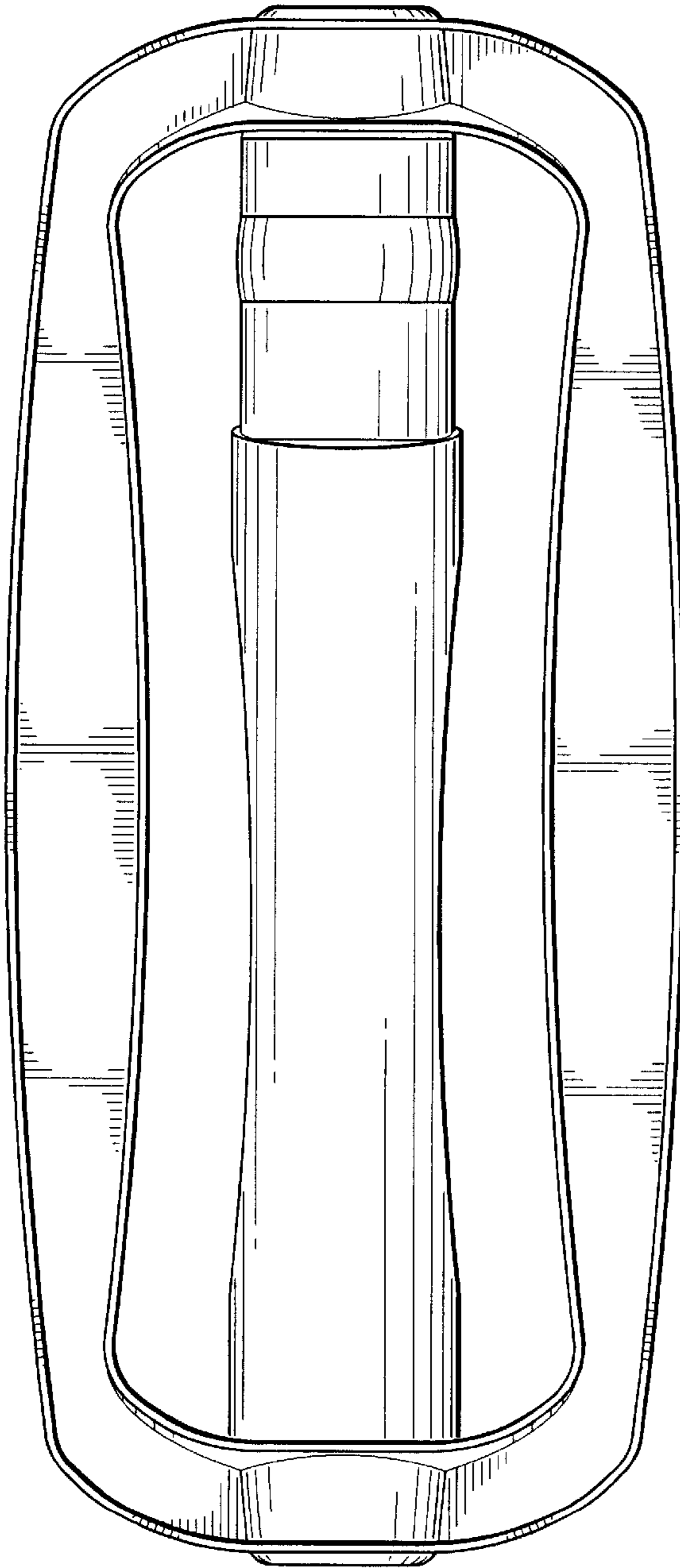


FIG. 3

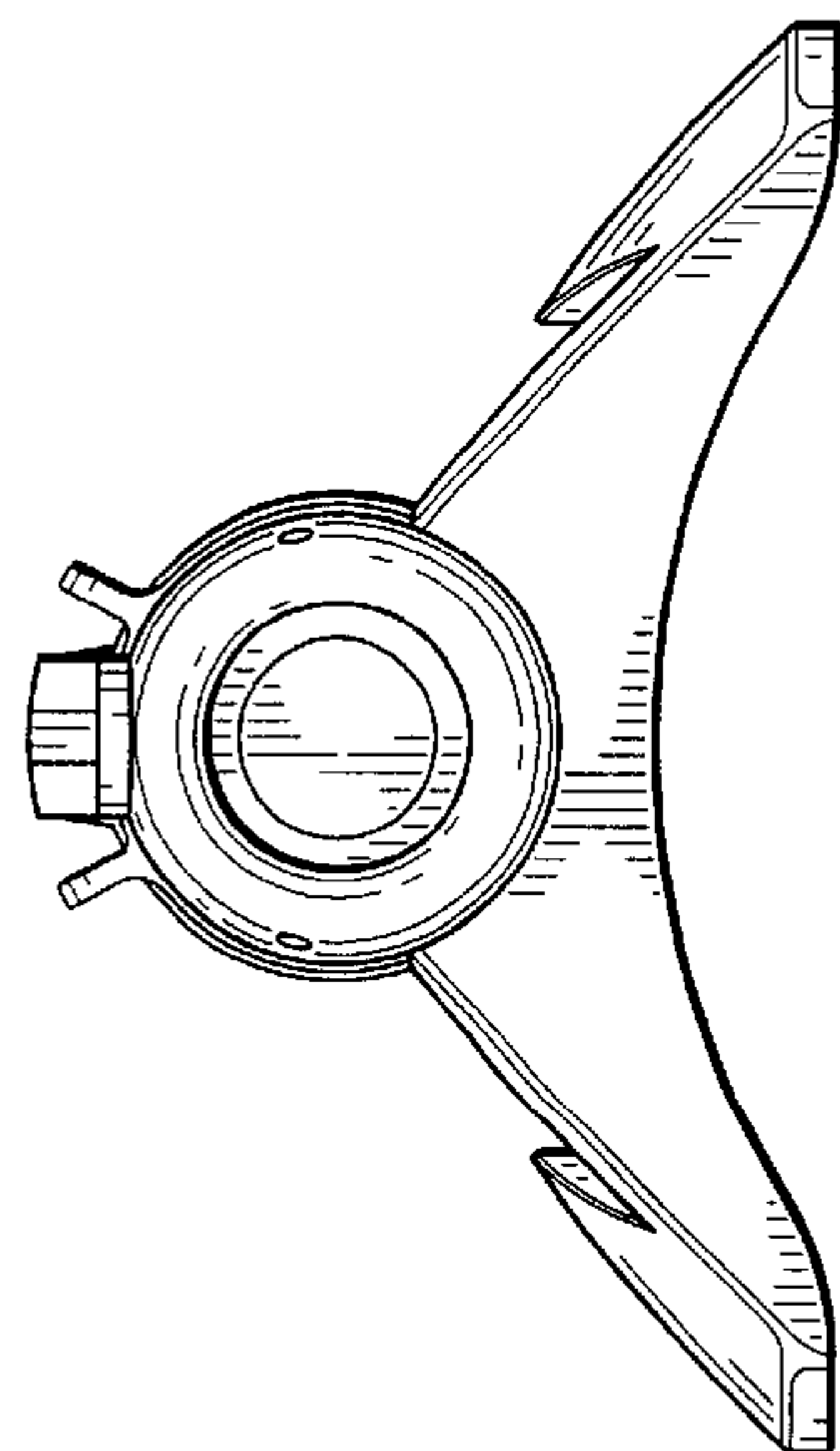


FIG. 6

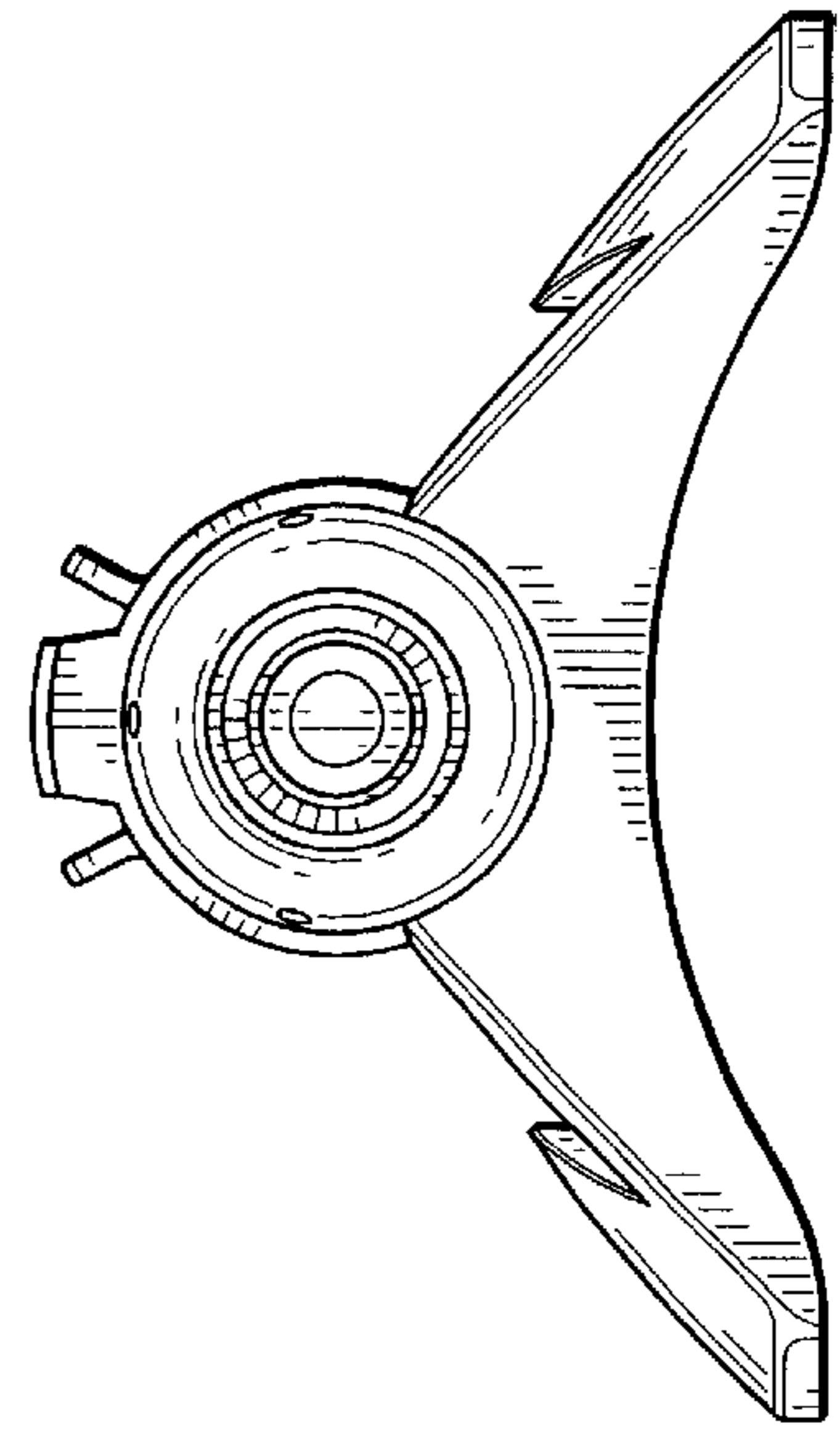


FIG. 7

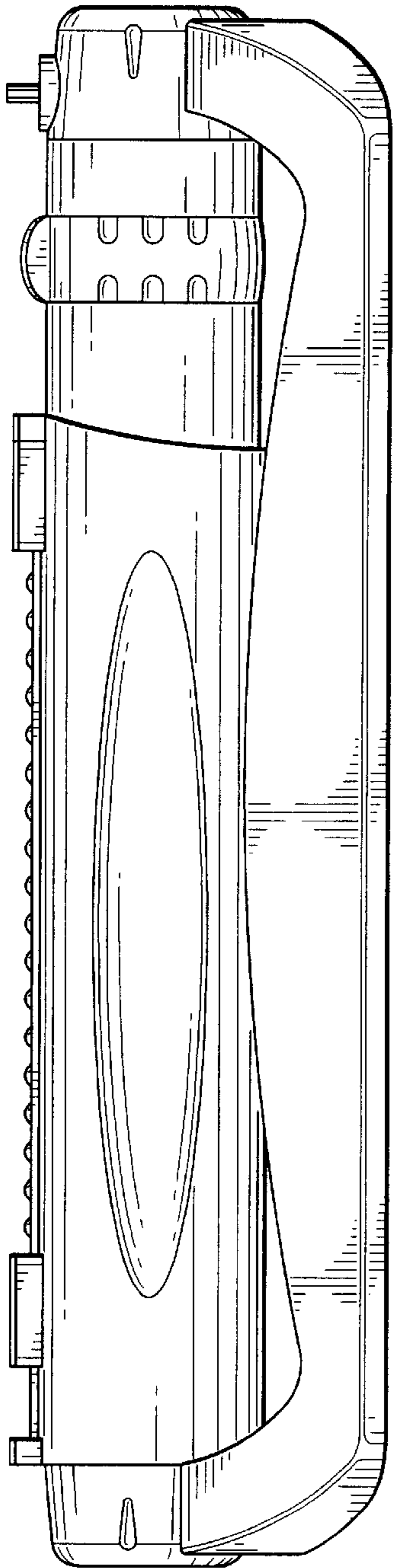


FIG. 4

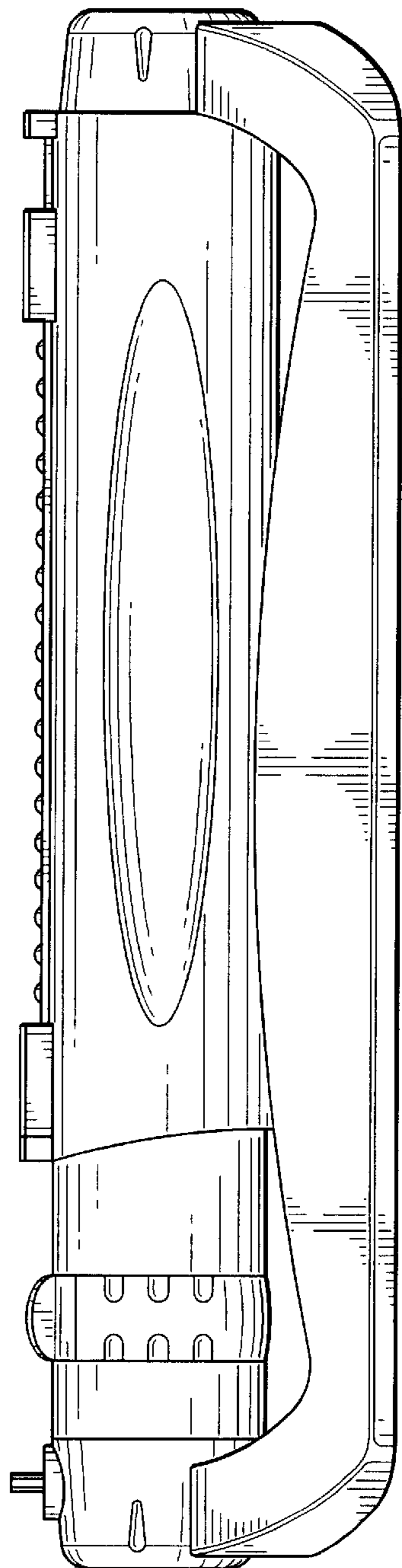


FIG. 5